



US00D798151S

(12) **United States Design Patent** (10) **Patent No.:** **US D798,151 S**
Vivas (45) **Date of Patent:** **** Sep. 26, 2017**

(54) **PERFUME BOTTLE**
(71) Applicant: **Penhaligon's Limited**, London (GB)
(72) Inventor: **Josep Vivas**, Barcelona (ES)
(73) Assignee: **PENHALIGON'S LIMITED**, London (GB)
(**) Term: **15 Years**
(21) Appl. No.: **29/561,398**
(22) Filed: **Apr. 15, 2016**

D375,559 S 11/1996 Baxter
D377,903 S 2/1997 du Grenier et al.
D378,897 S 4/1997 du Grenier et al.
D416,366 S * 11/1999 Dunbar D21/617
D430,291 S 8/2000 Jansen et al.
D435,450 S 12/2000 Eisenbarth
D442,301 S 5/2001 Klett et al.
D519,330 S 4/2006 Bodum
D555,002 S 11/2007 Lloyd et al.
D559,113 S 1/2008 Brown et al.
D572,142 S * 7/2008 Baldwin D9/611
D596,950 S 7/2009 Nevins et al.
D628,492 S * 12/2010 Kim D21/617
D640,569 S * 6/2011 Alongi D9/503

(Continued)

(30) **Foreign Application Priority Data**

Oct. 16, 2015 (EM) 002825463
(51) **LOC (10) Cl.** **09-07**
(52) **U.S. Cl.**
USPC **D9/451**; D9/611; D9/691; D9/503
(58) **Field of Classification Search**
USPC D3/270, 271.1-271.4; D7/510, 514-520,
D7/599, 604, 613, 619.2, 623, 628;
D9/600-613, 686, 690-691, 500-503,
D9/441, 451, 549, 556-558; 206/457,
206/459.5, 527; 215/381-384, 400;
D21/617
CPC B65D 5/4258; B65D 81/60; B65D 81/365;
B65D 81/366; B65D 81/368; B65D
2203/00; B65D 2203/02
See application file for complete search history.

(56) **References Cited**

U.S. PATENT DOCUMENTS

D224,998 S * 10/1972 Sayre D9/611
D306,832 S * 3/1990 Horne D9/451
D329,962 S 10/1992 Hestehave et al.
D337,055 S 7/1993 Medlycott
D347,573 S * 6/1994 Bishop D9/611
D368,431 S 4/1996 Desgrippes et al.
D368,860 S 4/1996 Mansau

OTHER PUBLICATIONS

Serge Lutens Fourreau Noir, posted on kafkaesqueblog.com, posted Nov. 21, 2013, no production date given, [online], [site visited May 6, 2017], Available from Internet, <URL: <http://www.kafkaesqueblog.com/2013/11/21/serge-lutens-fourreau-noir-dark-delectable-magic/>>.

(Continued)

Primary Examiner — Sandra Morris
(74) *Attorney, Agent, or Firm* — Day Pitney LLP

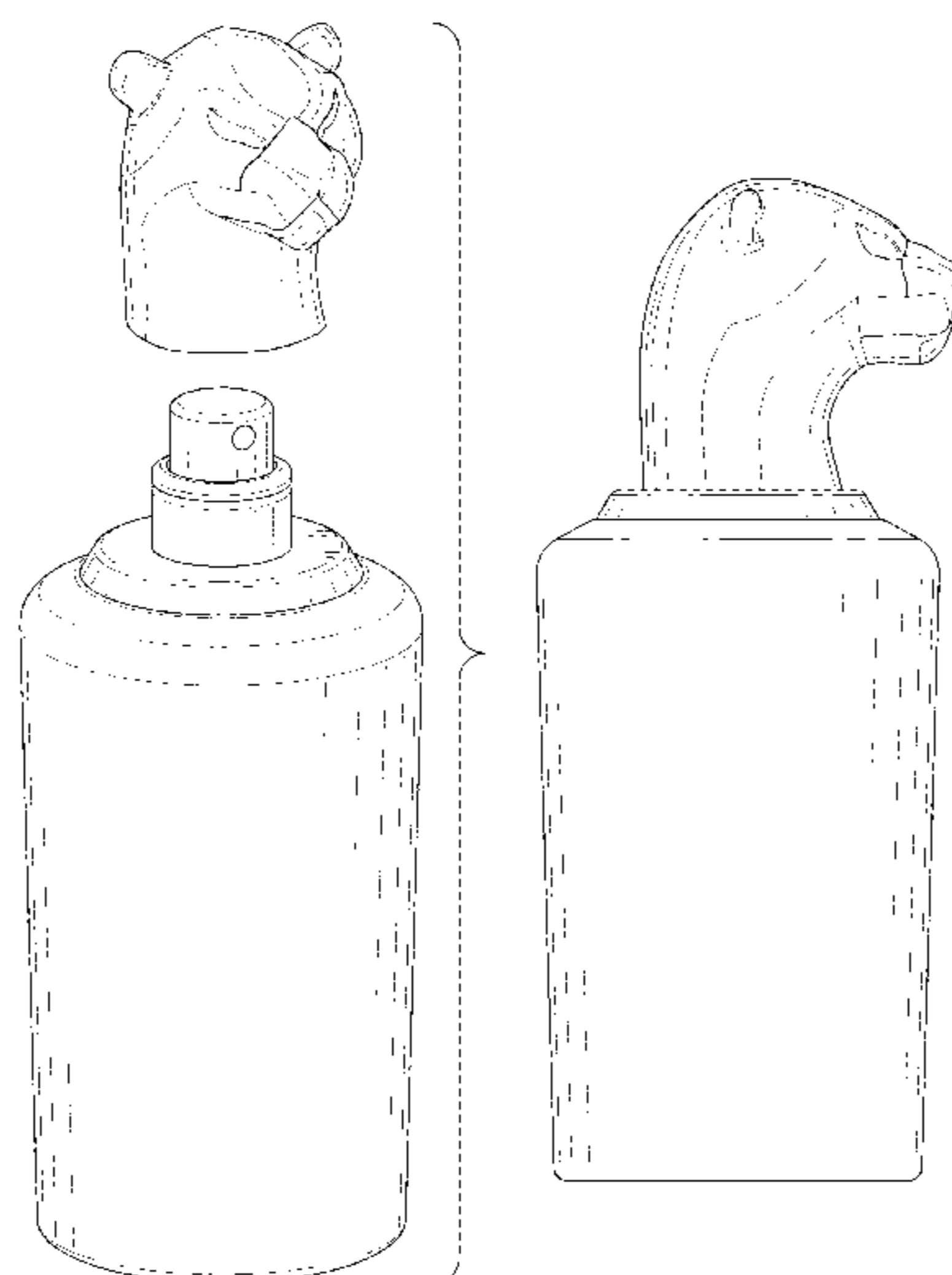
(57) **CLAIM**

The ornamental design for a perfume bottle, as shown and described.

DESCRIPTION

FIG. 1 is a front exploded view of my ornamental design for a perfume bottle with cap removed from the bottle;
FIG. 2 is a front elevational view thereof;
FIG. 3 is rear elevational view thereof;
FIG. 4 is right side view thereof;
FIG. 5 is left side view thereof;
FIG. 6 is top plan view thereof; and,
FIG. 7 is a bottom plan view thereof.

1 Claim, 6 Drawing Sheets



(56)

References Cited

U.S. PATENT DOCUMENTS

D641,630 S	7/2011	Reuter	
D648,984 S	11/2011	Gullickson et al.	
D680,443 S *	4/2013	You	D9/691
D691,886 S	10/2013	Bourguignon	
D712,272 S *	9/2014	Veletakos	D9/601
D727,742 S	4/2015	Jacobs et al.	
D744,845 S	12/2015	O'Donahue	
D752,991 S *	4/2016	Ober	D9/691
D757,561 S	5/2016	Yourist	
D758,194 S	6/2016	Yourist	
D772,718 S	11/2016	Lee	
D773,311 S	12/2016	Park	
D773,938 S	12/2016	Weber	
D784,768 S	4/2017	Lee et al.	

OTHER PUBLICATIONS

Waterford Crystal Scent or Perfume Bottle Lafford Vanity Silver Plated, posted on ebay.com, no posted date given, no production date given, [online], [site visited May 6, 2017], Available from Internet, <URL: <http://www.ebay.com/itm/Waterford-Crystal->

Scent-or-Perfume-Bottle-Lafford-Vanity-Silver-Plated-Top-EUC-/132168428119>.

Fancy by Jessica Simpson, posted on vbestreviews.com, no posted date given, no production date given, [online], [site visited May 6, 2017], Available from Internet, <URL: <https://www.vbestreviews.com/top-10-best-smelling-perfume-women/>>.

First Extreme Fig Tree, posted on boutiquesobijoux.com, no posted date given, no production date given, [online], [site visited May 6, 2017], Available from Internet, <URL: <http://www.boutiquesobijoux.com/l-artisan-parfumeur/premier-figuier-extreme.html>>.

USPTO's Notice of Allowance and Allowance, including Notice of References, issued in related design U.S. Appl. No. 29/561,375, dated May 17, 2017.

Guerlain Aqua Allegoria Flora Rosa : Perfume Review by Victoria in New Perfume Launches, Perfume Reviews, Jul. 13, 2015. URL: <http://boisdejasmin.com/2015/07/guerlain-aqua-allegoria-flora-rosa-perfume-review.html>.

Related design U.S. Appl. No. 29/561,394, filed Apr. 15, 2016.

Related design U.S. Appl. No. 29/561,402, filed Apr. 15, 2016.

Related design U.S. Appl. No. 29/561,408, filed Apr. 15, 2016.

Related design U.S. Appl. No. 29/561,375, filed Apr. 15, 2016.

* cited by examiner

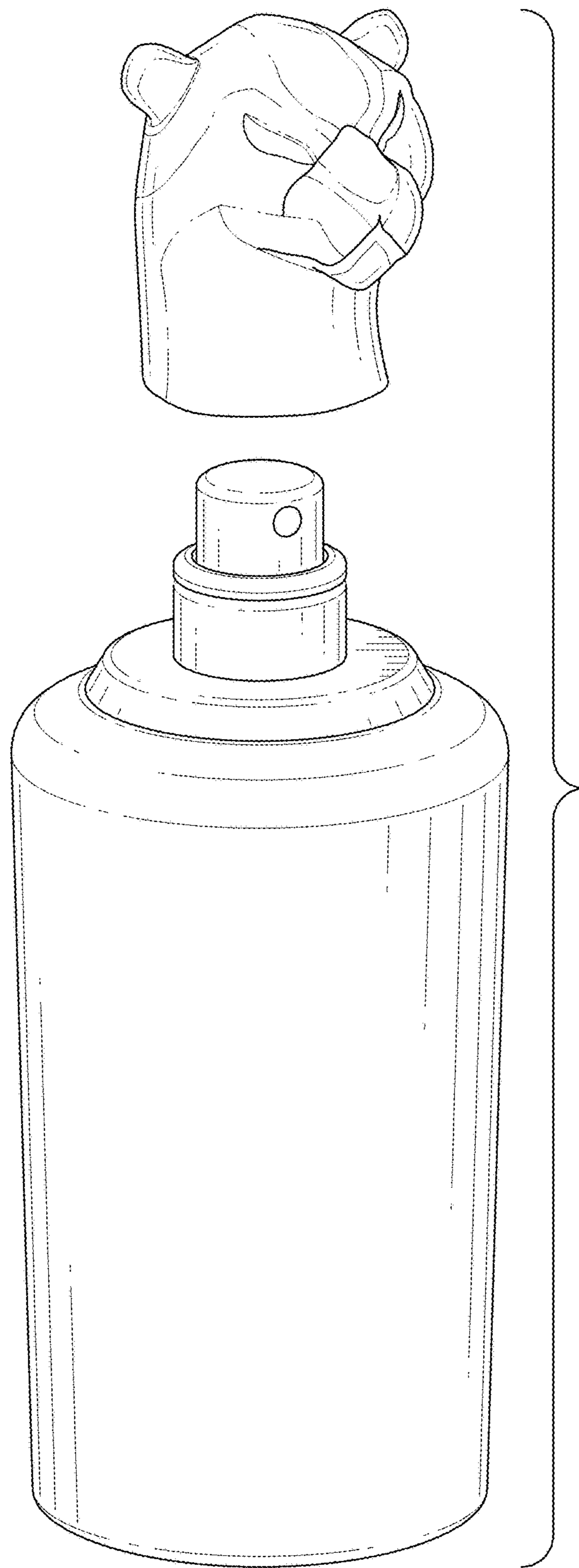


FIG. 1

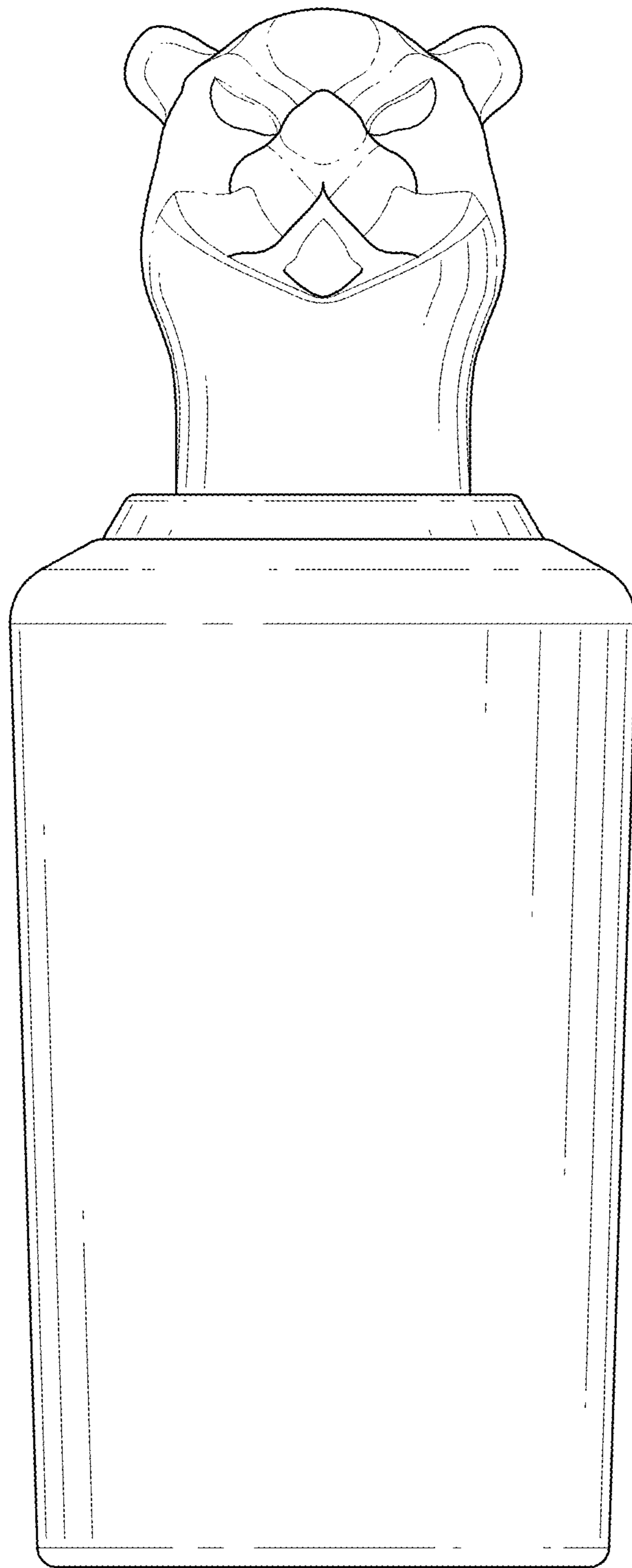


FIG. 2

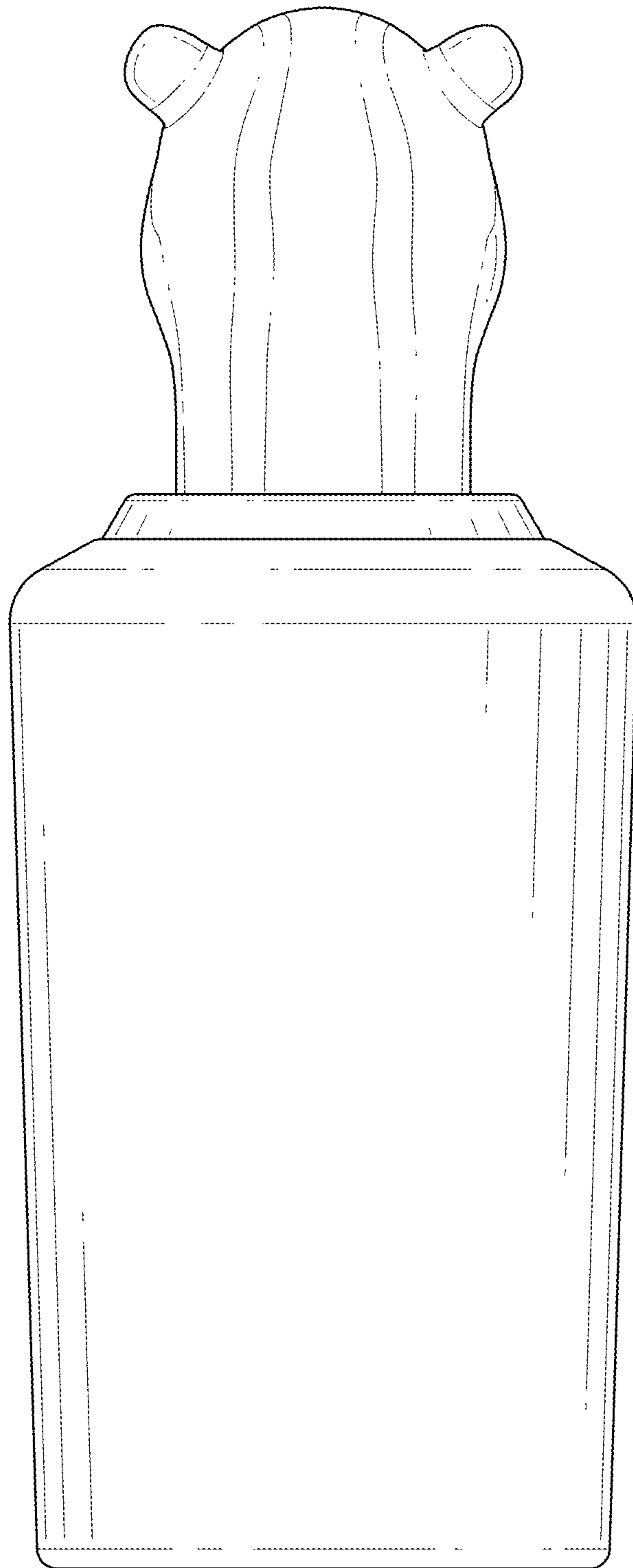


FIG. 3

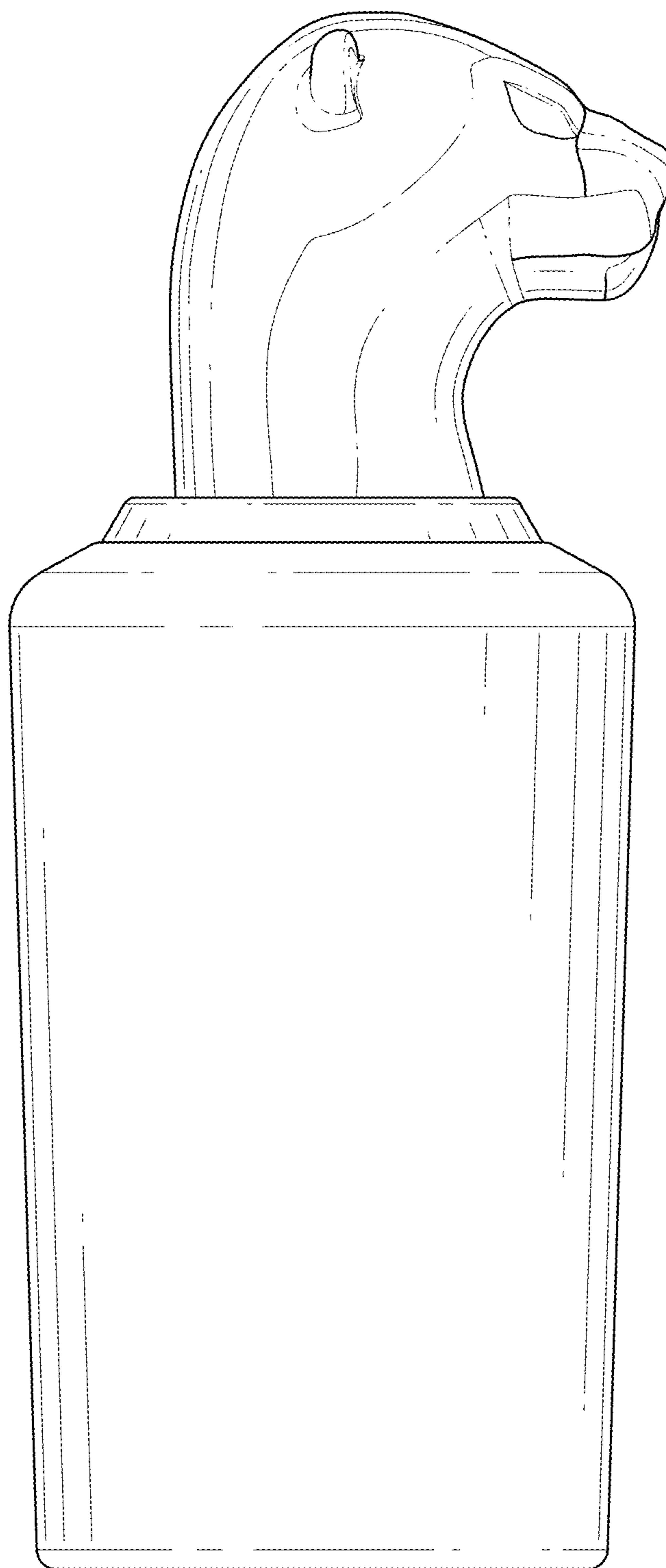


FIG.4

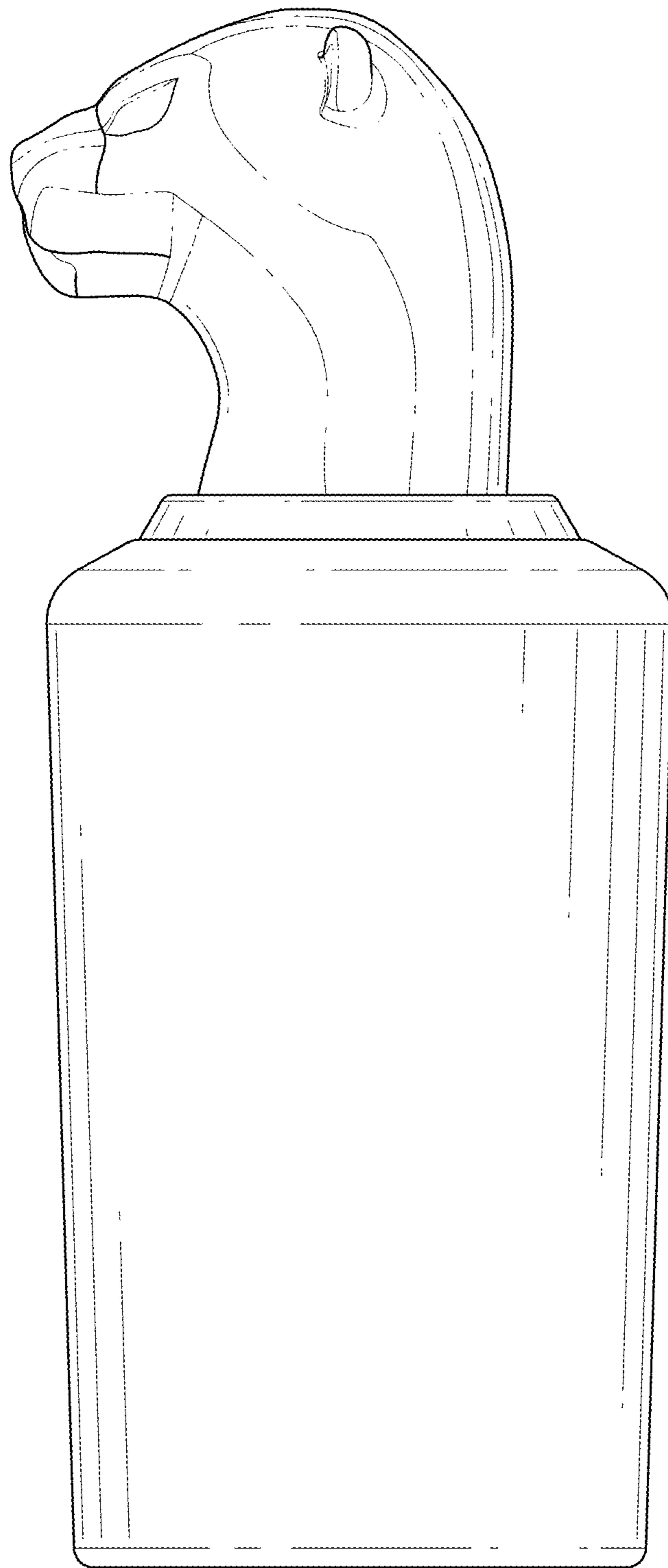


FIG. 5

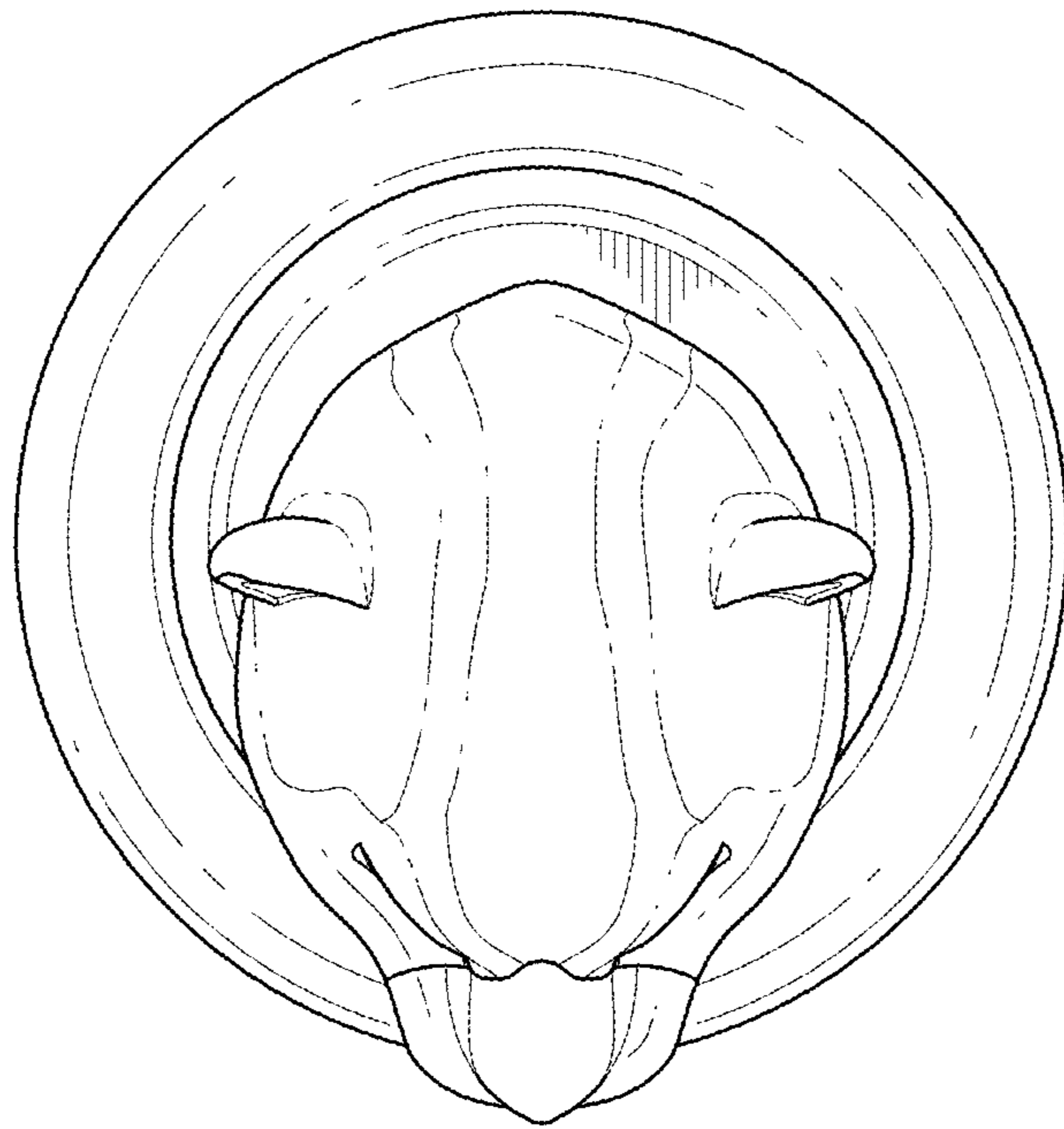


FIG. 6

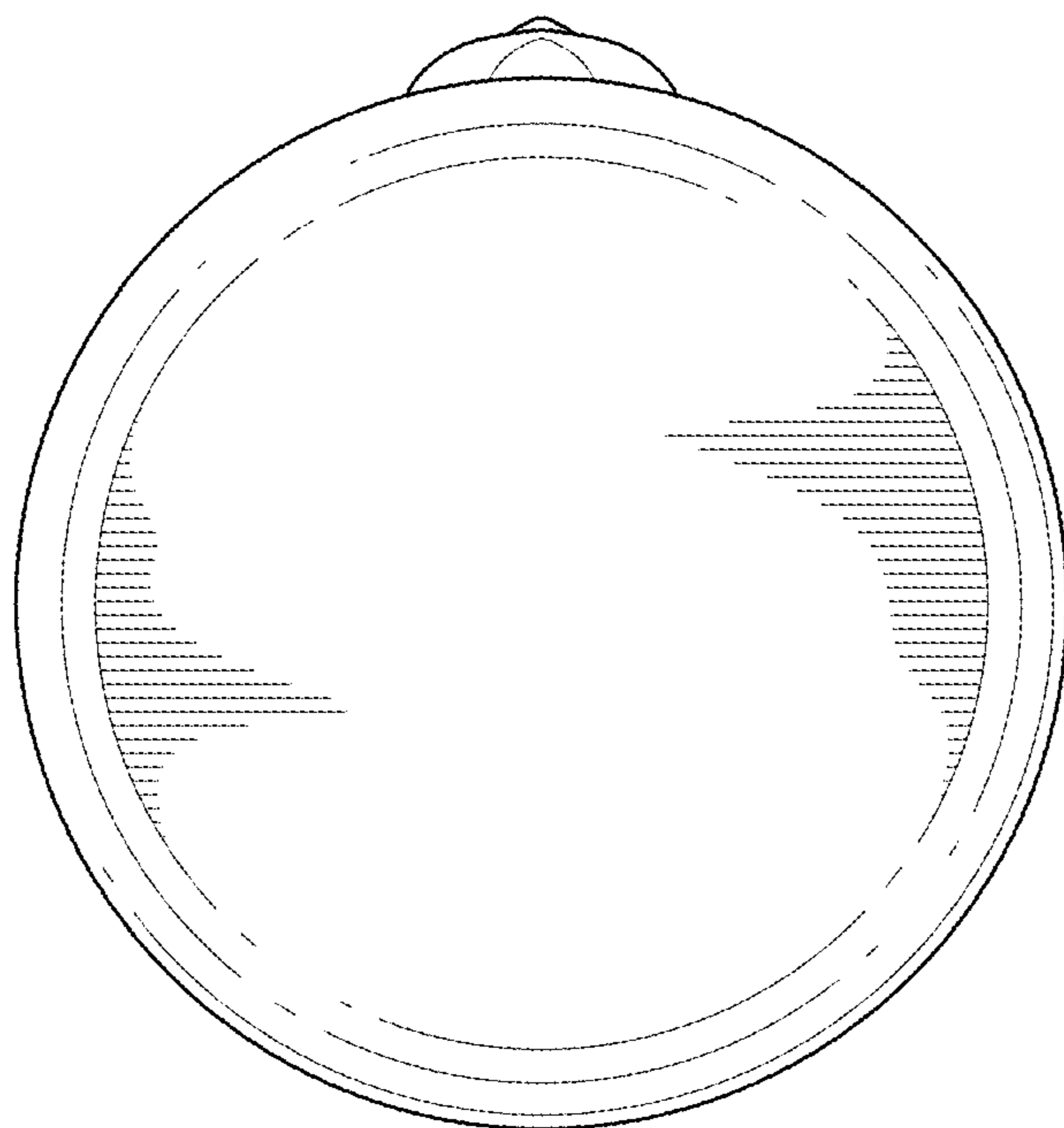


FIG. 7