



US00D798149S

(12) **United States Design Patent** (10) **Patent No.:** **US D798,149 S**
Angeloni et al. (45) **Date of Patent:** **** *Sep. 26, 2017**

- (54) **PRODUCT CONTAINER LID**
- (71) Applicant: **WM. WRIGLEY JR. COMPANY**,
Chicago, IL (US)
- (72) Inventors: **Paul Angeloni**, Chicago, IL (US);
Christopher H. Cunningham, Grays
Lake, IL (US); **Justin Nunez**,
Lindenhurst, IL (US)
- (73) Assignee: **WM. WRIGLEY JR. COMPANY**,
Chicago, IL (US)
- (*) Notice: This patent is subject to a terminal dis-
claimer.
- (**) Term: **14 Years**
- (21) Appl. No.: **29/508,120**
- (22) Filed: **Nov. 3, 2014**
- (51) **LOC (10) Cl.** **09-07**
- (52) **U.S. Cl.**
USPC **D9/449**
- (58) **Field of Classification Search**
USPC D7/601, 602; D9/414, 421, 432,
D9/434-436, 438, 440, 443-445, 447,
D9/449, 499, 517, 524, 529, 530, 741;
220/263, 505; 221/94
CPC B65D 1/24; B65D 25/06; B65D 85/00
See application file for complete search history.

- (56) **References Cited**
U.S. PATENT DOCUMENTS
D3,357 S * 2/1869 Pratt D9/434
D198,874 S * 8/1964 Jooten D9/443
D446,722 S * 8/2001 Morrow D7/596

- D448,606 S * 10/2001 Conti D7/392.1
- D448,668 S * 10/2001 Baerenwald D9/449
- 7,909,195 B2 3/2011 Rathbone et al.
- D636,257 S * 4/2011 Bougoulas D9/420
- 8,235,238 B2 8/2012 Luburic
- D672,612 S * 12/2012 Stamper D7/602
- D682,687 S * 5/2013 McCumber D9/435
- D702,547 S 4/2014 Akana et al.
- D731,886 S * 6/2015 Taylor D9/423
- D739,228 S * 9/2015 Jondal D9/421
- D742,224 S * 11/2015 Thurin D7/629
- 2007/0196542 A1 8/2007 Rathbone et al.

* cited by examiner

Primary Examiner — Robert M Spear
Assistant Examiner — Darcey E Heflin

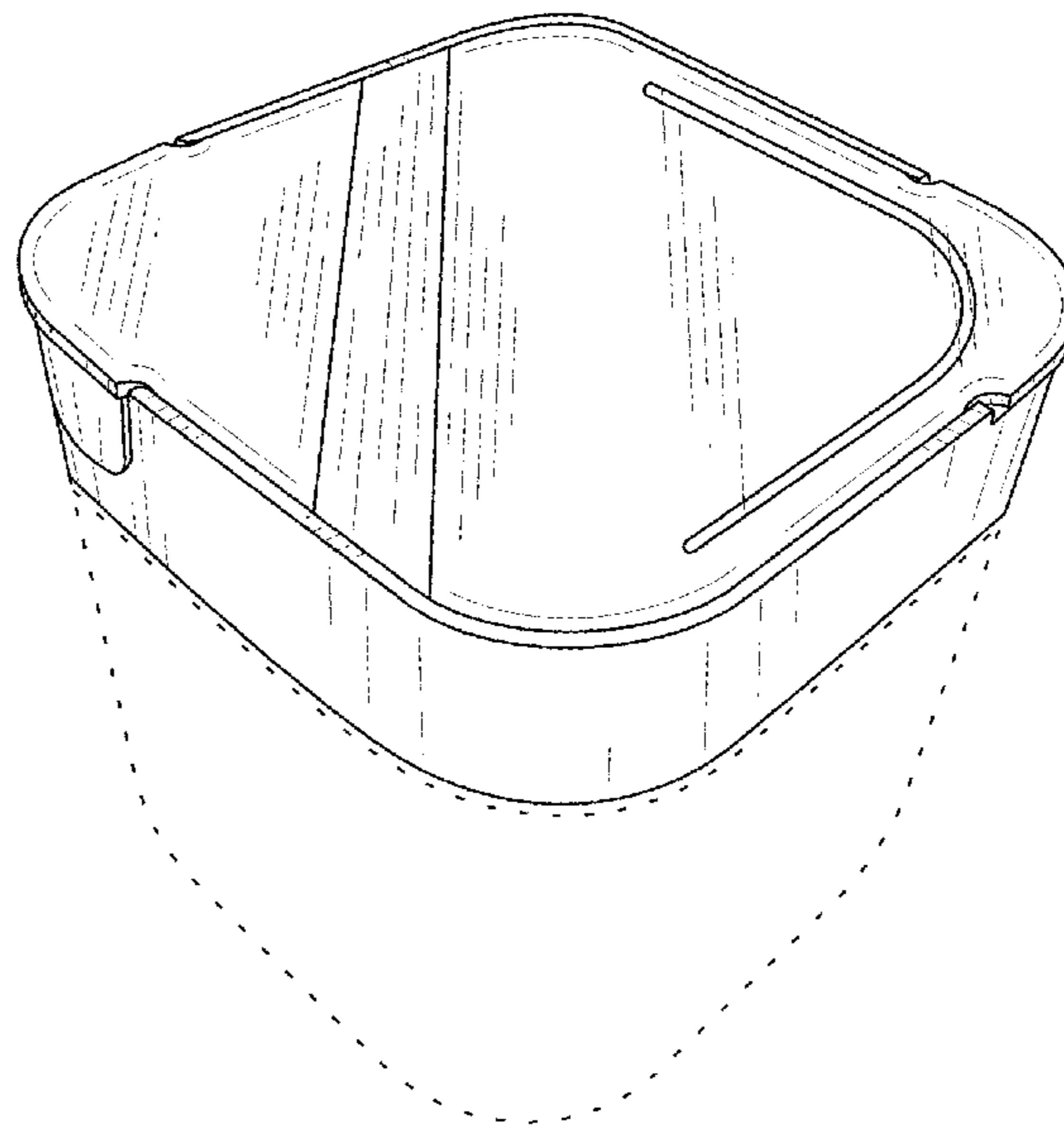
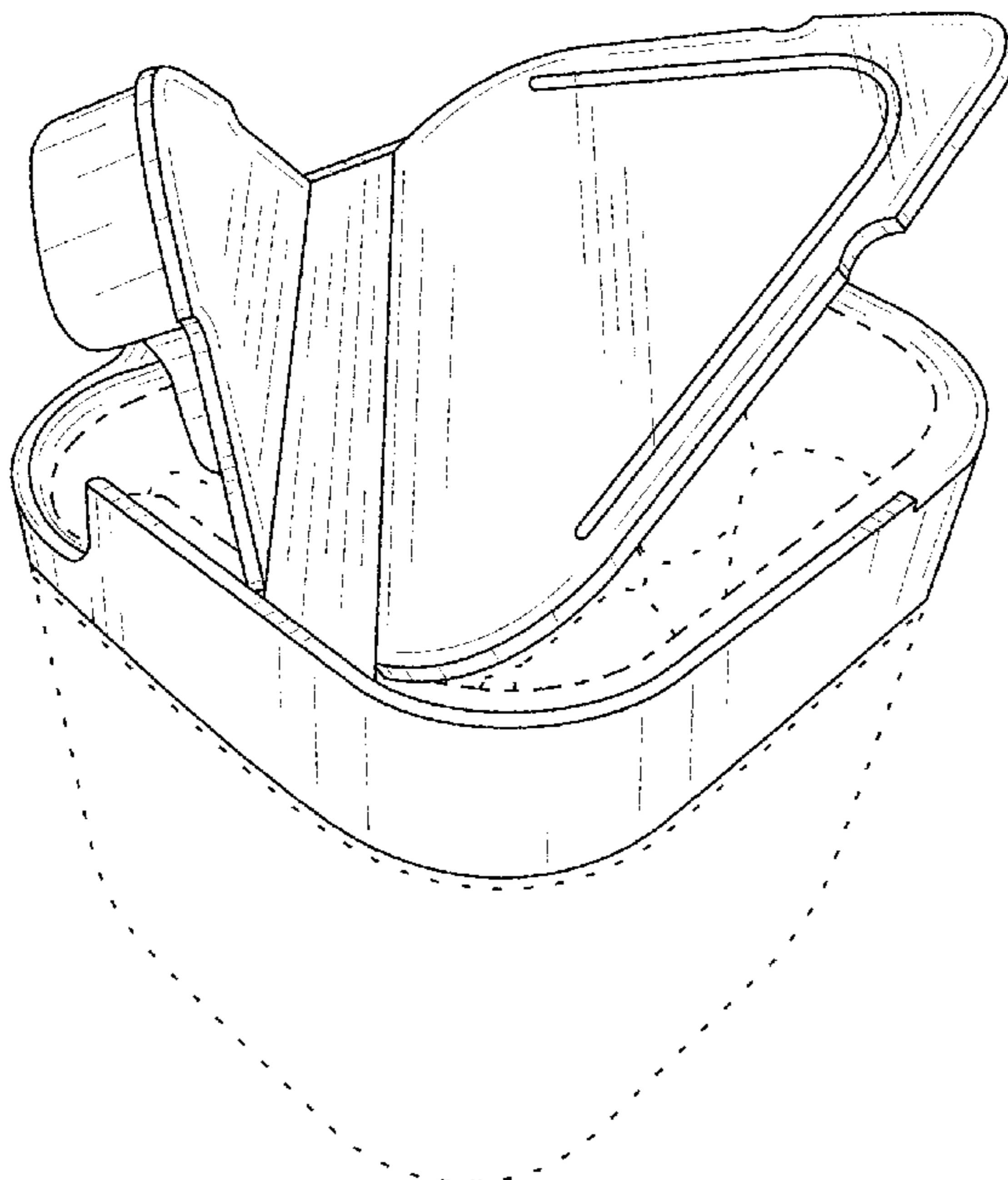
(57) **CLAIM**

The ornamental design for a product container lid, as shown and described.

DESCRIPTION

FIG. 1 is a front, right side perspective view of a product container lid, showing our new design, wherein the cover is in an open position;
 FIG. 2 is a front, right side perspective view thereof, wherein the cover is in a closed position;
 FIG. 3 is a right side elevation view thereof;
 FIG. 4 is a front elevation view thereof;
 FIG. 5 is a left side elevation view thereof;
 FIG. 6 is a back elevation view thereof;
 FIG. 7 is a top plan view thereof; and,
 FIG. 8 is a bottom plan view.
 In the drawings, the evenly spaced broken lines depict environmental subject matter that forms no part of the claim; the dash-dot-dash lines represent boundaries of the claimed design and form no part thereof.

1 Claim, 5 Drawing Sheets



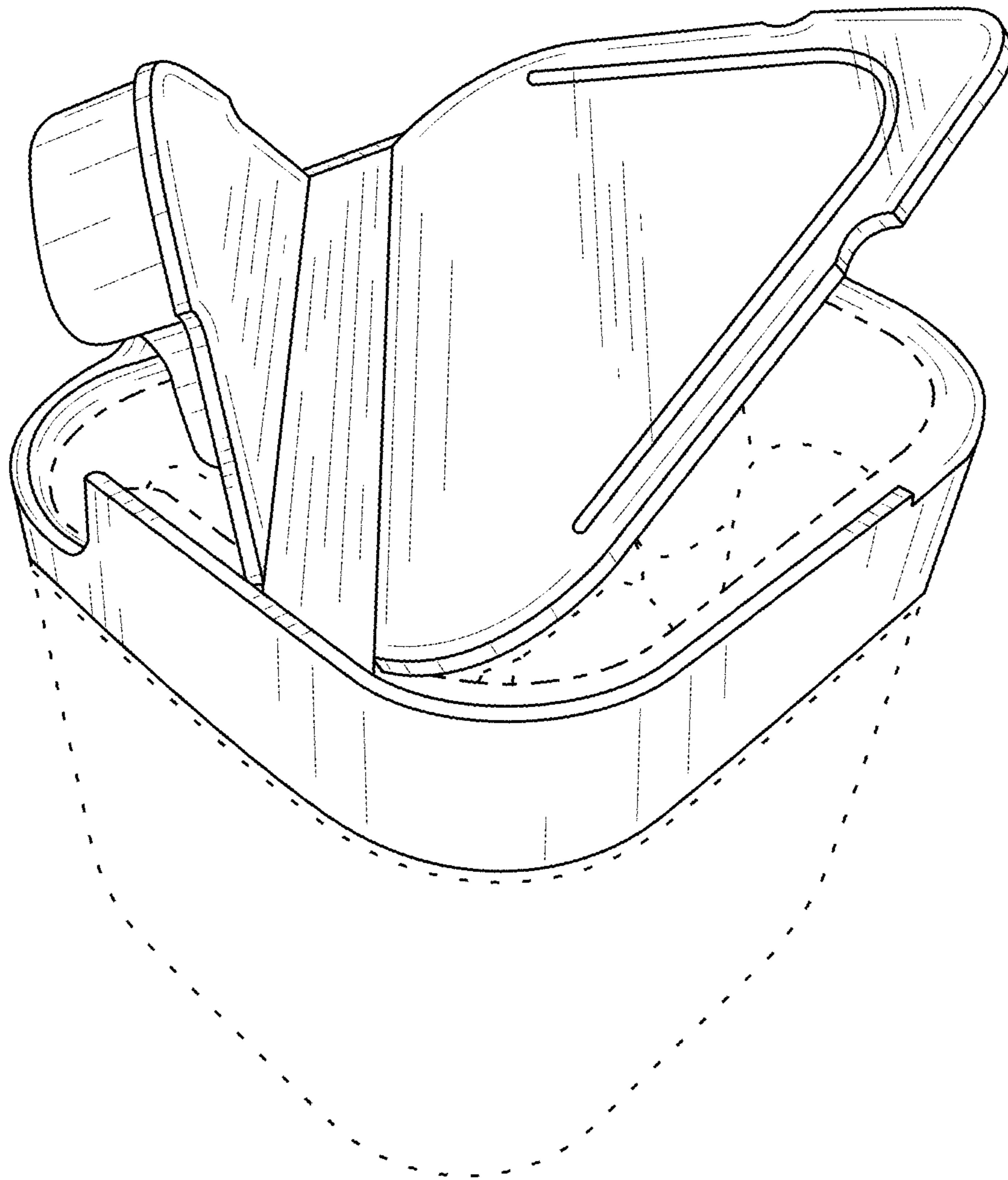


FIG. 1

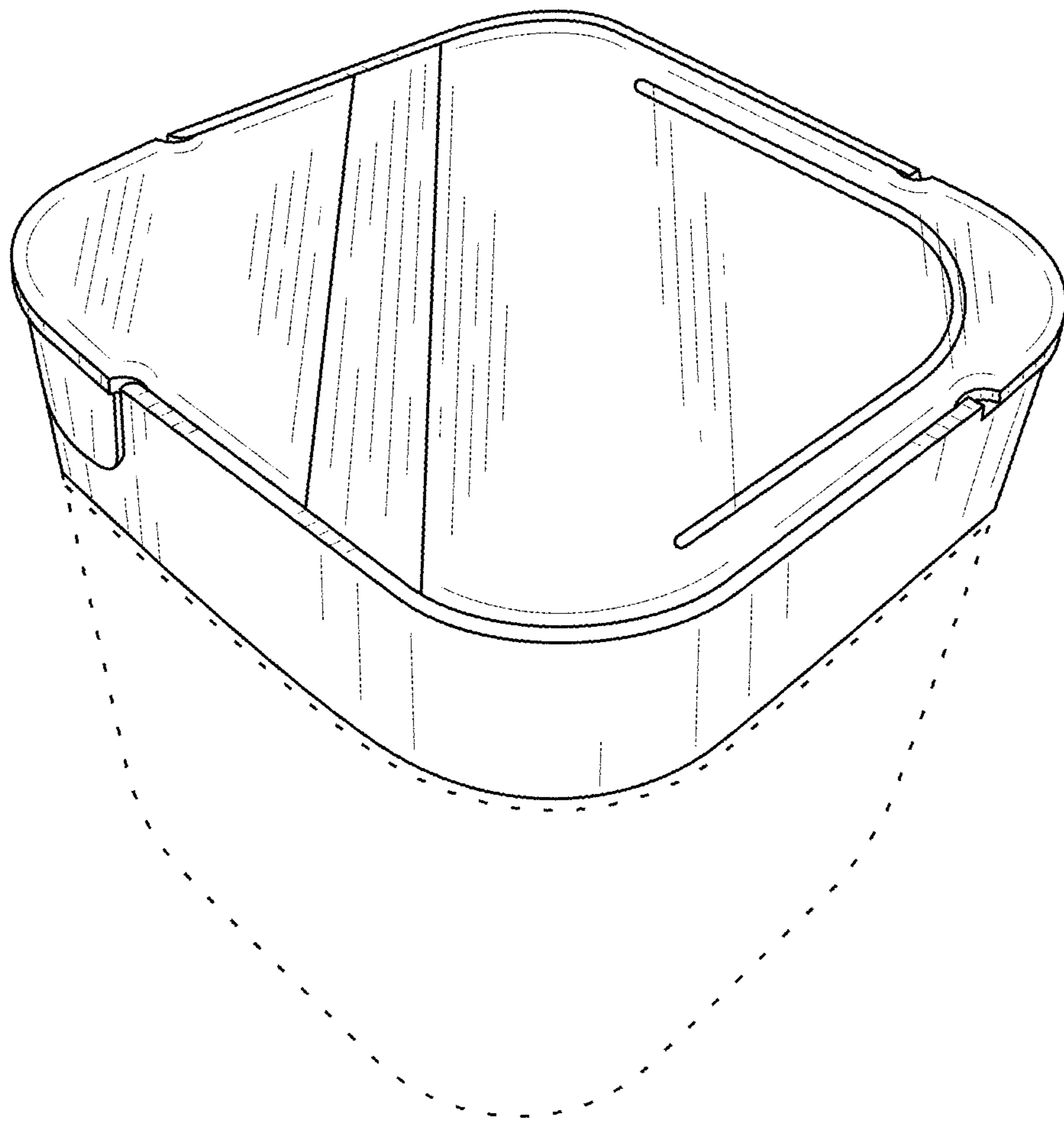


FIG. 2

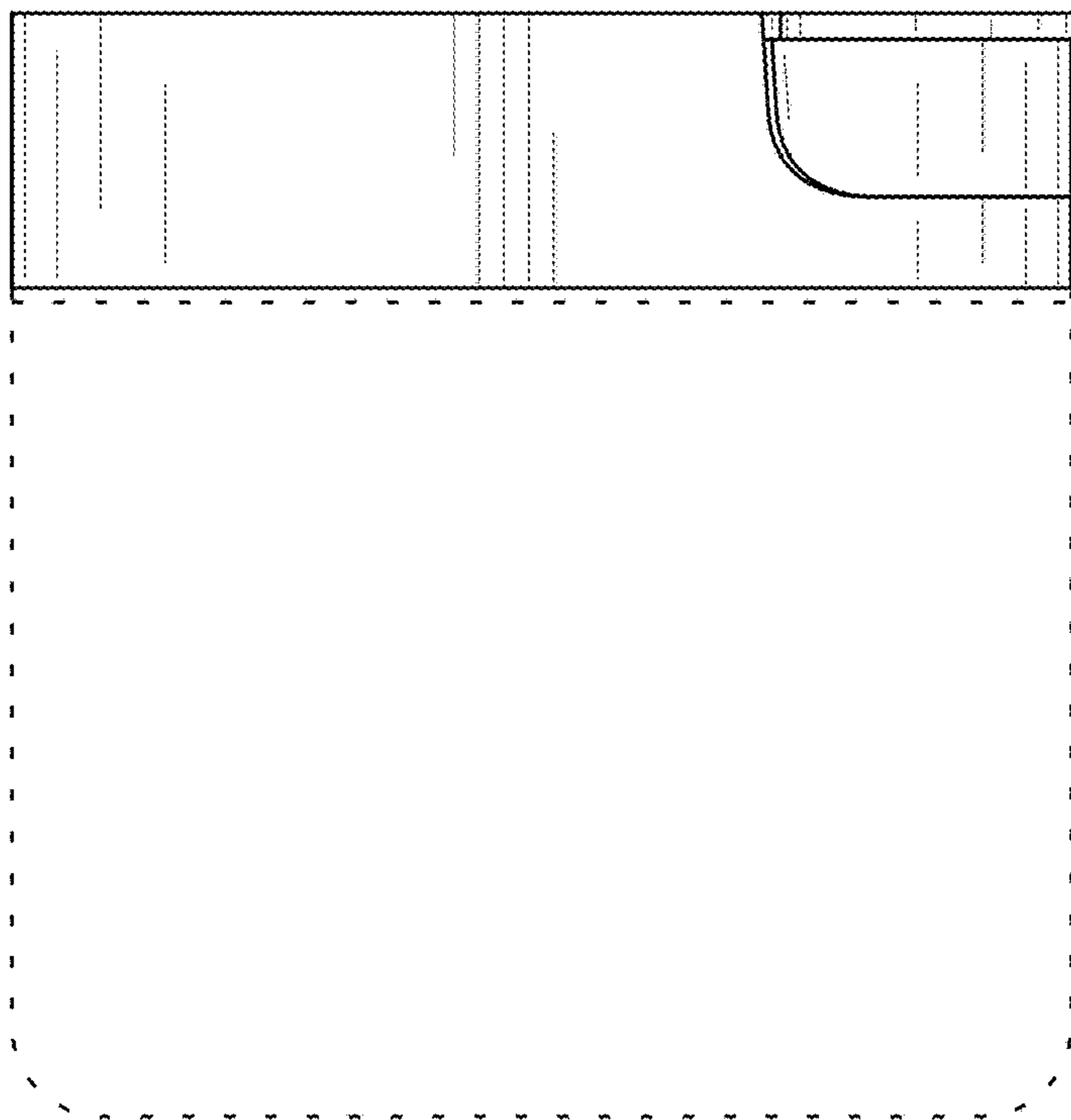


FIG. 3

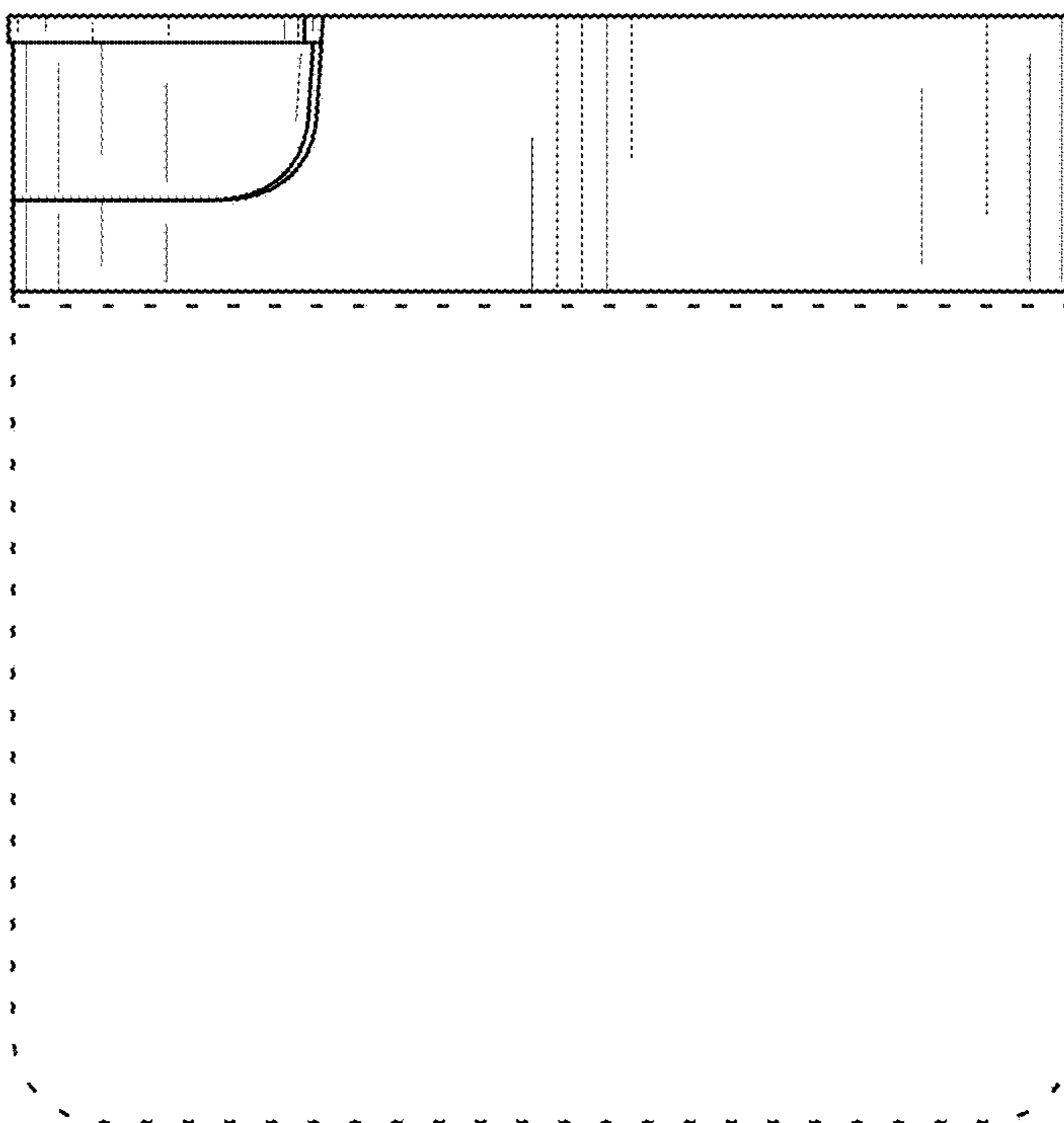


FIG. 4

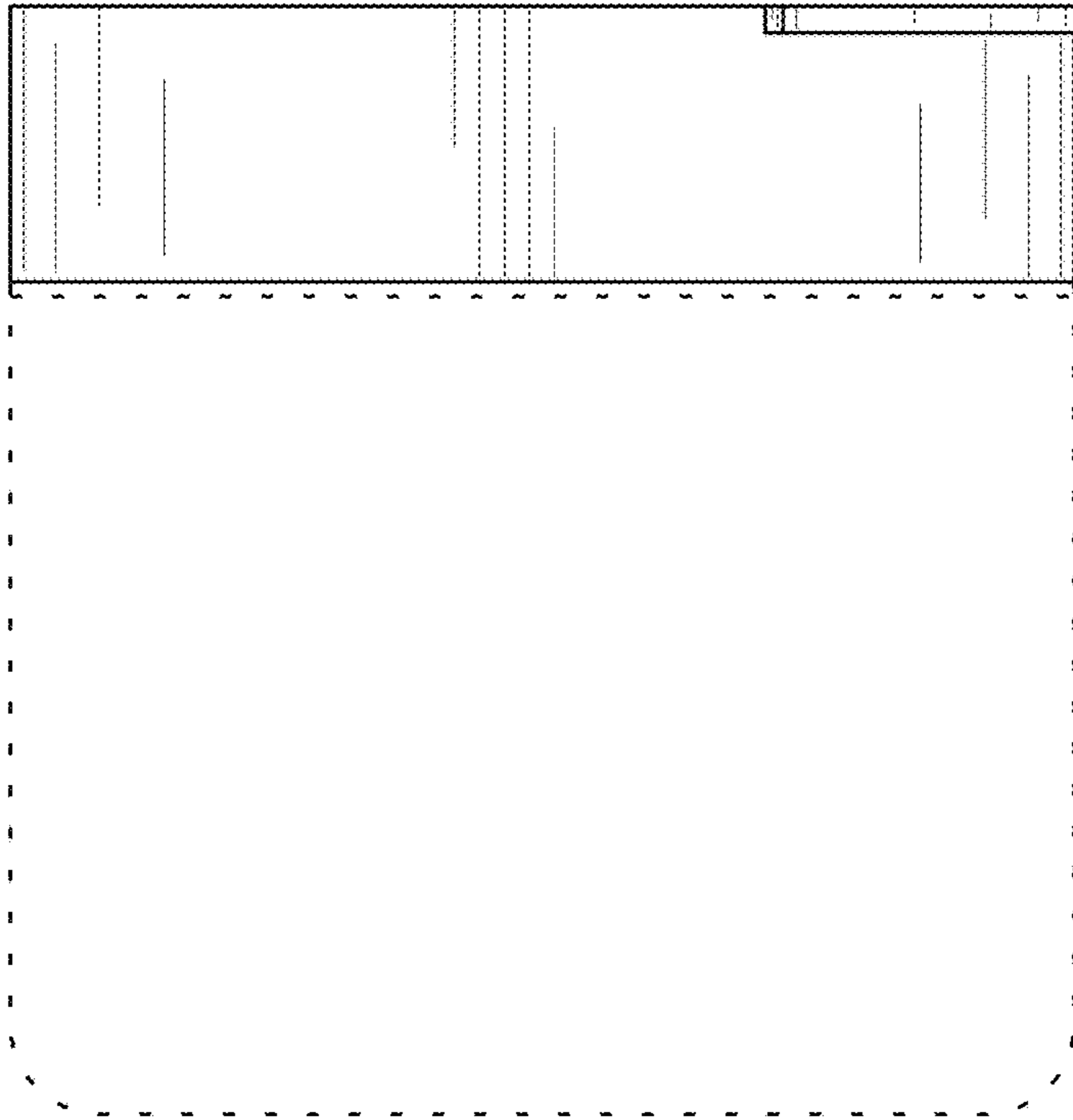


FIG. 5

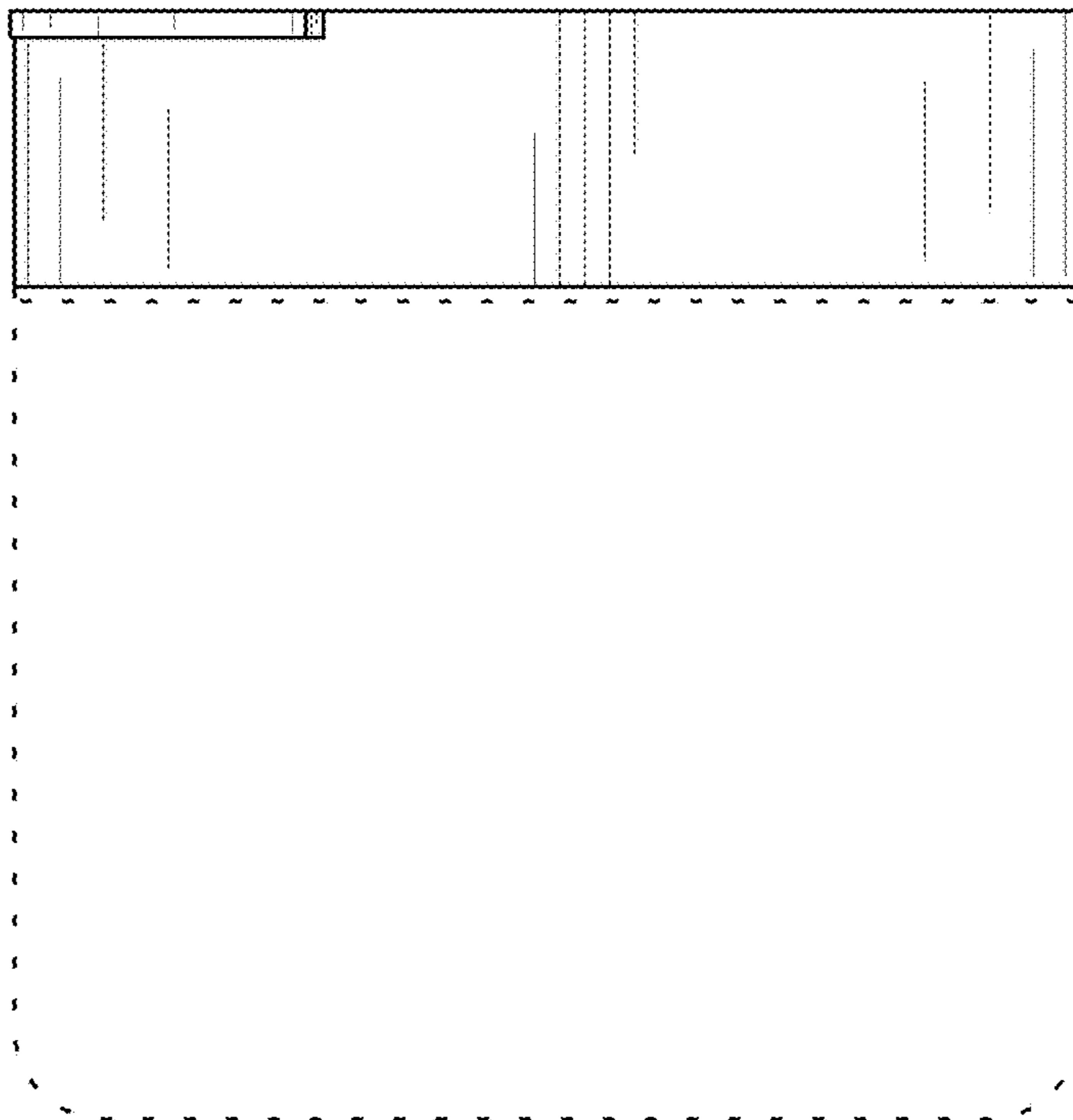


FIG. 6

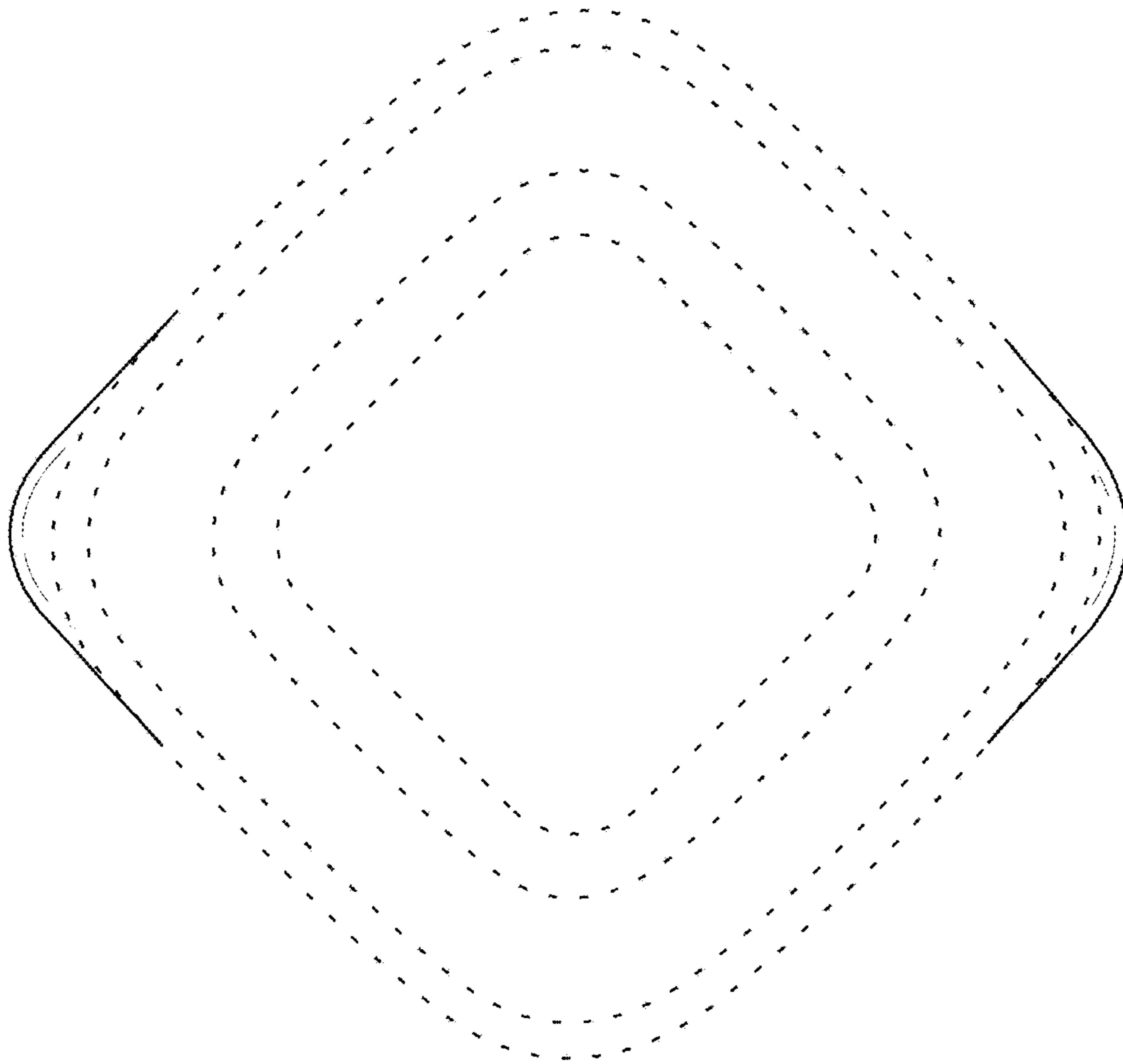


FIG. 8

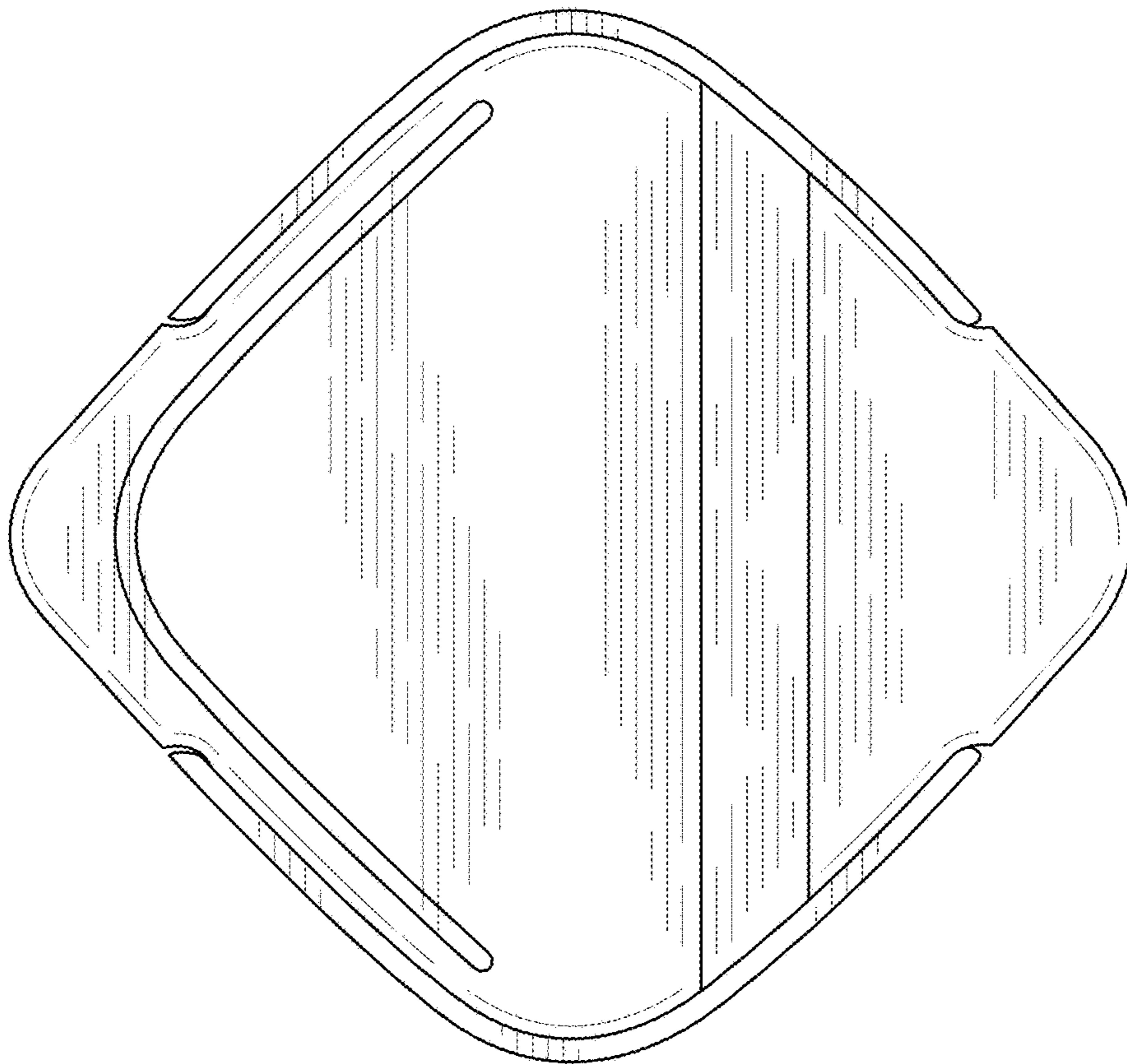


FIG. 7