



US00D798148S

(12) **United States Design Patent** (10) **Patent No.:** **US D798,148 S**
Bai (45) **Date of Patent:** **** Sep. 26, 2017**

(54) **PUMP FOR LOTION**

(71) Applicant: **Guangzhou Blue Moon Industrial Co., Ltd.**, Guangdong (CN)

(72) Inventor: **Lipeng Bai**, Guangdong (CN)

(**) Term: **15 Years**

(21) Appl. No.: **29/555,489**

(22) Filed: **Feb. 22, 2016**

(30) **Foreign Application Priority Data**

Aug. 28, 2015 (CN) 2015 3 0328905

(51) **LOC (10) Cl.** **09-07**

(52) **U.S. Cl.**
USPC **D9/448**

(58) **Field of Classification Search**
USPC D9/414, 415, 420, 426, 428, 429, 434, D9/435, 443-450, 452-457, 499, 682, D9/685, 686, 451; D7/387, 392, 392.1, D7/393, 395, 396.2, 396.3, 396.4, 401.1, D7/507, 509-511, 538, 900; D3/202, D3/203.2, 318; D28/91.1
CPC .. A61J 1/00; A61J 1/1412; B65D 1/00; B65D 1/02; B65D 1/10; B65D 1/46; B65D 2585/56; B65D 41/00; B65D 41/38; B65D 41/56; B65D 41/62; B65D 47/00; B65D 47/06; B65D 47/08; B65D 2543/00046; B65D 2543/00092; B65D 2543/00296; B65D 5/46; B65D 2251/00
See application file for complete search history.

(56) **References Cited**

U.S. PATENT DOCUMENTS

D296,526 S * 7/1988 von Schuckmann D9/448
D300,331 S * 3/1989 Horntrich 401/202

D404,295 S * 1/1999 Bertolini D9/691
6,039,215 A * 3/2000 Bell B65D 47/0857
222/137
D441,654 S * 5/2001 Sayers D9/448
D489,613 S * 5/2004 Campbell D9/447
D511,095 S * 11/2005 Auer D9/435
D551,077 S * 9/2007 Bloc D9/448
D581,270 S * 11/2008 Gonzalez D9/448
D608,655 S * 1/2010 Brewer D9/689
D642,916 S * 8/2011 Handy D9/448
D668,152 S * 10/2012 Sasaki D9/448
D696,140 S * 12/2013 Servaire D9/686

* cited by examiner

Primary Examiner — Karen S Acker

Assistant Examiner — Wendy Arminio

(74) *Attorney, Agent, or Firm* — Prakash Nama; Global IP Services, PLLC

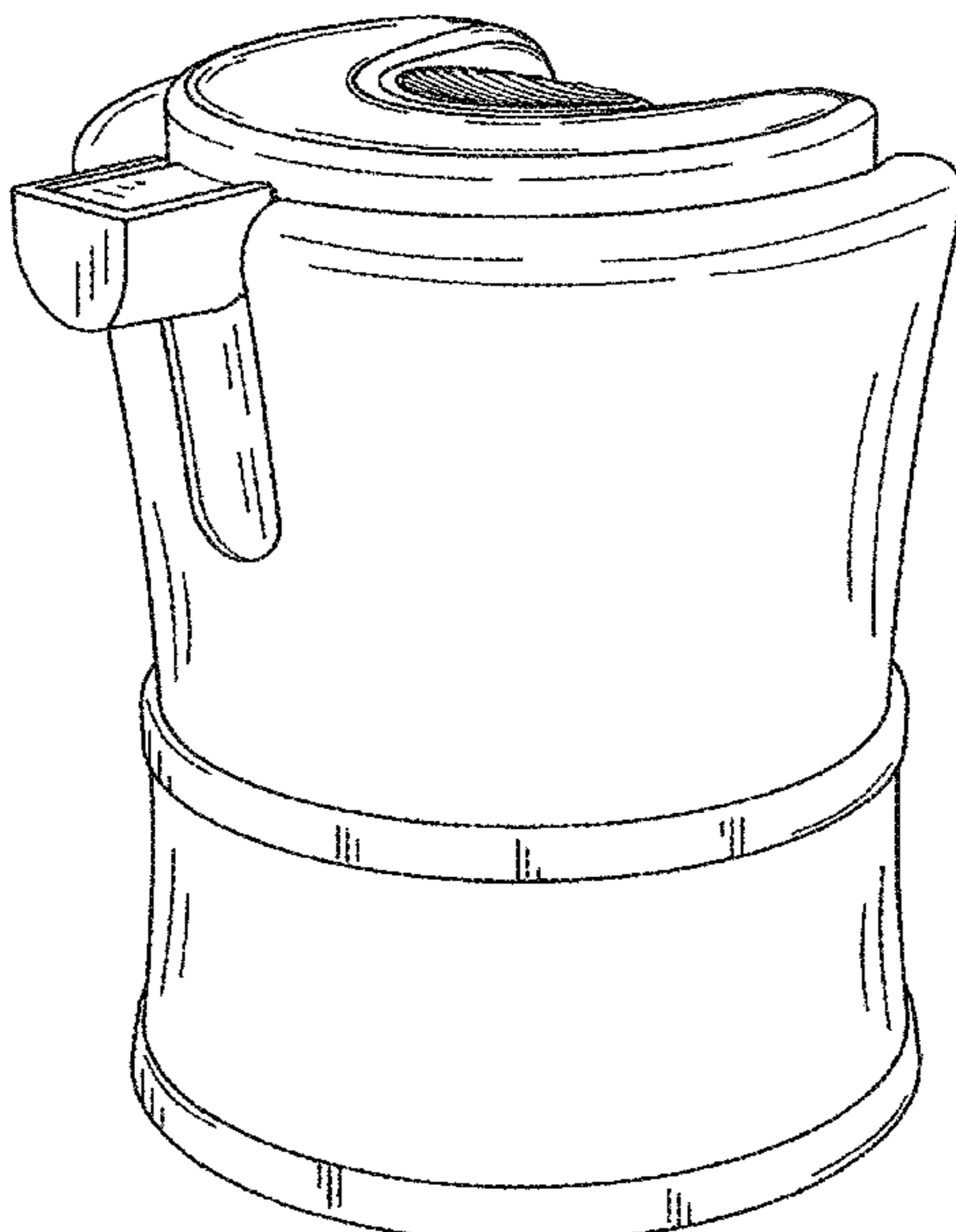
(57) **CLAIM**

The ornamental design for a pump for lotion, as shown.

DESCRIPTION

FIG. 1 is a front elevational view of a pump for lotion showing my new design;
FIG. 2 is a rear elevational view thereof;
FIG. 3 is a left side view thereof;
FIG. 4 is a right side view thereof;
FIG. 5 is a top plan view thereof;
FIG. 6 is a perspective view thereof;
FIG. 7 is a second perspective view thereof;
FIG. 8 is a third perspective view thereof; and,
FIG. 9 is a fourth perspective view thereof.

1 Claim, 9 Drawing Sheets



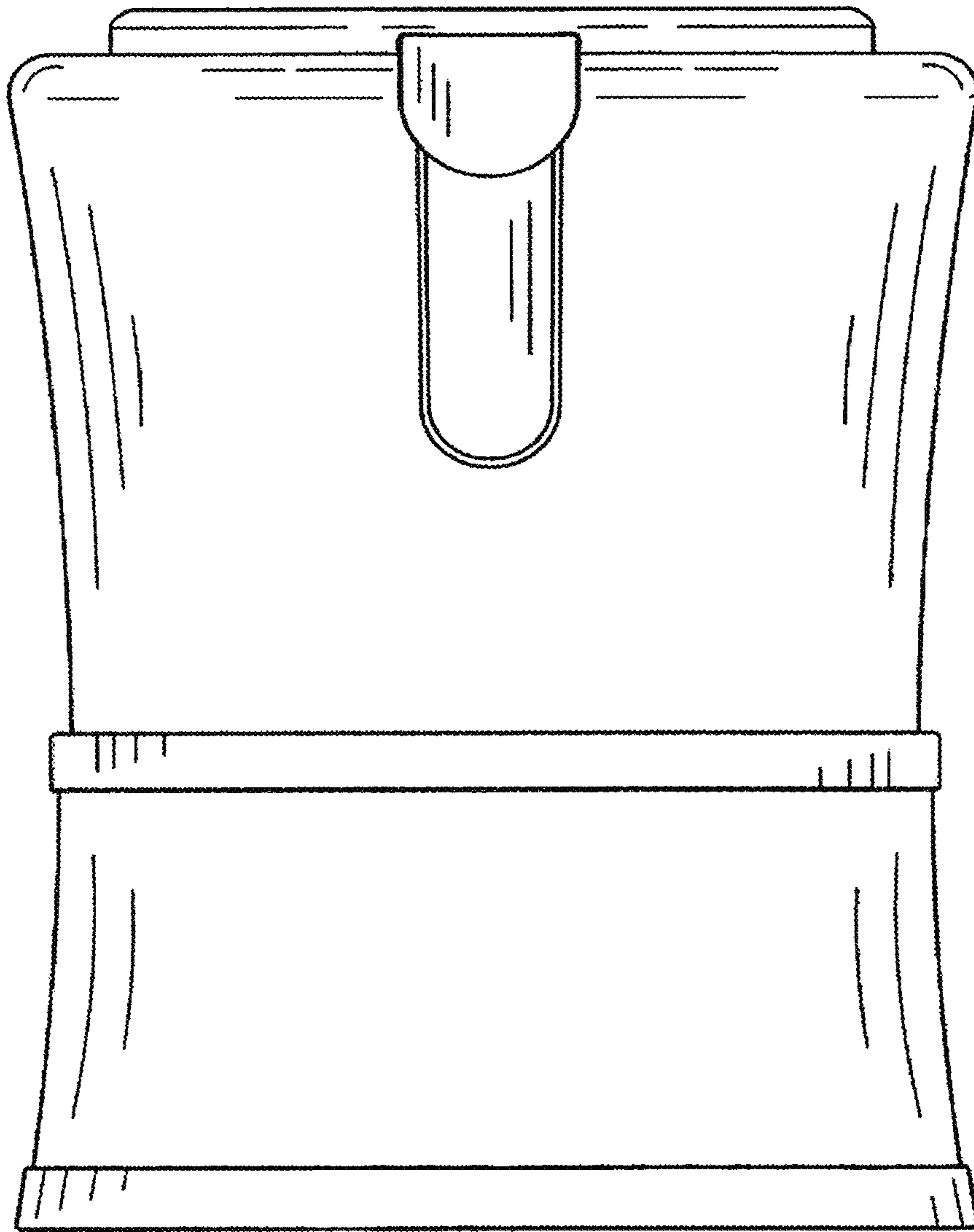


FIG. 1

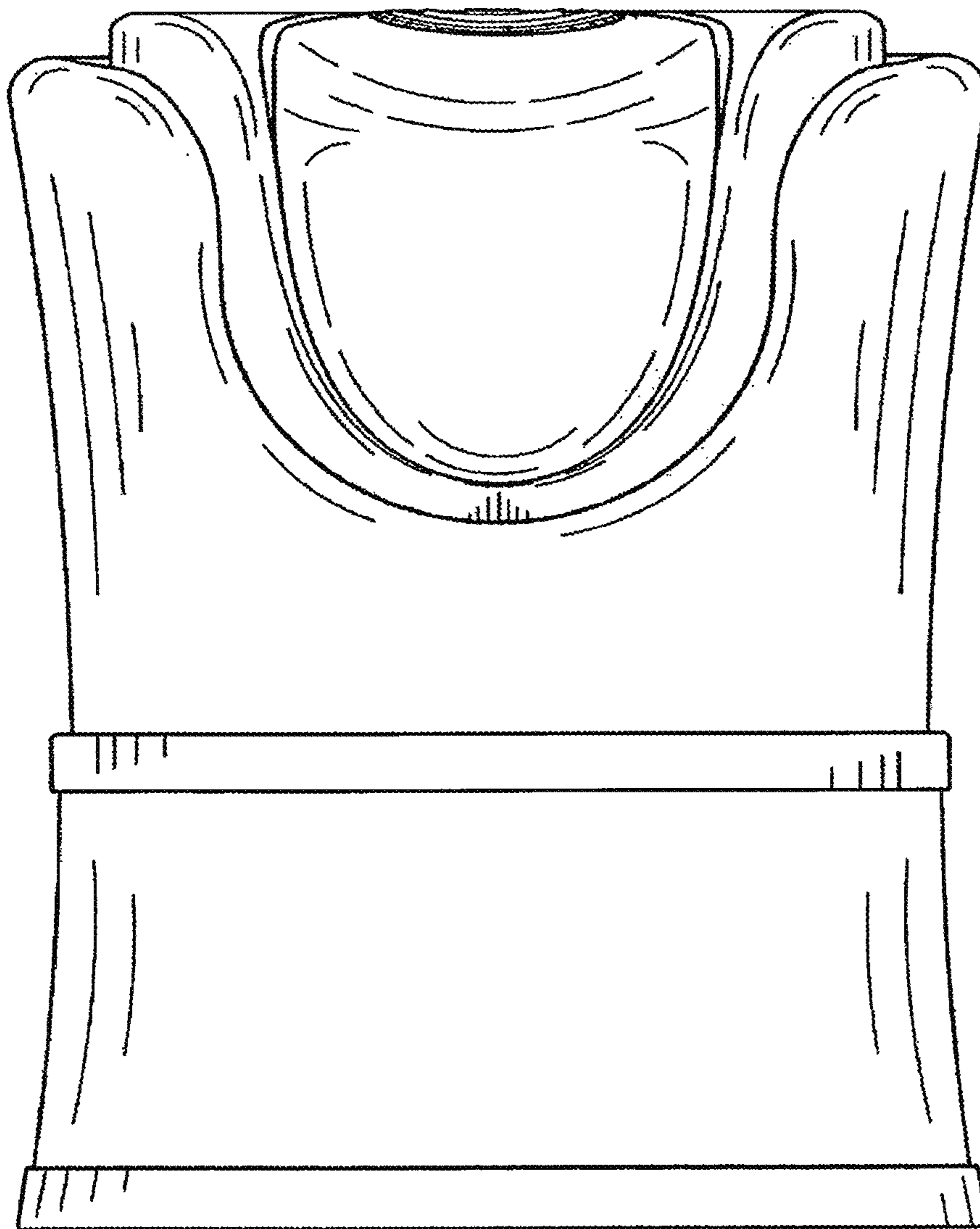


FIG. 2

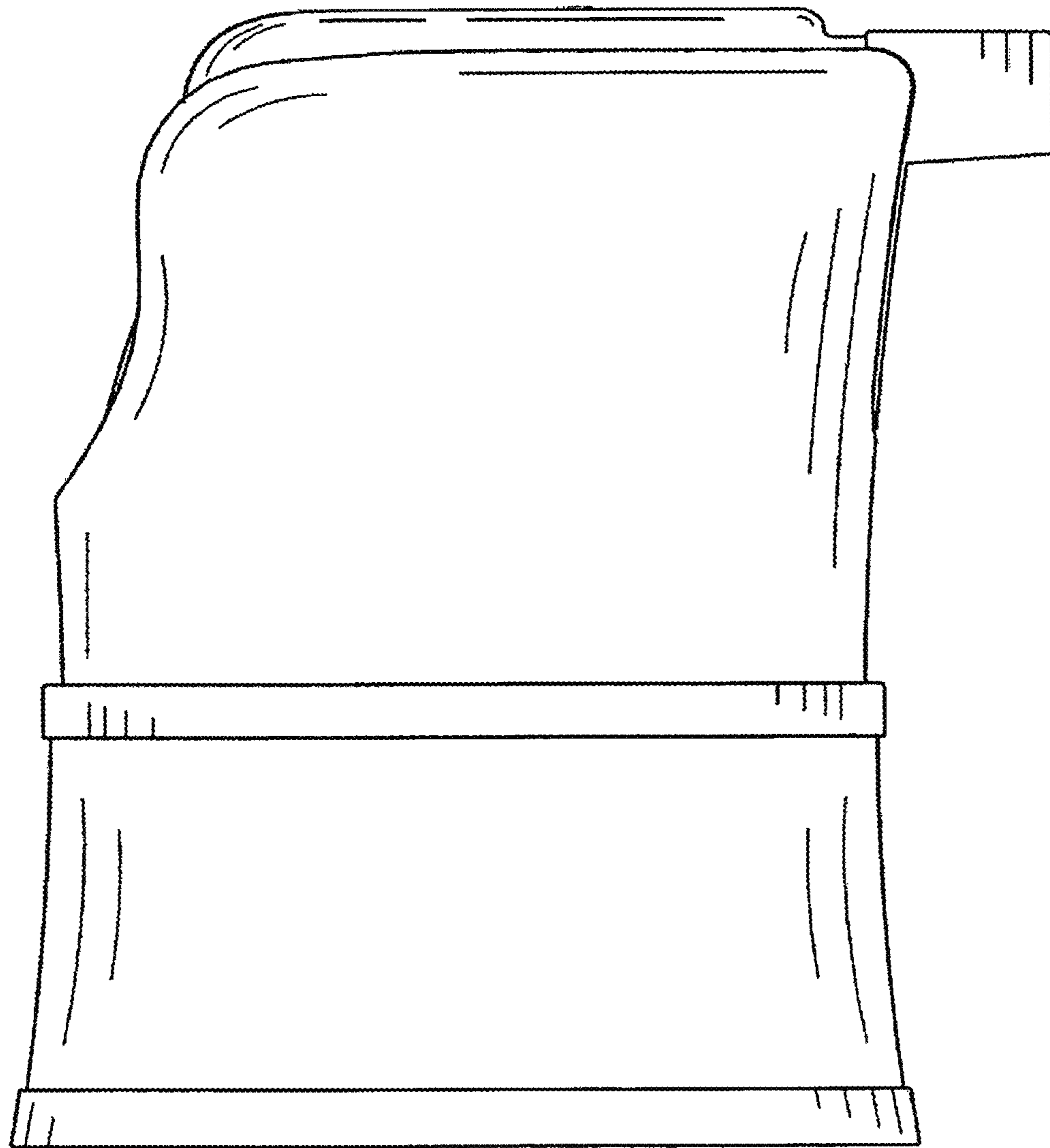


FIG. 3

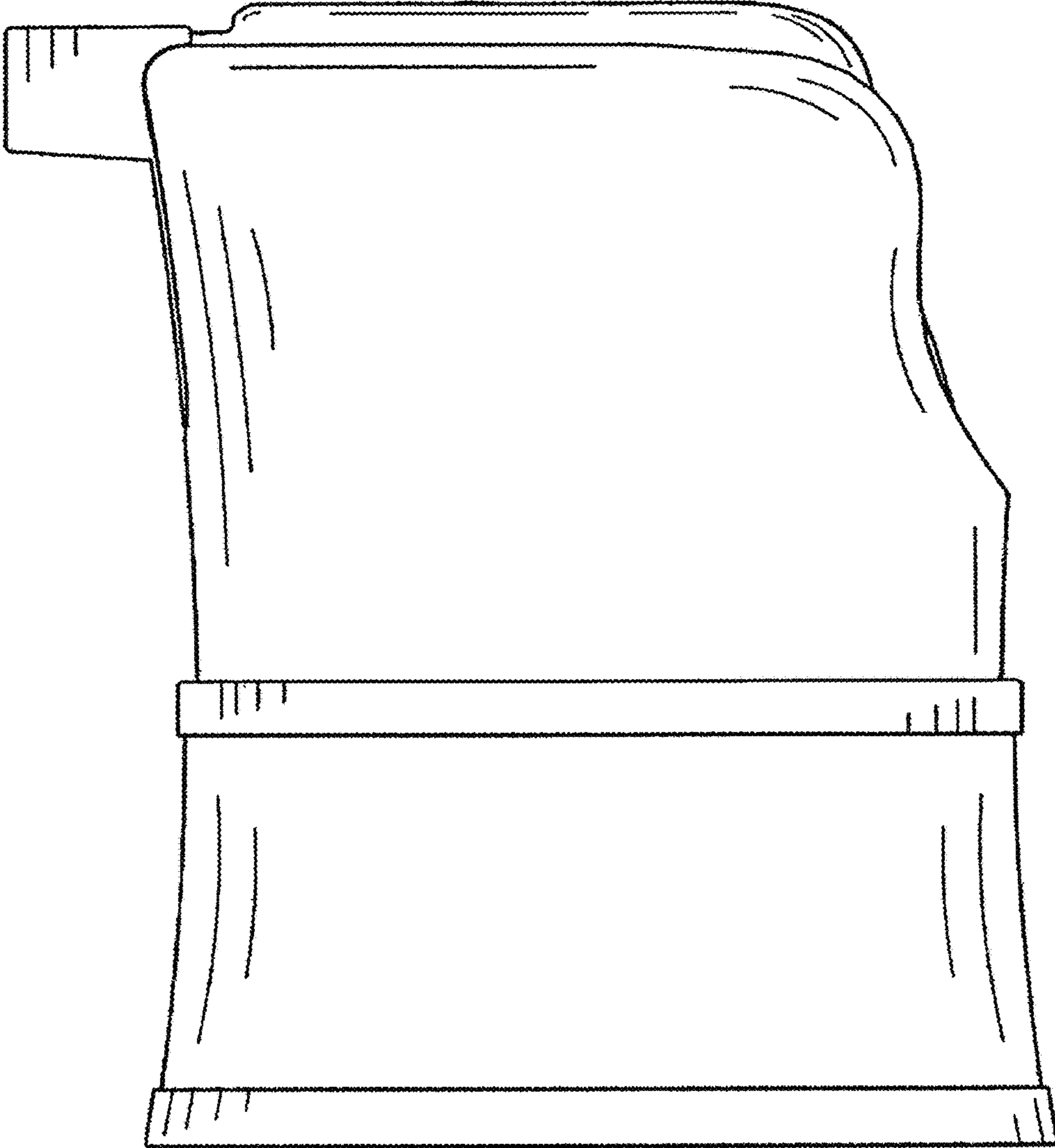


FIG. 4

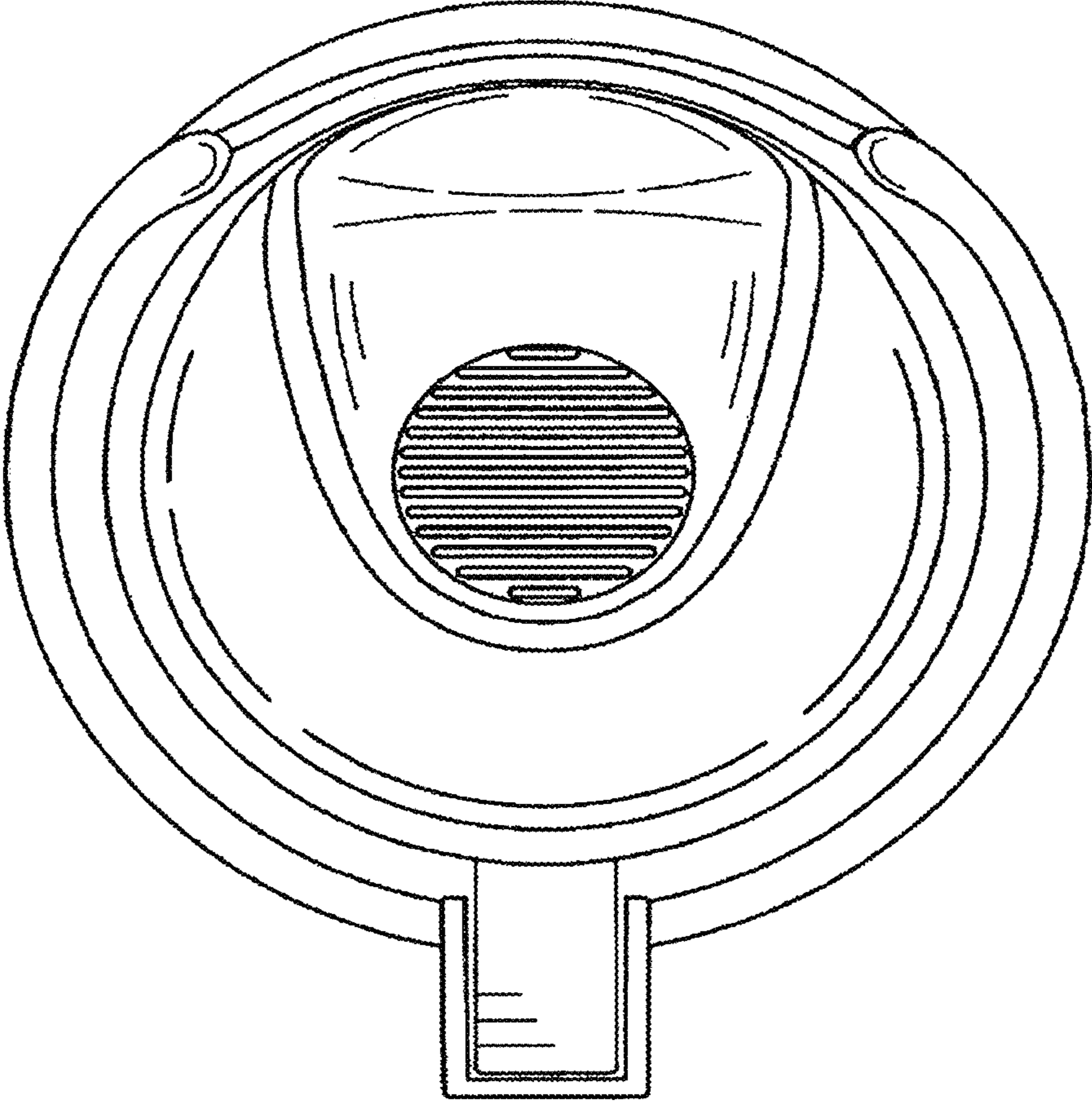


FIG. 5

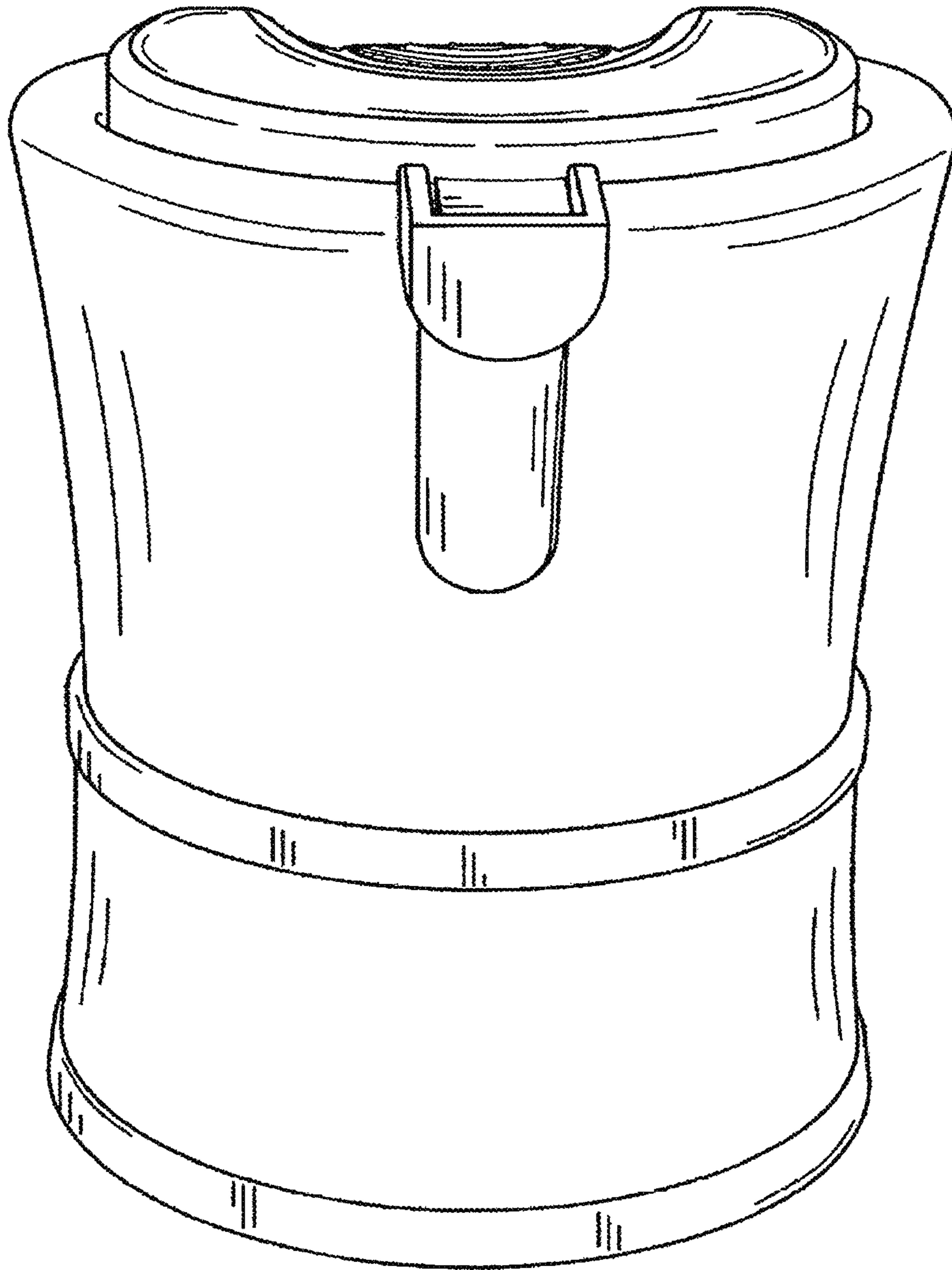


FIG. 6

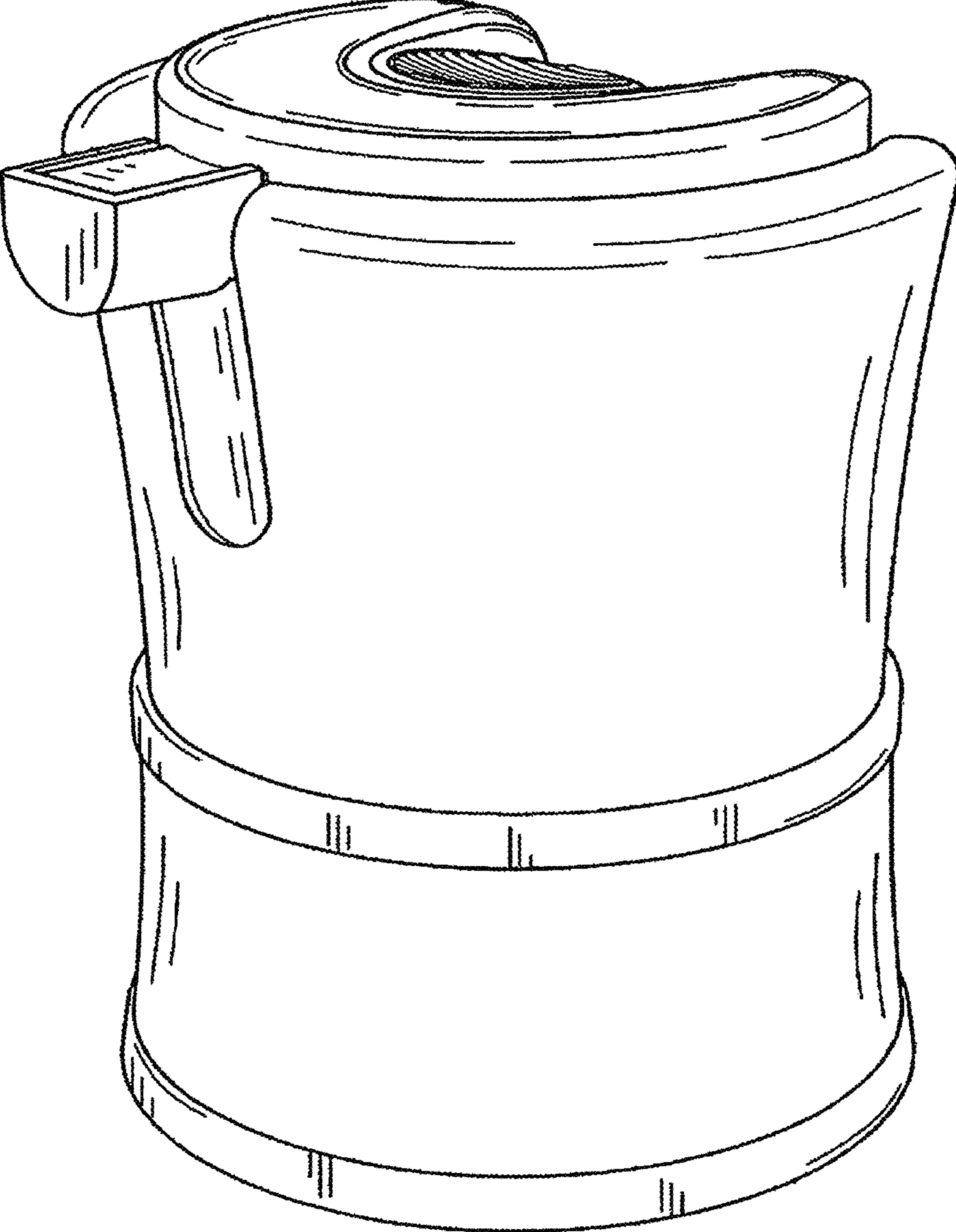


FIG. 7

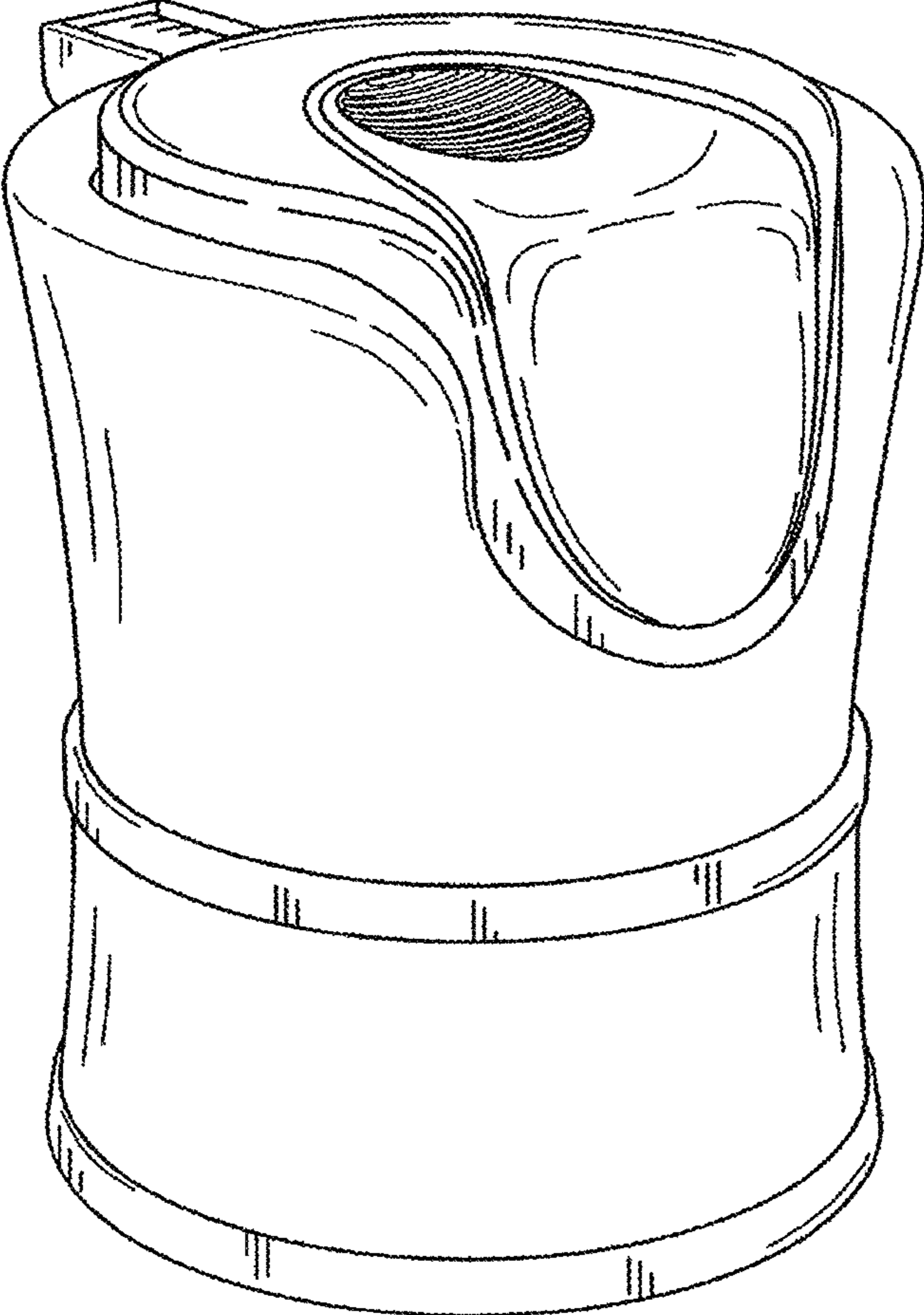


FIG. 8

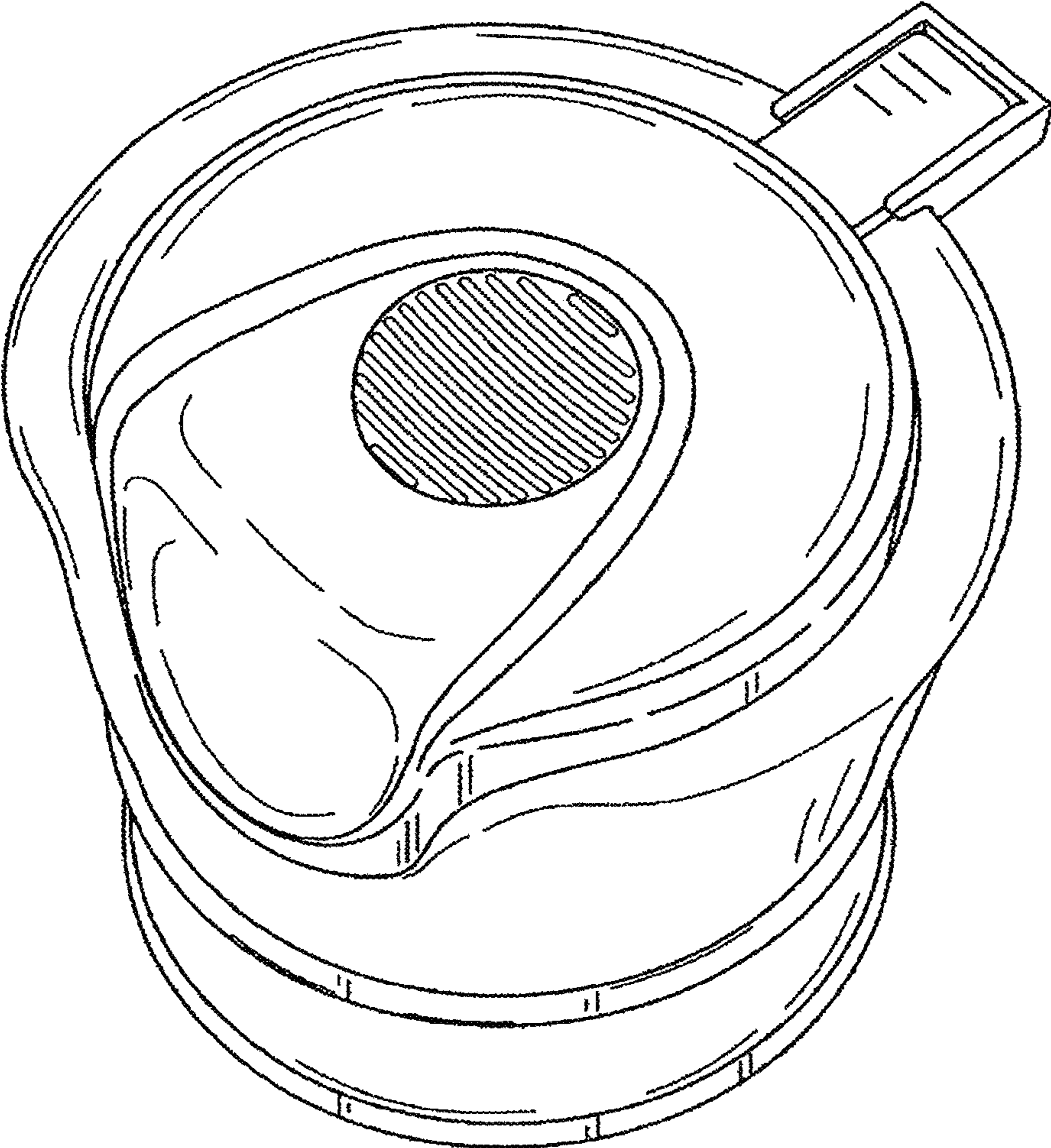


FIG. 9