



US00D798147S

(12) **United States Design Patent** (10) **Patent No.:** **US D798,147 S**  
**Sanfilippo et al.** (45) **Date of Patent:** **\*\* Sep. 26, 2017**

(54) **PACKAGE**

- (71) Applicant: **CLEAR LAM PACKAGING, INC.**,  
Elk Grove Village, IL (US)
- (72) Inventors: **James J. Sanfilippo**, Barrington Hills,  
IL (US); **Milorad Radenovic**, Chicago,  
IL (US); **James J. Sanfilippo, II**,  
Barrington Hills, IL (US)
- (73) Assignee: **CLEAR LAM PACKAGING, INC.**,  
Elk Grove Village, IL (US)
- (\*\*) Term: **15 Years**
- (21) Appl. No.: **29/553,893**
- (22) Filed: **Feb. 5, 2016**
- (51) **LOC (10) Cl.** ..... **09-07**
- (52) **U.S. Cl.**  
USPC ..... **D9/438; D9/449**
- (58) **Field of Classification Search**  
USPC ..... D7/629; D9/420, 428, 434, 435, 437,  
D9/438, 443, 448, 449  
CPC ..... B65D 3/263  
See application file for complete search history.

(56) **References Cited**

**U.S. PATENT DOCUMENTS**

D447,054 S *	8/2001	Hill	.....	D9/434
D535,877 S *	1/2007	Tanninen	.....	D9/438
D658,056 S *	4/2012	Hughes	.....	D9/434
D739,232 S *	9/2015	Sanfilippo	.....	D9/433
D746,673 S *	1/2016	Sanfilippo	.....	D9/416

(Continued)

**OTHER PUBLICATIONS**

Grocery Headquarters. Life in the Fresh Lanes, published by Arielle Sidrane on Apr. 29, 2016 [earliest online date], [site visited Dec. 22, 2016]. Available from Internet, <URL:http://www.groceryheadquarters.com/May-2016/Life-in-the-Fresh-Lanes/>.\*

*Primary Examiner* — Robert M Spear  
*Assistant Examiner* — Darcey E Heflin  
(74) *Attorney, Agent, or Firm* — Marshall, Gerstein & Borun LLP

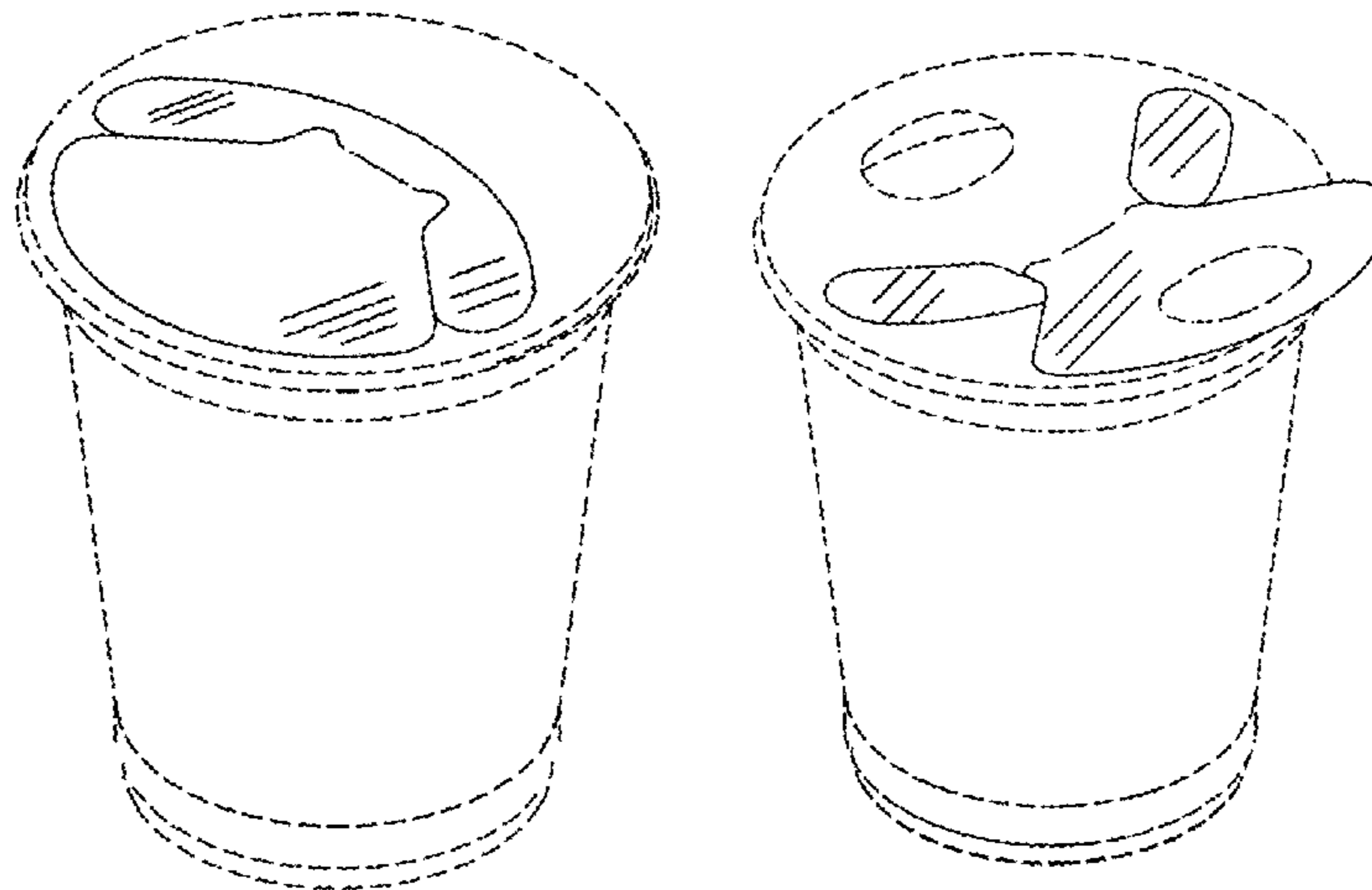
(57) **CLAIM**

The ornamental design for a package, as shown and described.

**DESCRIPTION**

FIG. 1 is a front, right-side, and top isometric view of a package showing the new design, with the lid in a closed position.  
 FIG. 2 is front, right-side, and bottom isometric view of the package in the same position.  
 FIG. 3 is a top plan view of the package.  
 FIG. 4 is a front elevation view of the package. The rear elevation view is the same as this view.  
 FIG. 5 is a left-side elevation view of the package. The right side elevation view is a mirror image of this view.  
 FIG. 6 is a bottom plan view of the package.  
 FIG. 7 is a back, right-side, and top isometric view of the package with the lid in an open position.  
 FIG. 8 is a back, right-side, and bottom isometric view of the package with the lid in the open position.  
 FIG. 9 is a left side and bottom isometric view of the package.  
 FIG. 10 is a top plan view of the package with the lid in the open position.  
 FIG. 11 is a front elevation view of the package with the lid in the open position.  
 FIG. 12 is a front elevation view of the package in the open position.  
 FIG. 13 is a right-side elevation view of the package with the lid in the open position. The left-side view is a mirror image of this view; and,  
 FIG. 14 is a back elevation view of the package with the lid in the open position.  
 The broken lines represent elements of the package that form no part of the claimed design.

**1 Claim, 14 Drawing Sheets**



(56)

**References Cited**

U.S. PATENT DOCUMENTS

D747,195	S	*	1/2016	Sanfilippo	.....	D9/433
D747,202	S	*	1/2016	Sanfilippo	.....	D9/423
D747,646	S	*	1/2016	Sanfilippo	.....	D9/416
D748,471	S	*	2/2016	Sanfilippo	.....	D9/433
D764,914	S	*	8/2016	Sanfilippo	.....	D9/435
D772,069	S	*	11/2016	Sanfilippo	.....	D9/499

\* cited by examiner

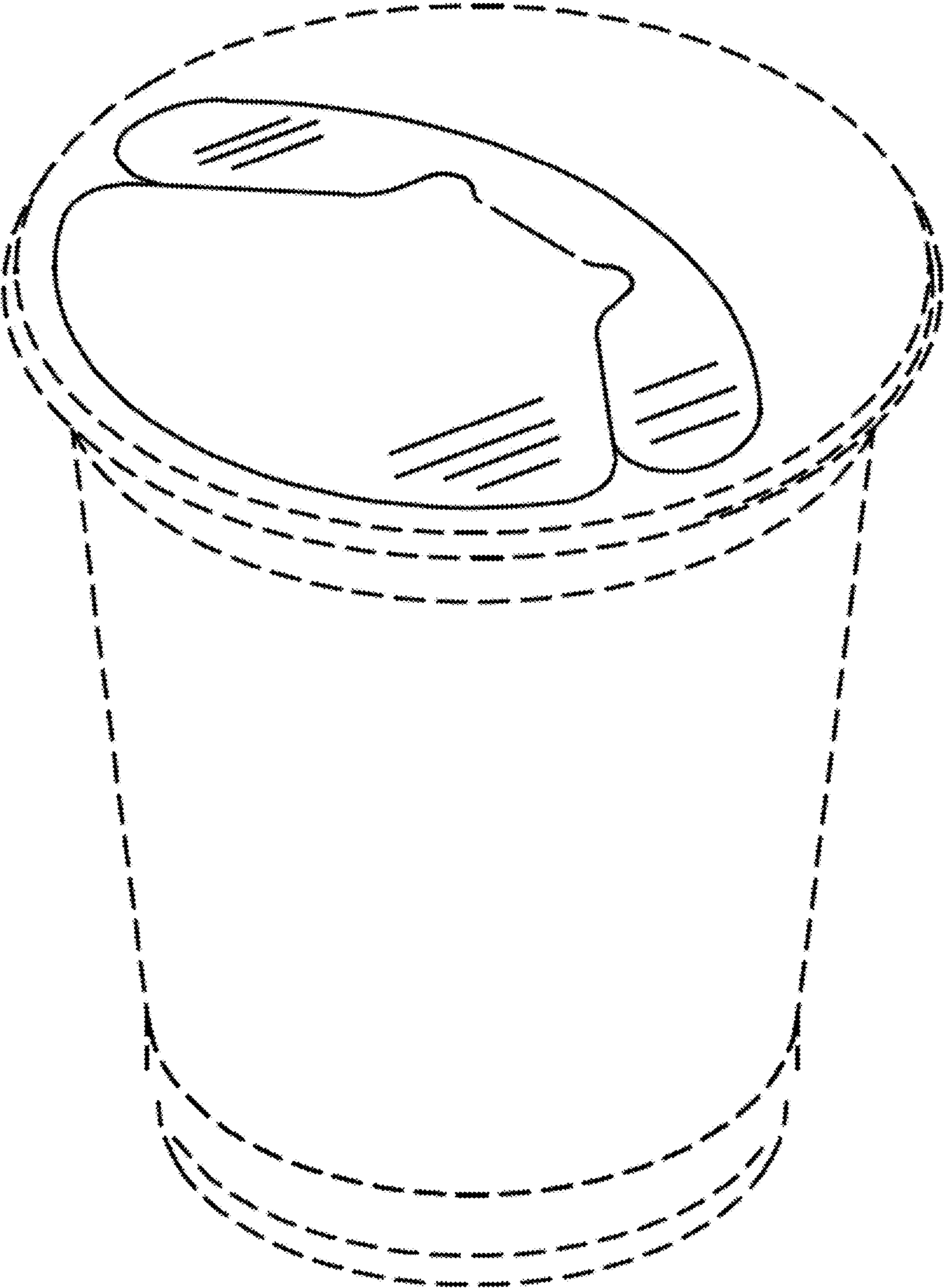


Fig. 1

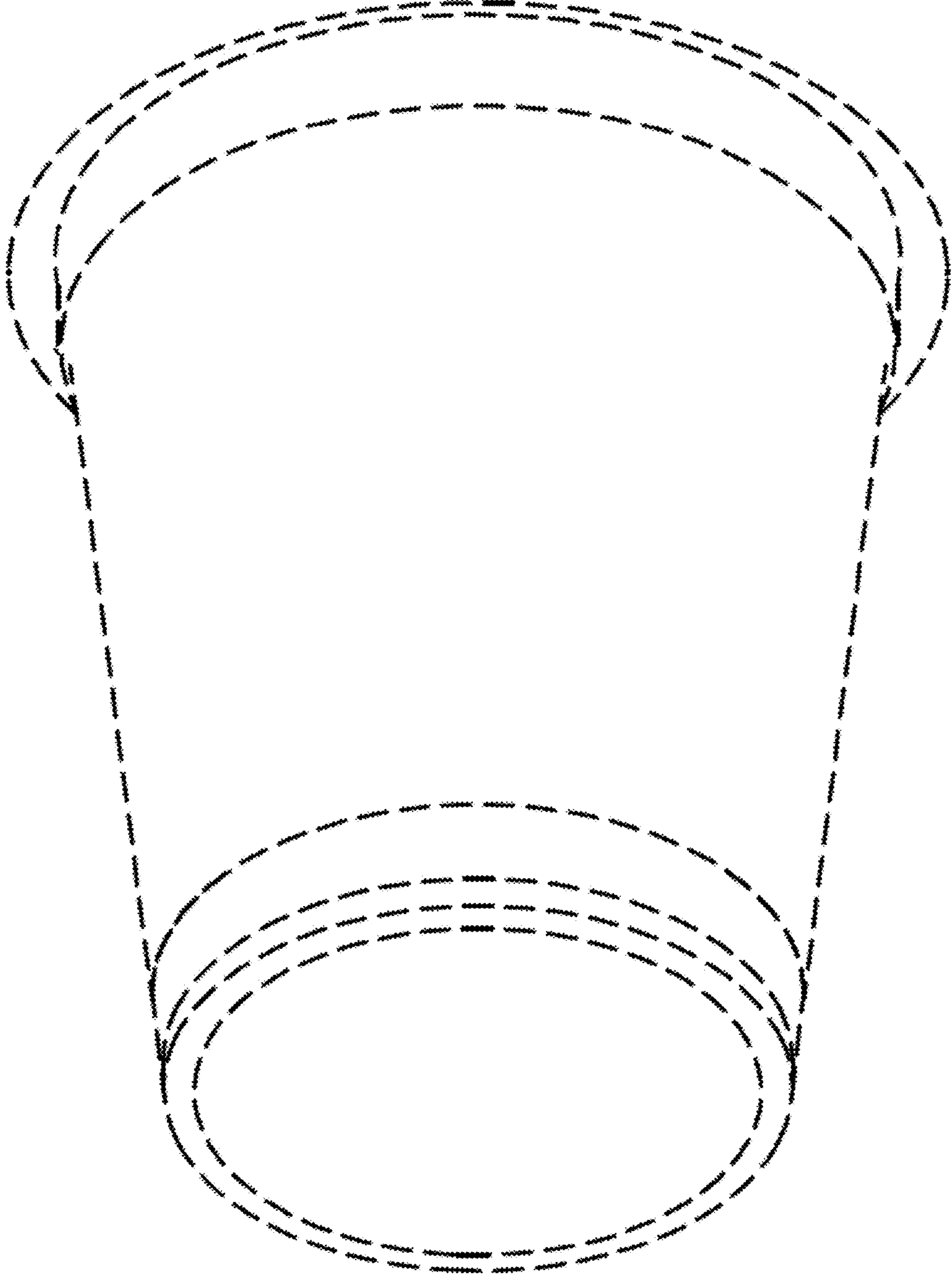


Fig. 2

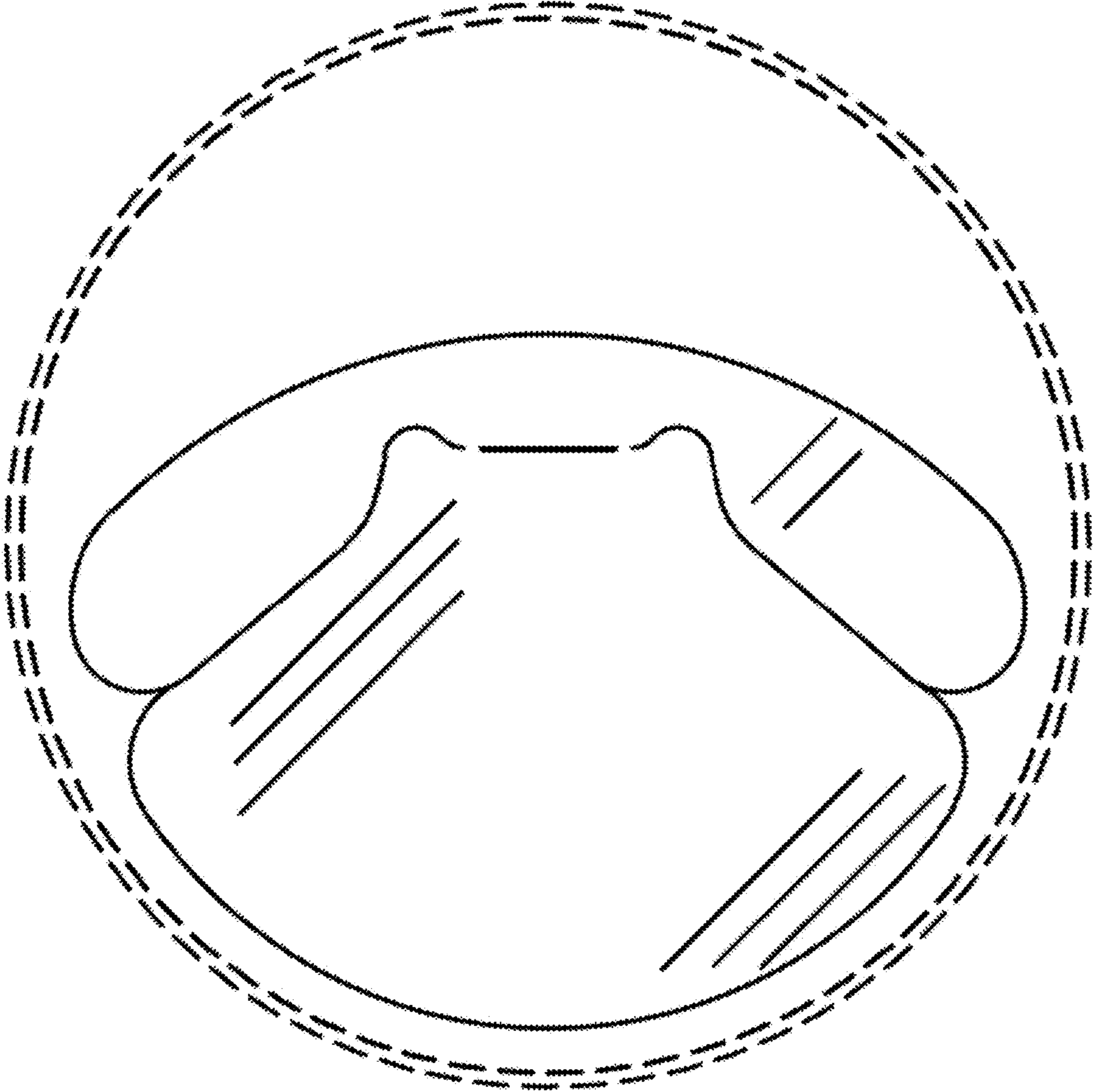


Fig. 3

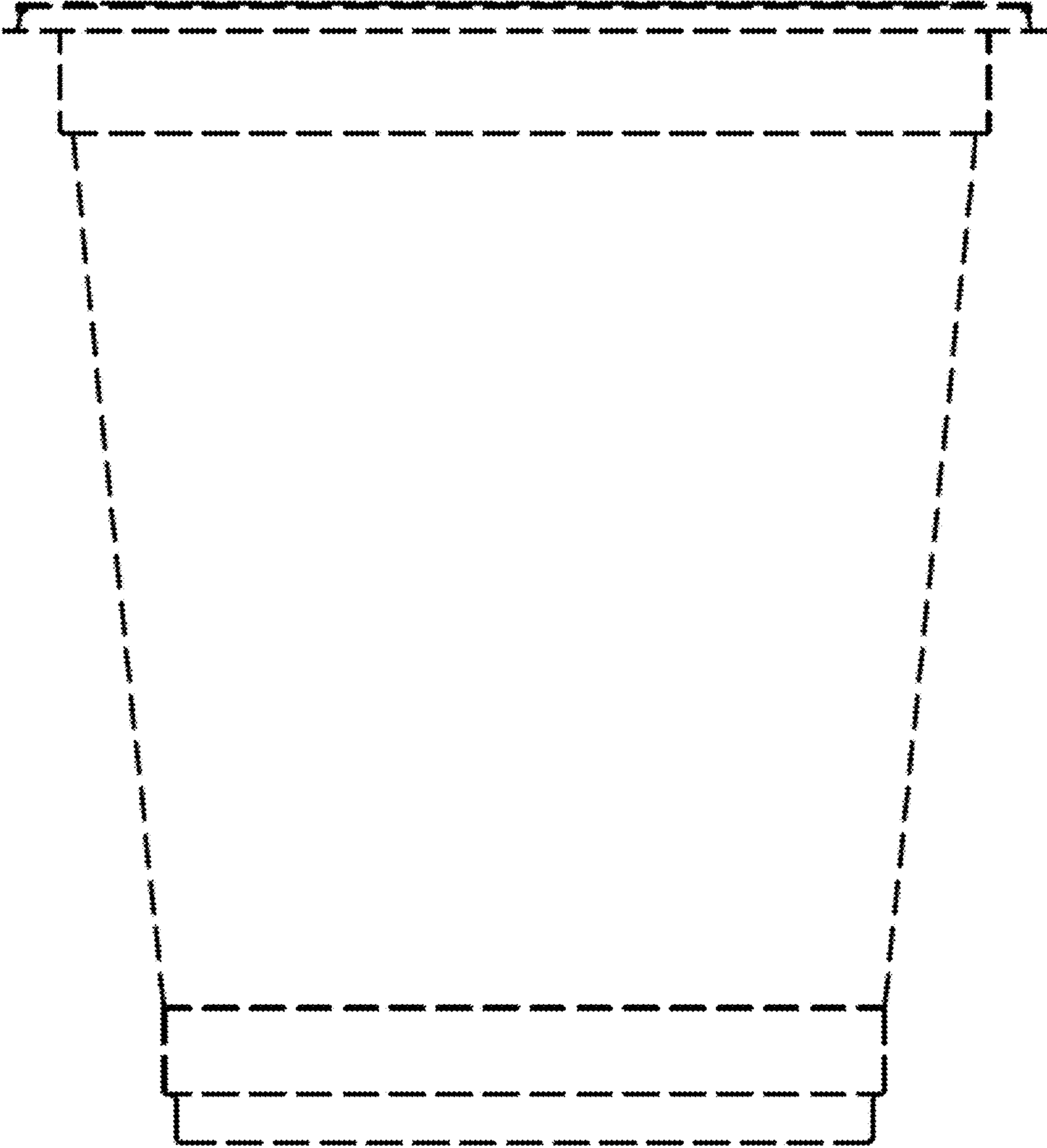


Fig. 4

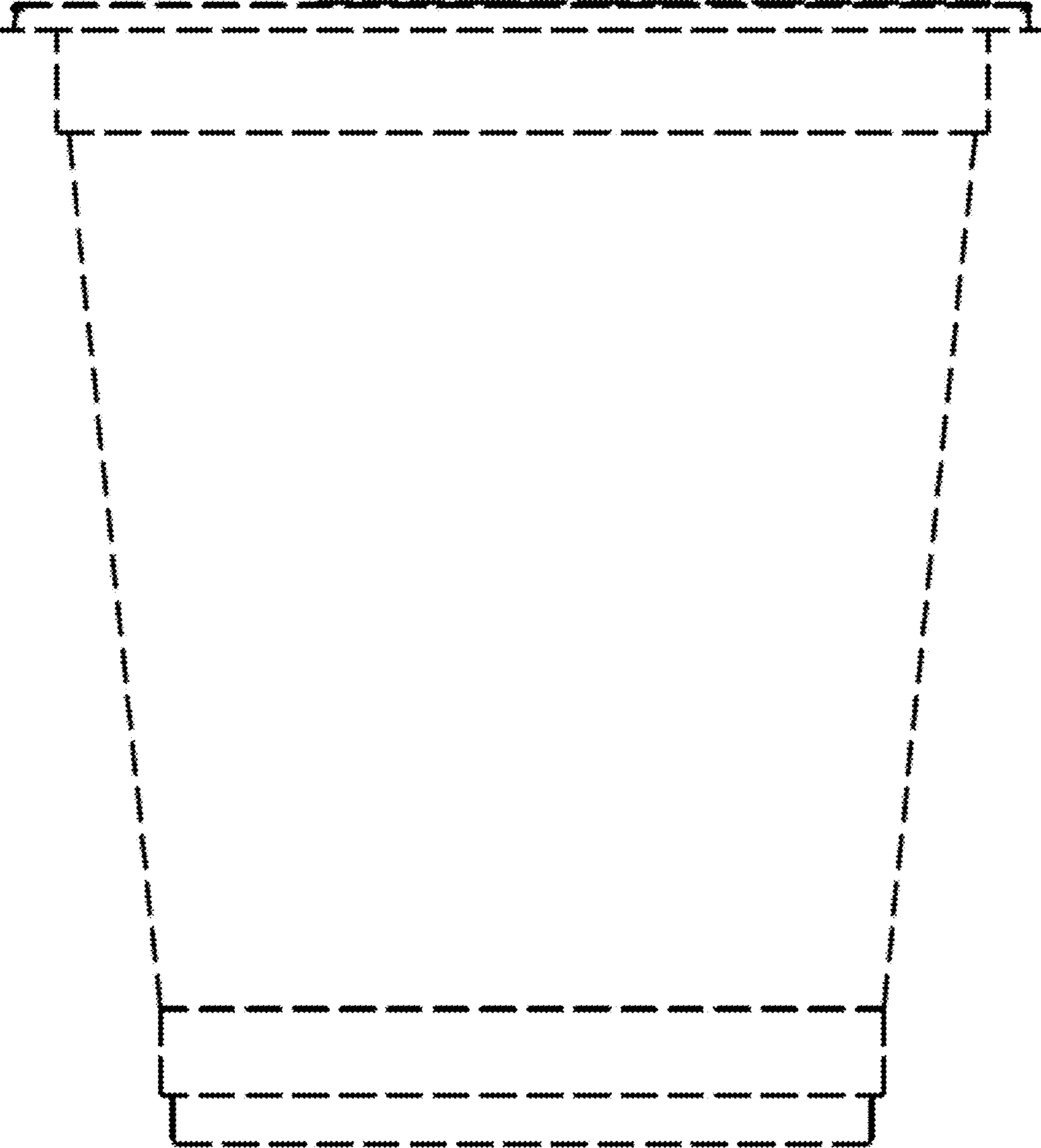


Fig. 5

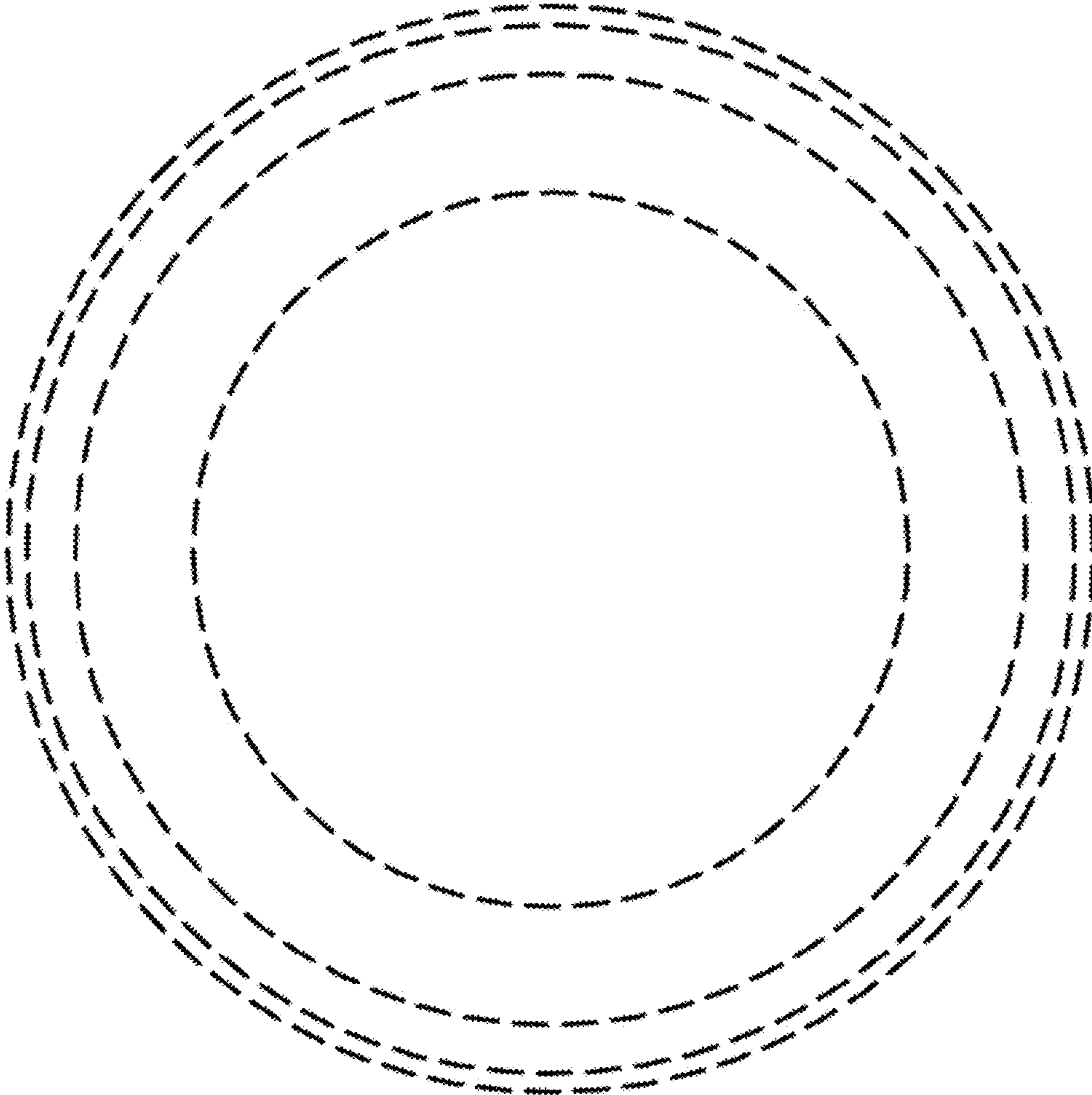


Fig. 6



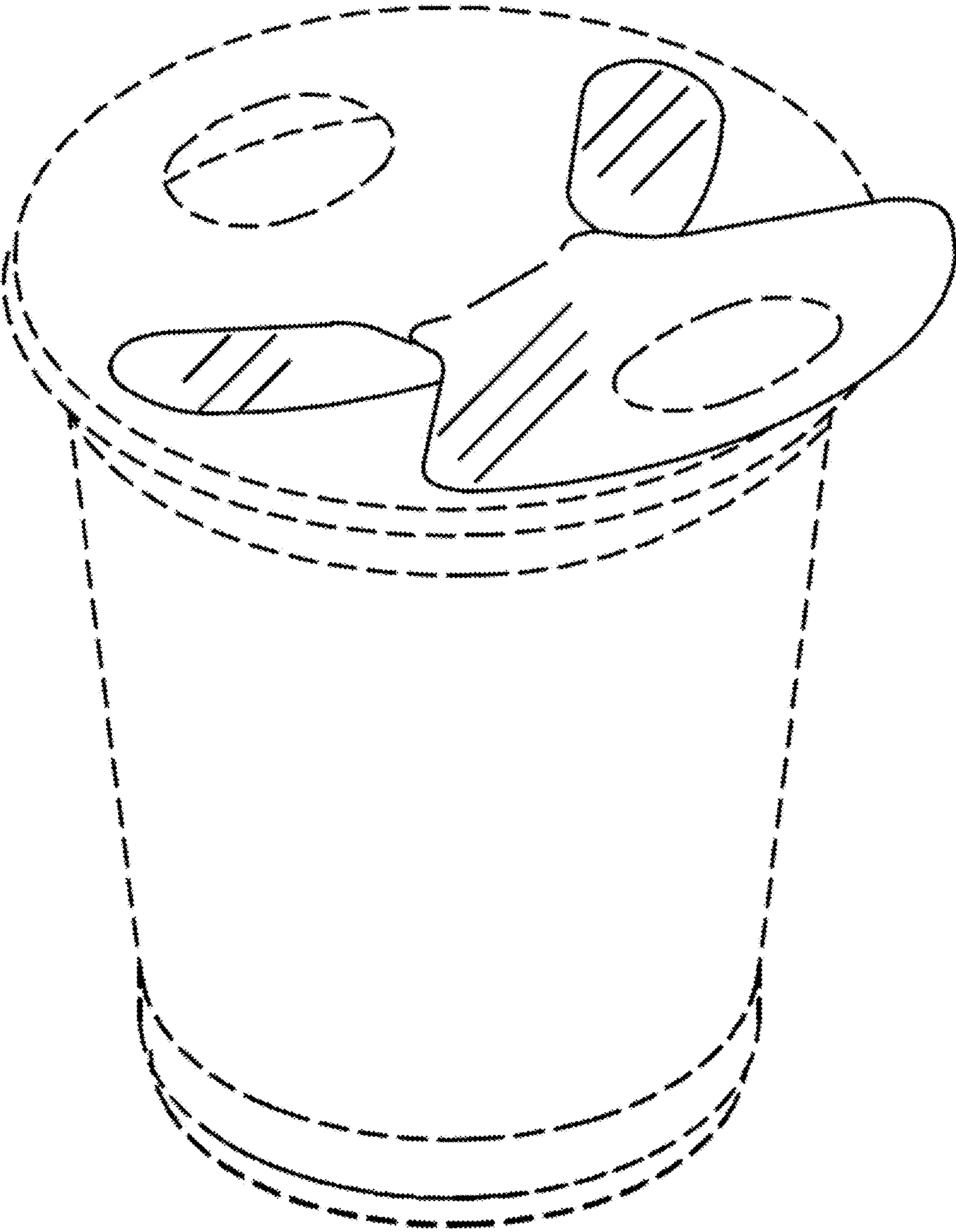


Fig. 7

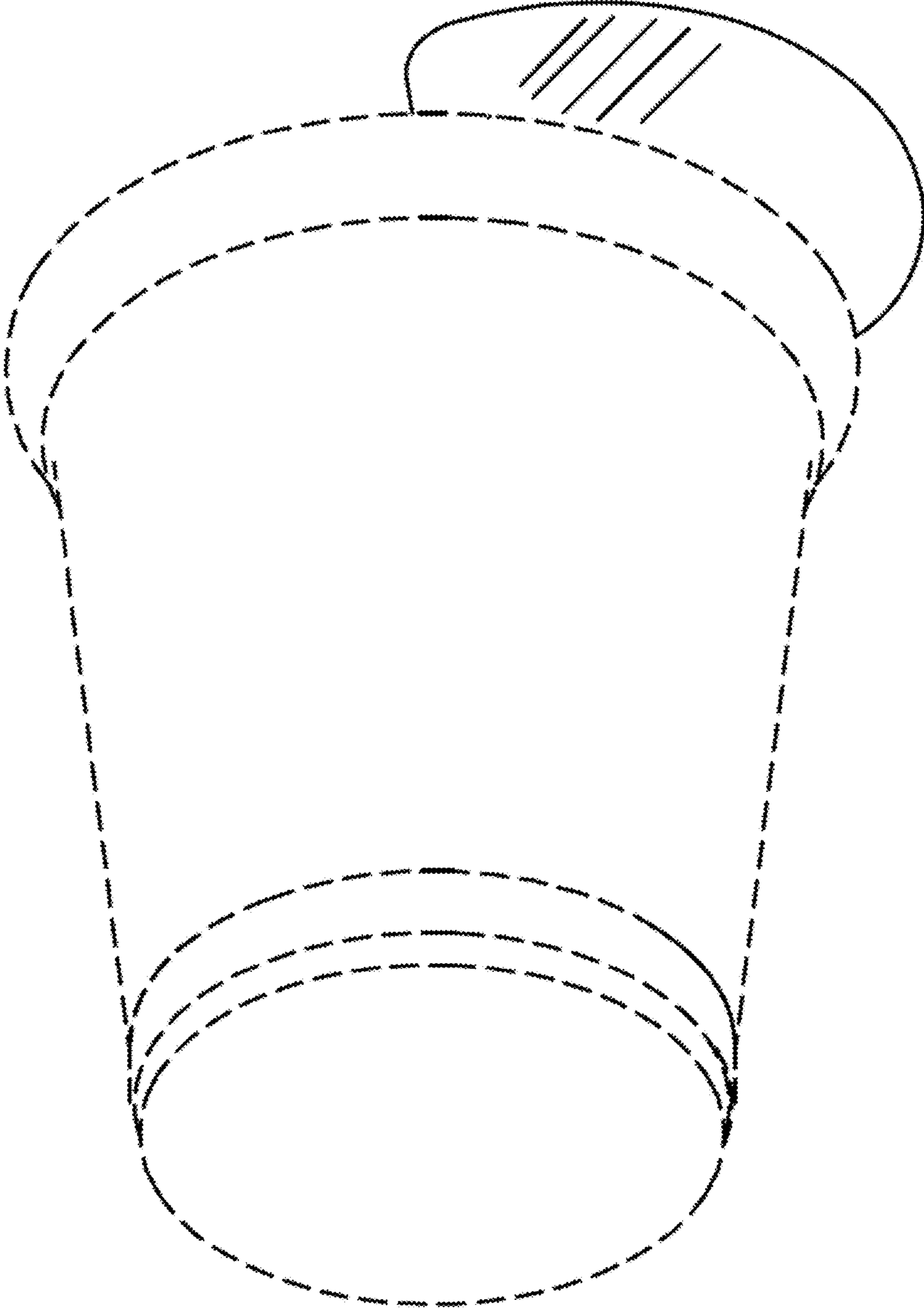


Fig. 8

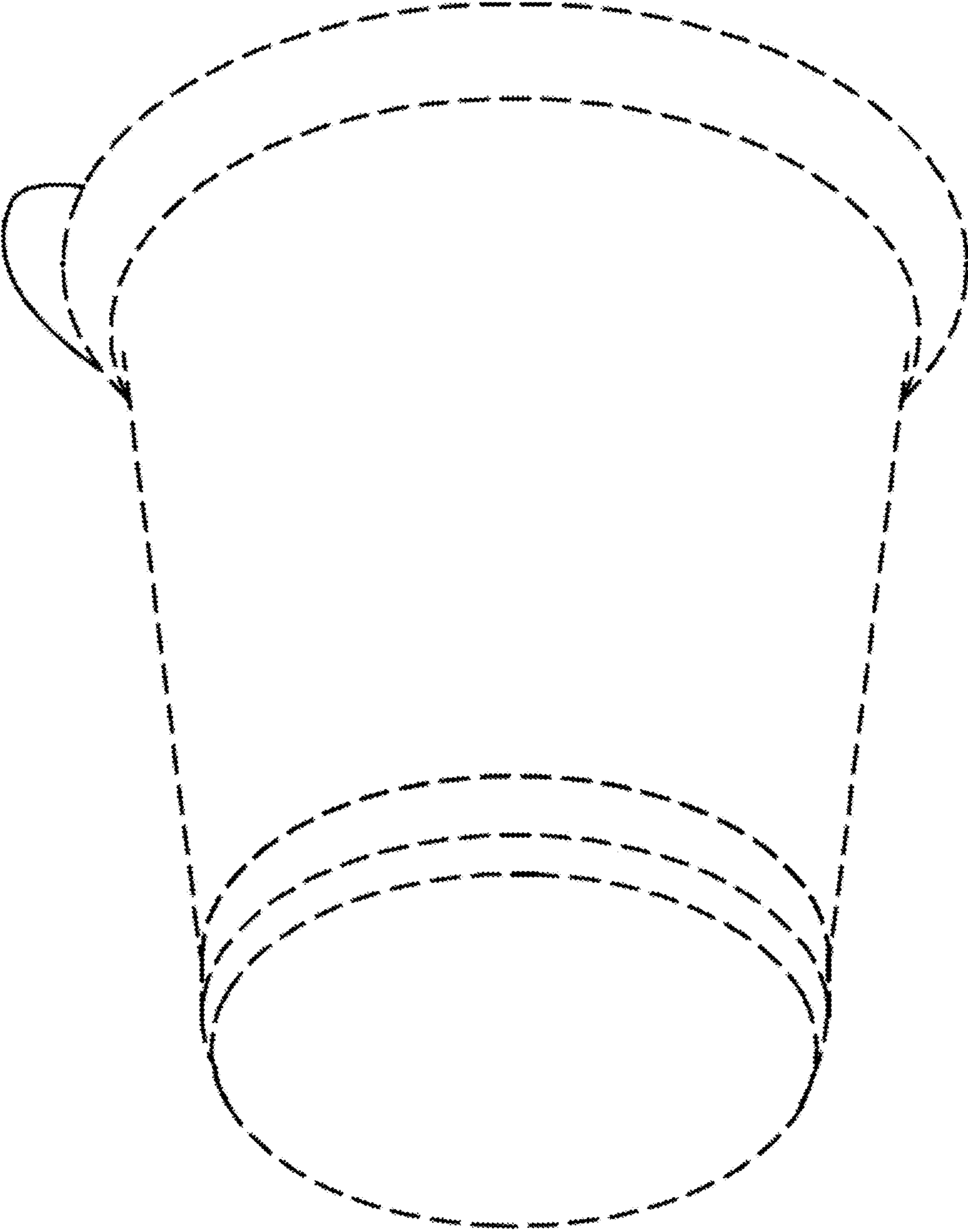


Fig. 9

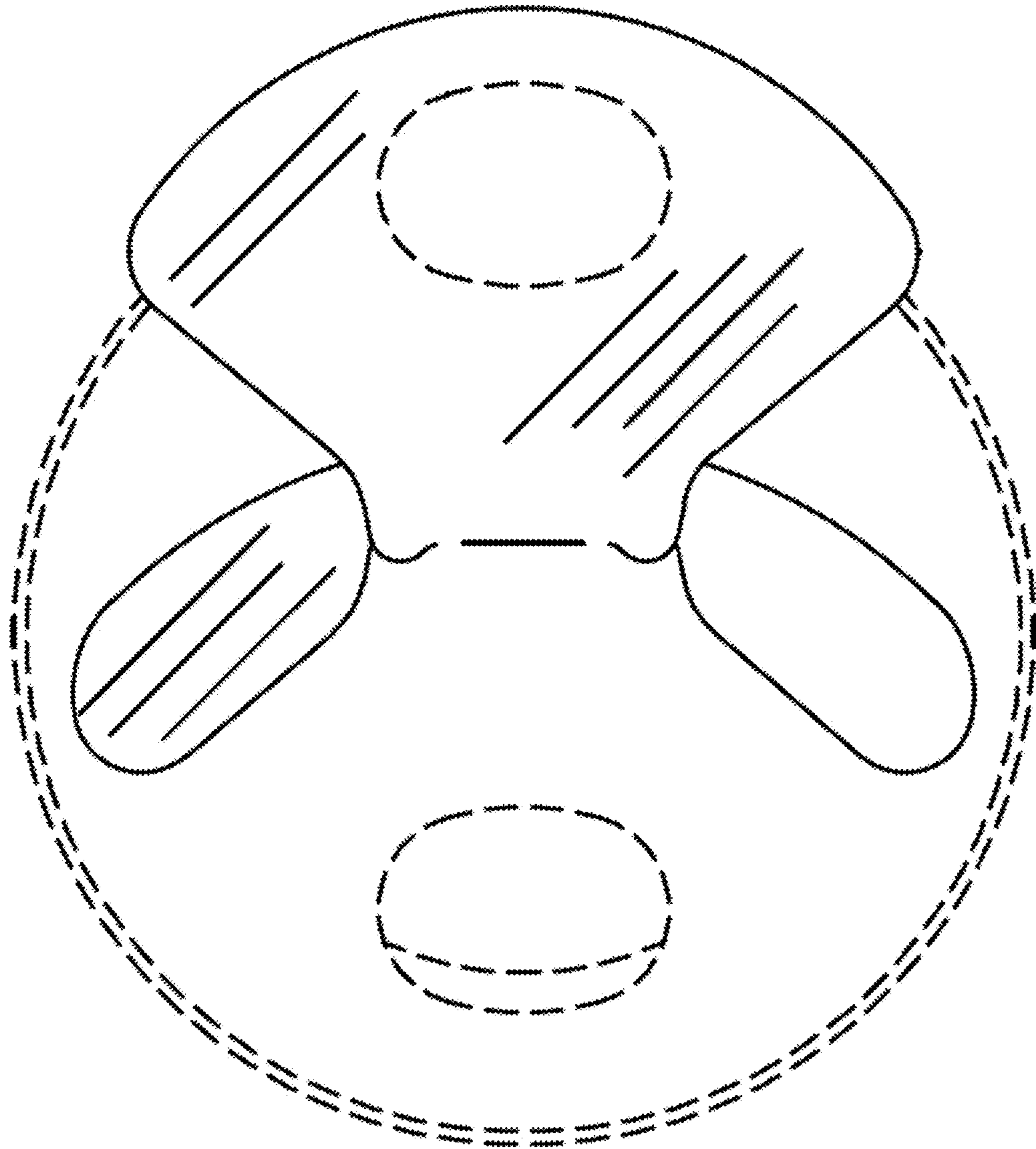


Fig. 10

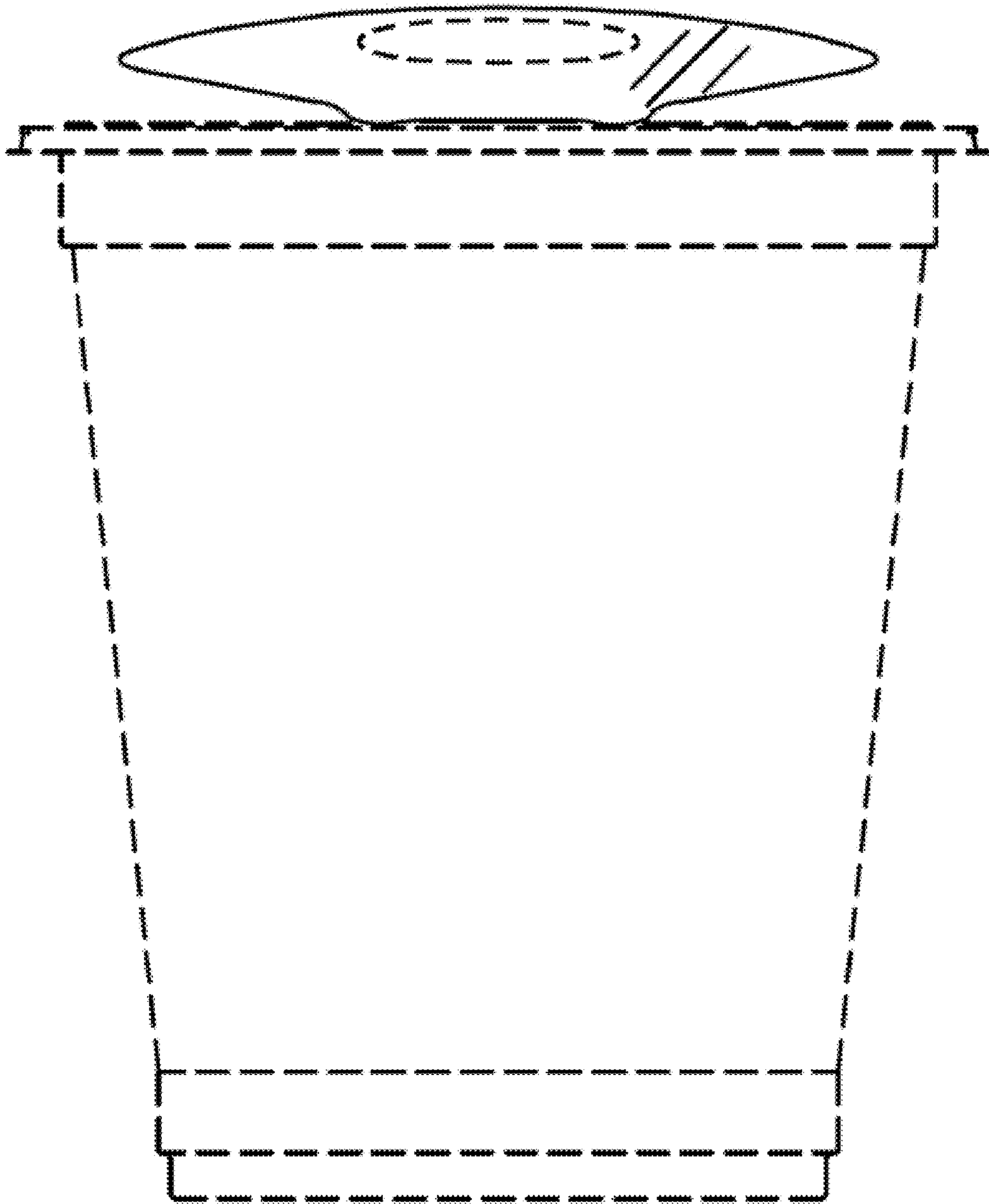


Fig. 11

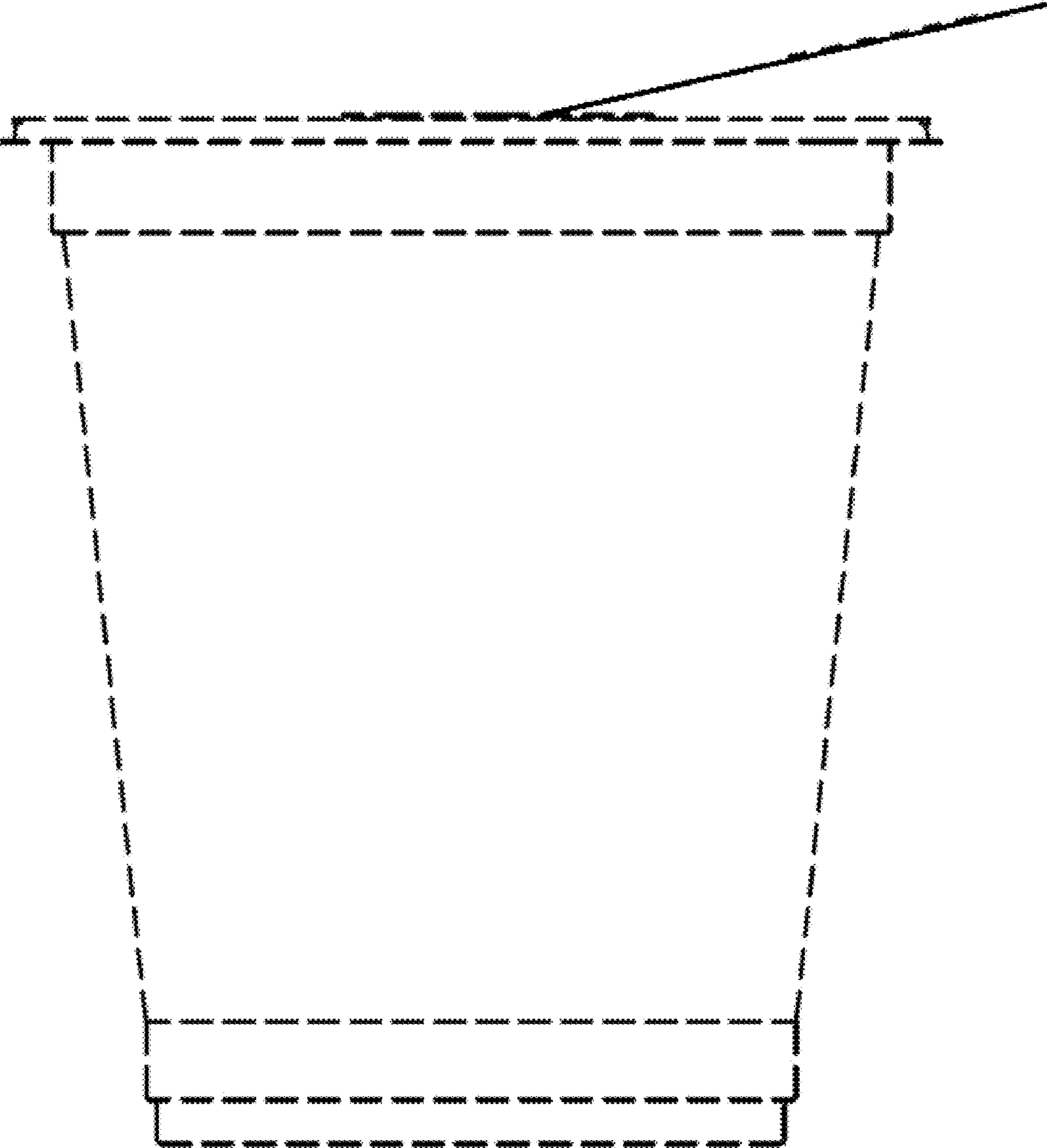


Fig. 12

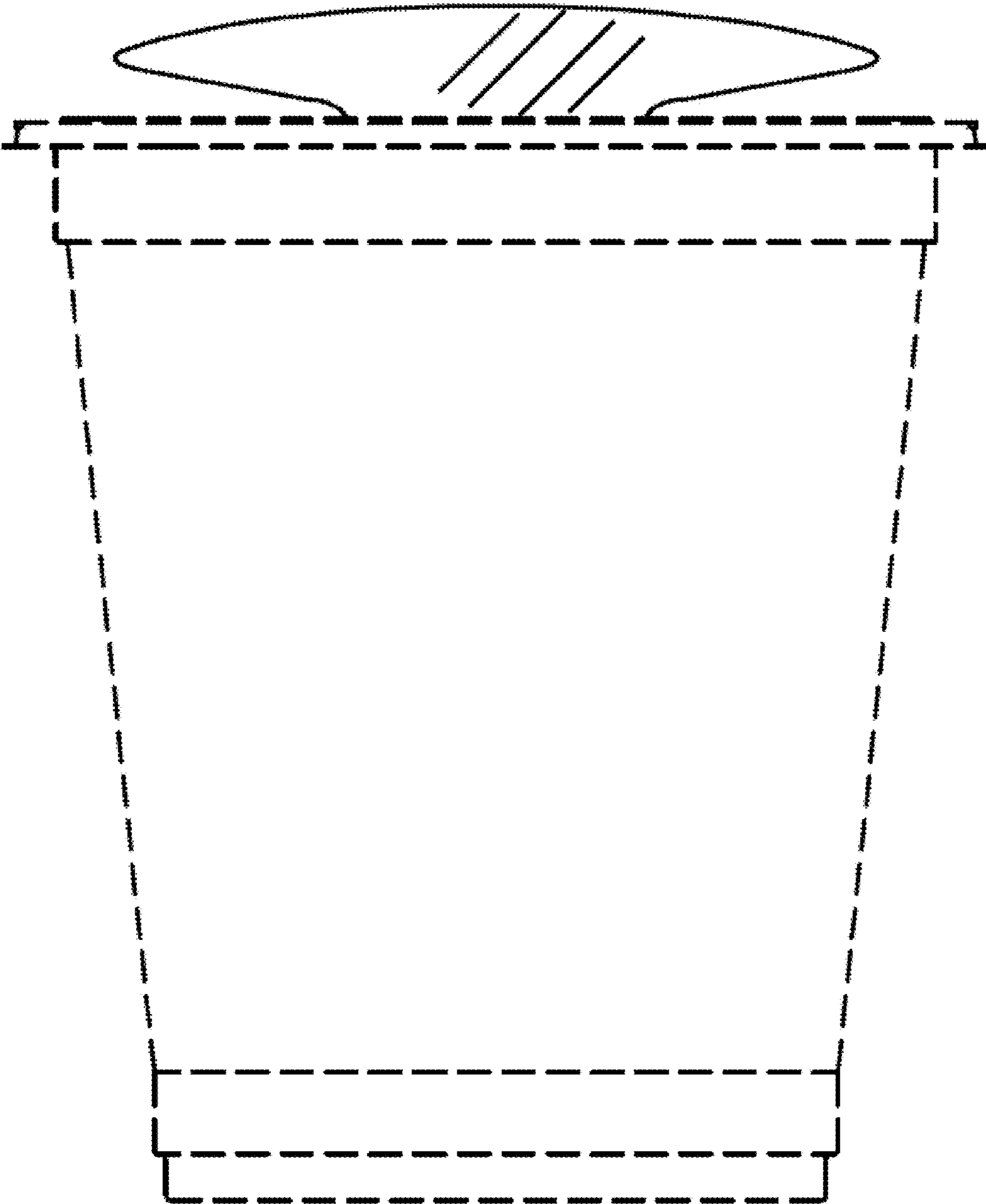


Fig. 13

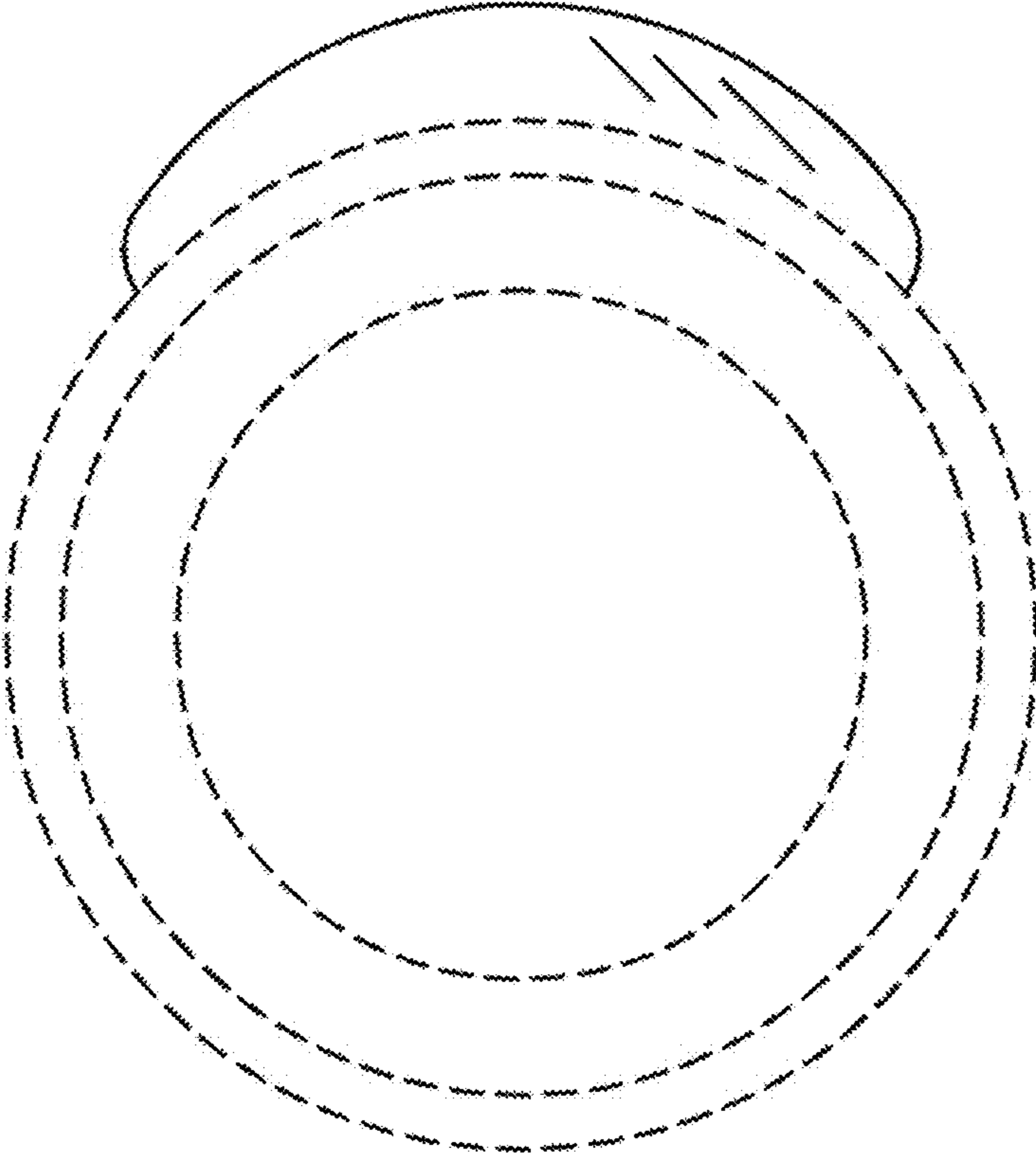


Fig. 14