



US00D798146S

(12) **United States Design Patent** (10) **Patent No.:** **US D798,146 S**
Goenka (45) **Date of Patent:** **** Sep. 26, 2017**

(54) **PACKAGE**

D712,748 S * 9/2014 Akana D9/721
D763,684 S * 8/2016 O'Neill D9/432
D764,910 S * 8/2016 Akana D9/432

(71) Applicant: **WELSPUN INDIA LIMITED,**
Mumbai (IN)

* cited by examiner

(72) Inventor: **Dipali Goenka,** Mumbai (IN)

Primary Examiner — Cynthia Underwood

(73) Assignee: **WELSPUN INDIA LIMITED,**
Mumbai, Maharashtra (IN)

(74) *Attorney, Agent, or Firm* — Baker & Hostetler LLP;
Gregory A. Grissett

(**) Term: **15 Years**

(21) Appl. No.: **29/540,436**

(57) **CLAIM**

(22) Filed: **Sep. 24, 2015**

The design of a package, as shown and described.

(30) **Foreign Application Priority Data**

Sep. 15, 2015 (IN) 275628

DESCRIPTION

(51) **LOC (10) Cl.** **09-03**

(52) **U.S. Cl.**
USPC **D9/432**

(58) **Field of Classification Search**
USPC D9/430, 432, 433, 431, 756, 426, 725,
D9/425, 242, 761, 418; D7/543, 545,
D7/602, 552.2, 538, 553.1, 553.2, 555,
D7/541; 229/112; D6/518

FIG. 1 is a top, front, right perspective view of a package according to a first embodiment of our design; FIG. 2 is a front elevation view thereof; FIG. 3 is a rear elevation view thereof; FIG. 4 is a left side elevation view thereof; FIG. 5 is a right side elevation view thereof; FIG. 6 is a top plan view thereof; and, FIG. 7 is a bottom plan view thereof.

CPC B65D 1/00; B65D 5/4291; B65D 5/38;
B65D 1/225; B65D 5/002; A47F 5/11
See application file for complete search history.

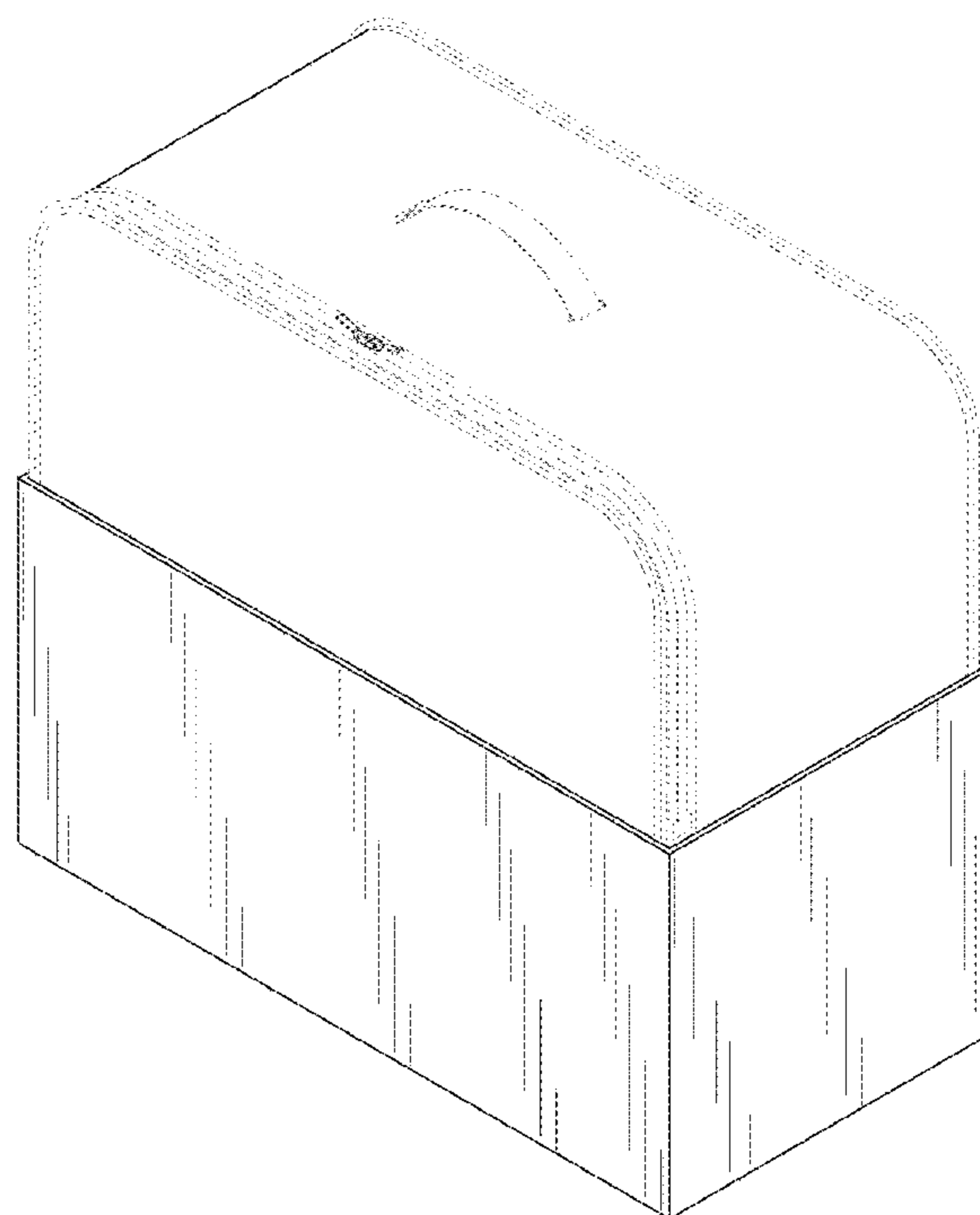
The dashed line portions of the figure drawings, including the binding, zipper, handle and bedding article inside the package system, are included to show unclaimed subject matter only and forms no part of the claimed design. In a preferred embodiment, the nature of this product is a package for bedding articles.

(56) **References Cited**

U.S. PATENT DOCUMENTS

D609,116 S * 2/2010 Kim D9/721
D677,563 S * 3/2013 Andre D9/418

1 Claim, 7 Drawing Sheets



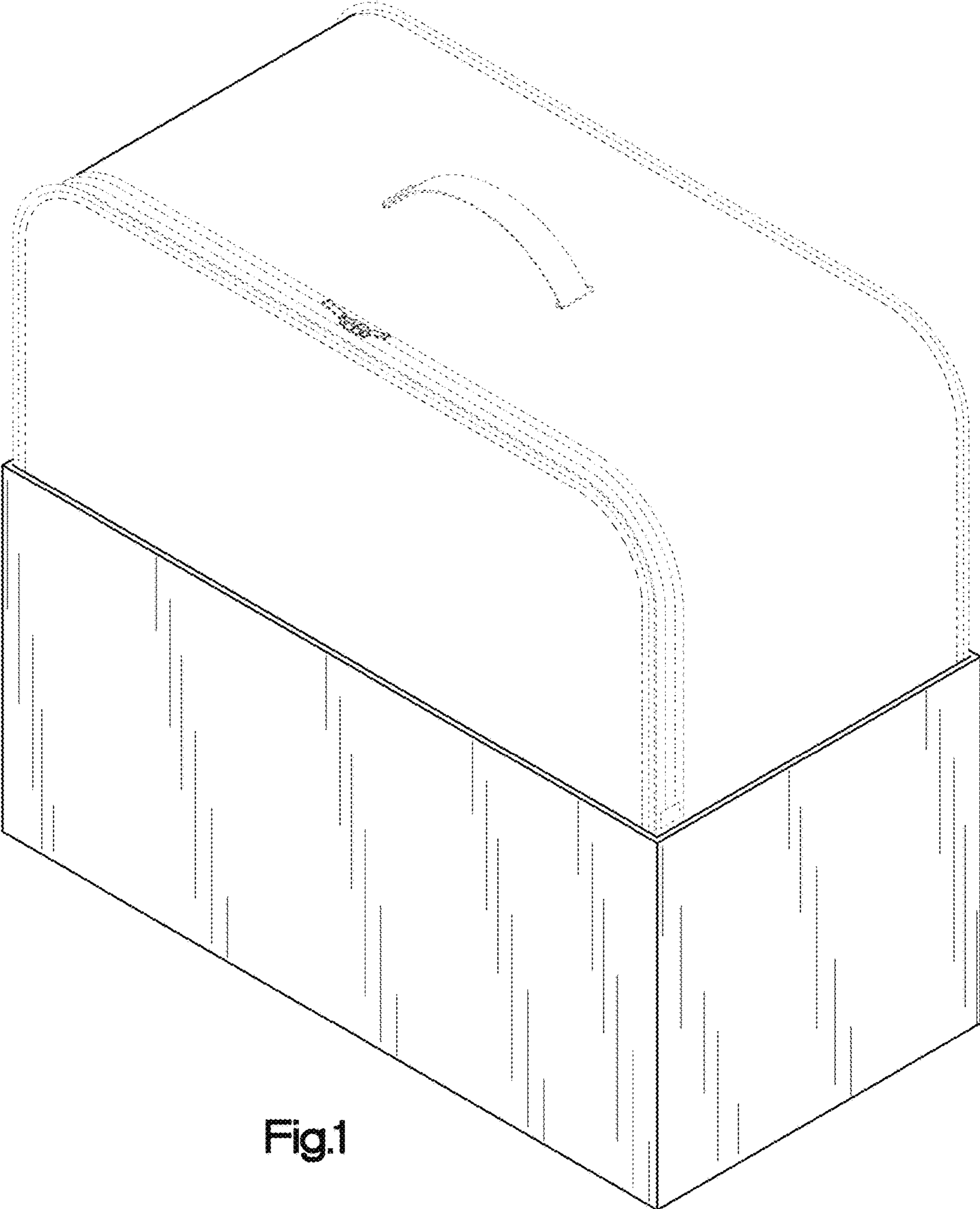


Fig. 1

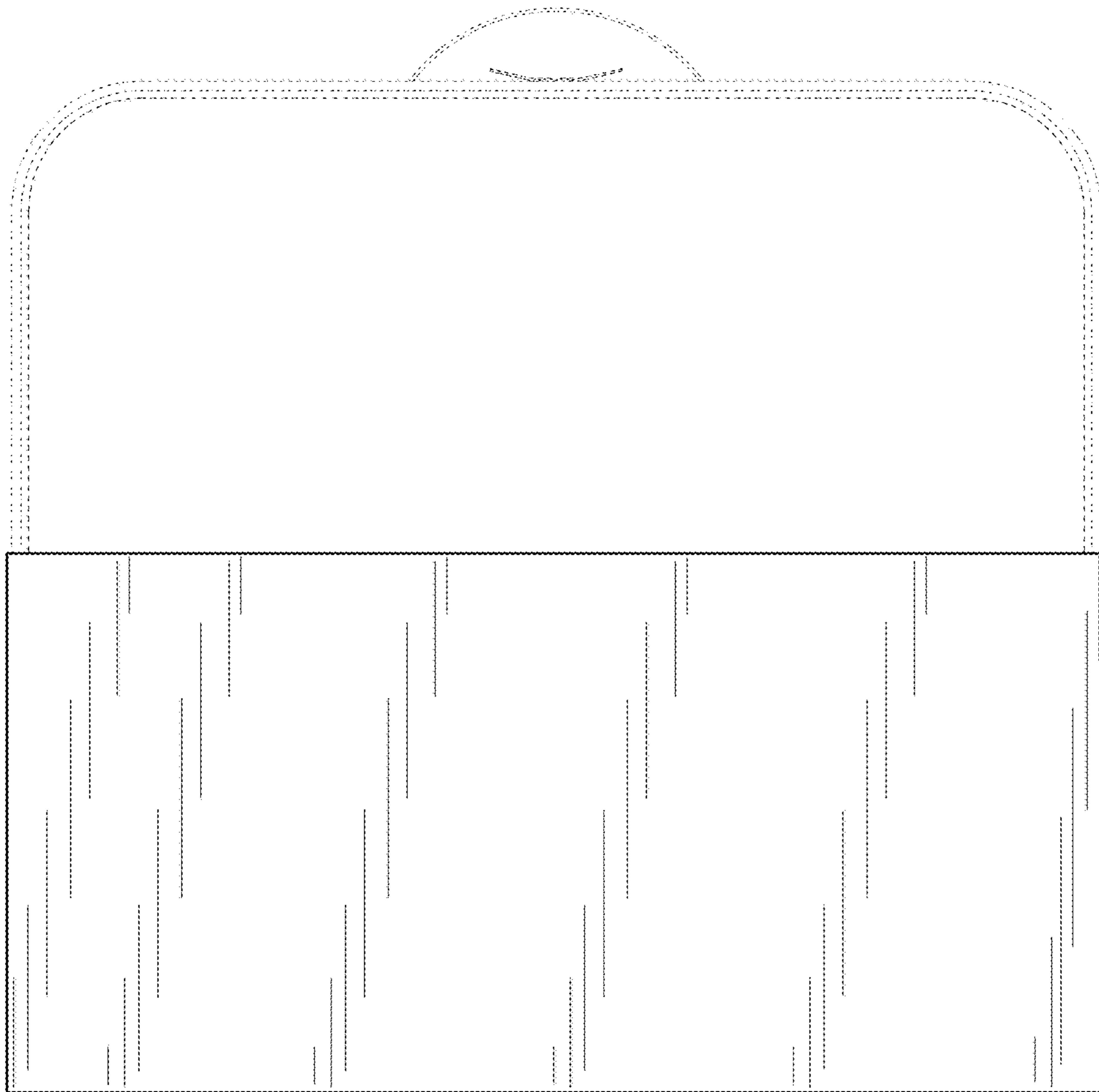


Fig.2

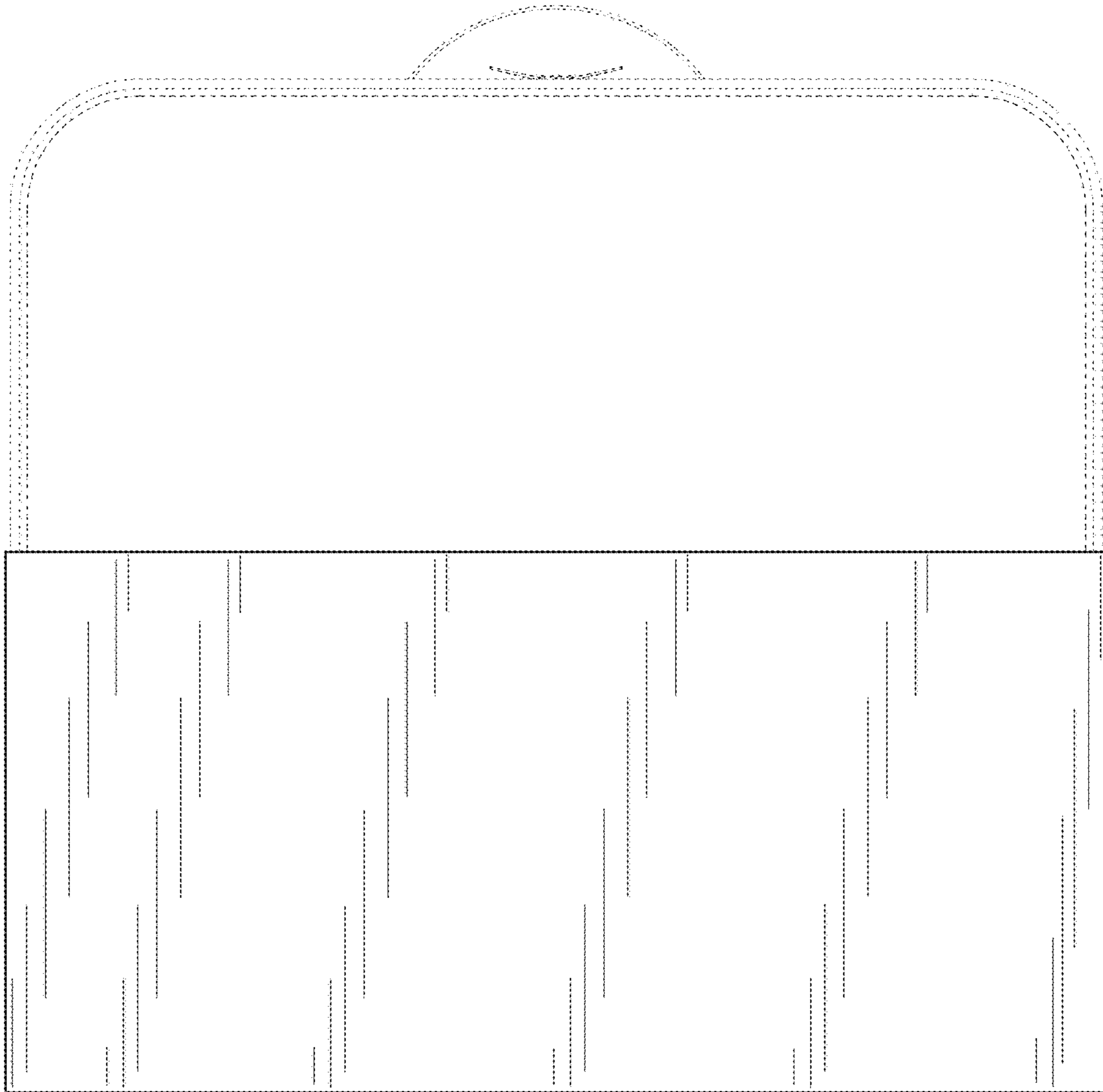


Fig.3

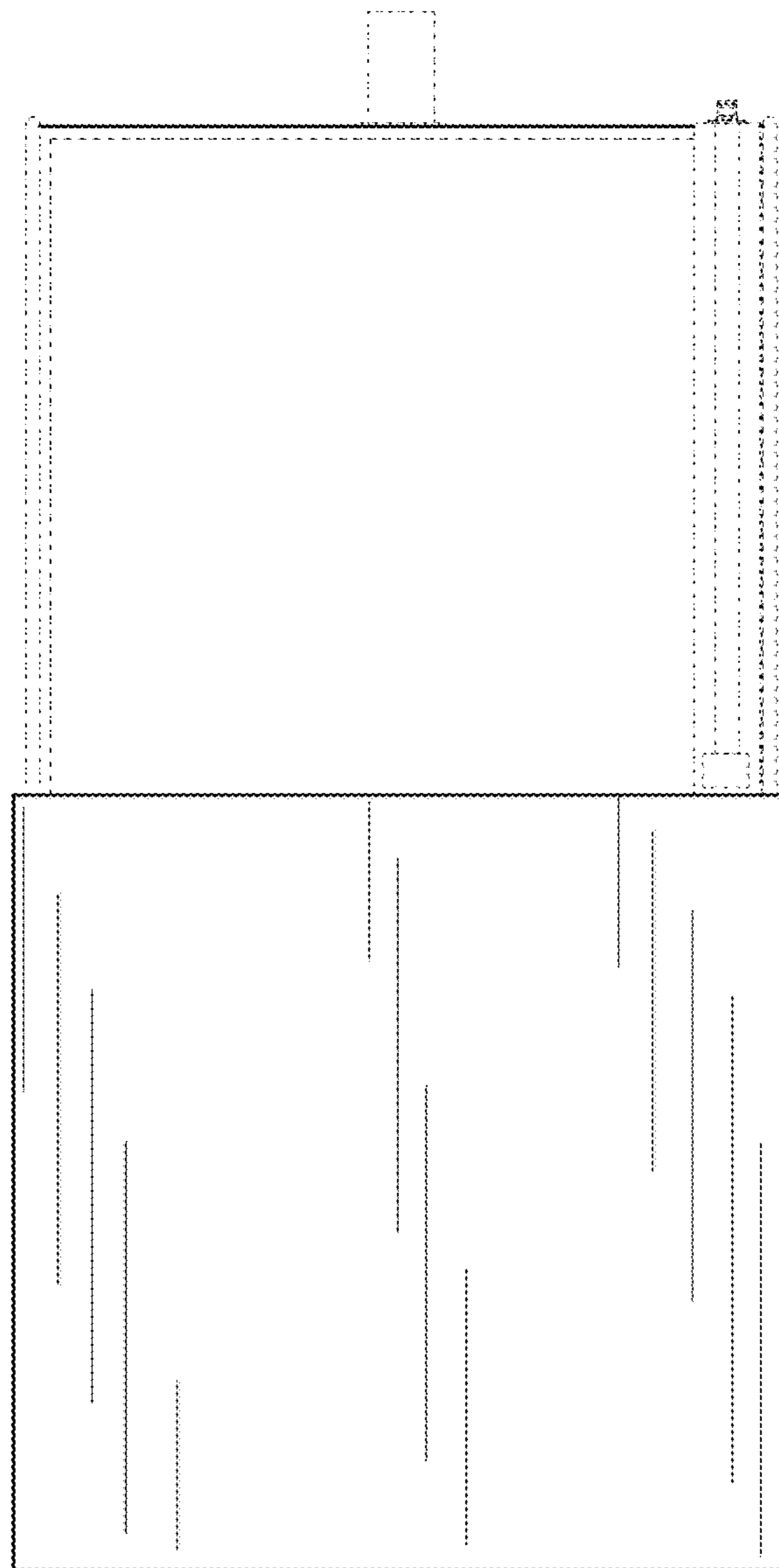


Fig.4

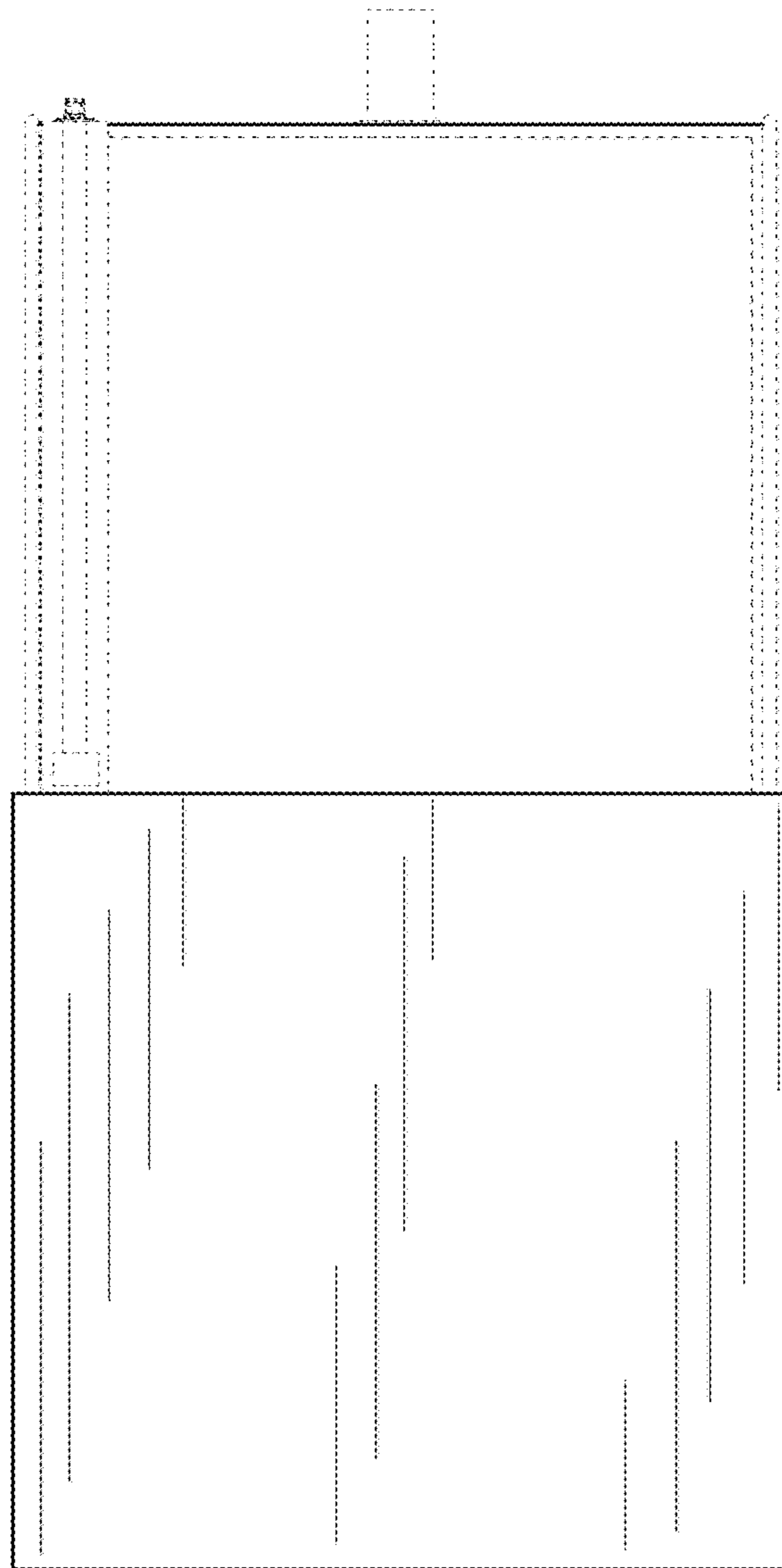


Fig.5

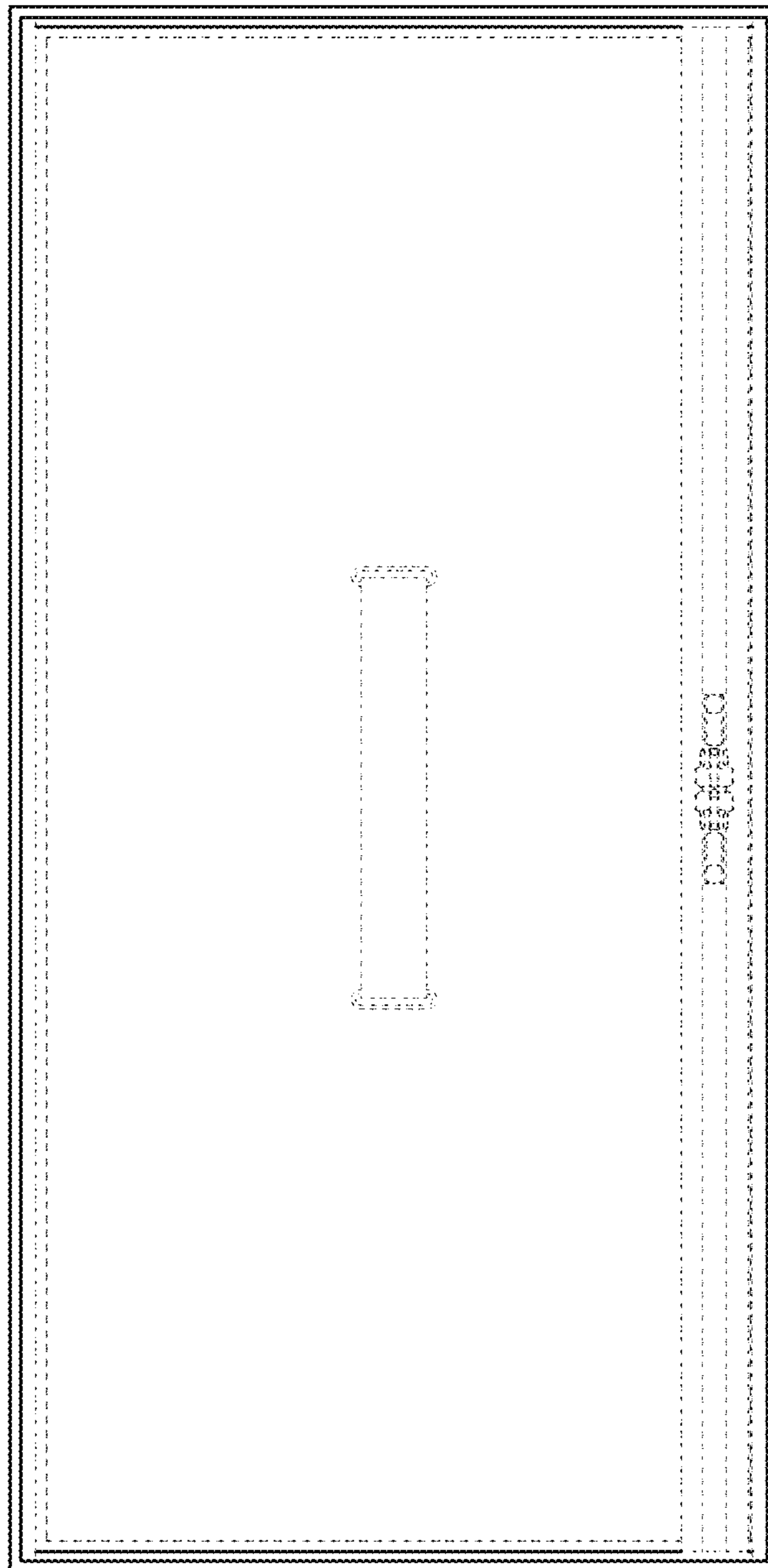


Fig. 6

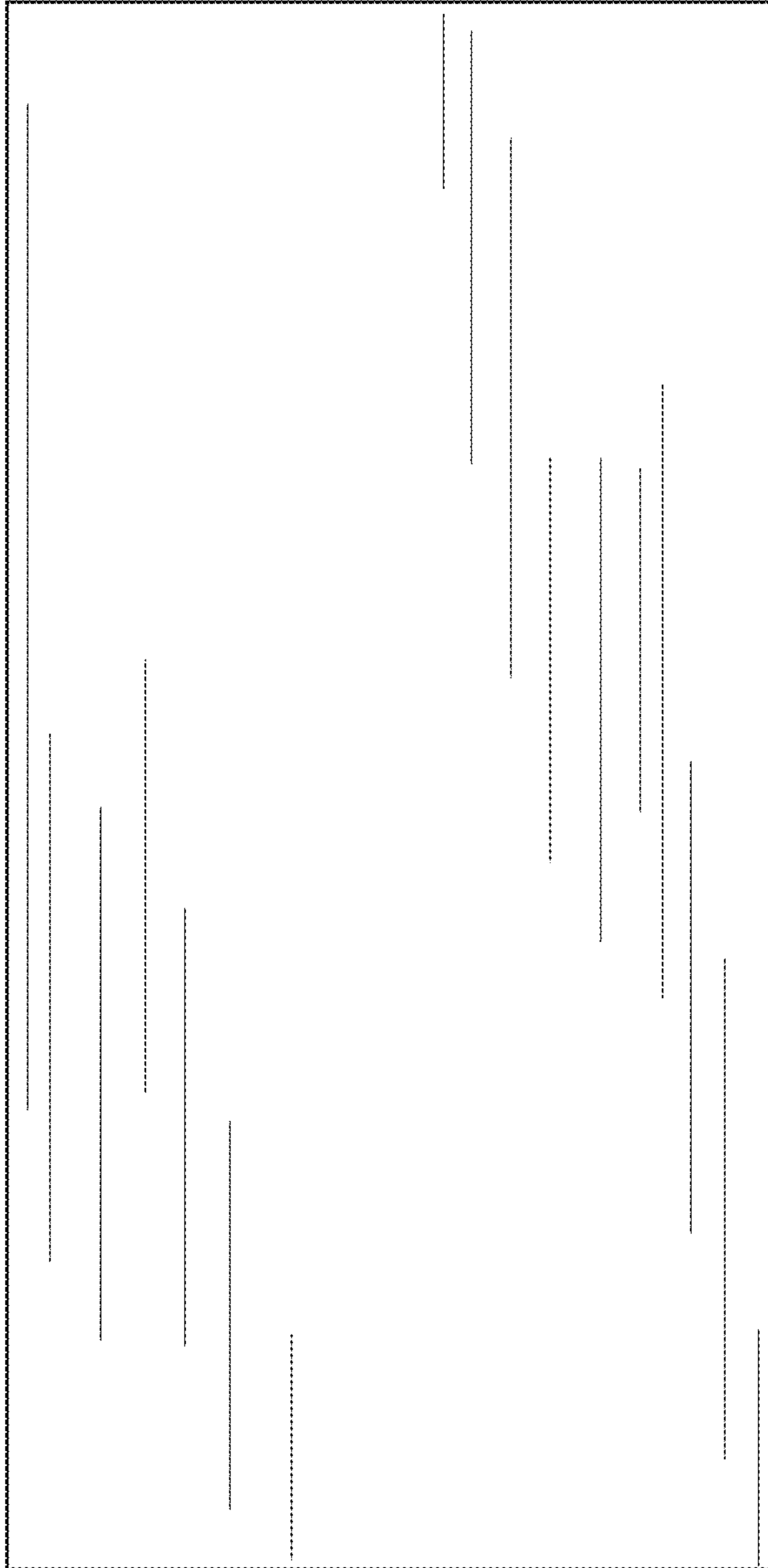


Fig.7