



US00D798145S

(12) **United States Design Patent**
Komai

(10) **Patent No.:** **US D798,145 S**

(45) **Date of Patent:** **** Sep. 26, 2017**

(54) **CONTAINER**

(71) Applicant: **Mao Komai**, Tokyo (JP)

(72) Inventor: **Mao Komai**, Tokyo (JP)

(73) Assignee: **SHISEIDO CO., LTD.**, Tokyo (JP)

(**) Term: **15 Years**

(21) Appl. No.: **29/545,358**

(22) Filed: **Nov. 12, 2015**

(51) **LOC (10) Cl.** **09-03**

(52) **U.S. Cl.**

USPC **D9/428**

(58) **Field of Classification Search**

USPC D9/426, 428, 516, 520, 529, 530, 537,
D9/538, 539, 549, 551, 558, 737, 738,
D9/779, 780; D7/354-360, 402, 601,
D7/602, 608, 612, 701, 703, 705

CPC B65D 21/0223; B65D 2543/00092; B65D
1/0215; B65D 25/28; B65D 81/3446

See application file for complete search history.

(56) **References Cited**

U.S. PATENT DOCUMENTS

| | | | | |
|---------------|---------|----------|-------|------------|
| D241,601 S * | 9/1976 | Cook | | D7/355 |
| 4,157,707 A * | 6/1979 | Schwind | | A47J 27/58 |
| | | | | 126/386.1 |
| D253,218 S * | 10/1979 | Johnson | | D7/352 |
| D276,022 S * | 10/1984 | Bowen | | D7/360 |
| 5,020,686 A * | 6/1991 | Dutt | | B65D 17/06 |
| | | | | 220/269 |
| D338,636 S * | 8/1993 | Moore | | D11/152 |
| D348,001 S * | 6/1994 | Smith | | D9/428 |
| D491,024 S * | 6/2004 | Welsh | | D7/629 |
| D496,556 S * | 9/2004 | Skrocki | | D7/391 |
| D508,378 S * | 8/2005 | Bertulis | | D7/629 |
| D516,372 S * | 3/2006 | Morgan | | D7/356 |
| D523,293 S * | 6/2006 | Disbrow | | D7/619.1 |
| D530,564 S * | 10/2006 | Chiba | | D7/360 |

| | | | | |
|-------------------|---------|-------------|-------|--------------|
| D557,062 S * | 12/2007 | Henry | | D7/360 |
| D575,114 S * | 8/2008 | Moghavem | | D7/629 |
| D581,206 S * | 11/2008 | Roussard | | D7/358 |
| D604,642 S * | 11/2009 | Di Robilant | | D9/780 |
| D610,393 S * | 2/2010 | Josancy | | D7/354 |
| D660,093 S * | 5/2012 | Kyung | | D7/629 |
| D671,830 S * | 12/2012 | Hudson | | D9/428 |
| D687,705 S * | 8/2013 | Krupa | | D9/425 |
| D703,994 S * | 5/2014 | Tumenbatur | | D7/358 |
| D734,976 S * | 7/2015 | Quinn | | D7/354 |
| D770,845 S * | 11/2016 | Quinn | | D7/354 |
| 2006/0000841 A1 * | 1/2006 | Smay | | B65D 1/0223 |
| | | | | 220/735 |
| 2006/0006187 A1 * | 1/2006 | Kortleven | | B65D 21/0209 |
| | | | | 220/793 |

* cited by examiner

Primary Examiner — Ian Simmons

Assistant Examiner — Keith Frank

(74) *Attorney, Agent, or Firm* — Manabu Kanesaka

(57) **CLAIM**

The ornamental design for a container, as shown and described.

DESCRIPTION

FIG. 1 is a perspective view of a container showing my new design;

FIG. 2 is a front view thereof;

FIG. 3 is a rear view thereof;

FIG. 4 is a plan view thereof;

FIG. 5 is a bottom view thereof;

FIG. 6 is a left side view thereof;

FIG. 7 is a right side view thereof; and,

FIG. 8 is a cross-sectional view thereof along the line 8-8 in FIG. 4.

The broken lines in the drawings showing the container illustrate the portions of the container that form no part of claimed design.

1 Claim, 4 Drawing Sheets

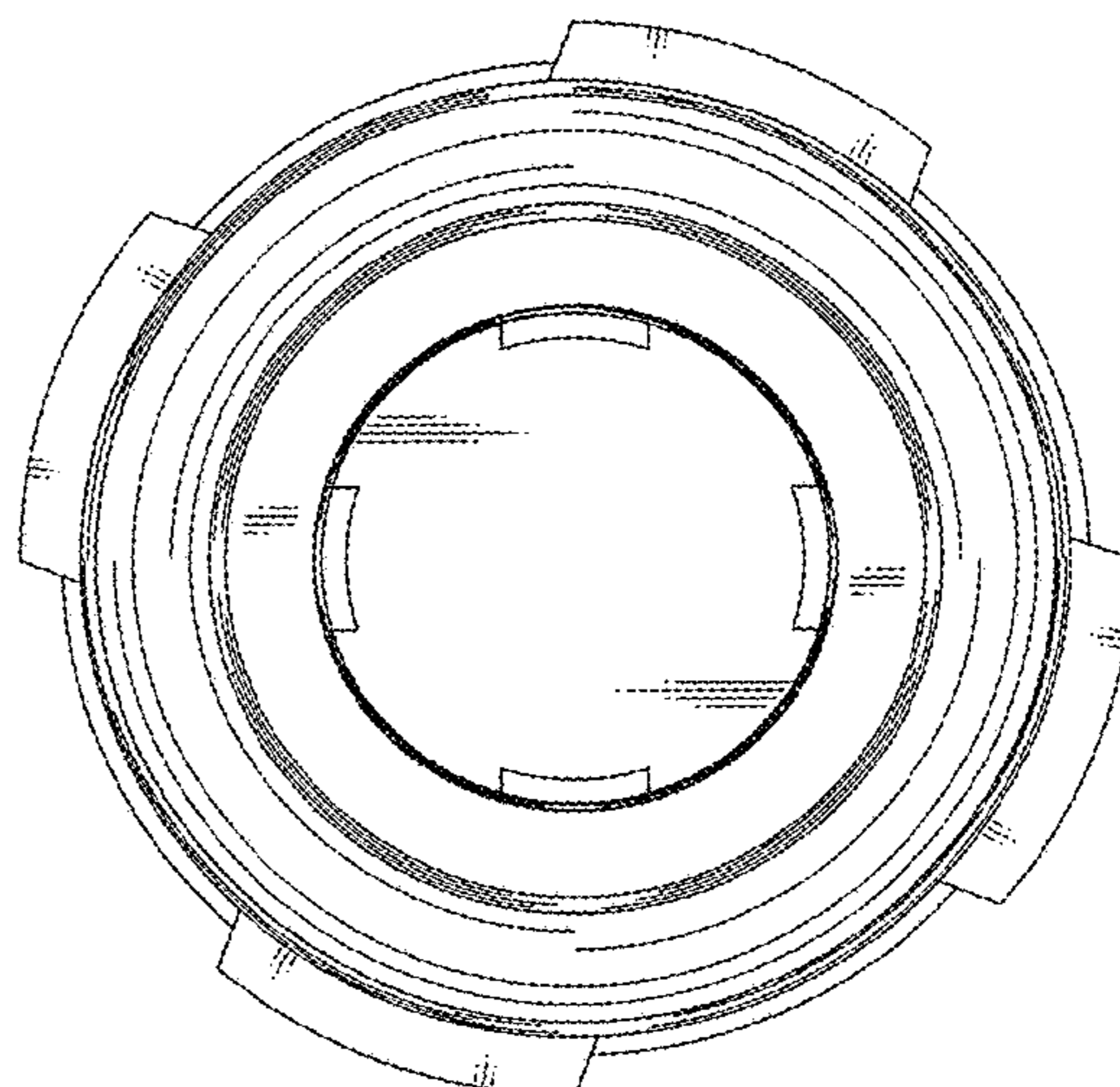
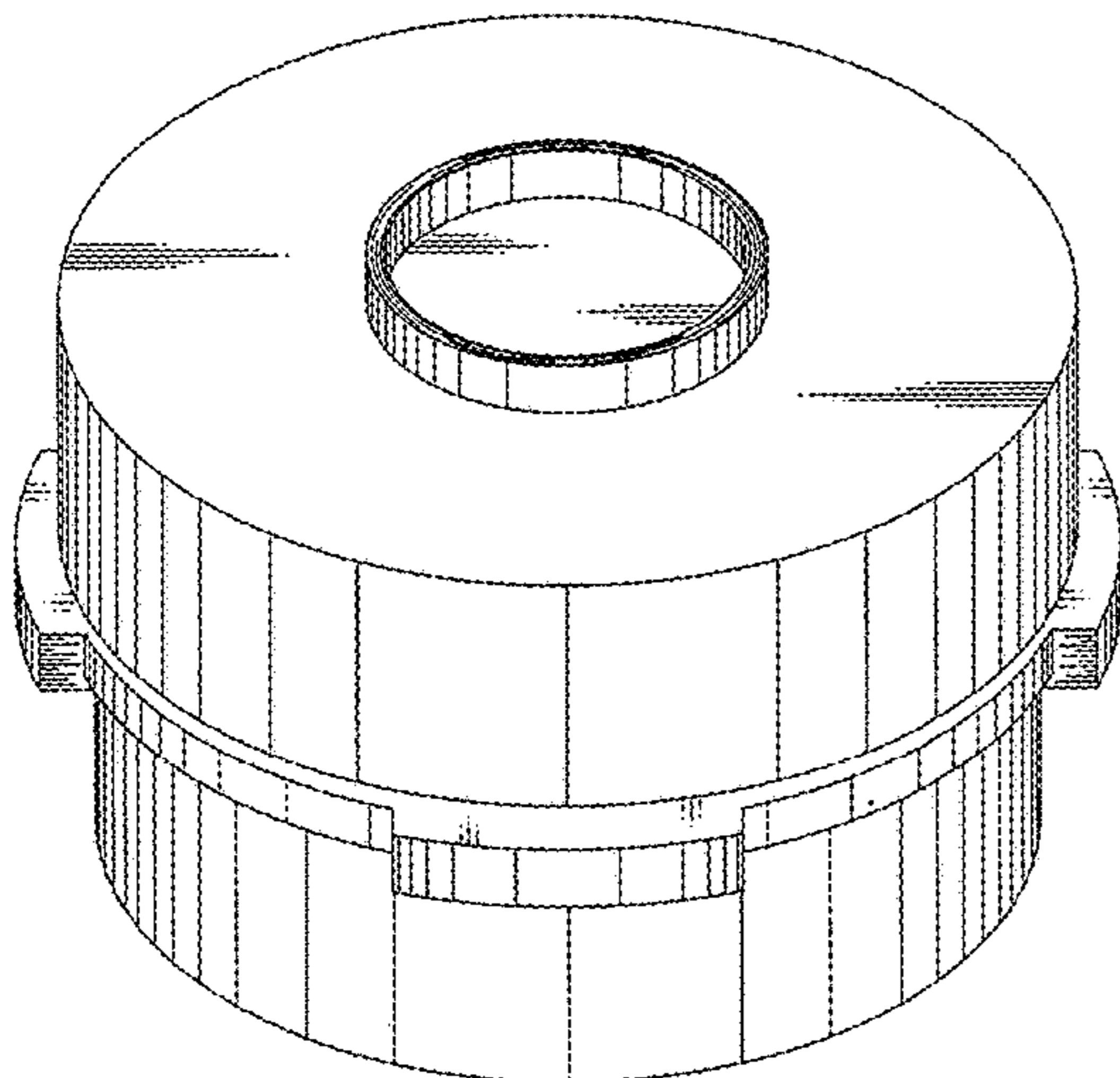


Fig. 1

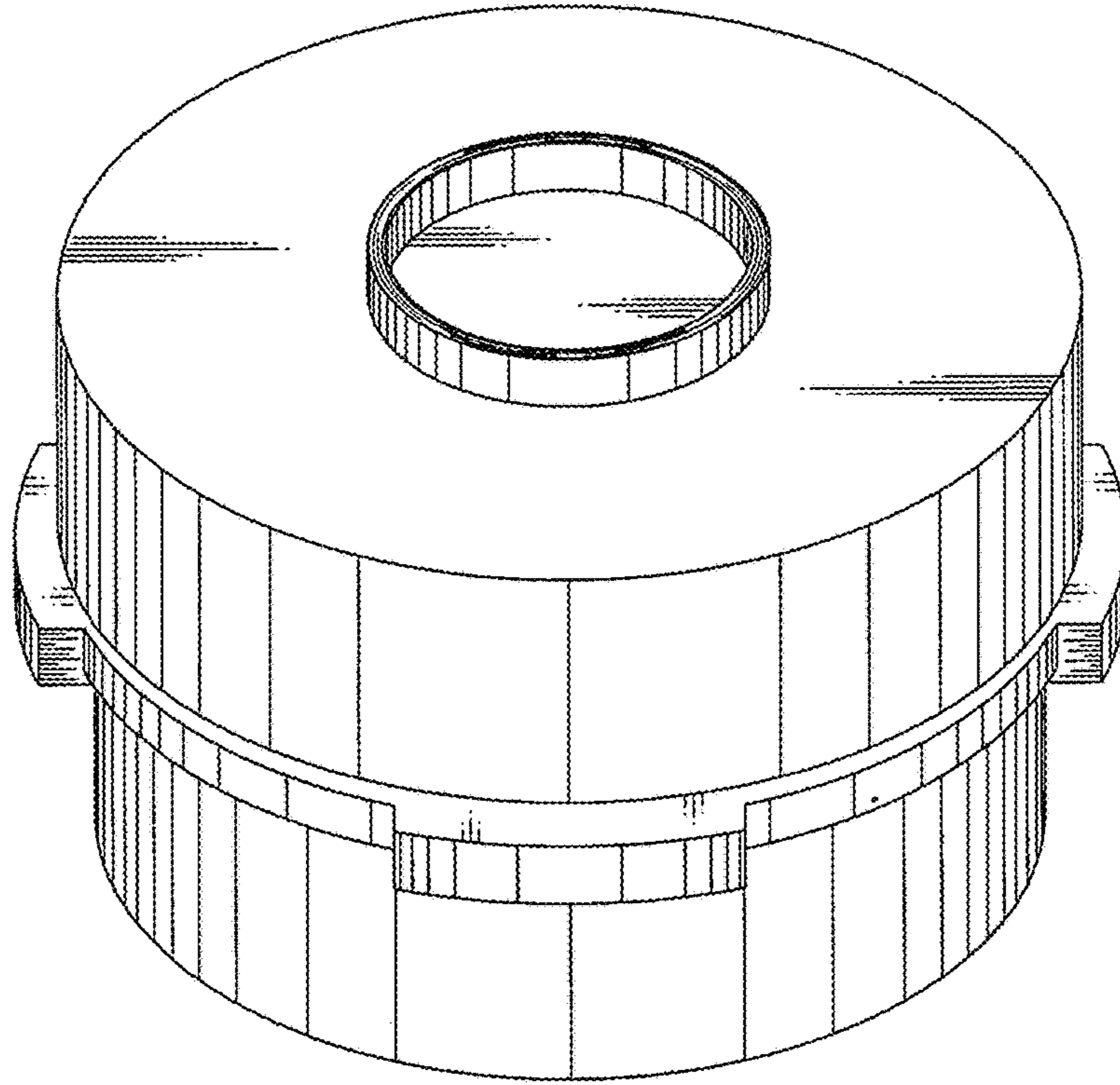


Fig. 2

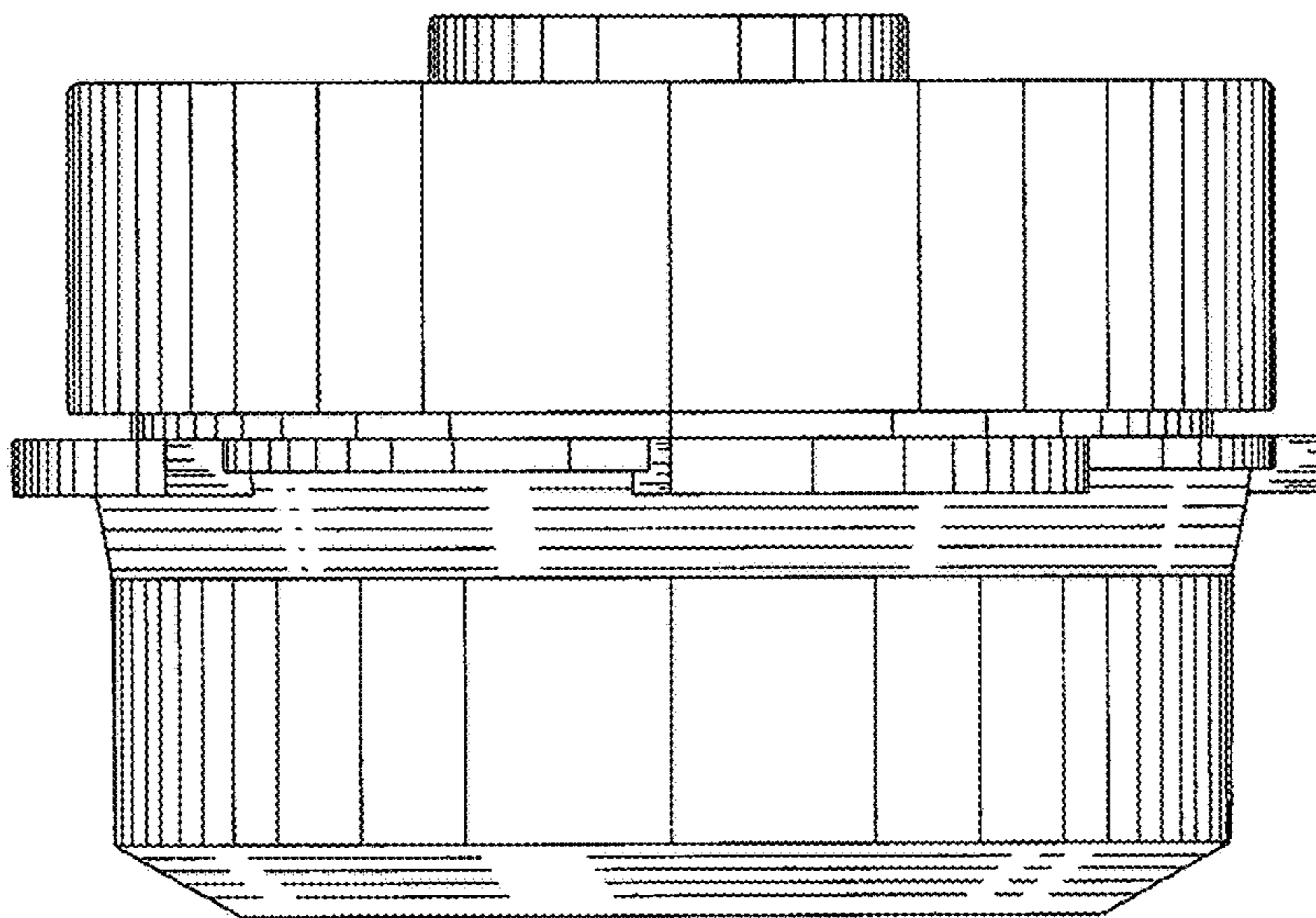


Fig.3

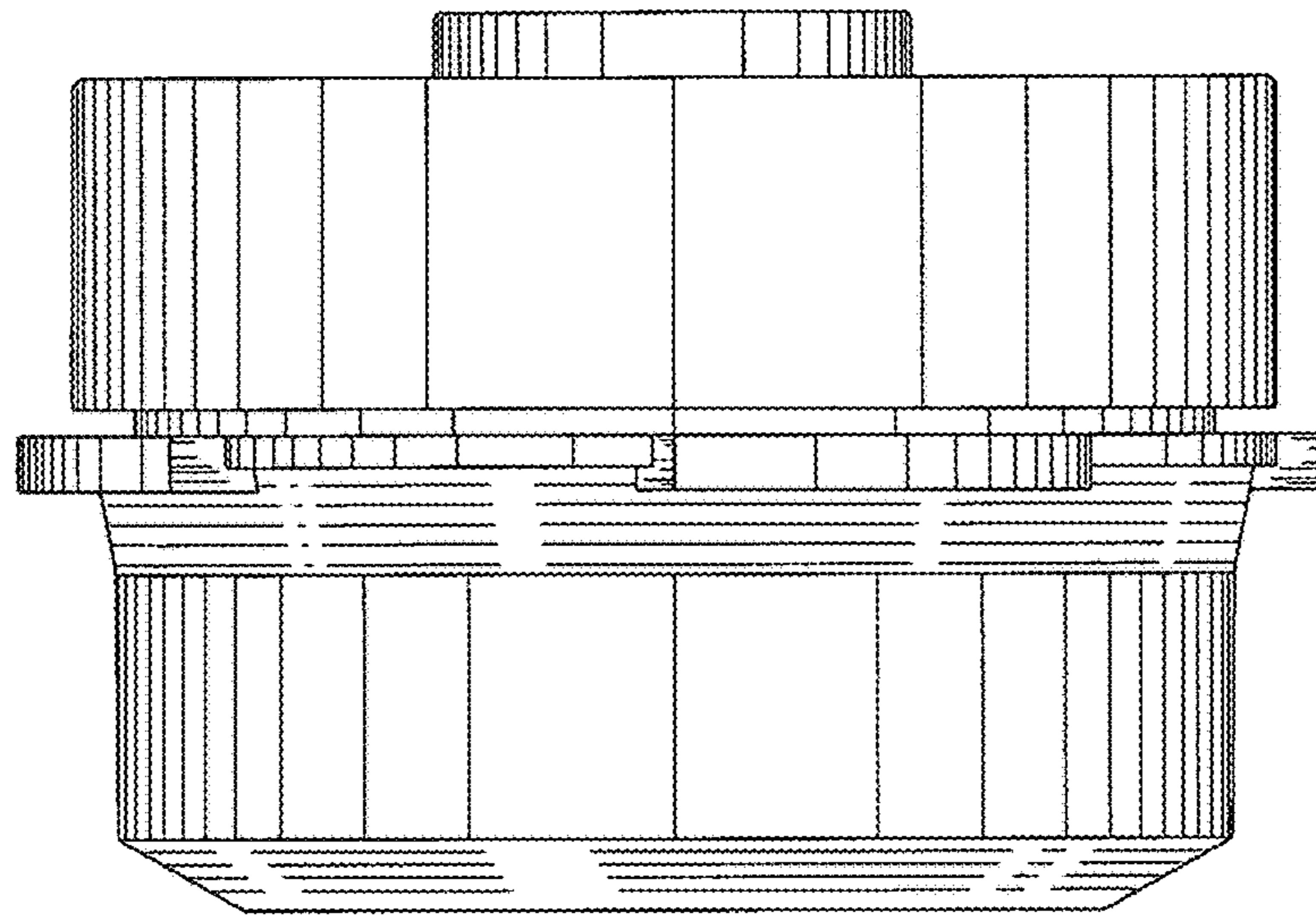


Fig.4

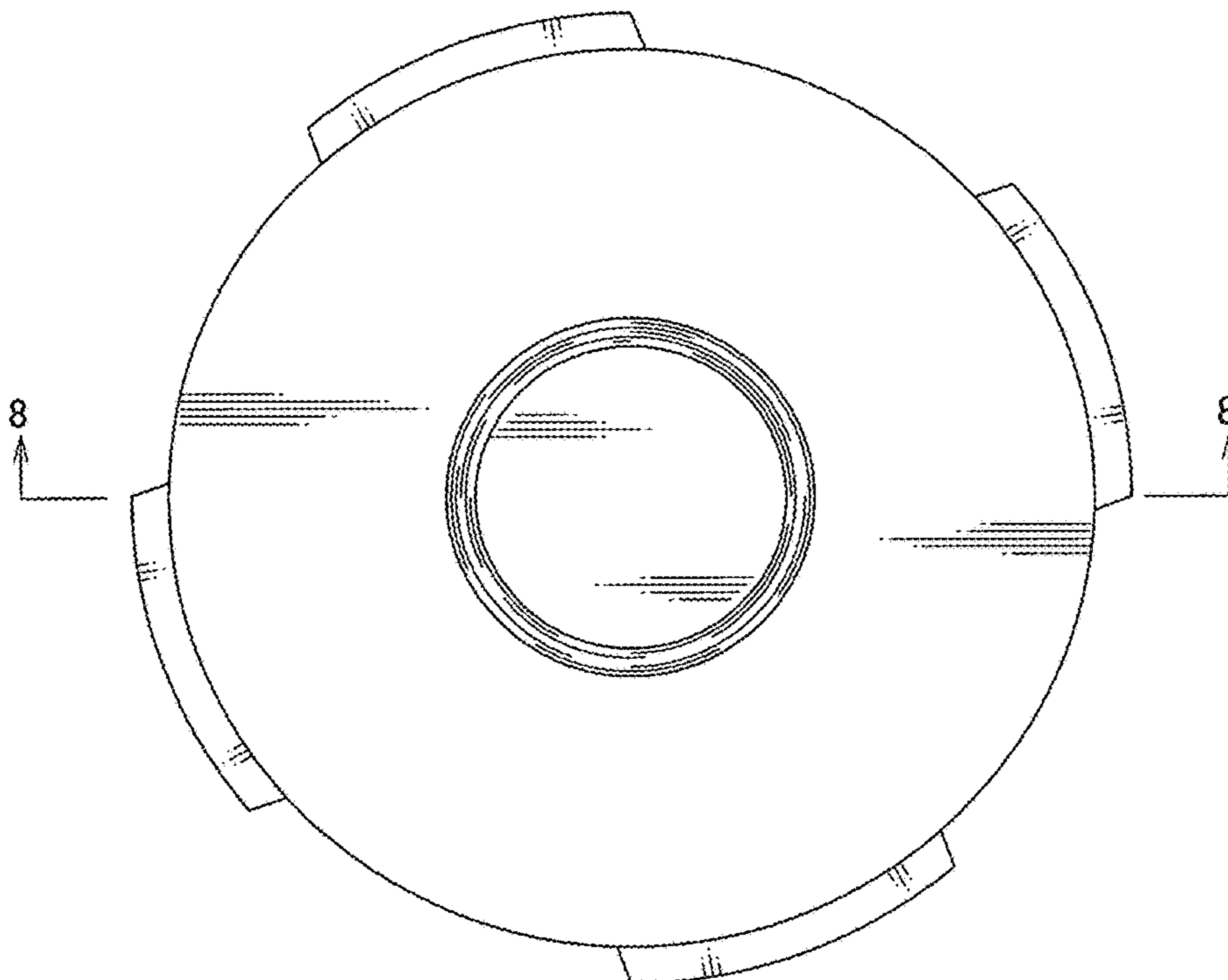


Fig.5

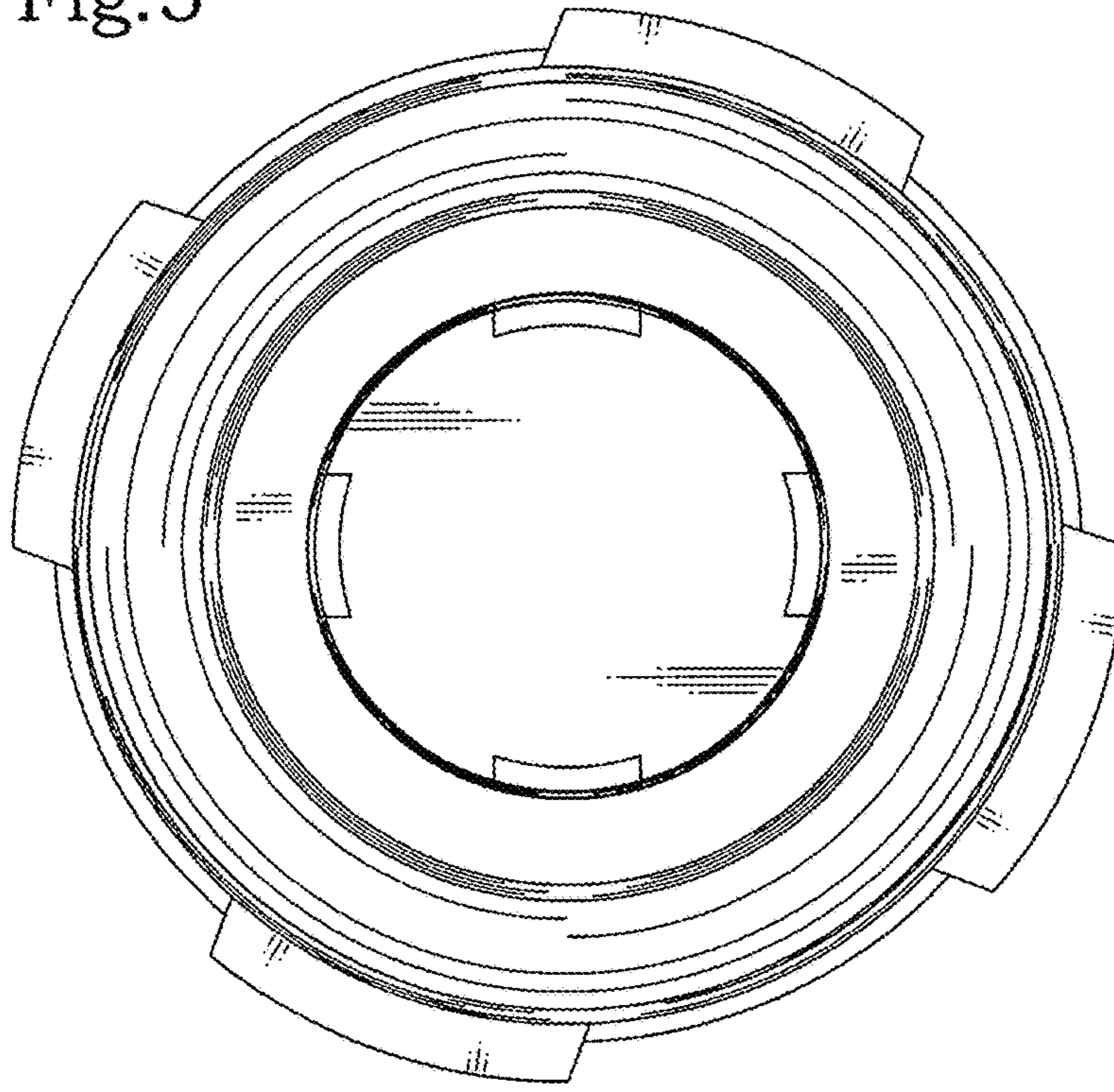


Fig.6

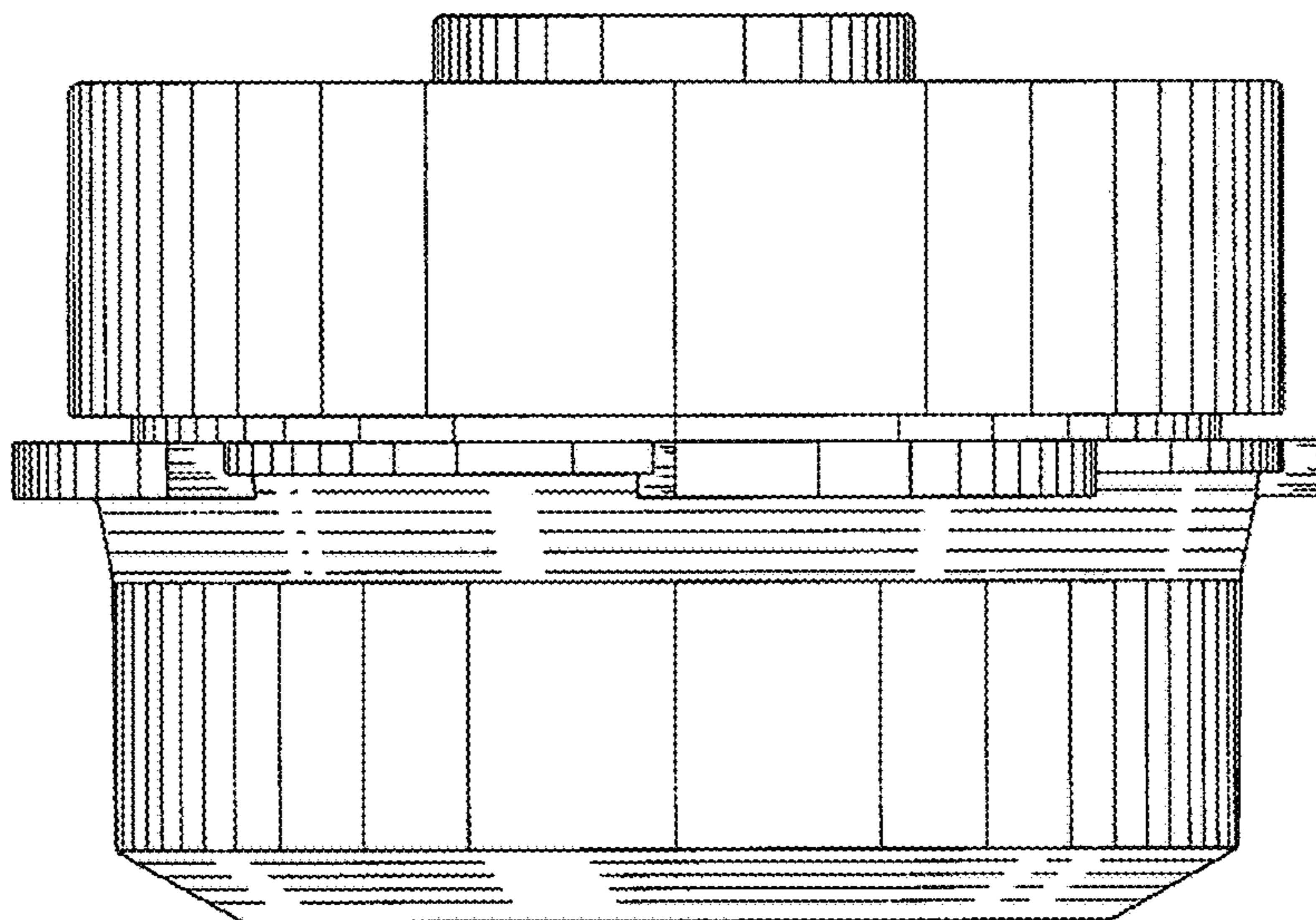


Fig. 7

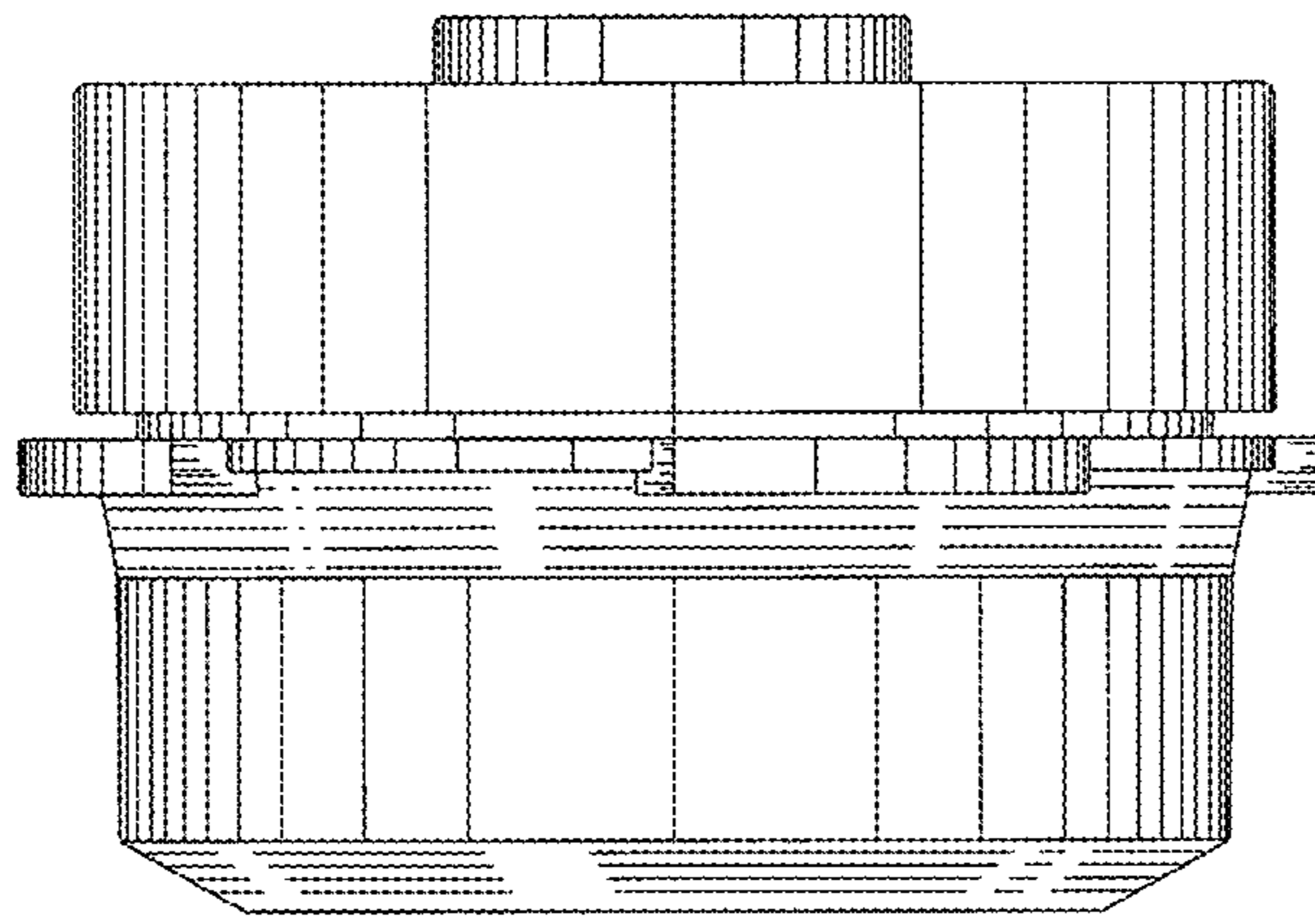


Fig. 8

