



US00D798144S

(12) **United States Design Patent**  
**Ahmadi et al.**

(10) **Patent No.:** **US D798,144 S**

(45) **Date of Patent:** **\*\* Sep. 26, 2017**

(54) **CONTAINER**

(71) Applicant: **CANTECH INDUSTRIES, INC.**,  
Escondido, CA (US)

(72) Inventors: **Majid Ahmadi**, Rancho Santa Fe, CA  
(US); **Andrew Leishman**, Mission  
Viejo, CA (US)

(73) Assignee: **CanTech Industries, Inc.**, Escondido,  
CA (US)

(\*\*) Term: **14 Years**

(21) Appl. No.: **29/508,999**

(22) Filed: **Nov. 13, 2014**

(51) **LOC (10) Cl.** ..... **09-03**

(52) **U.S. Cl.**  
USPC ..... **D9/426**

(58) **Field of Classification Search**  
USPC ..... D9/414, 420, 423, 424, 425, 427, 428,  
D9/429, 431, 432, 434, 436, 455, 456,  
D9/642-647, 715, 717, 737, 756, 757,  
D9/762, 761, 499; D7/505, 541, 553.1,  
D7/601, 602, 701, 703  
CPC ..... B65D 2543/00351; B65D 2543/00805;  
B65D 85/34; B65D 75/54; B65D 81/025;  
B65D 25/02; B65D 25/04; B65D 25/08  
See application file for complete search history.

(56) **References Cited**

**U.S. PATENT DOCUMENTS**

- D220,752 S \* 5/1971 Artz ..... D9/425
- 4,234,097 A \* 11/1980 Daenen ..... A47G 19/30  
206/501
- 4,697,700 A \* 10/1987 Weissman ..... A61C 13/0027  
206/467
- 4,951,866 A \* 8/1990 Rusnak ..... B65D 25/08  
206/561
- 5,012,971 A \* 5/1991 Cozzi ..... B65D 5/48024  
220/4.23

- D404,644 S \* 1/1999 Meeker ..... D24/227
- D476,854 S \* 7/2003 Garraway ..... D11/152
- D502,869 S \* 3/2005 Clarke ..... D9/425
- D540,663 S \* 4/2007 Tanner ..... D9/424

(Continued)

*Primary Examiner* — Ian Simmons

*Assistant Examiner* — Keith Frank

(74) *Attorney, Agent, or Firm* — Knobbe, Martens, Olson  
& Bear LLP

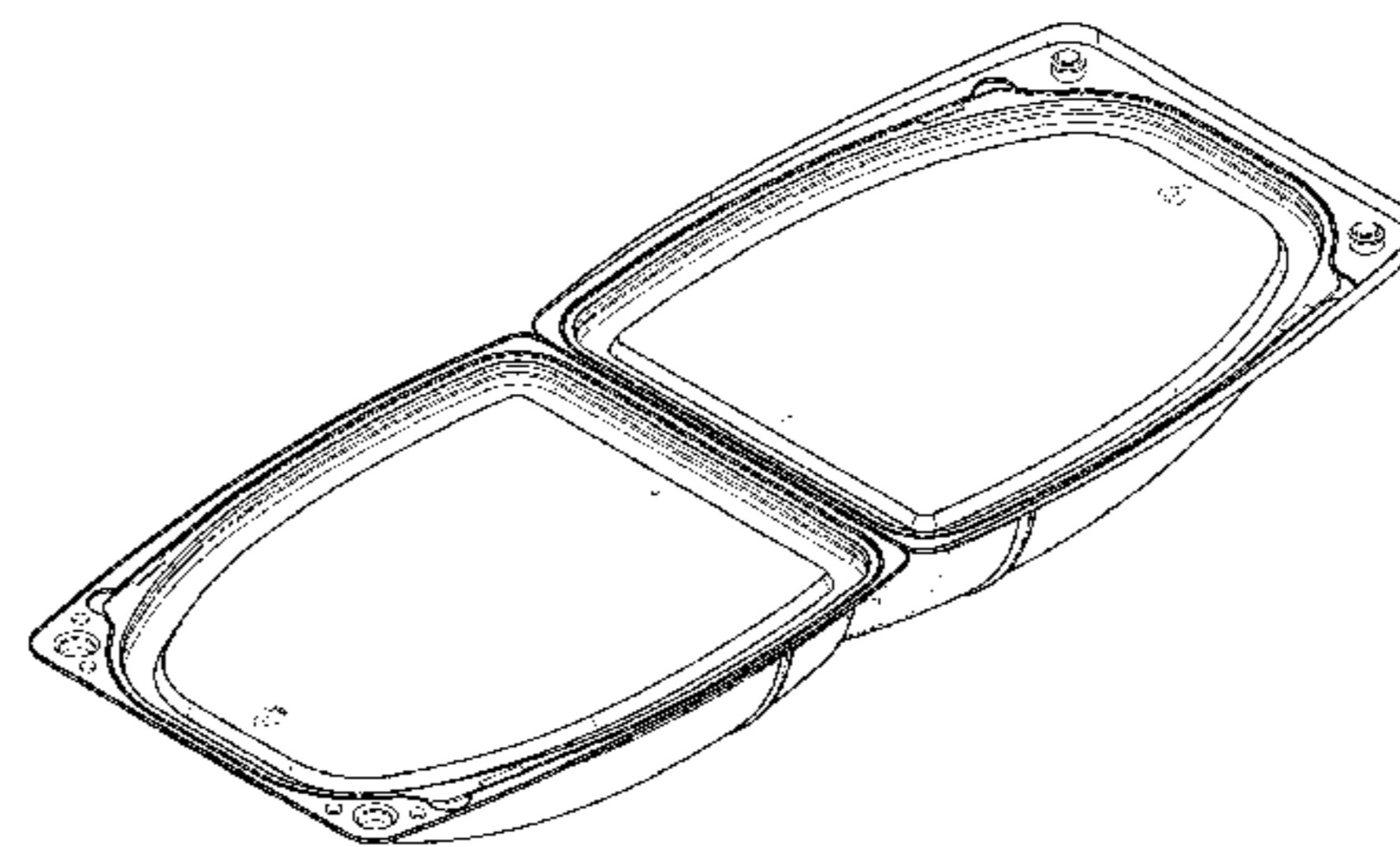
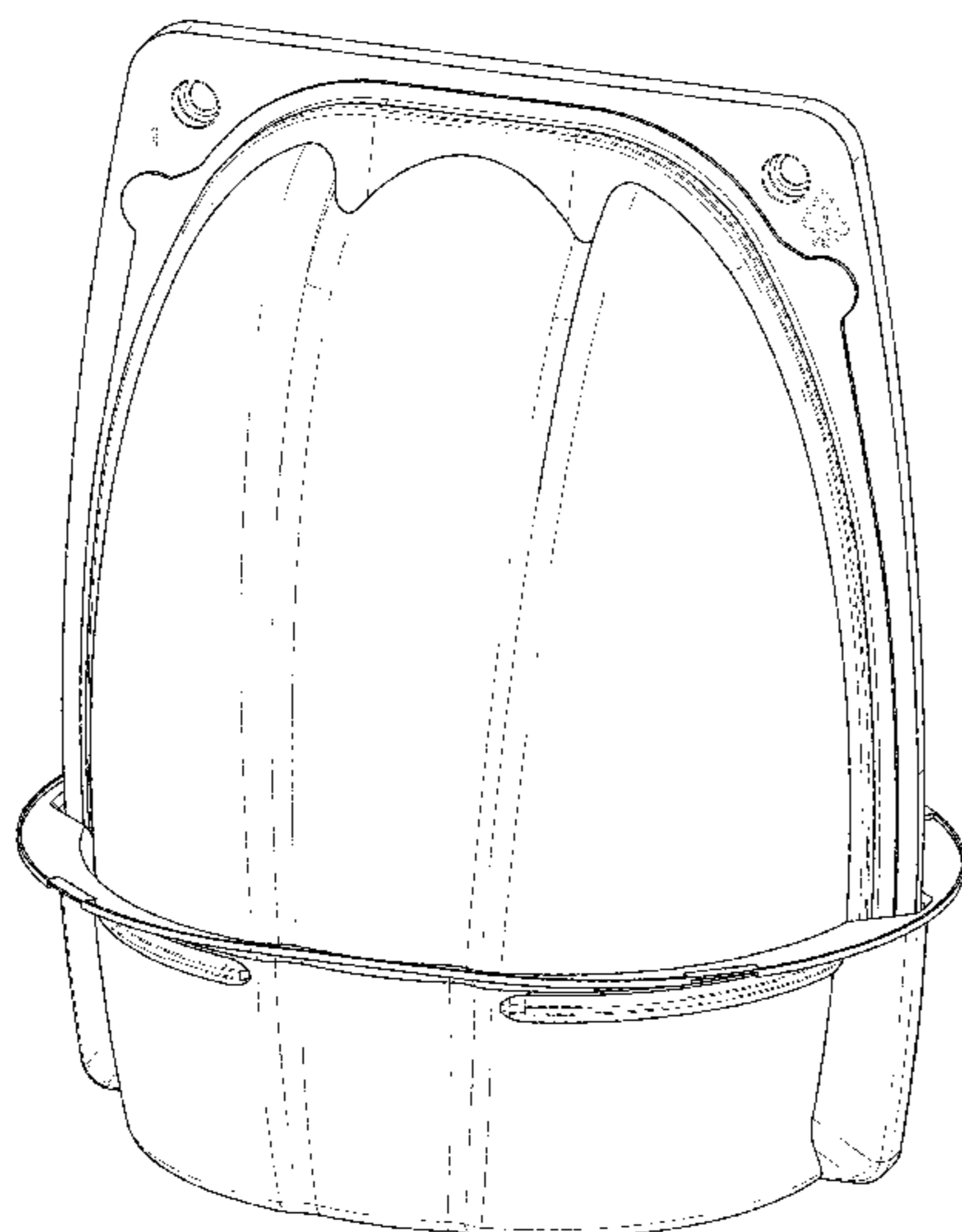
(57) **CLAIM**

We claim the ornamental design for a container, as shown  
and described.

**DESCRIPTION**

FIG. 1 is a perspective view of a container showing our new design;  
 FIG. 2 is a front elevation view thereof;  
 FIG. 3 is a right side elevation view thereof;  
 FIG. 4 is a top plan view thereof;  
 FIG. 5 is a perspective view of the clamshell portion of FIG. 1, without the lower bowl portion;  
 FIG. 6 is a front elevation view thereof;  
 FIG. 7 is a right side elevation view thereof;  
 FIG. 8 is a top plan view thereof;  
 FIG. 9 is a perspective view of the lower bowl portion without the clamshell shown in FIG. 1;  
 FIG. 10 is a front elevation view thereof.  
 FIG. 11 is a right side elevation view thereof.  
 FIG. 12 is a top plan view of thereof.  
 FIG. 13 is a perspective view of one of the lid portion shown in FIG. 15;  
 FIG. 14 is a top plan view of thereof.  
 FIG. 15 is a perspective view of the clamshell of FIG. 5 in the open state;  
 FIG. 16 is a right side plan view of thereof; and,  
 FIG. 17 is a top plan view of thereof.  
 The broken lines in the drawings illustrate the portions of the container that form no part of the claimed design.

**1 Claim, 16 Drawing Sheets**



(56)

**References Cited**

U.S. PATENT DOCUMENTS

D585,735 S \* 2/2009 Vovan ..... D9/416  
D601,884 S \* 10/2009 Andre ..... D9/430  
D608,192 S \* 1/2010 L'Hoste ..... D9/418  
D609,085 S \* 2/2010 Brachman ..... D9/415  
D624,785 S \* 10/2010 Rousselin ..... D7/398  
D658,932 S \* 5/2012 Facey ..... D7/354  
D678,002 S \* 3/2013 Facey ..... D7/675  
D693,625 S \* 11/2013 Facey ..... D7/354  
8,651,279 B2 \* 2/2014 Malone ..... B65D 25/08  
206/541  
D707,550 S \* 6/2014 Limback ..... D9/424  
8,944,710 B2 \* 2/2015 Cocchioni ..... A45D 29/007  
206/362  
D727,140 S \* 4/2015 Lehanneur ..... D9/414  
D750,973 S \* 3/2016 McSweeney ..... D9/756

\* cited by examiner

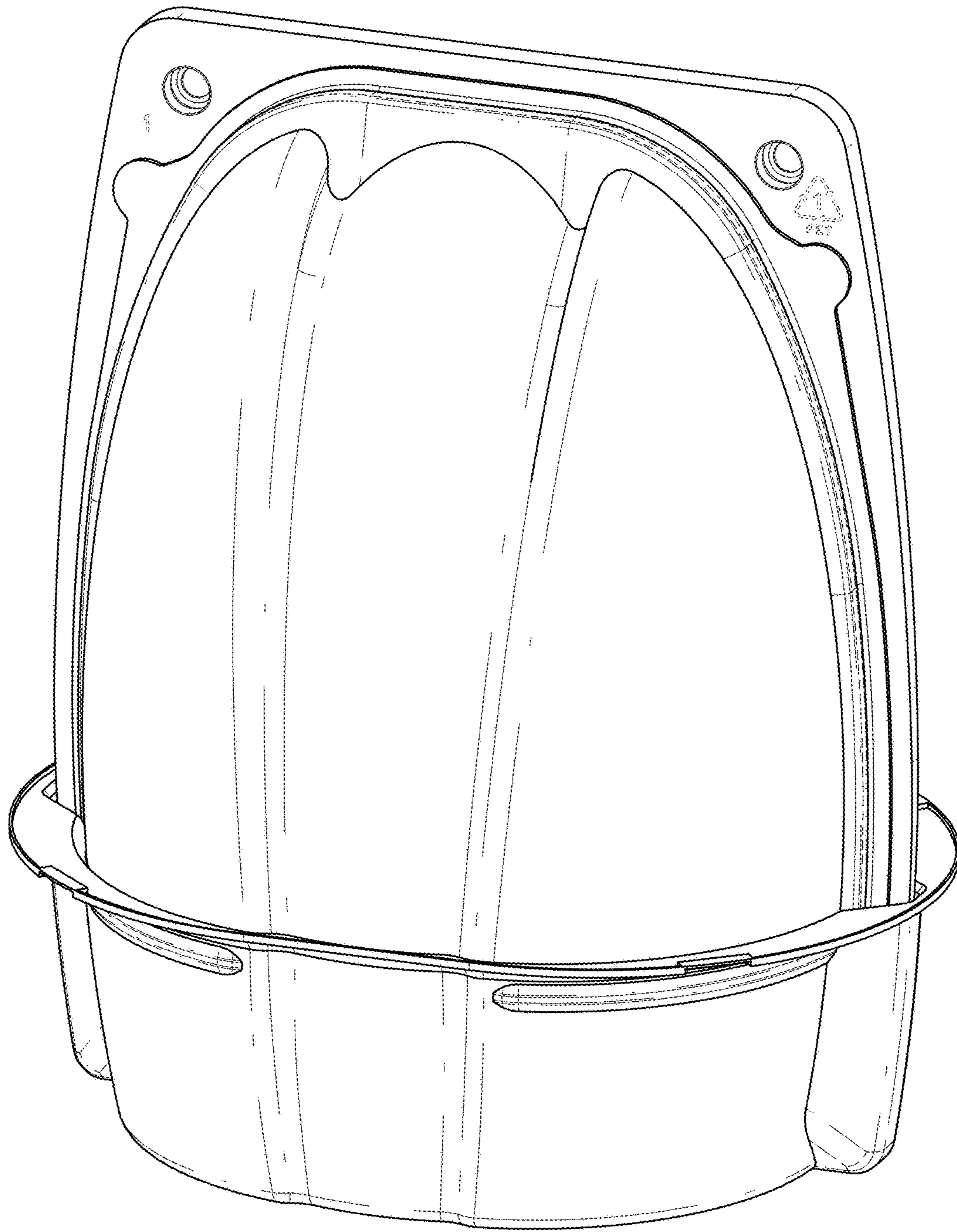


FIGURE 1

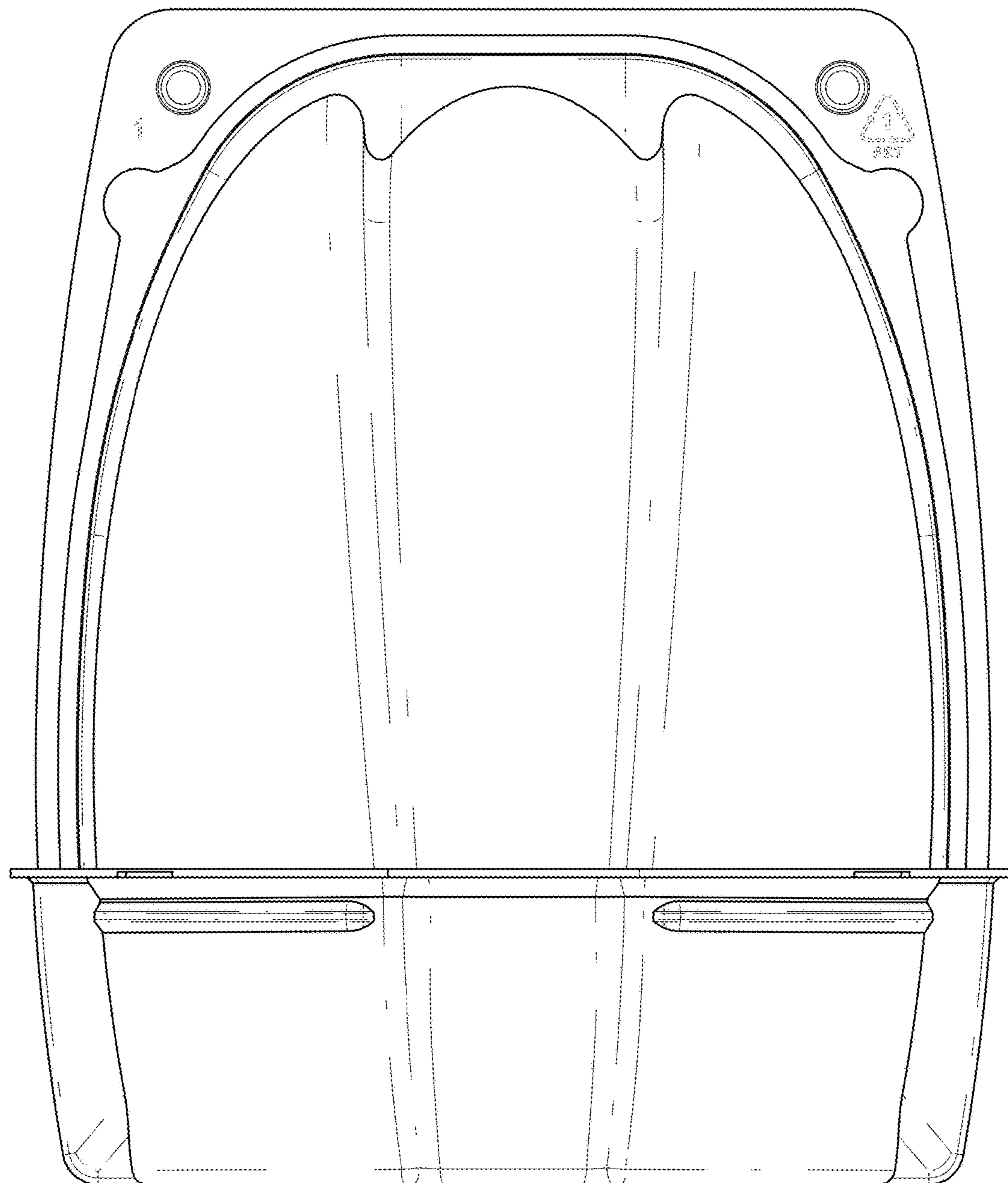


FIGURE 2

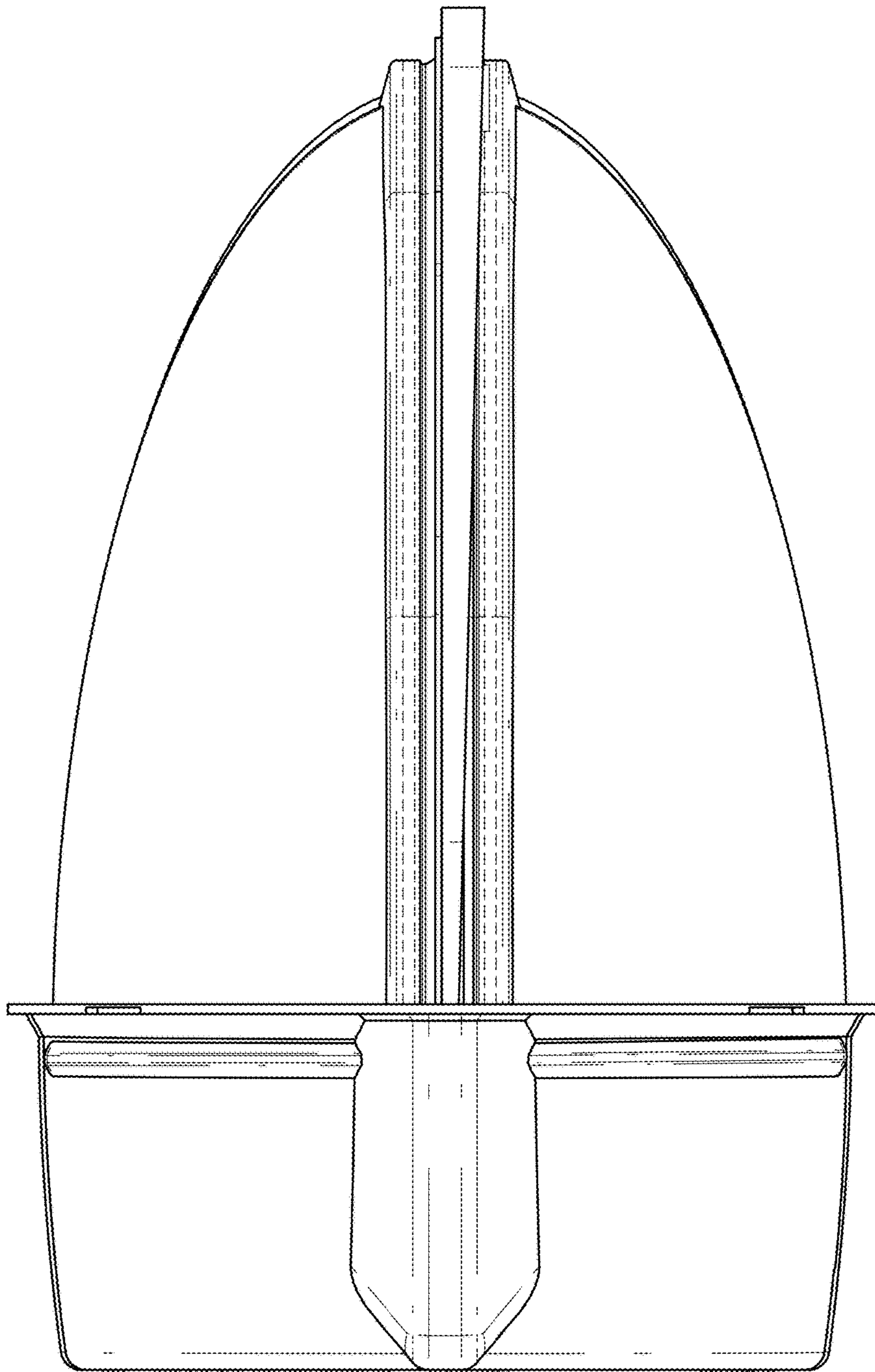


FIGURE 3

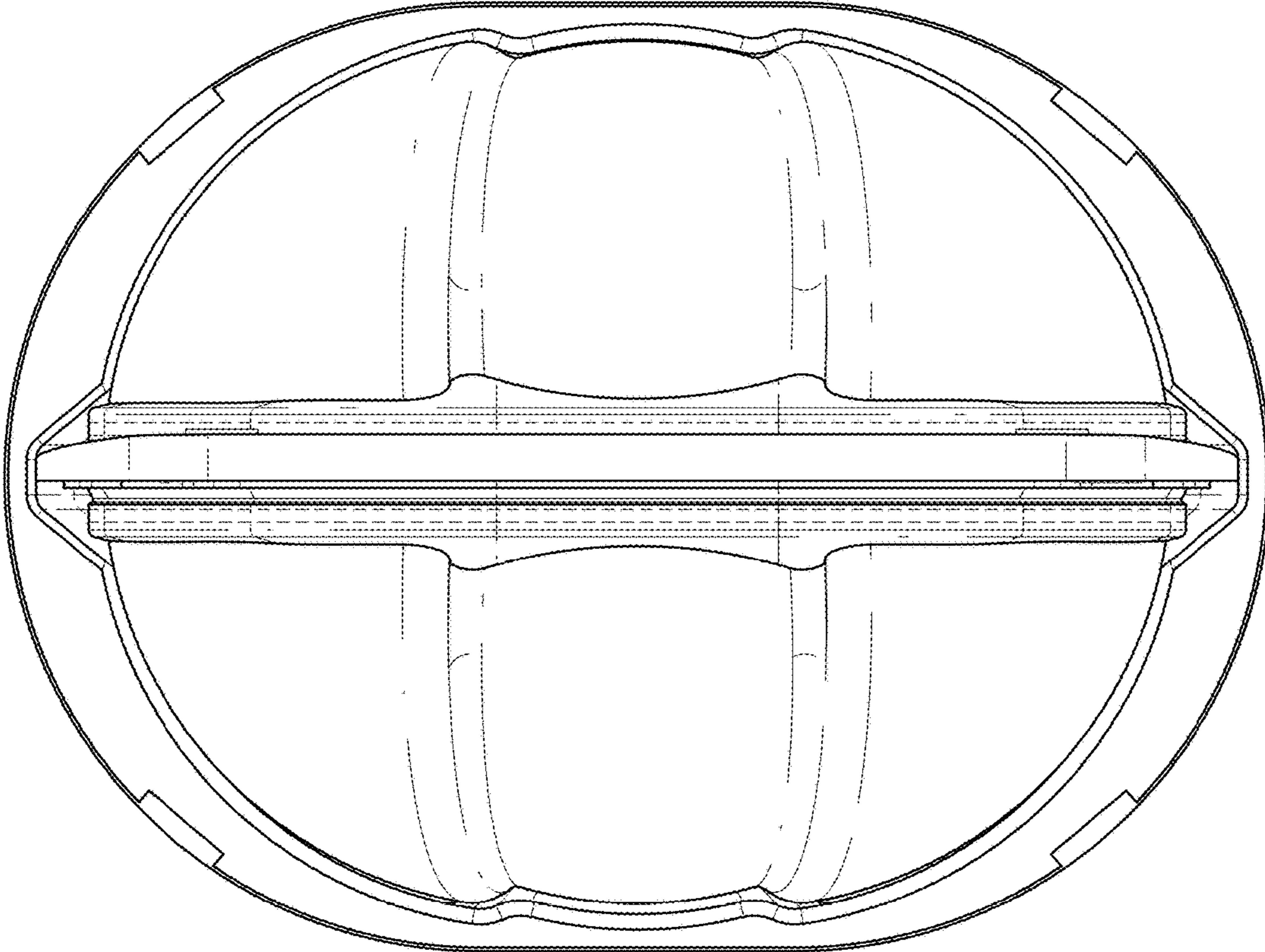


FIGURE 4

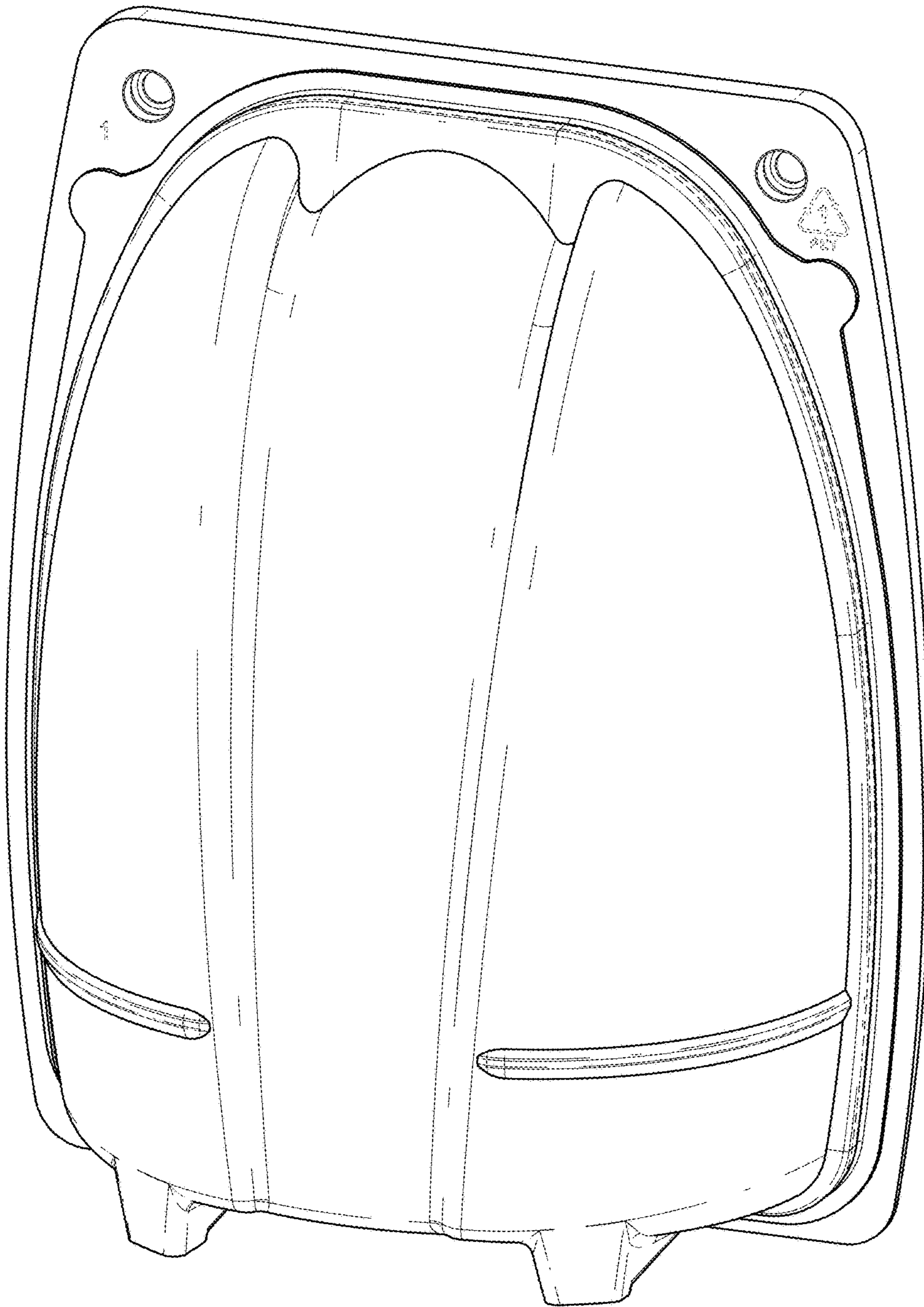


FIGURE 5

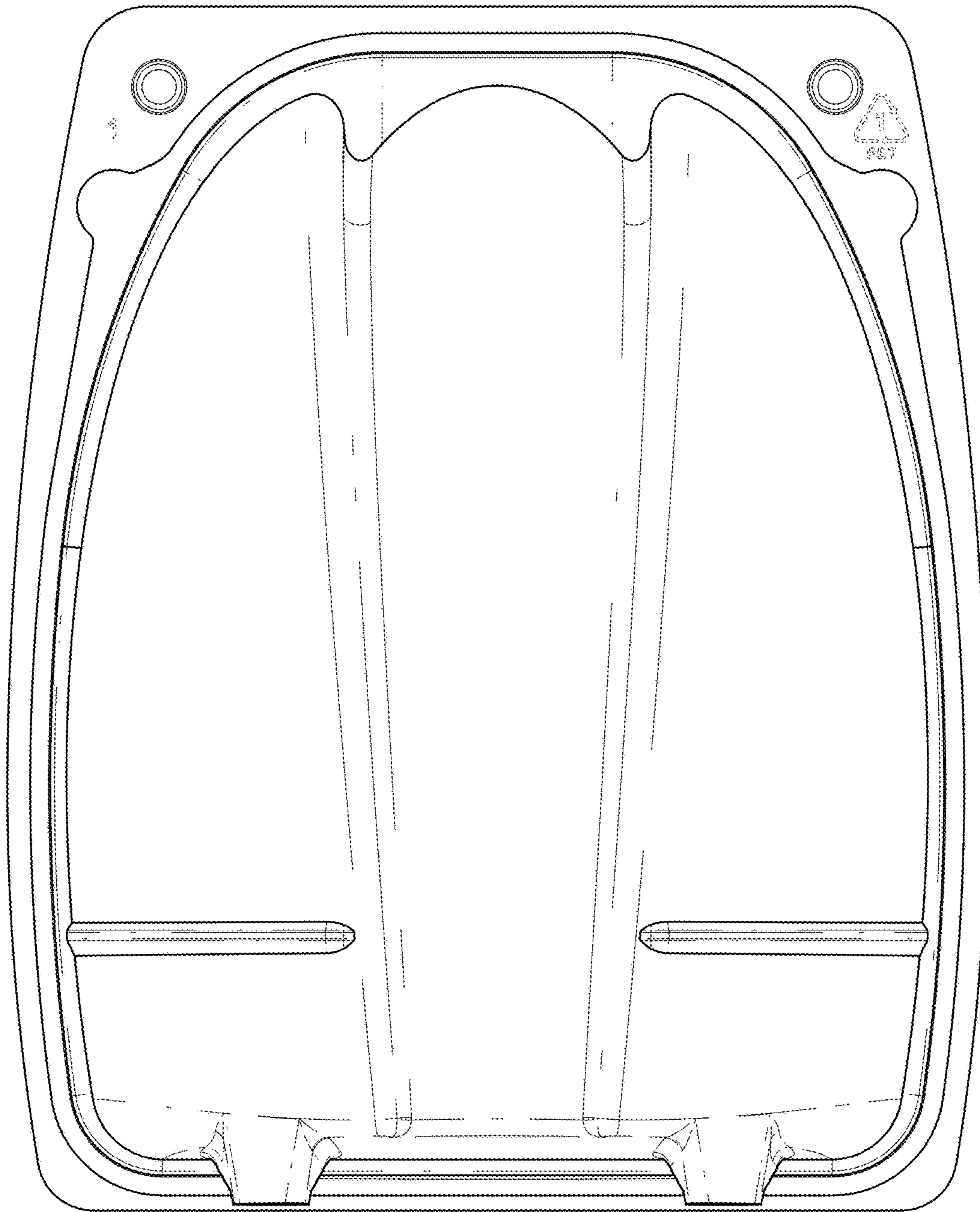


FIGURE 6



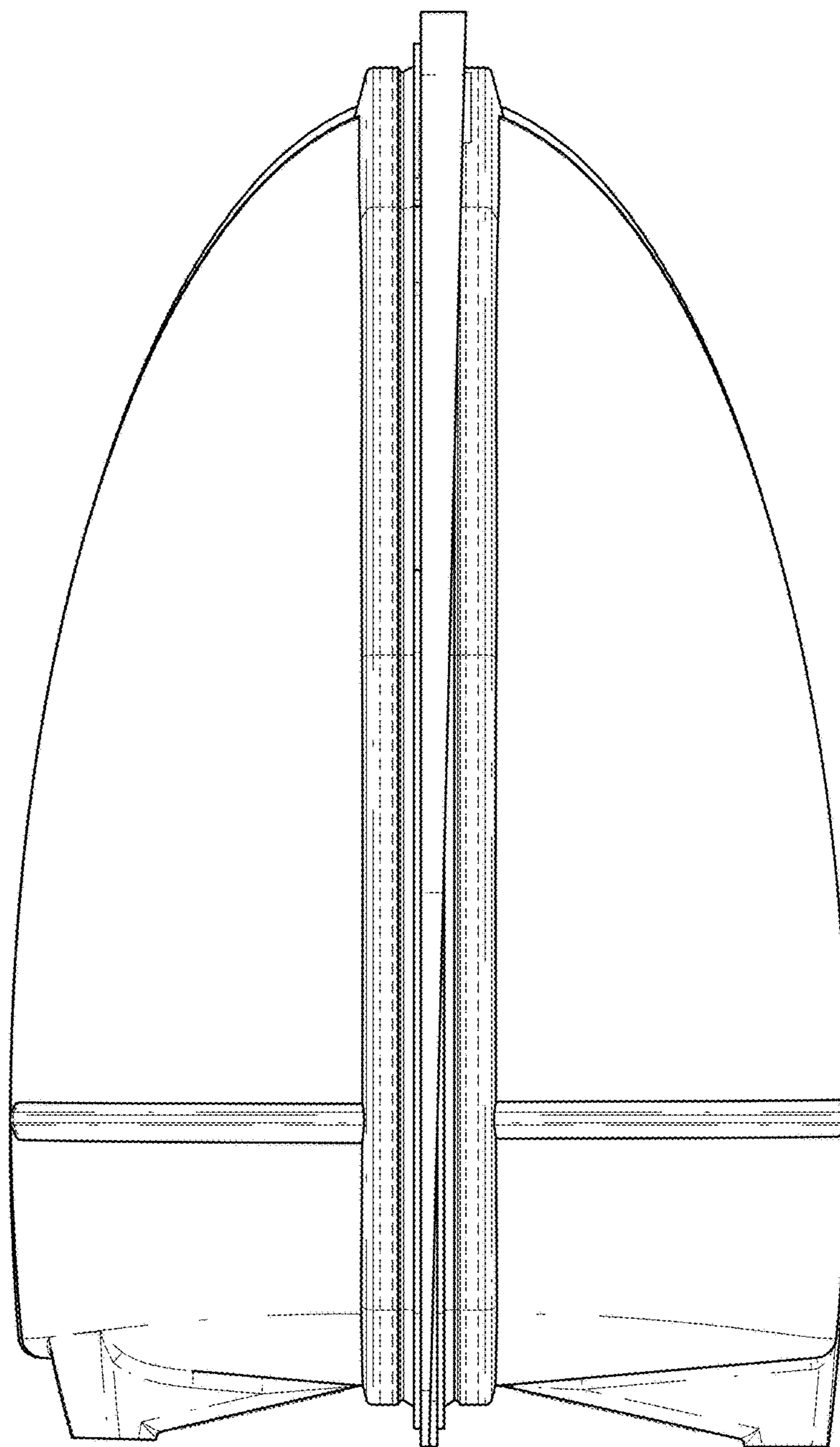


FIGURE 7

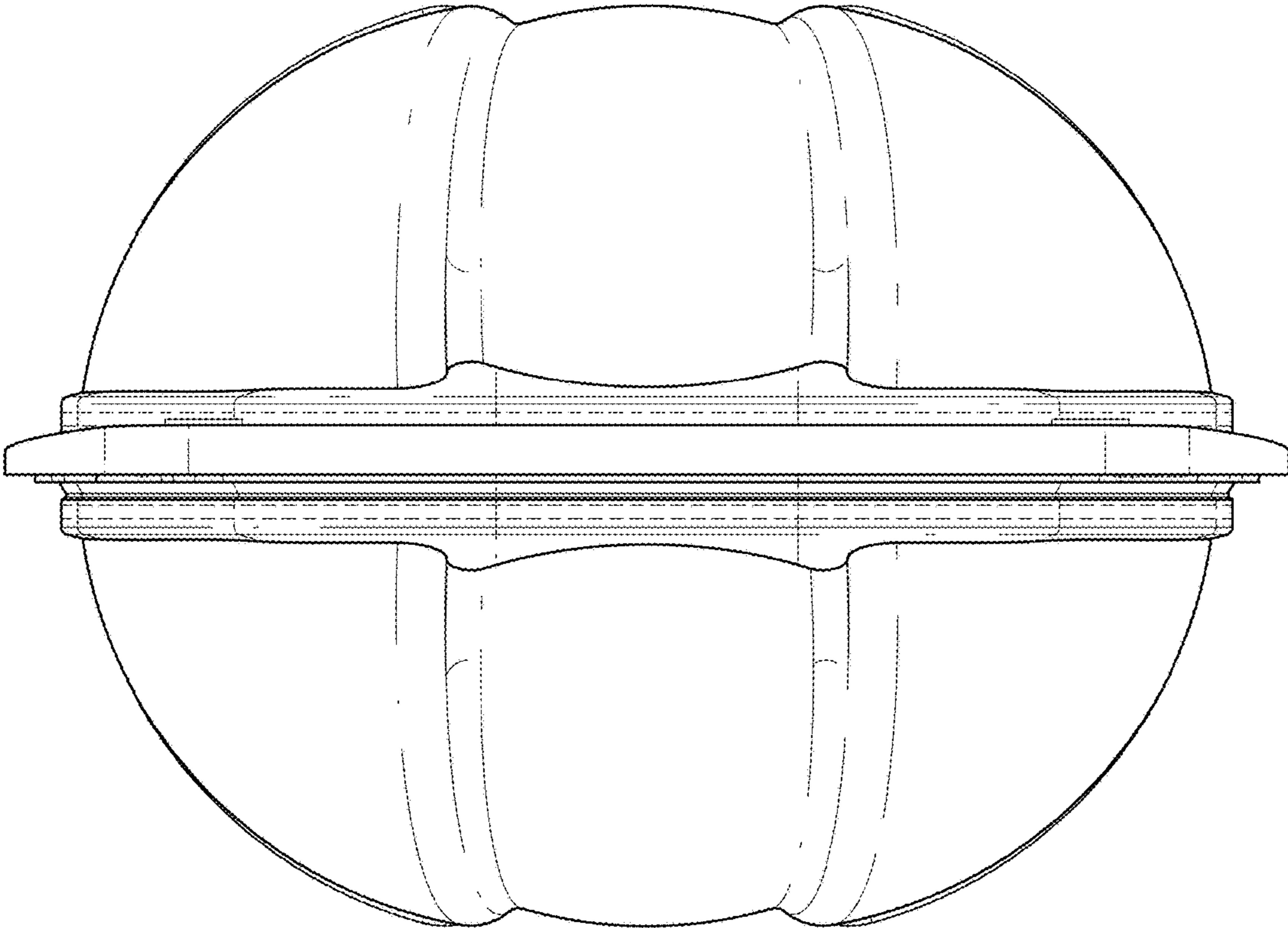


FIGURE 8

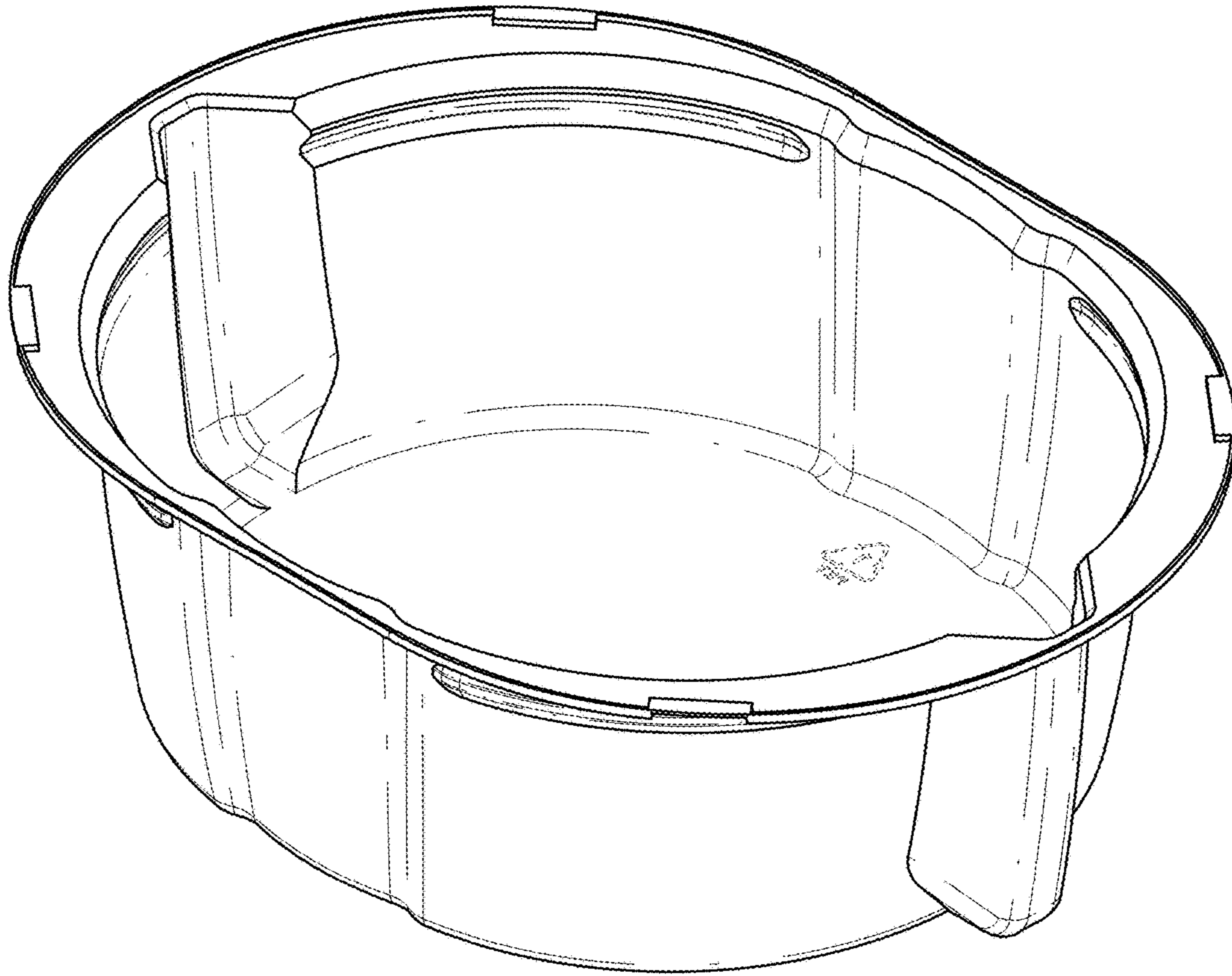


FIGURE 9

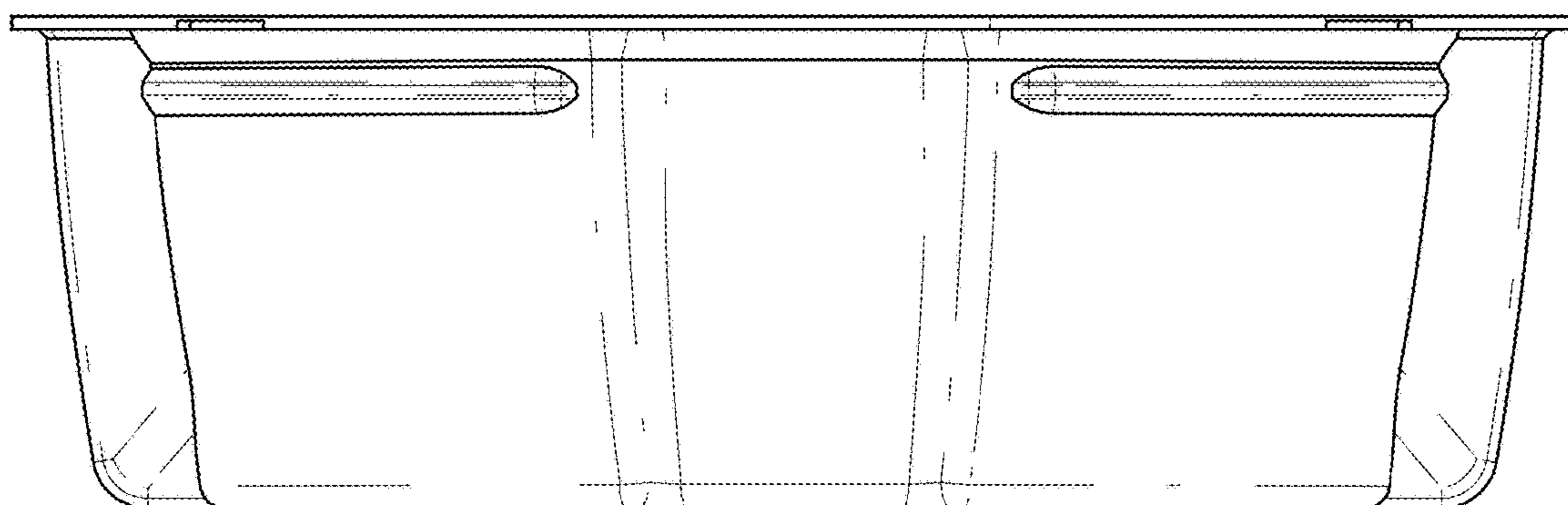


FIGURE 10

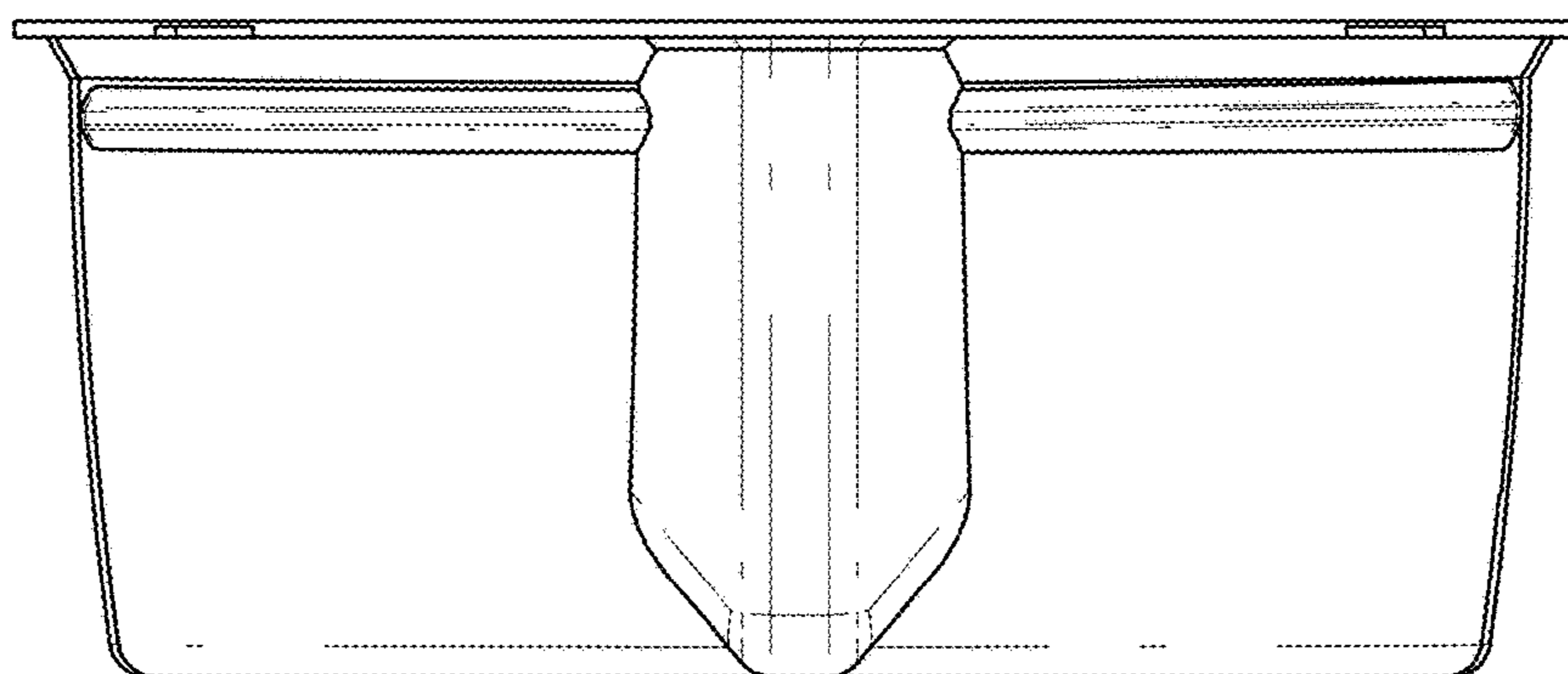


FIGURE 11

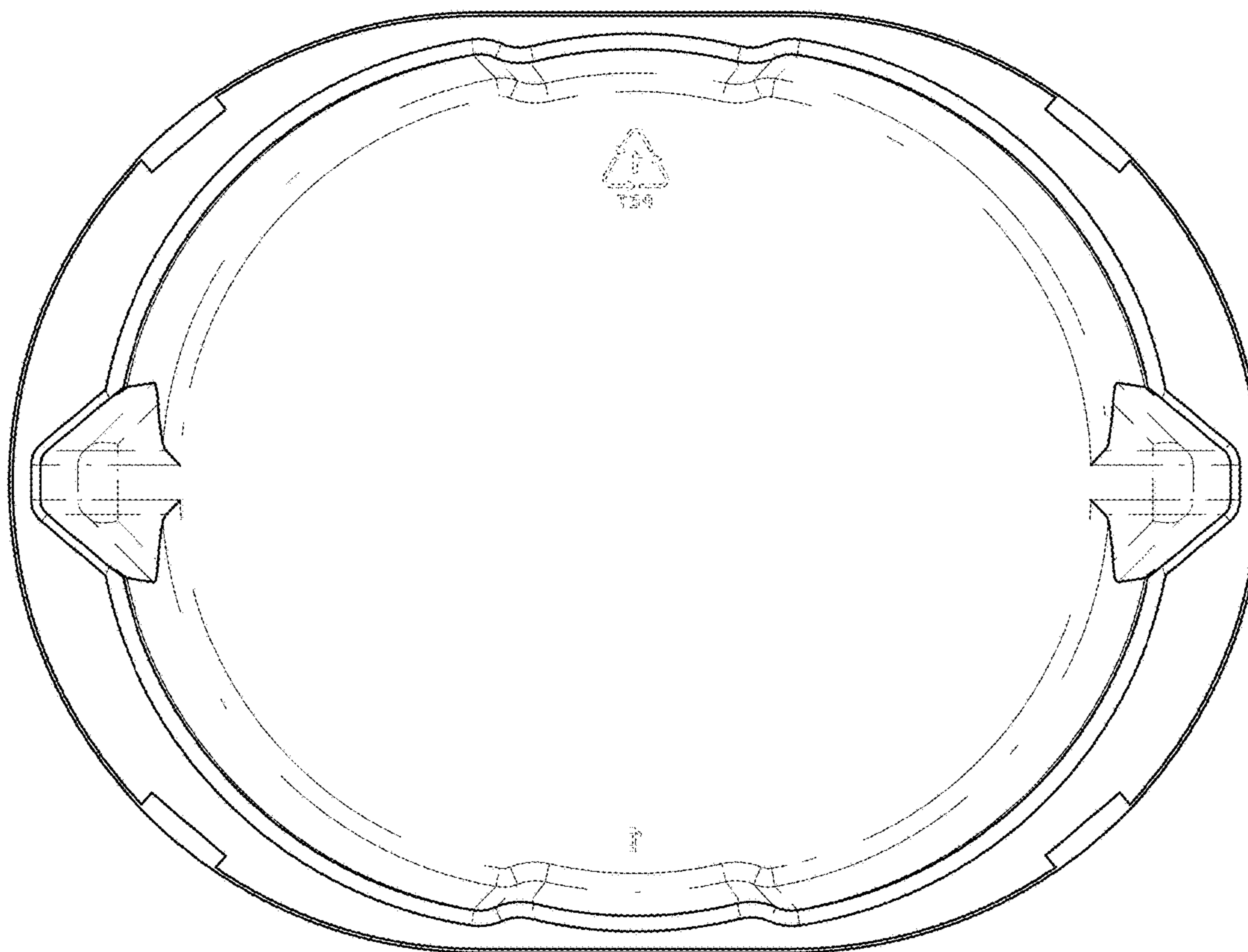


FIGURE 12

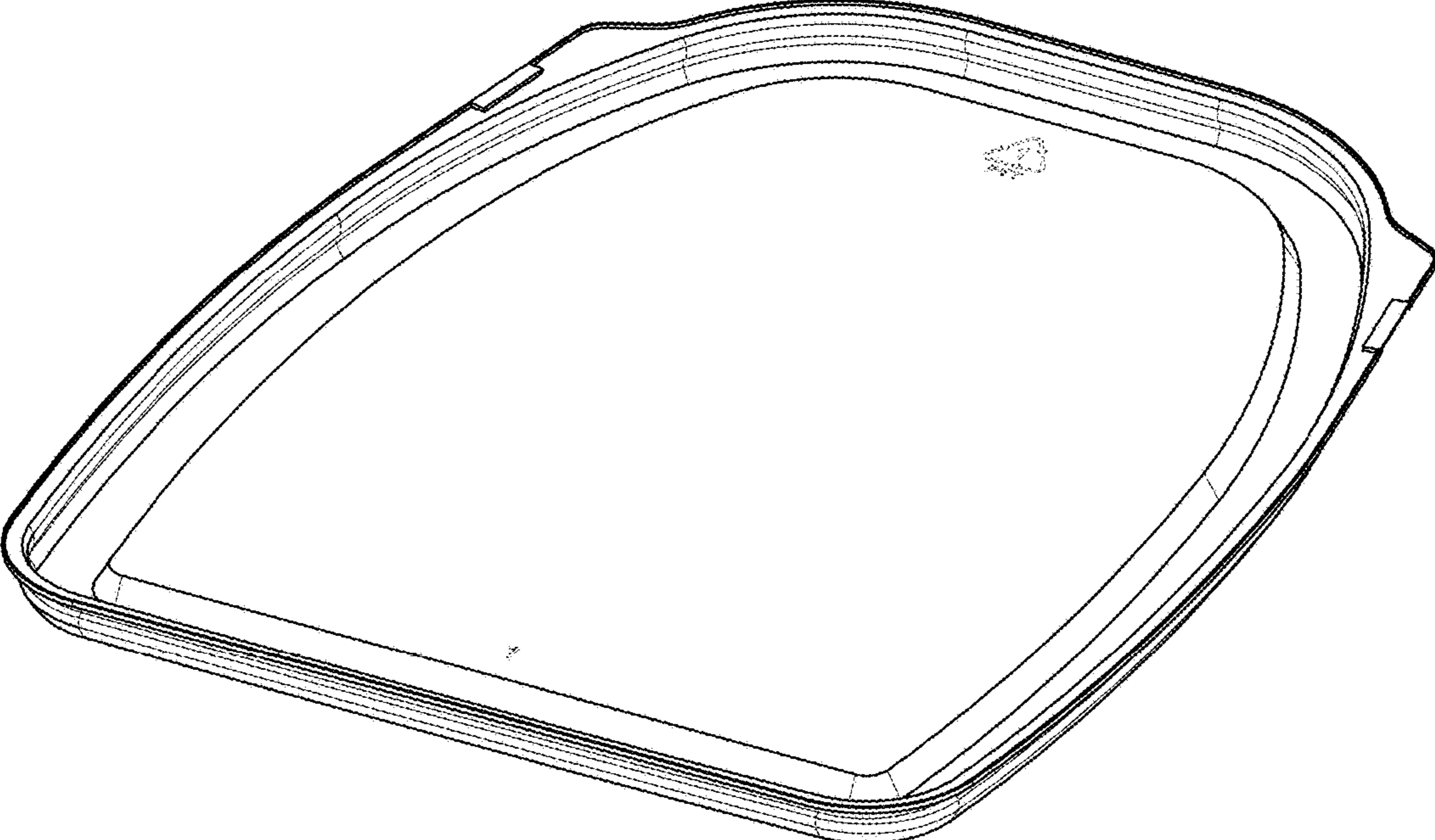


FIGURE 13

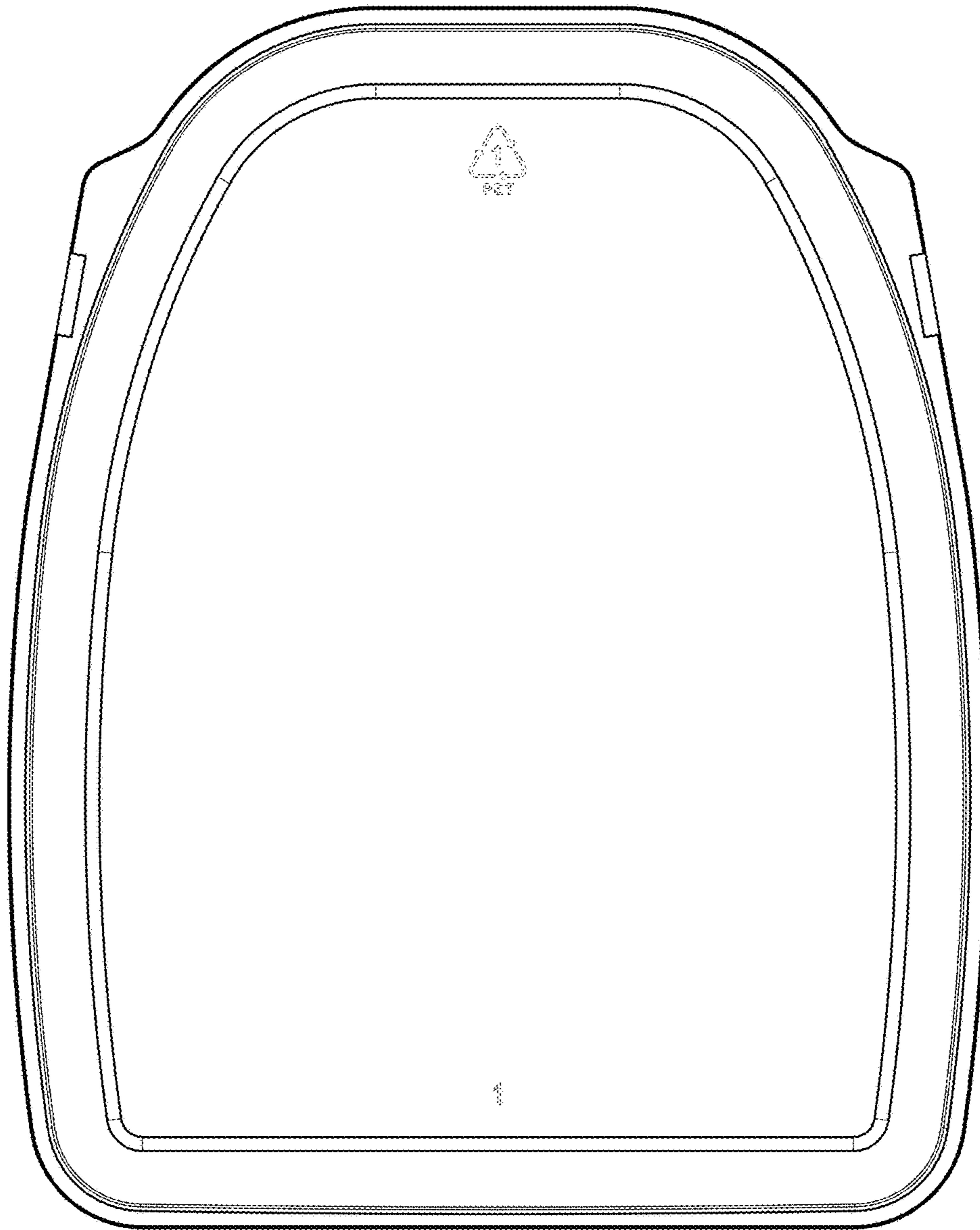


FIGURE 14

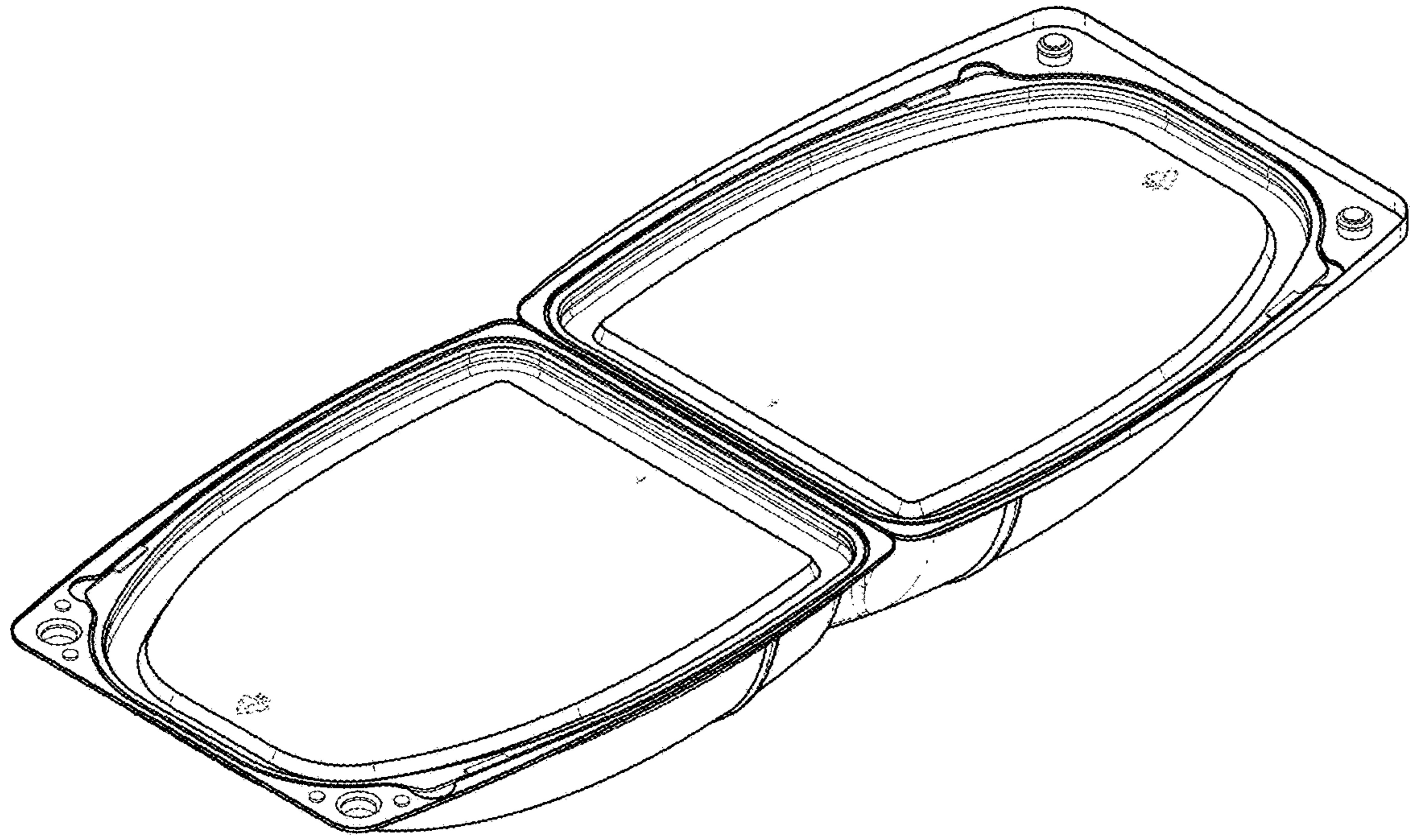


FIGURE 15



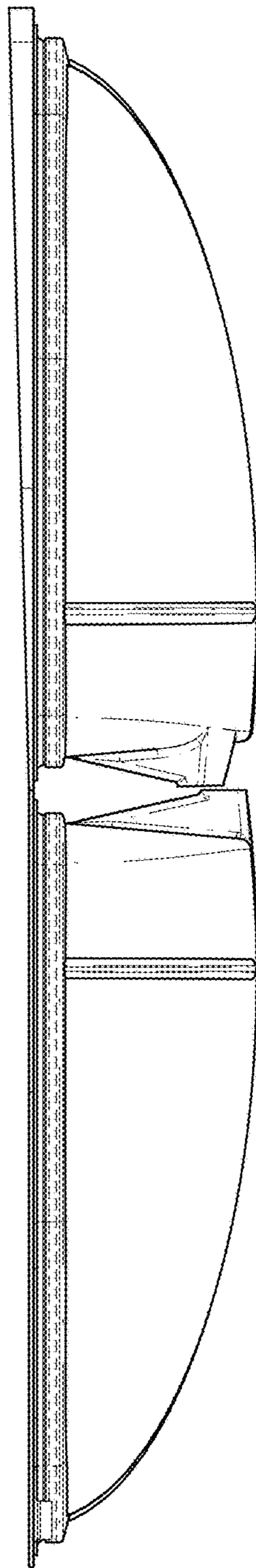


FIGURE 16

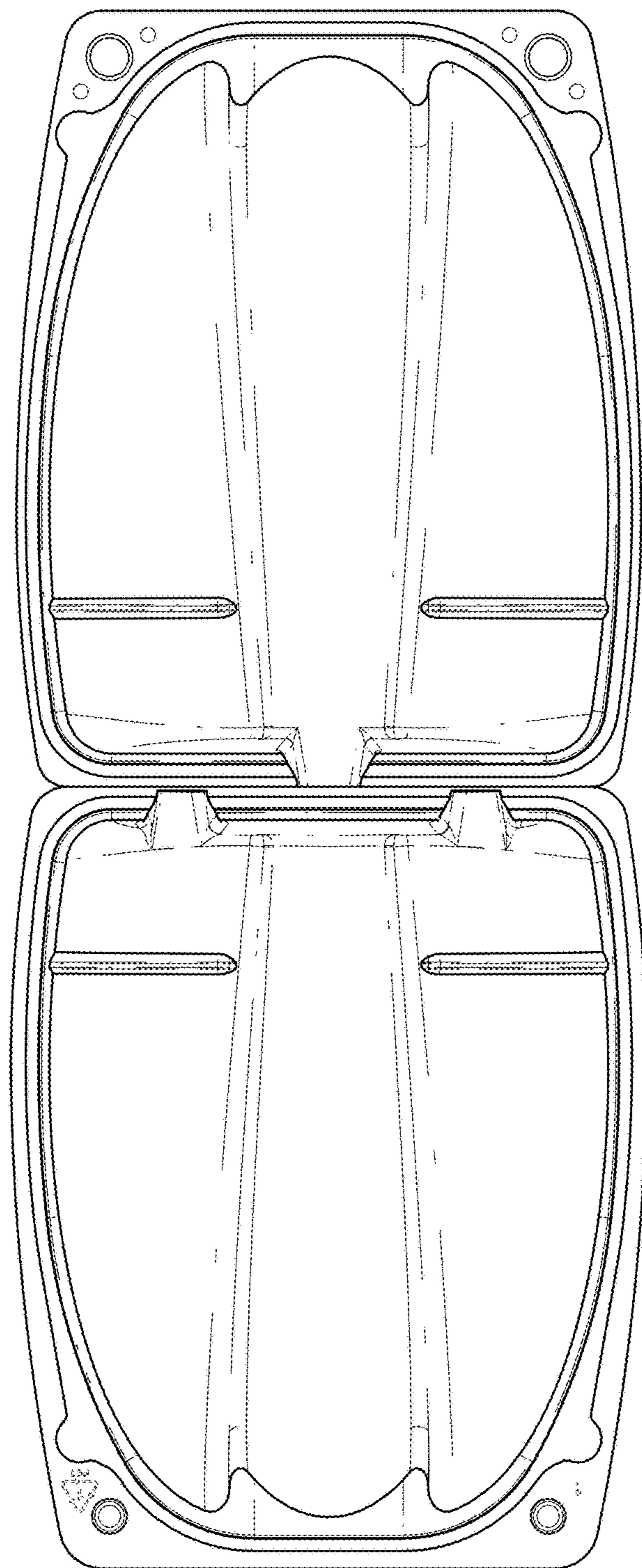


FIGURE 17