



US00D798143S

(12) **United States Design Patent** (10) **Patent No.:** **US D798,143 S**
Chatterton et al. (45) **Date of Patent:** **** Sep. 26, 2017**

(54) **RIGID TRAY**

B65D 2519/00268; B65D 2519/00318;
B65D 77/003; B65D 2519/00208

(71) Applicant: **ConAgra Foods RDM, Inc.**, Omaha,
NE (US)

See application file for complete search history.

(72) Inventors: **Chadd R. Chatterton**, Kenosha, WI
(US); **James W. Clements**, Russellville,
AR (US)

(56) **References Cited**

U.S. PATENT DOCUMENTS

(73) Assignee: **ConAgra Foods RDM, Inc.**, Omaha,
NE (US)

(**) Term: **14 Years**

(21) Appl. No.: **29/520,745**

(22) Filed: **Mar. 17, 2015**

(51) **LOC (10) Cl.** **09-03**

(52) **U.S. Cl.**
USPC **D9/425**; D9/430

(58) **Field of Classification Search**

USPC D9/414, 415, 423, 424, 425, 430, 737;
D7/400, 553.1, 553.2, 554.3, 545, 555,
D7/601, 602, 629, 630; 220/62.12, 200,
220/213, 315, 318, 500, 553, 554, 555,
220/556, 557, 660, 669, 675, 676, 677,
220/780, 796, 810; 426/106, 112, 115
CPC B65D 2543/00296; B65D 2543/00092;
B65D 85/8043; B65D 43/0212; B65D
1/0223; B65D 2543/00509; B65D
2543/00731; B65D 79/005; B65D 25/04;
B65D 2543/00805; B65D 1/36; B65D
85/72; B65D 1/34; B65D 81/3453; B65D
51/20; B65D 2543/00027; B65D
2543/00648; B65D 2543/00972; B65D
85/73; B65D 2543/00416; B65D
2543/00694; B65D 25/00; B65D 81/3216;
B65D 2543/00759; B65D 1/0207; B65D
81/3205; B65D 2519/00288; B65D
2519/00034; B65D 2519/00069; B65D
25/08; B65D 1/24; B65D 2519/00174;

4,616,762	A	*	10/1986	Alexander	A47J 36/022 206/503
D484,749	S	*	1/2004	Garraway	D7/584
D551,505	S	*	9/2007	Friedland	D7/543
D551,506	S	*	9/2007	Friedland	D7/543
D551,507	S	*	9/2007	Friedland	D7/543
D551,508	S	*	9/2007	Friedland	D7/543
D551,908	S	*	10/2007	Friedland	D7/500
D578,878	S	*	10/2008	Friedland	D7/545
D578,879	S	*	10/2008	Friedland	D7/545
D578,880	S	*	10/2008	Friedland	D7/545
D578,881	S	*	10/2008	Friedland	D7/545
D582,726	S	*	12/2008	Olsson	D7/554.2
D584,945	S	*	1/2009	Friedland	D7/545
D593,369	S	*	6/2009	Green	D7/602

(Continued)

Primary Examiner — Ian Simmons

Assistant Examiner — Lauren Calve

(74) *Attorney, Agent, or Firm* — Ryan T. Grace; Advent,
LLP

(57) **CLAIM**

The ornamental design for a rigid tray, as shown and
described.

DESCRIPTION

FIG. 1 is an isomeric view of a rigid tray showing our new
design.

FIG. 2 is a top view thereof.

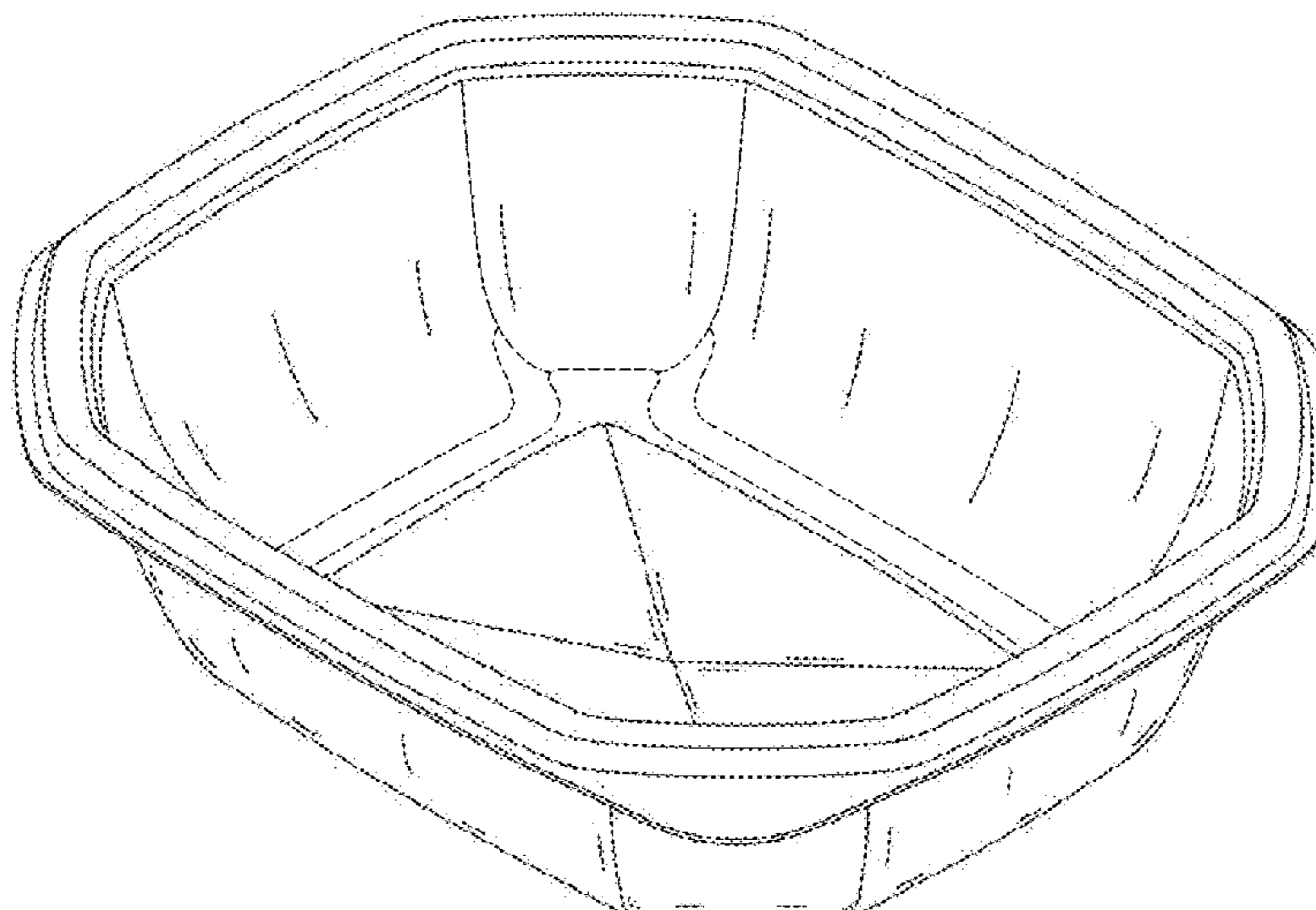
FIG. 3 is a bottom view thereof.

FIG. 4 is a side view thereof; and,

FIG. 5 is an end view thereof.

The broken lines shown represent unclaimed subject matter
and form no part of the claimed design.

1 Claim, 5 Drawing Sheets



(56)

References Cited

U.S. PATENT DOCUMENTS

D635,848	S	*	4/2011	Lawrence	D9/425
D640,548	S	*	6/2011	Lawrence	D9/430
D643,713	S	*	8/2011	Lawrence	D9/430
D688,941	S	*	9/2013	Sifuentes	D7/602
8,642,102	B2		2/2014	Field et al.		
8,895,092	B1		11/2014	Field et al.		
D719,019	S	*	12/2014	Avis	D9/424
D738,718	S	*	9/2015	Yang	D9/425
D741,166	S	*	10/2015	Tyberghein	D9/425

* cited by examiner

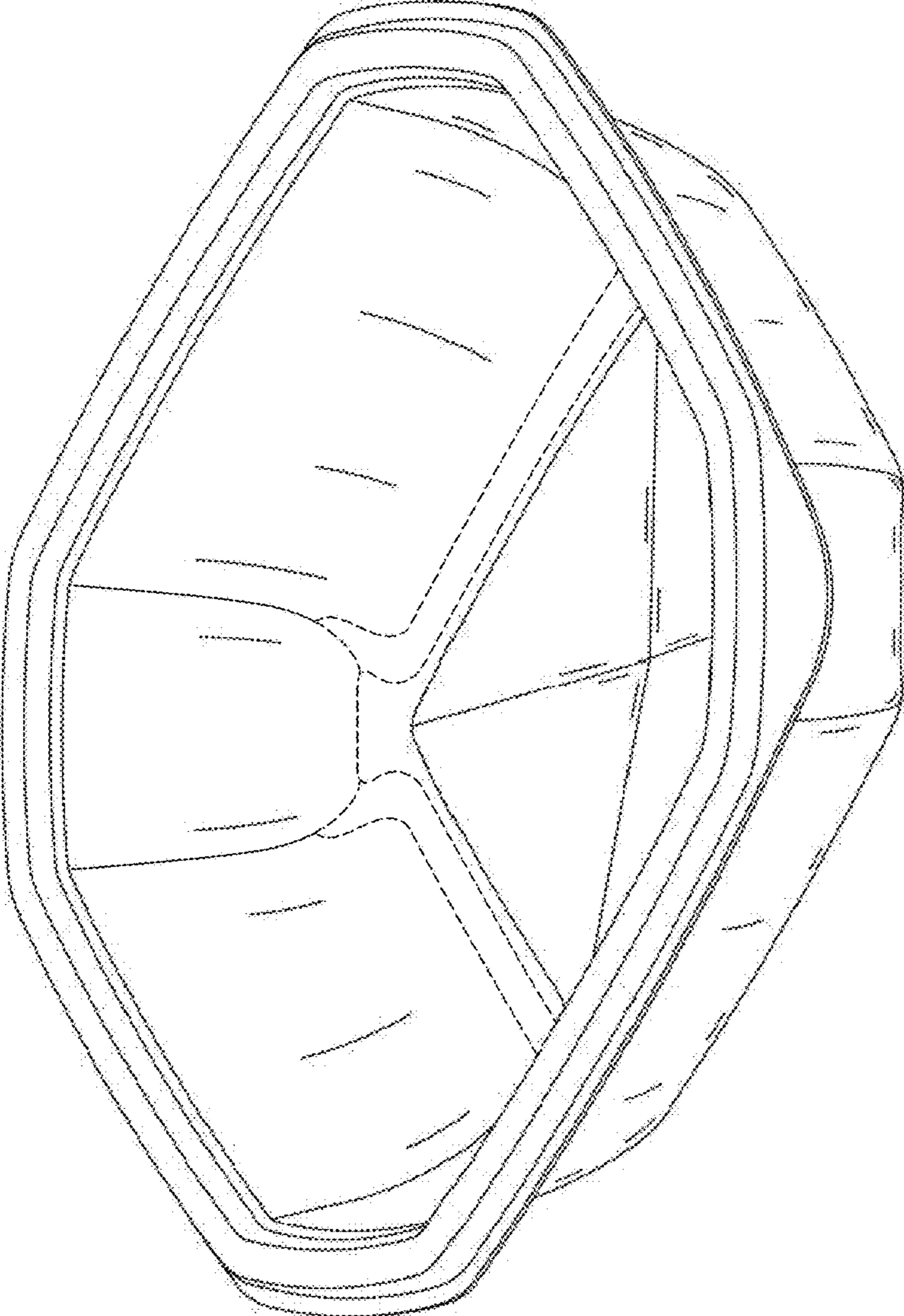


FIG. 1

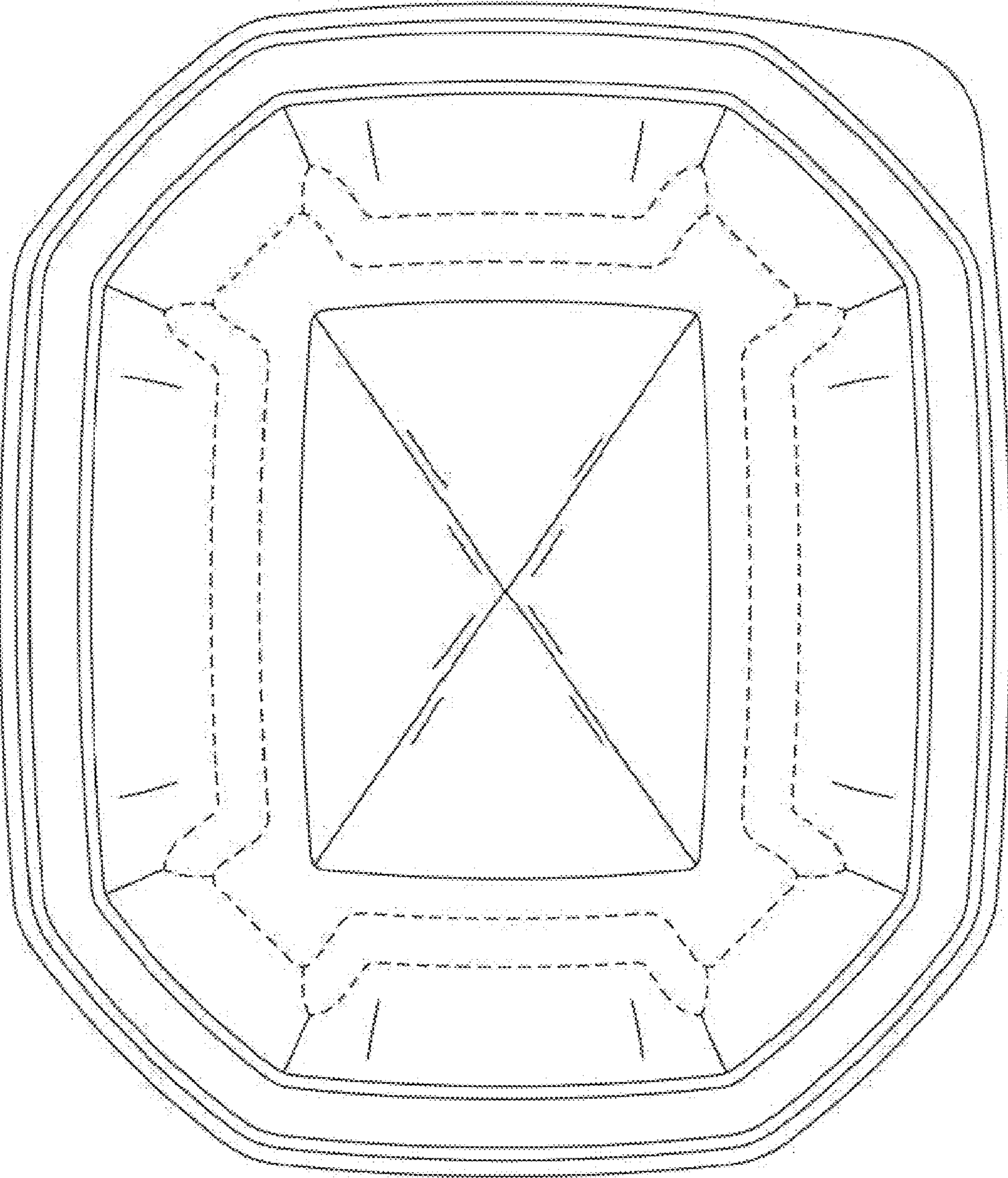


FIG. 2

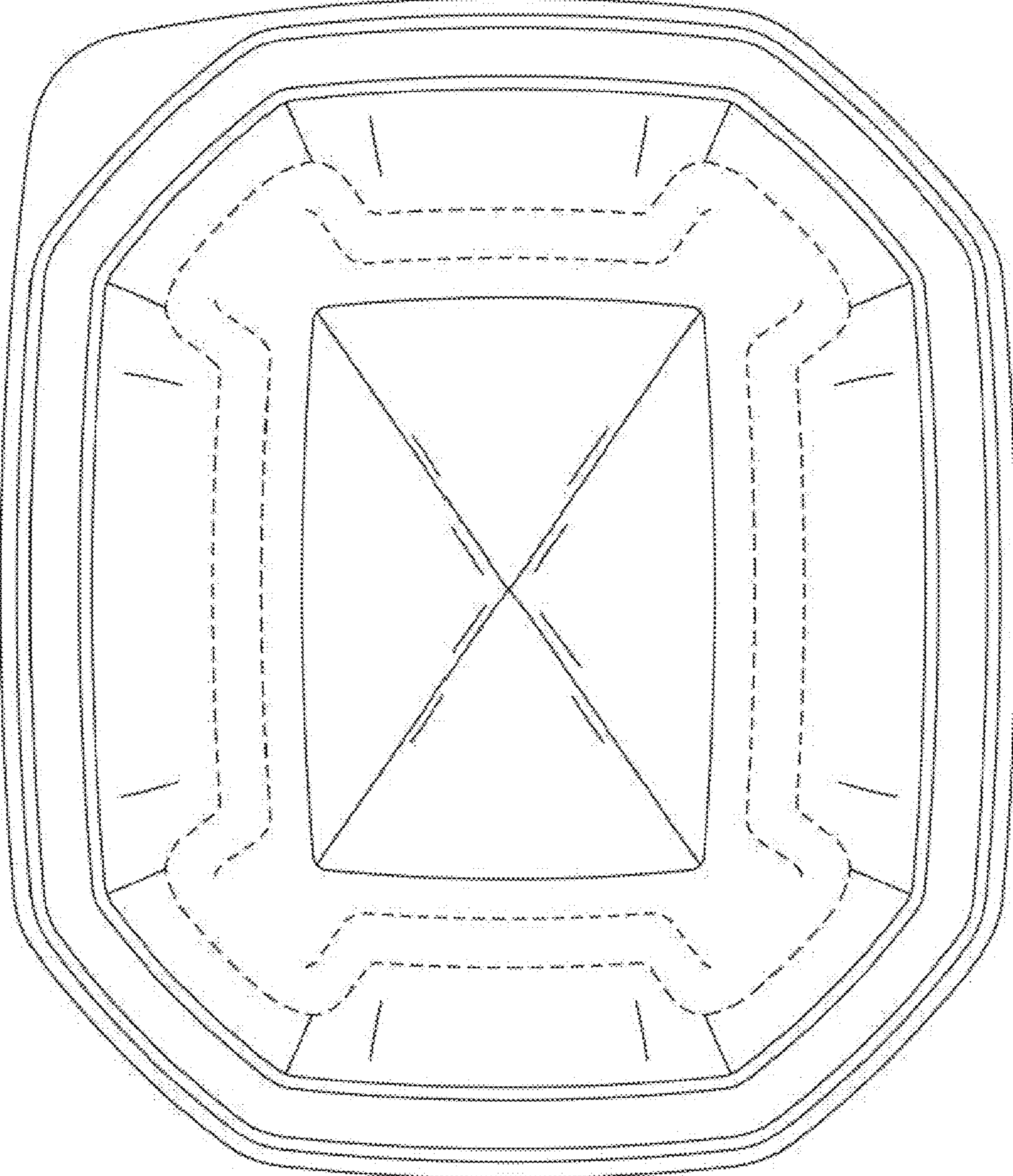


FIG. 3

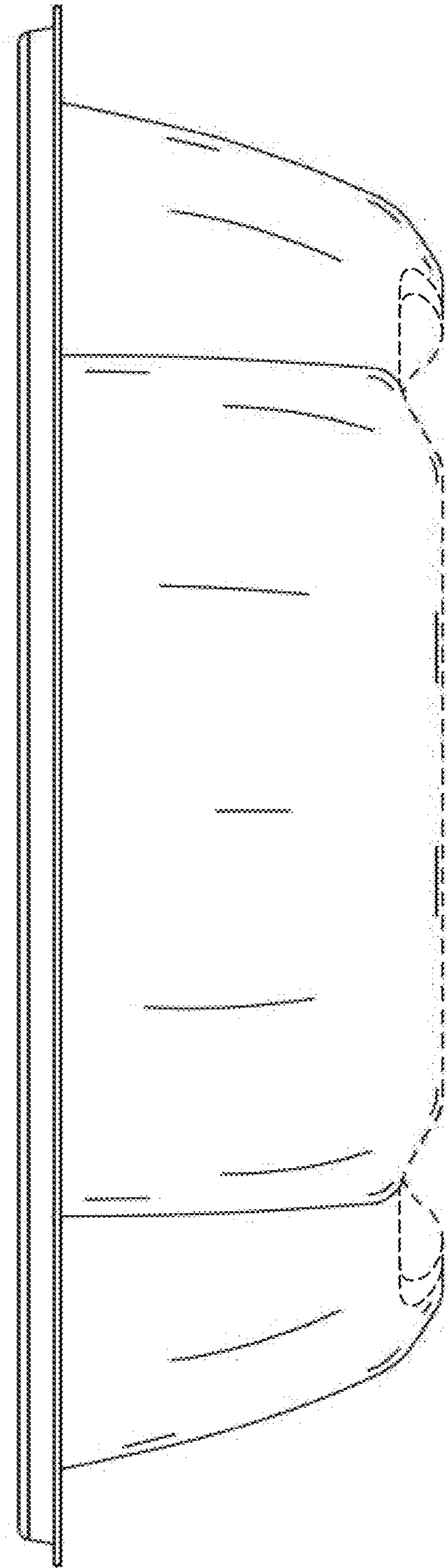


FIG. 4

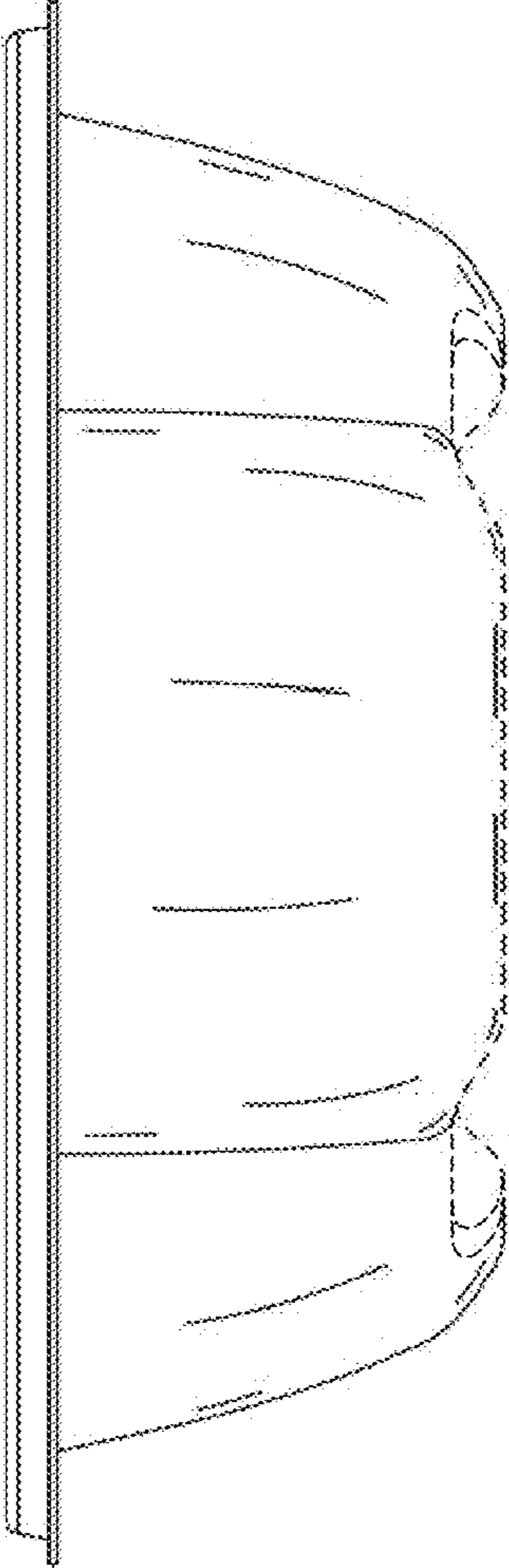


FIG. 5