



US00D798142S

(12) **United States Design Patent** (10) **Patent No.:** **US D798,142 S**
Falcon et al. (45) **Date of Patent:** **** Sep. 26, 2017**

(54) **PRODUCE BOX**
(71) Applicant: **Falconglen Limited**, Vancouver (CA)
(72) Inventors: **Paul Falcon**, Vancouver (CA); **Kong Chhem**, Richmond (CA)
(73) Assignee: **Falconglen Limited**, Vancouver (CA)
(**) Term: **15 Years**
(21) Appl. No.: **29/566,541**
(22) Filed: **May 31, 2016**
(51) **LOC (10) Cl.** **09-03**
(52) **U.S. Cl.**
USPC **D9/418; D9/432**
(58) **Field of Classification Search**
USPC D9/414-434, 442-445, 456, 457, 542,
D9/563, 707, 708, 711, 754, 759,
D9/772-776; D3/273, 276, 304, 305,
D3/307, 309-313; D7/601, 602, 709;
D19/75, 90
CPC B65D 5/00; B65D 5/001; B65D 5/0015;
B65D 5/0227-5/0254; B65D 5/5021;
B65D 5/6605; B65D 5/48024; B65B
5/06; B65B 43/162; B65B 2543/00101;
B65B 1/34; B65B 1/36
See application file for complete search history.

D674,690 S * 1/2013 Sill D9/431
D693,216 S * 11/2013 Sill D9/418
D693,217 S * 11/2013 Sill D9/418
D693,677 S * 11/2013 Pearson D9/431
D748,496 S * 2/2016 Young D9/432
D758,184 S * 6/2016 Tu D9/432
D760,446 S * 6/2016 Katers D30/109
2016/0039559 A1* 2/2016 Williams B65D 5/001
229/151

OTHER PUBLICATIONS

Royalty Free Stock Images: Cardboard box with handle. [online] Published date unknown. Retrieved on Dec. 29, 2016 from <URL: <https://www.dreamstime.com/royalty-free-stock-images-cardboard-box-handle-isolated-over-white-background-image30716849>>.*
Great Little Box Company, cardboard boxes, photograph, products were commercially available prior to the filing date of the instant application, circa before May 31, 2016.

* cited by examiner

Primary Examiner — Vy Koenig
Assistant Examiner — Omeed Agilee
(74) *Attorney, Agent, or Firm* — Kolisch Hartwell, P.C.

(57) **CLAIM**

The ornamental design for a produce box, as shown and described.

DESCRIPTION

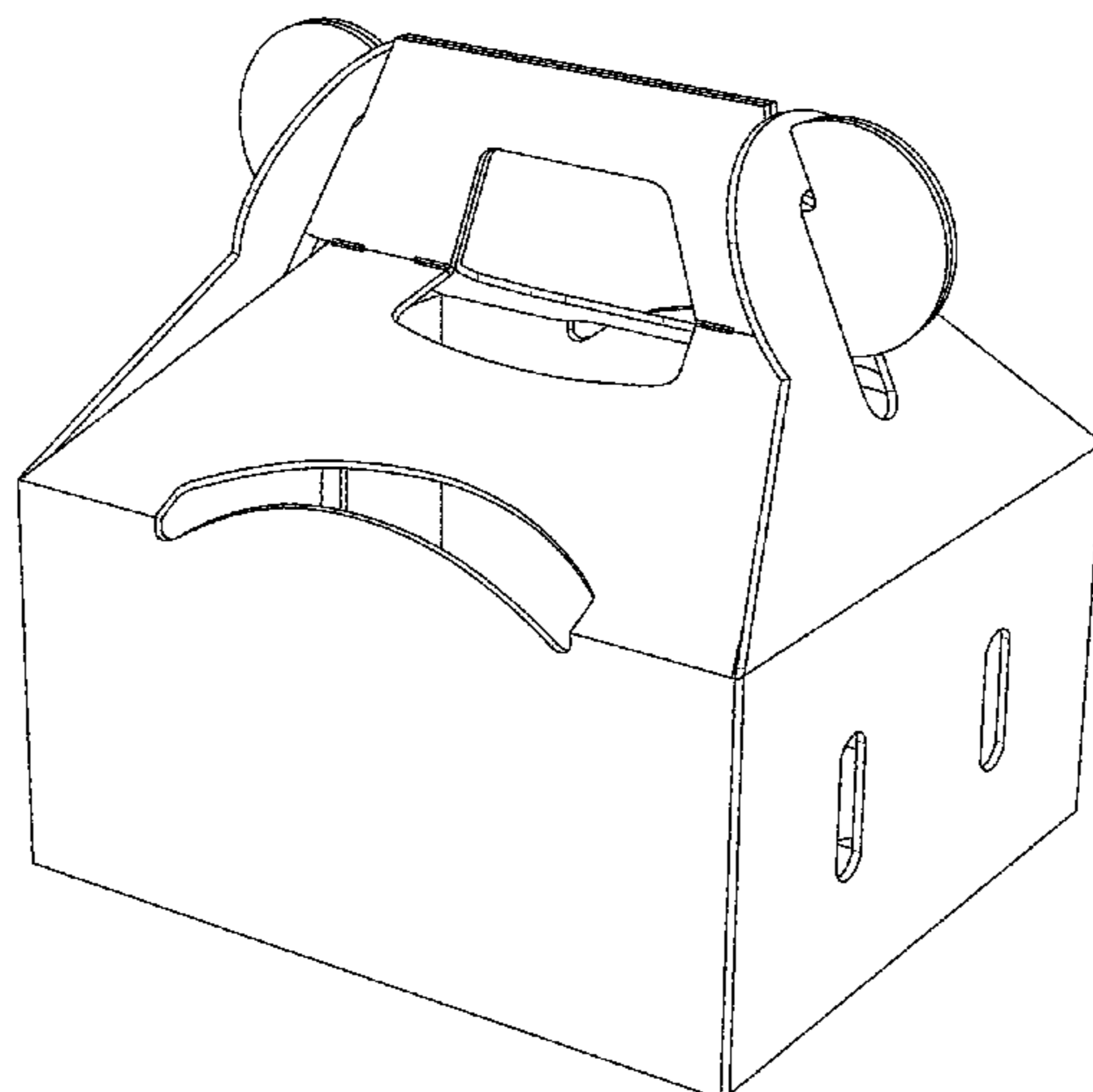
FIG. 1 is a front, right, and top perspective view of a produce box showing my new design;
FIG. 2 is a front view thereof;
FIG. 3 is a right side view thereof;
FIG. 4 is a rear view thereof;
FIG. 5 is a left side view taken from above thereof;
FIG. 6 is a top view thereof; and,
FIG. 7 is a bottom view thereof.
The broken lines in the drawings depict portions of the produce box that form no part of the claimed design.

1 Claim, 7 Drawing Sheets

(56) **References Cited**

U.S. PATENT DOCUMENTS

D242,901 S * 1/1977 Lohrbach D9/432
5,392,984 A * 2/1995 Yocum B65D 5/46112
229/117.14
5,853,121 A * 12/1998 Francisco B65D 5/2047
229/115
6,036,085 A * 3/2000 Tsao B65D 5/46096
229/117.14
D442,859 S * 5/2001 Hirschey D9/418
D576,482 S * 9/2008 DeBusk D9/416
D622,139 S * 8/2010 Marcott D9/418
D636,220 S * 4/2011 Caldwell D3/308



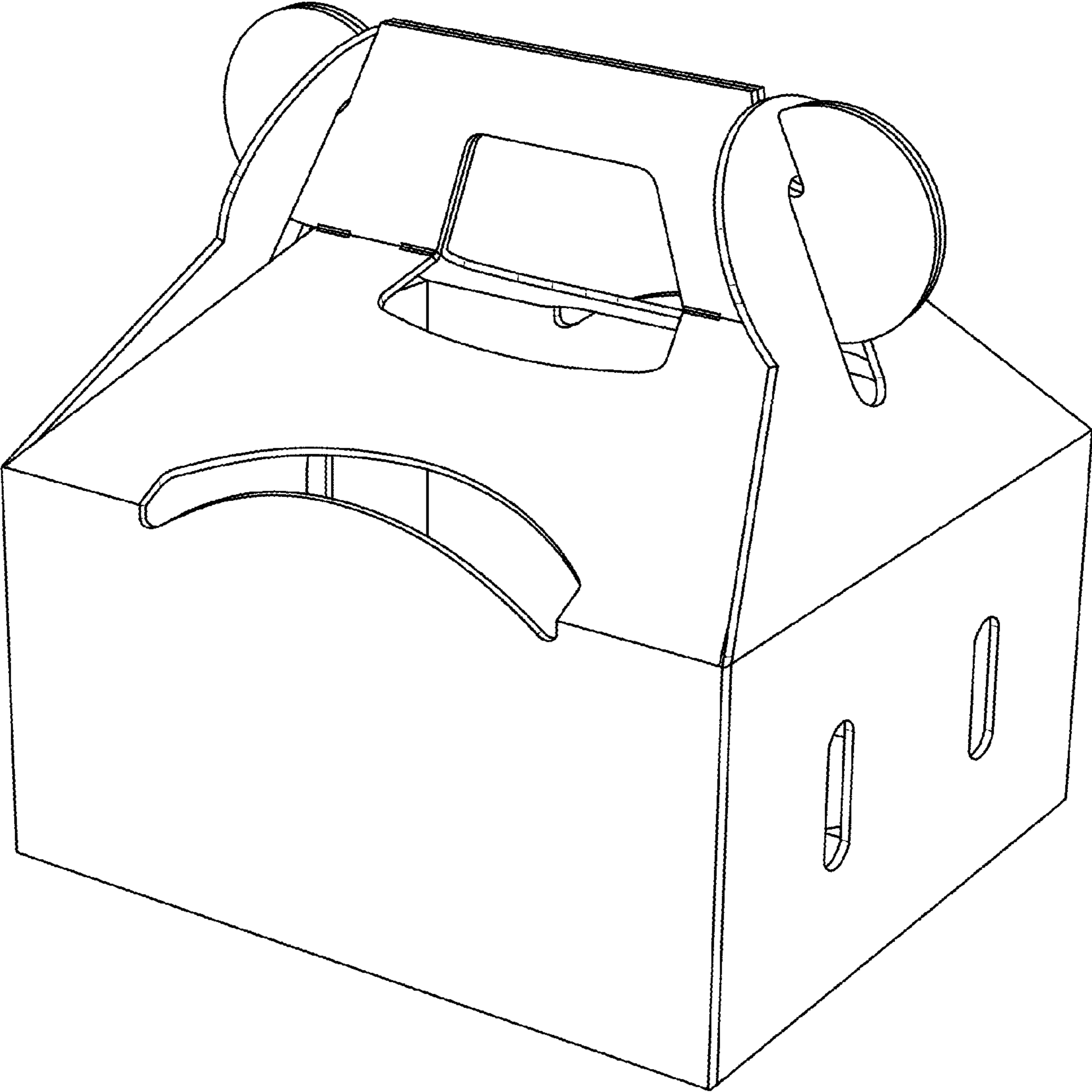


FIG. 1

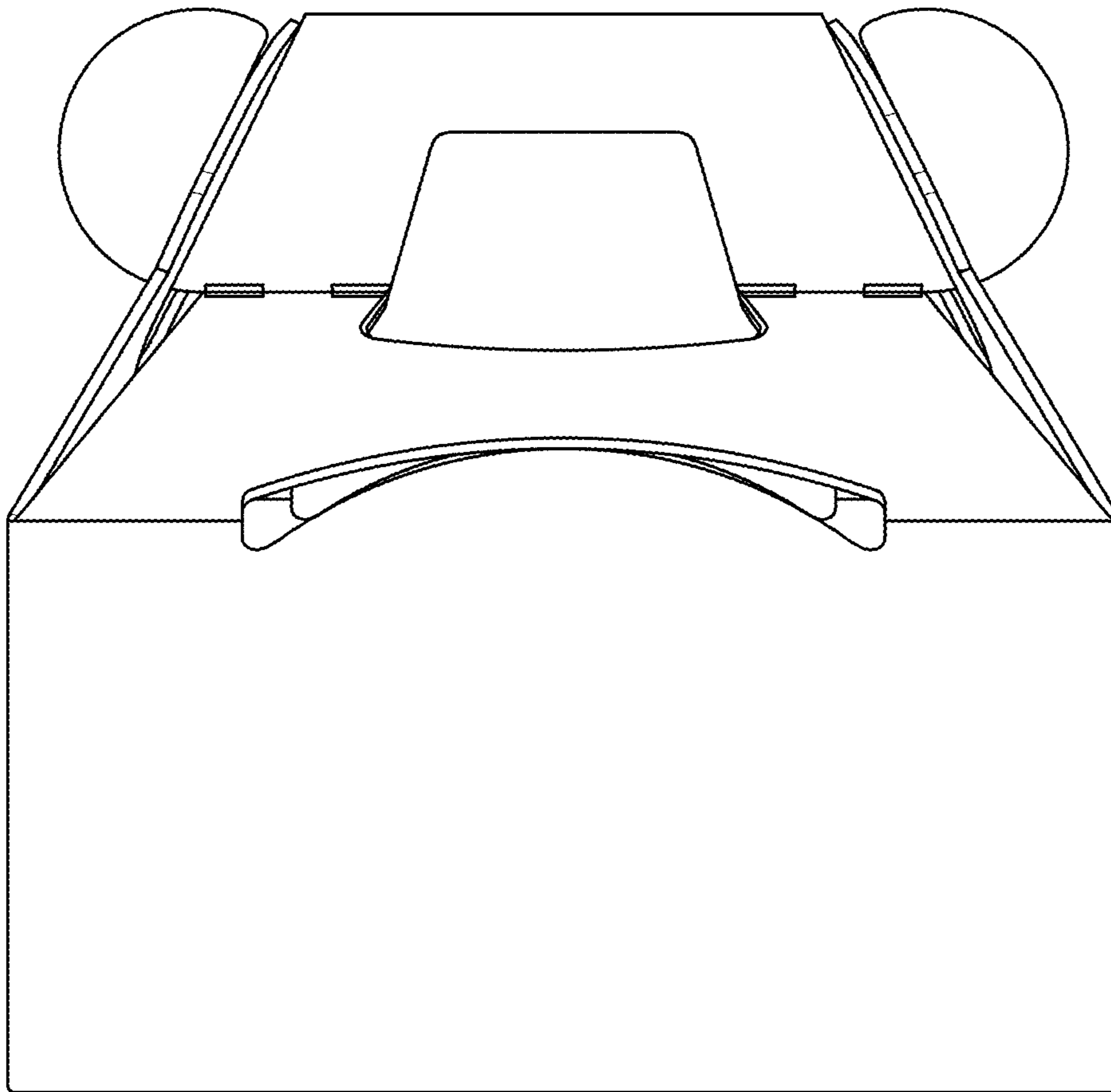


FIG. 2

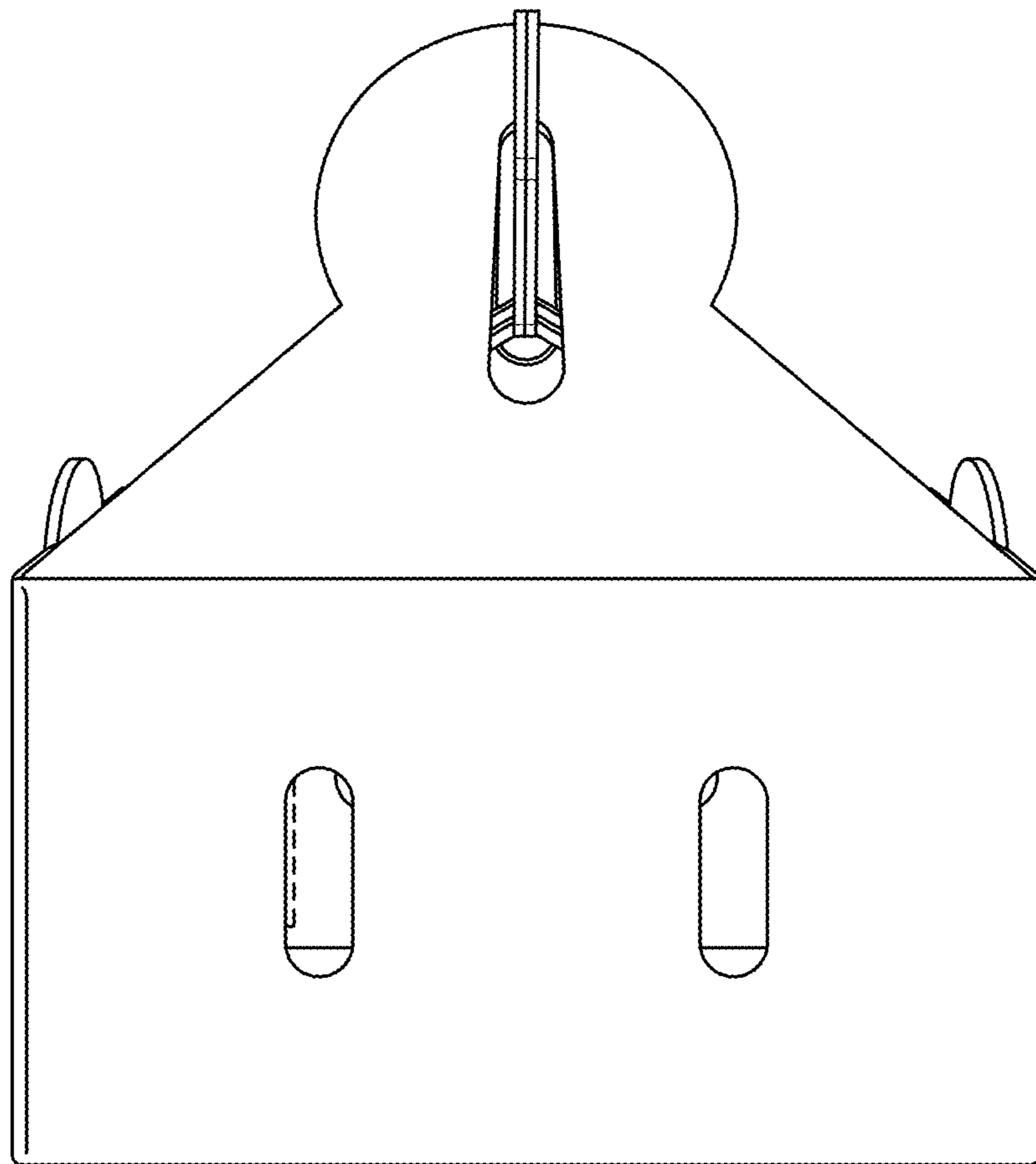


FIG. 3

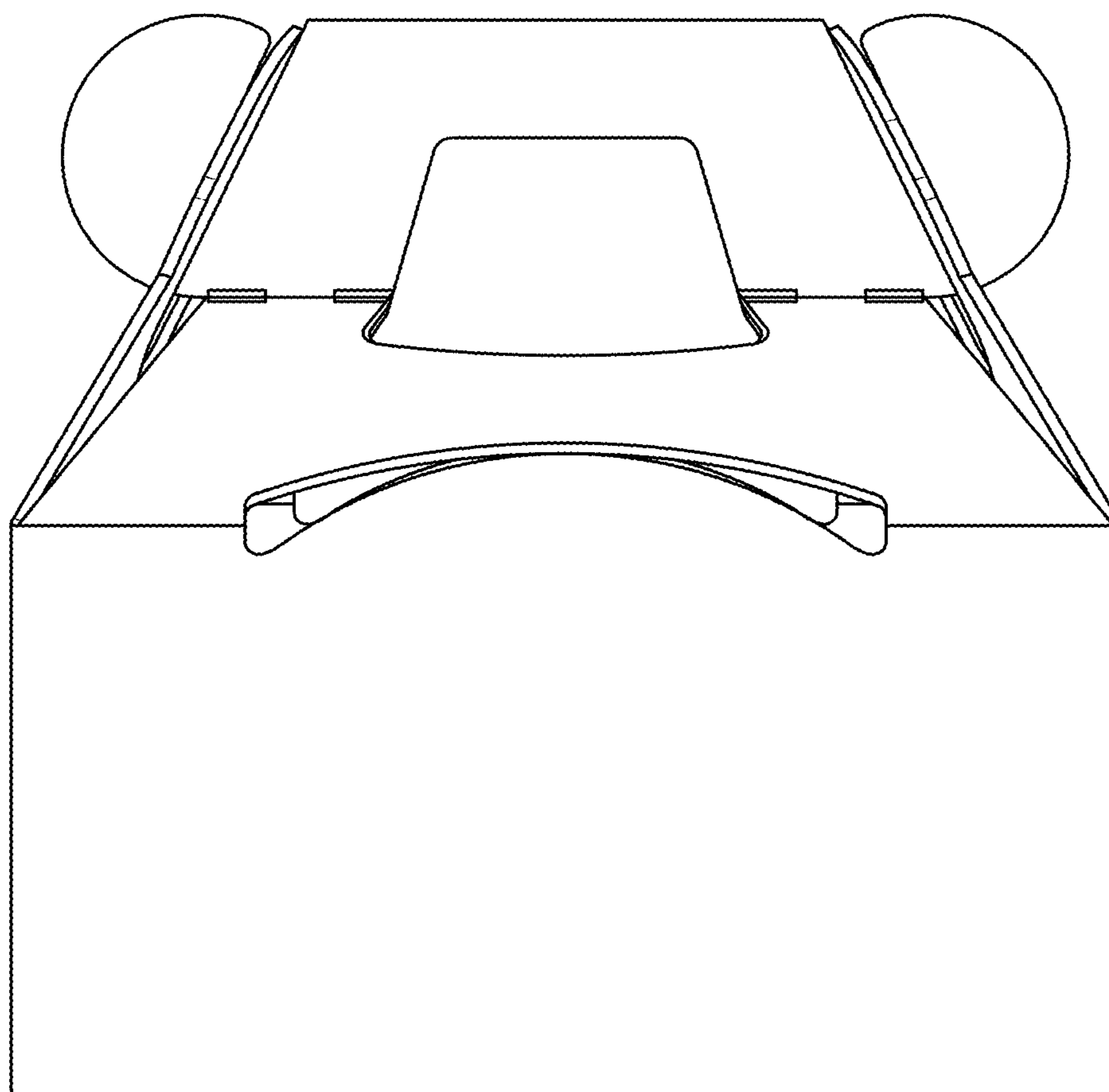


FIG. 4

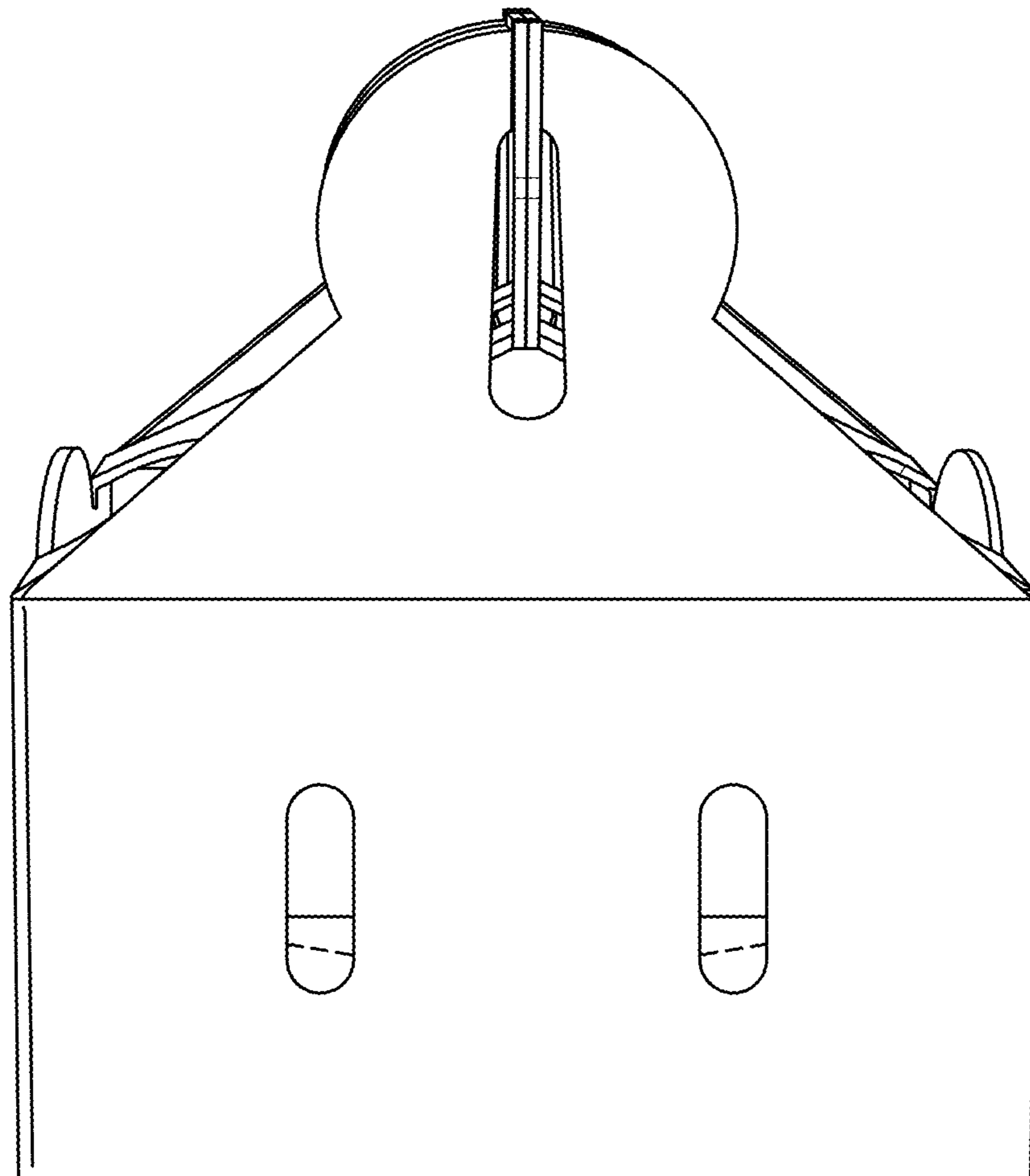


FIG. 5

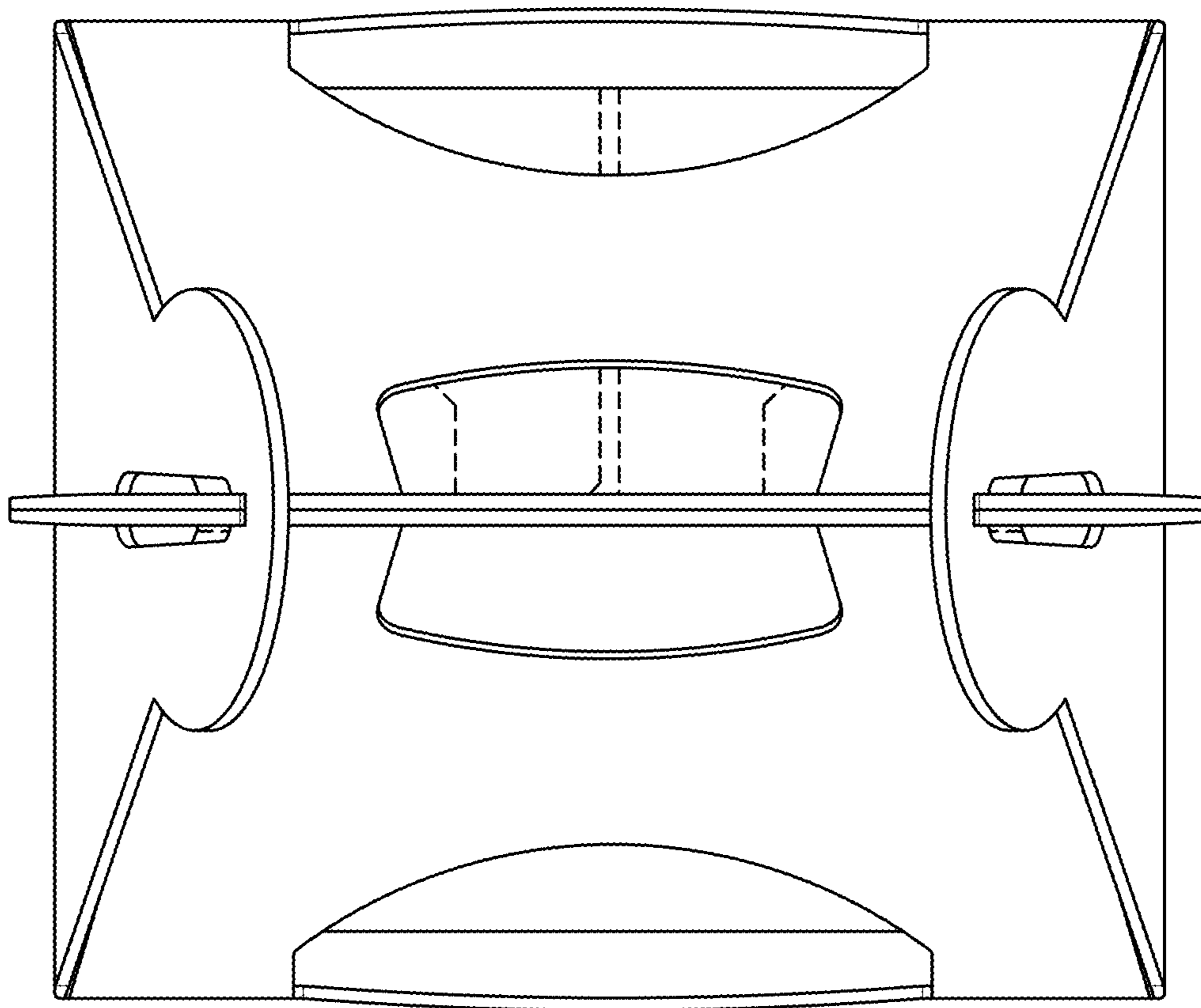


FIG. 6

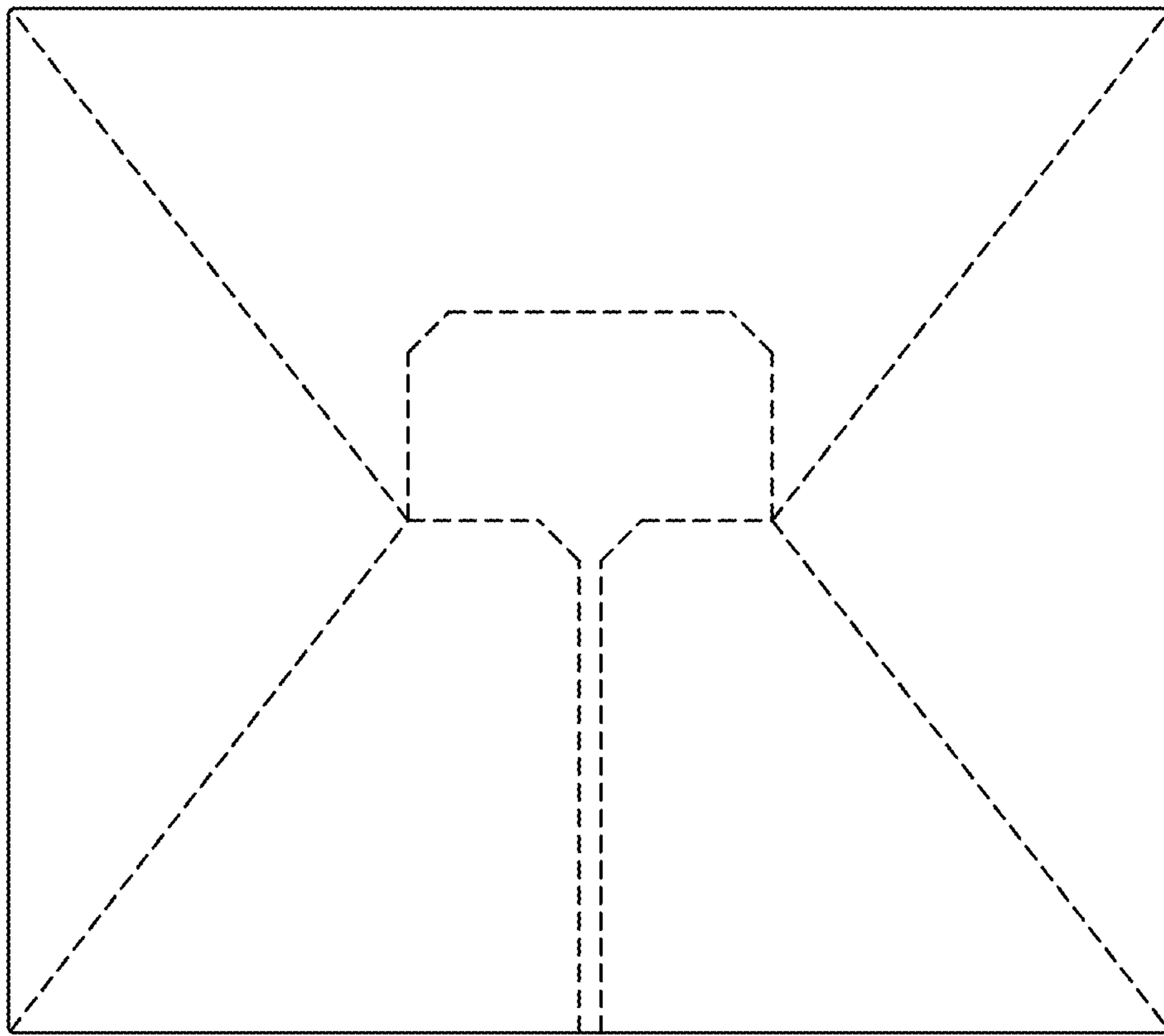


FIG. 7