



US00D798139S

(12) **United States Design Patent** (10) **Patent No.:** **US D798,139 S**
Giannatti (45) **Date of Patent:** **** Sep. 26, 2017**

(54) **CLAMP**
(71) Applicant: **WINSTON PRODUCTS, LLC,**
Cleveland, OH (US)
(72) Inventor: **Nicholas D. Giannatti,** Hudson, OH
(US)
(73) Assignee: **WINSTON PRODUCTS, LLC.,**
Cleveland, OH (US)
(**) Term: **15 Years**
(21) Appl. No.: **29/549,961**
(22) Filed: **Dec. 29, 2015**
(51) **LOC (10) Cl.** **08-08**
(52) **U.S. Cl.**
USPC **D8/394; D8/395**
(58) **Field of Classification Search**
USPC D8/394-396, 71-74, 499, 354-355, 380
CPC F16L 3/237; B46D 47/00; B64D 37/005;
F16B 2/10; A43D 79/00; A41B 3/08
See application file for complete search history.

D543,896 S 6/2007 Gunnarsson
7,243,402 B2 7/2007 Andersen et al.
7,308,739 B2 12/2007 Andersen et al.
D574,702 S * 8/2008 Stephens D8/395
7,422,509 B2 9/2008 Fildan et al.
D592,039 S * 5/2009 Okuda D8/356
(Continued)

FOREIGN PATENT DOCUMENTS

CN 302411815 * 4/2013

OTHER PUBLICATIONS

Amazon.com : Midori D-Clips Whale, review date Jan. 4, 2014,
<https://www.amazon.com/Midori-43181006-D-Clips-Whale/dp/B001VV1V10>, [site visited Dec. 6, 2016 7:28:37 PM].*
(Continued)

Primary Examiner — John Windmuller
Assistant Examiner — John R Yeh
(74) *Attorney, Agent, or Firm* — Tucker Ellis LLP

(57) **CLAIM**

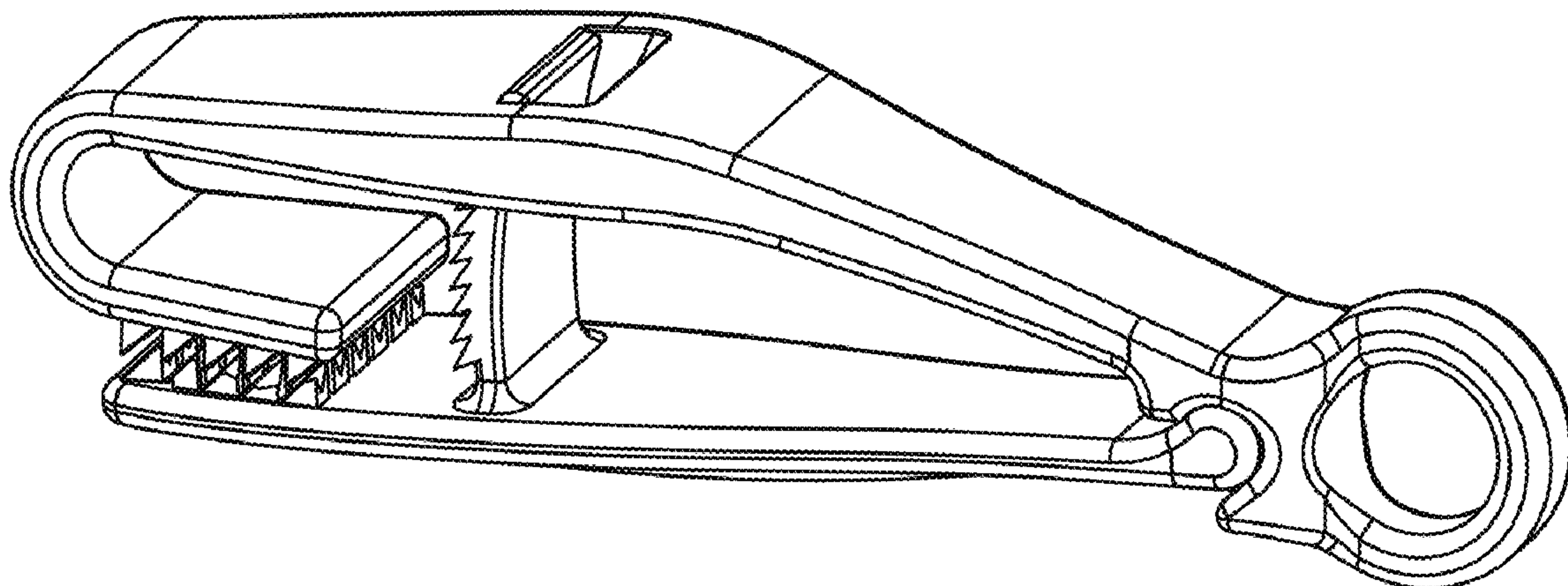
The ornamental design for a clamp, as shown and described.

DESCRIPTION

FIG. 1 is a perspective view of a clamp in a closed position showing my new design;
FIG. 2 is a side view thereof;
FIG. 3 is a front view thereof;
FIG. 4 is a rear view thereof;
FIG. 5 is a top view thereof;
FIG. 6 is a bottom view thereof;
FIG. 7 is a front view of the clamp in an open position;
FIG. 8 is a rear view thereof;
FIG. 9 is a top view thereof;
FIG. 10 is a bottom view thereof; and,
FIG. 11 is a side view thereof.

1 Claim, 4 Drawing Sheets

(56) **References Cited**
U.S. PATENT DOCUMENTS
D176,013 S * 11/1955 Hamel D22/147
D284,810 S * 7/1986 Kelemen, Sr. D3/315
4,623,102 A * 11/1986 Hough, Jr. F16L 3/1236
24/543
5,388,313 A 2/1995 Cameron
D407,631 S * 4/1999 Fredriksson D8/499
D428,330 S * 7/2000 Johnston D8/395
D439,504 S * 3/2001 Caveney D8/356
D472,457 S * 4/2003 Fenton D8/394
D476,556 S * 7/2003 Martin D8/395
D484,400 S * 12/2003 Blake D8/356
6,698,071 B1 3/2004 Greer, Jr.
6,789,295 B1 9/2004 Svensson
D521,367 S * 5/2006 Blanton D8/395
7,152,284 B1 12/2006 Greer, Jr.
D537,329 S * 2/2007 Blanton D8/395



(56)

References Cited

U.S. PATENT DOCUMENTS

D628,468 S * 12/2010 Camp, Jr. D8/395
7,996,963 B2 8/2011 Cameron
D669,773 S * 10/2012 Colasse D8/395
D670,998 S 11/2012 Lavoie et al.
8,336,173 B2 12/2012 Pontaoe et al.
8,336,843 B2 12/2012 Gulbrandsen et al.
D680,851 S * 4/2013 Lo D8/356
D682,080 S * 5/2013 Borovicka D8/395
D722,490 S * 2/2015 Lyons D8/395
8,991,448 B2 3/2015 White
8,997,315 B2 4/2015 Lebeau
D740,112 S * 10/2015 Lyons D8/395
D770,267 S * 11/2016 Roan D8/395
D770,886 S * 11/2016 Whitaker D8/394
2014/0373316 A1 12/2014 Wilson et al.
2014/0373318 A1 12/2014 Wilson et al.

OTHER PUBLICATIONS

Plastic Ratchet Clamps for Lawn Sprinklers, website 2007, <http://www.sprinklerwarehouse.com/Plastic-Ratchet-Clamps-s/9783.htm>, site visited Dec. 6, 2016.*

* cited by examiner

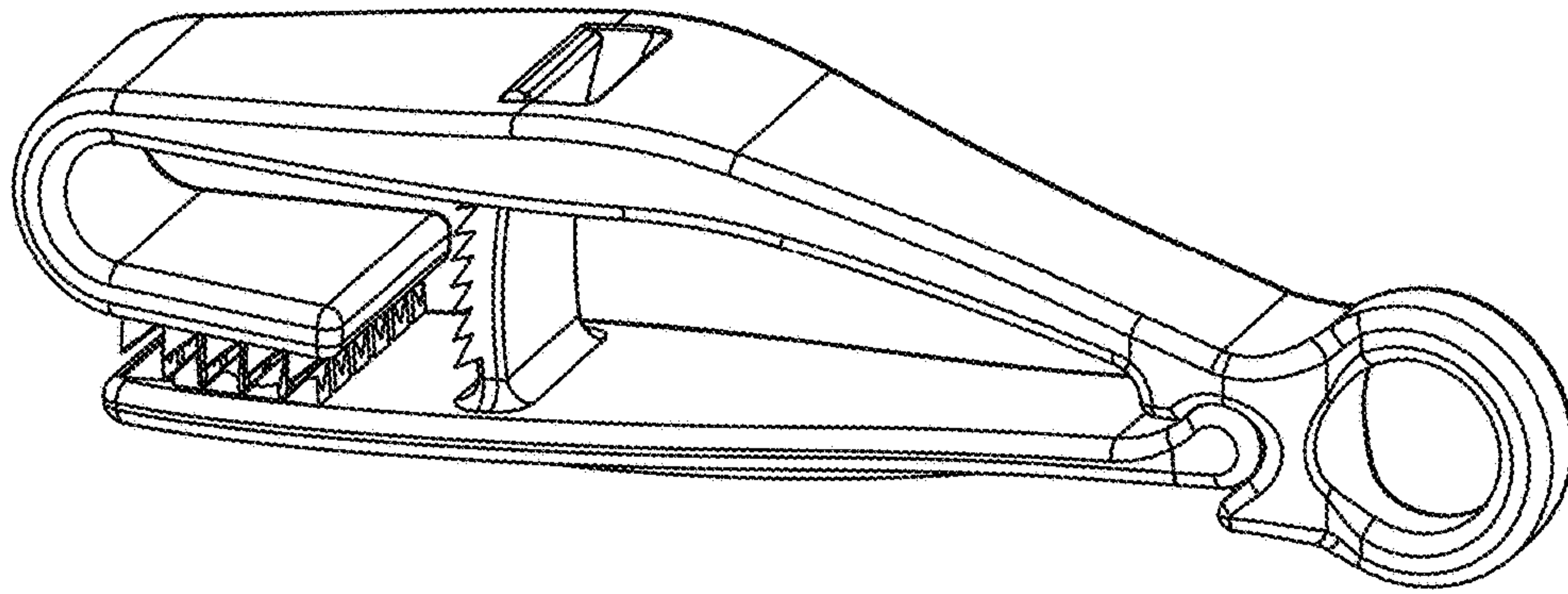


FIG. 1

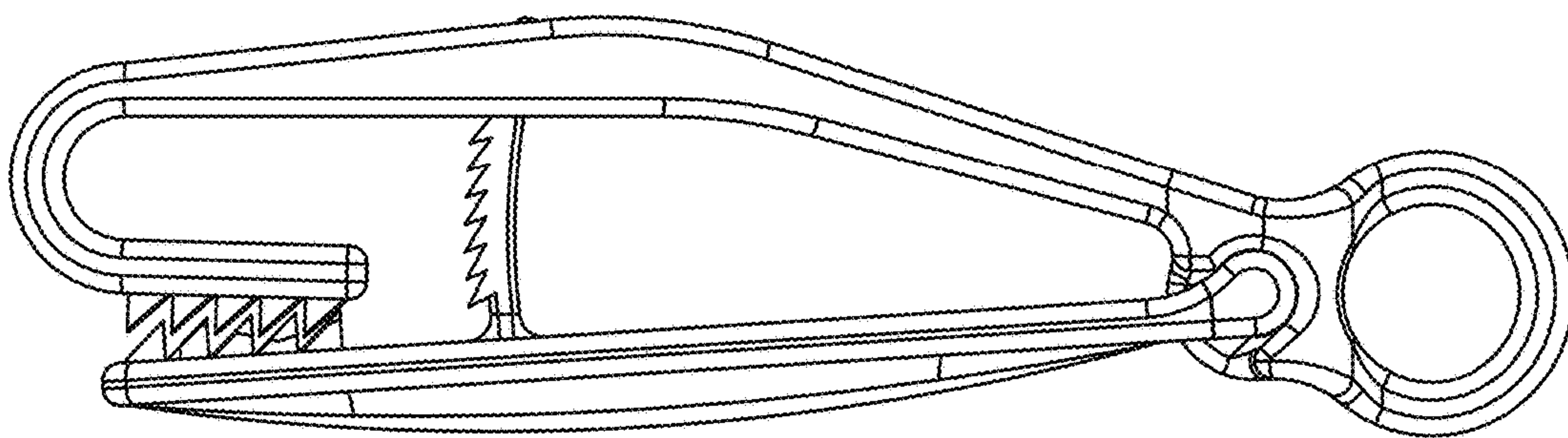


FIG. 2

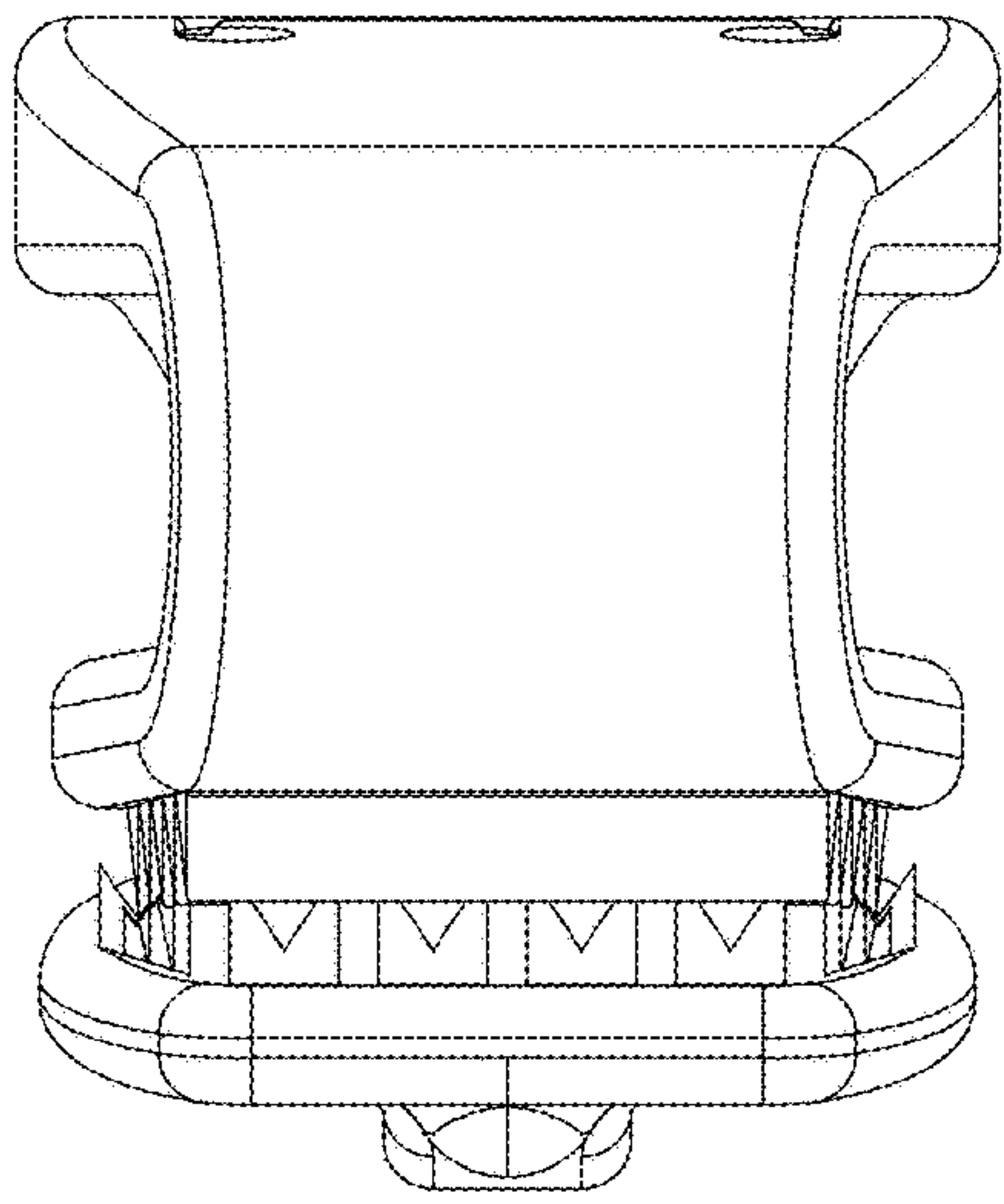


FIG. 3

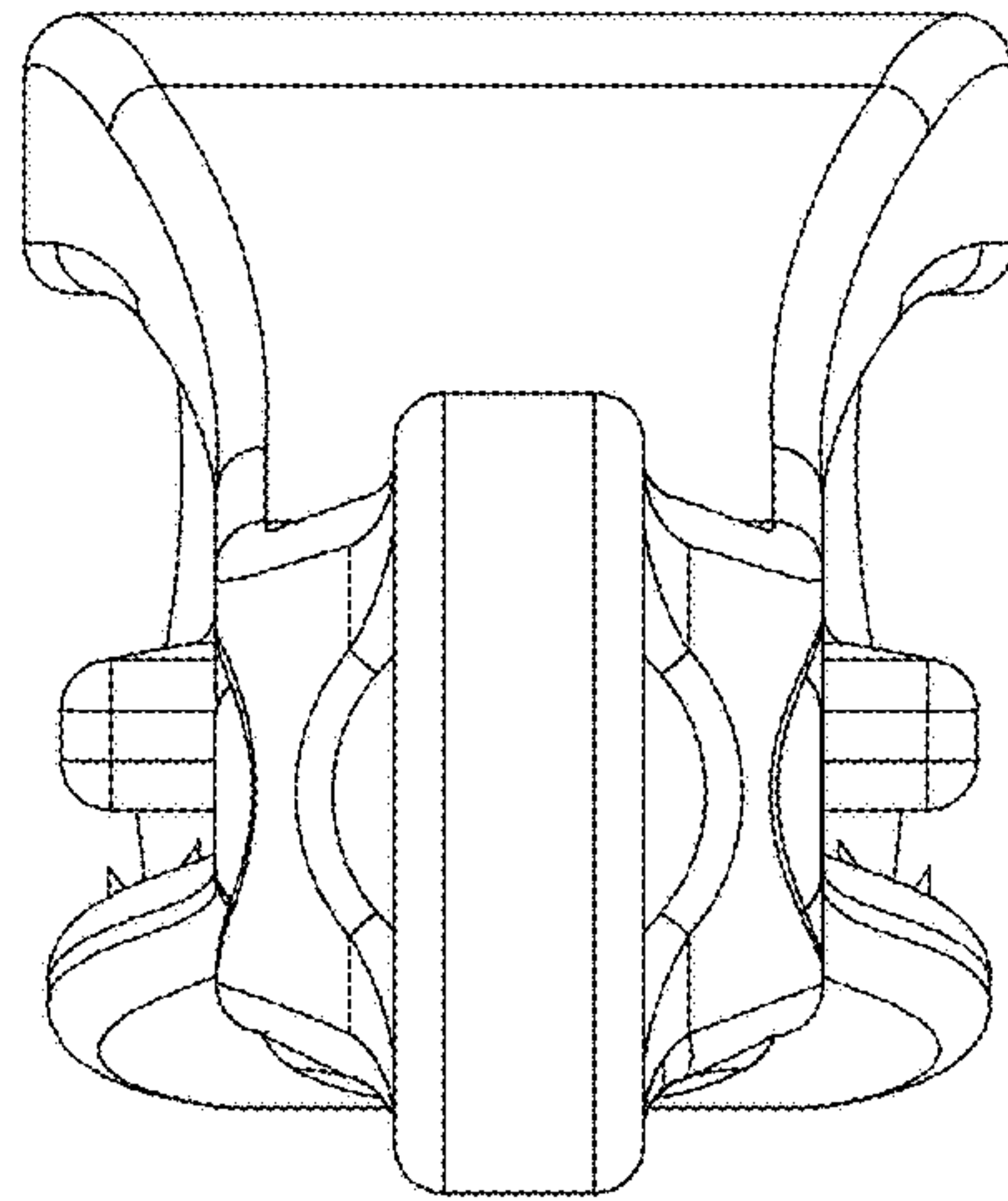


FIG. 4

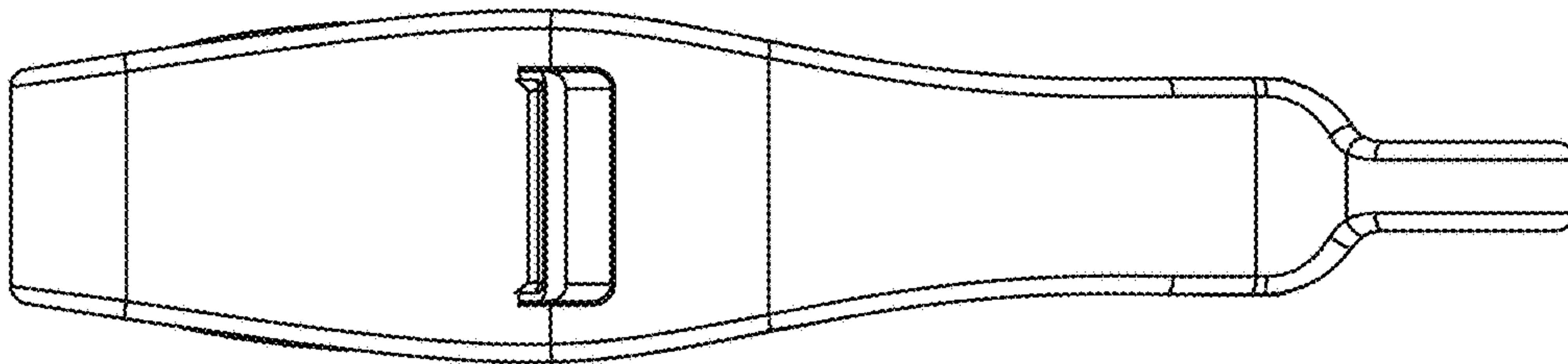


FIG. 5

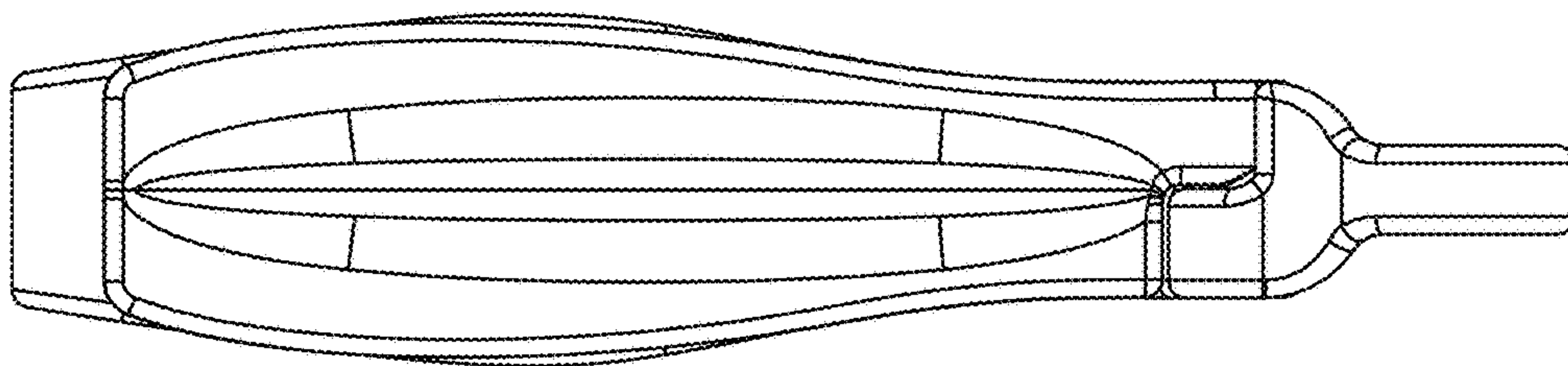


FIG. 6

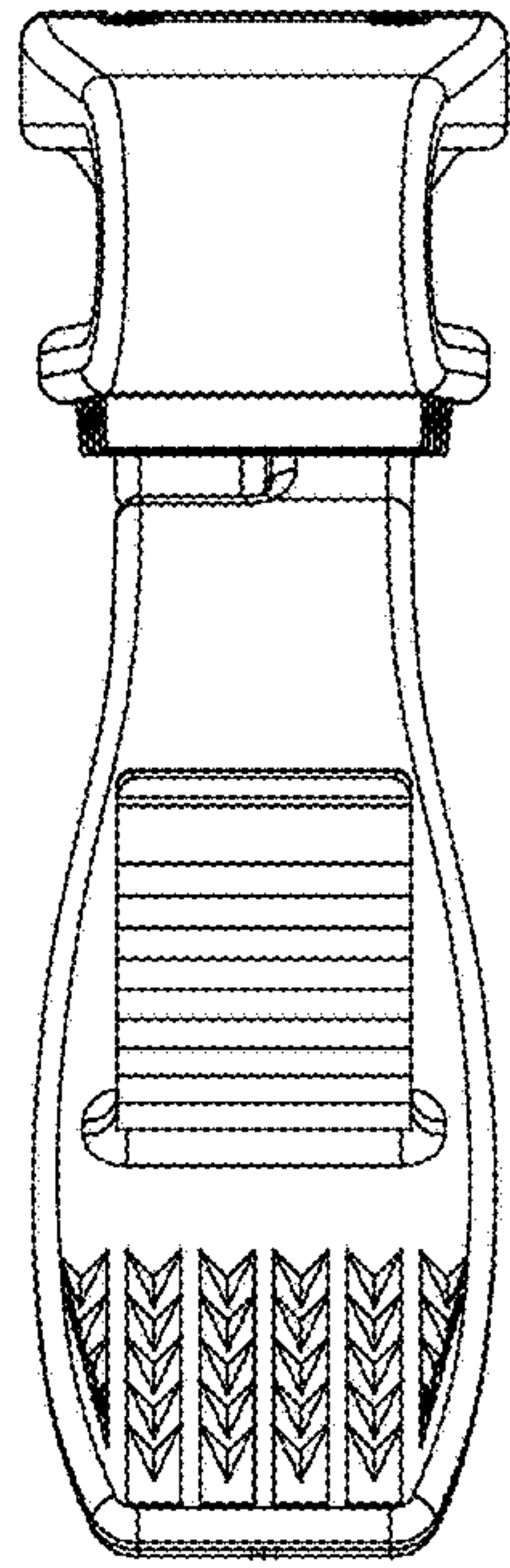


FIG. 7

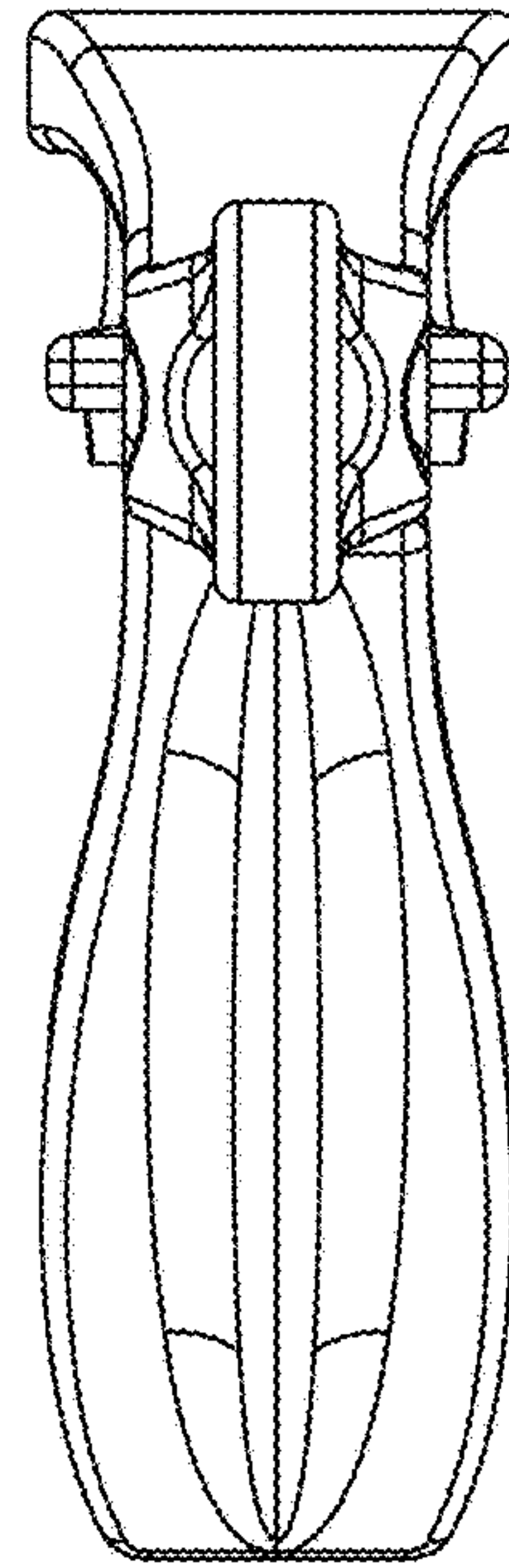


FIG. 8

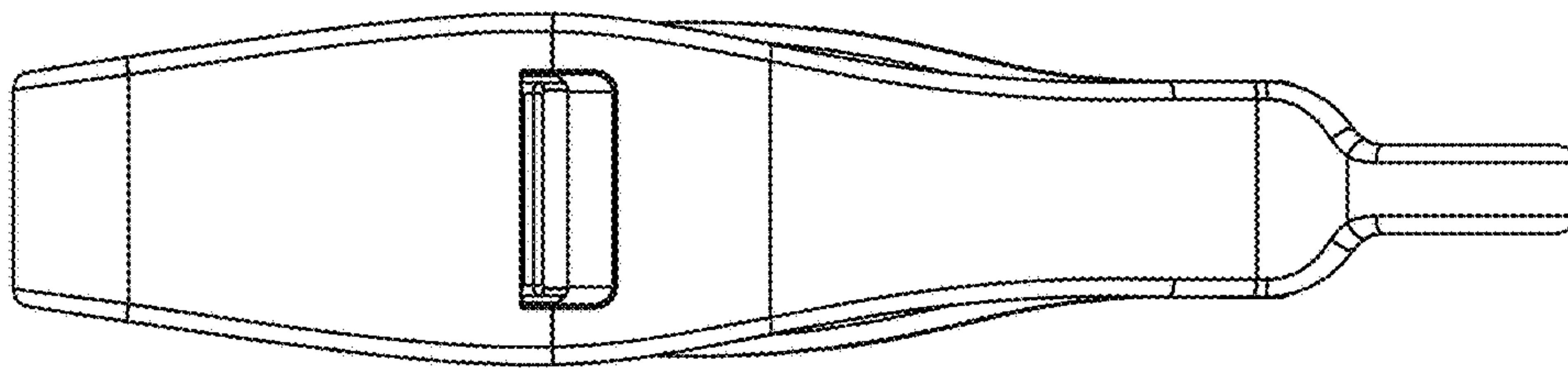


FIG. 9

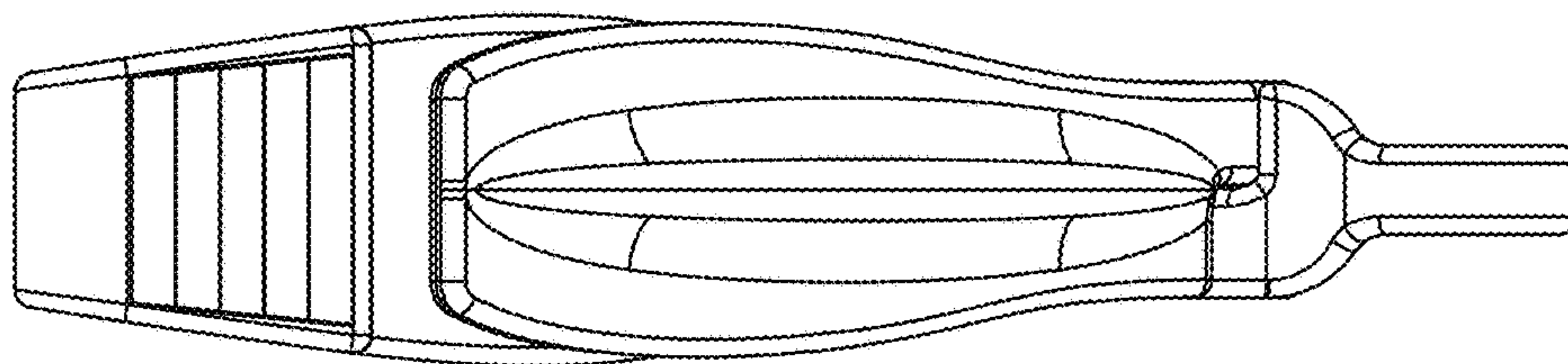


FIG. 10

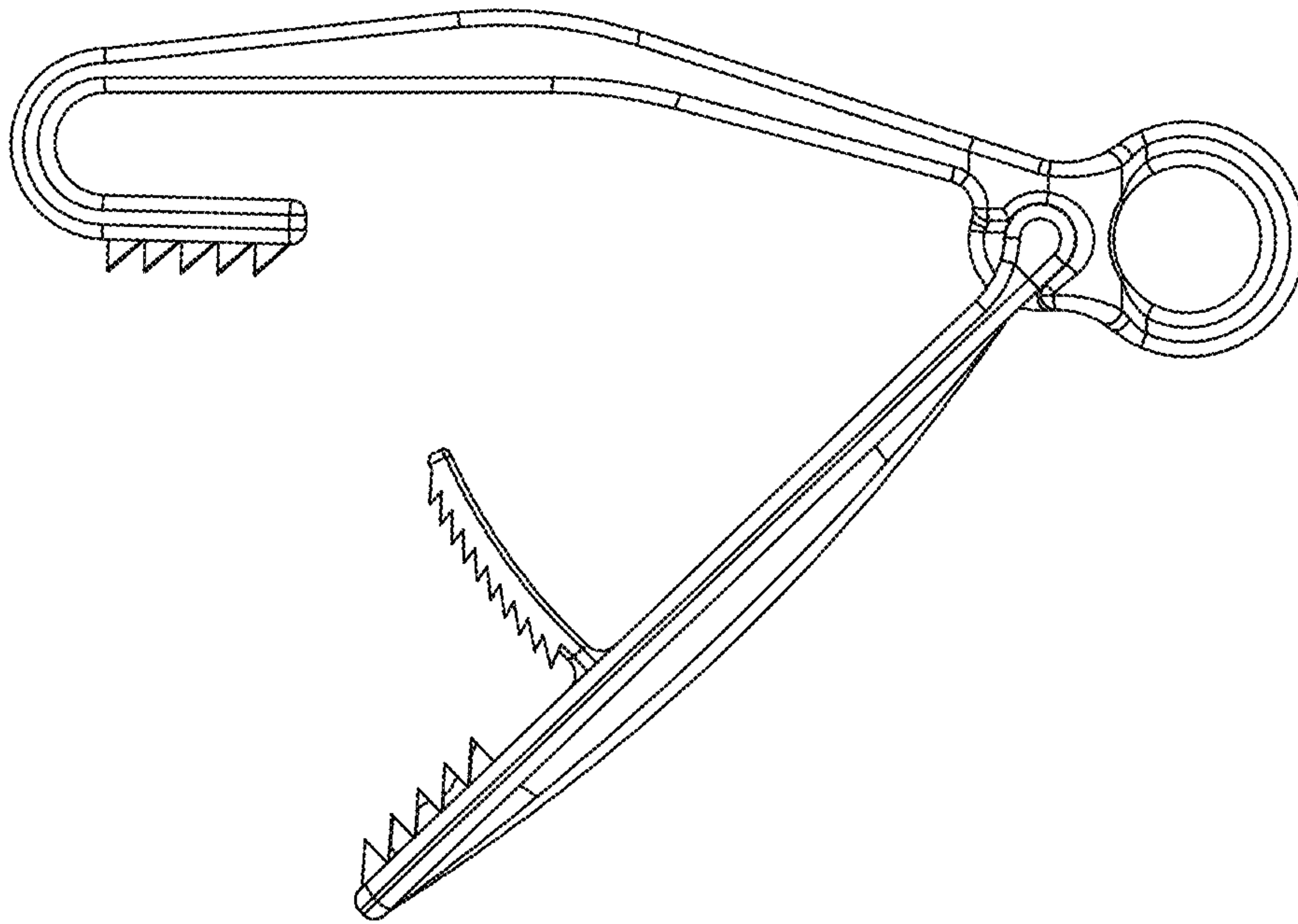


FIG. 11