

US00D798137S

(12) **United States Design Patent**
Locatell

(10) **Patent No.:** **US D798,137 S**

(45) **Date of Patent:** **** Sep. 26, 2017**

- (54) **REMOVABLE FORM TIE**
- (71) Applicant: **Frank Locatell**, Arcadia, CA (US)
- (72) Inventor: **Frank Locatell**, Arcadia, CA (US)
- (**) Term: **15 Years**
- (21) Appl. No.: **29/596,599**
- (22) Filed: **Mar. 9, 2017**
- (51) **LOC (10) Cl.** **08-08**
- (52) **U.S. Cl.**
USPC **D8/384**
- (58) **Field of Classification Search**
USPC D8/16, 19, 71, 349, 354, 382, 384, 385,
D8/499, 364, 366, 381, 373, 380;
D25/68, 133, 199
CPC . E04G 17/14; E04G 17/0752; E04G 17/0751;
E04G 2017/0627; E04G 17/06; E04B
2/8652; E04B 2002/8688
See application file for complete search history.

- 7,229,051 B2 * 6/2007 Mailhot, Jr. A61M 5/1418
211/70.6
- D587,046 S * 2/2009 Liss D6/712
- D621,691 S * 8/2010 Tezak D8/349
- D644,503 S * 9/2011 Crane D8/354
- 8,181,419 B1 * 5/2012 diGirolamo E04B 2/768
248/909
- D667,288 S * 9/2012 Preda D8/354
- D667,289 S * 9/2012 Preda D8/354
- 8,763,982 B1 7/2014 Murrell
- D730,545 S * 5/2015 Stauffer D25/133
- D732,708 S * 6/2015 Stauffer D25/133

(Continued)

OTHER PUBLICATIONS

Concrete Tie, Product Manual dated 1998, Introduction to Chapter 2 (65 total pages).

Primary Examiner — Sandra Snapp

Assistant Examiner — Ieisha Price

(74) *Attorney, Agent, or Firm* — Todd R. Miller

(57) **CLAIM**

The ornamental design for a removable form tie, as shown and described.

DESCRIPTION

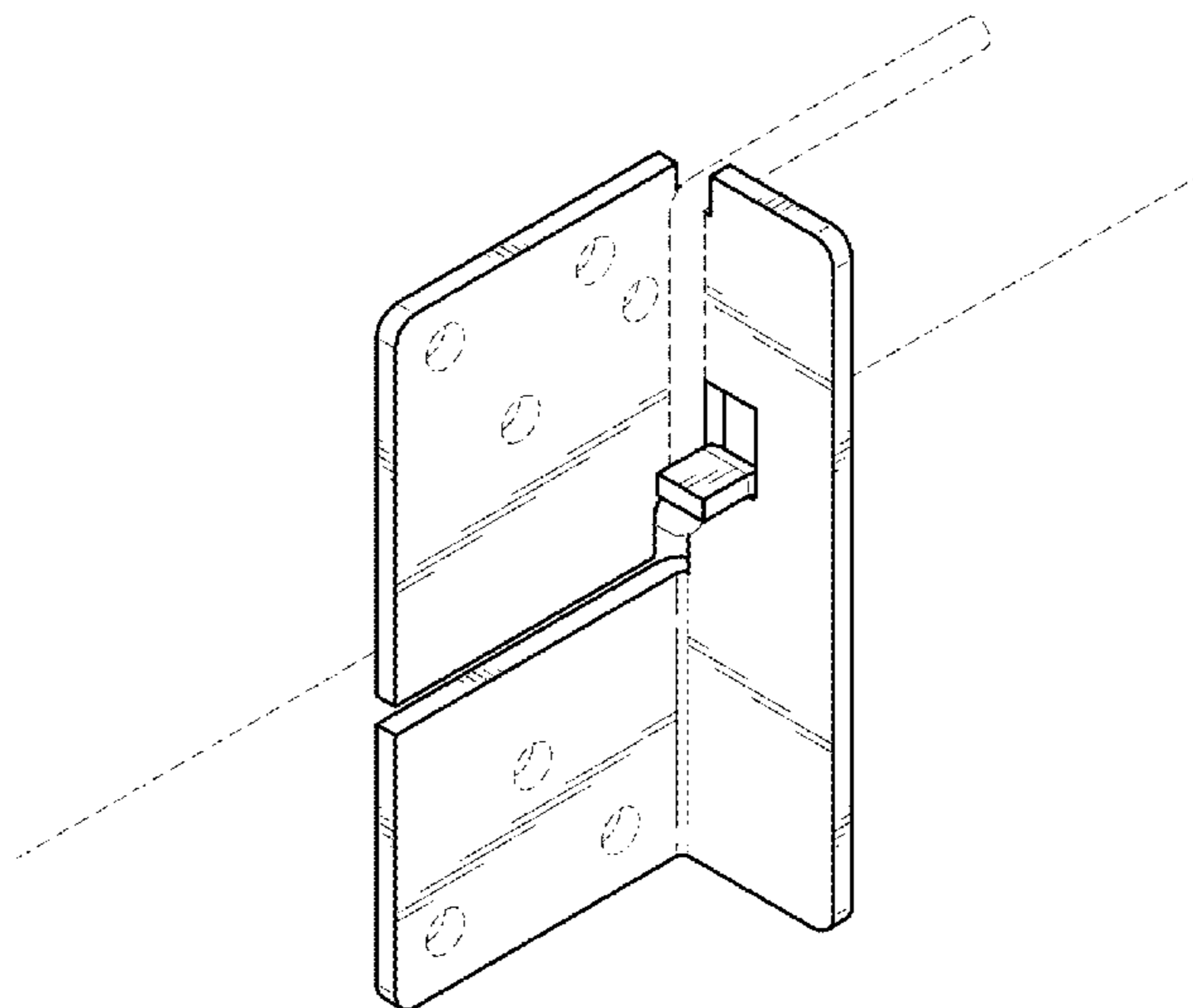
FIG. 1 is a perspective view embodying the inventive design;
 FIG. 2 is a front view thereof;
 FIG. 3 is a left view thereof;
 FIG. 4 is a rear view thereof;
 FIG. 5 is a right view thereof;
 FIG. 6 is a top view thereof;
 FIG. 7 is a bottom view thereof; and,
 FIG. 8 is a perspective view thereof showing the inventive design in use.
 The broken lines rendered in FIG. 8 illustrates the environment of the claimed design and forms no part thereof.

1 Claim, 3 Drawing Sheets

(56) **References Cited**

U.S. PATENT DOCUMENTS

- 2,055,285 A * 9/1936 Newell B60Q 1/26
248/300
- 4,074,486 A * 2/1978 Grearson E04B 2/60
52/235
- D248,274 S * 6/1978 Kingston D8/354
- 4,706,429 A 11/1987 Young
- 4,726,560 A 2/1988 Dotson
- 4,936,540 A 6/1990 Boeshart
- D357,855 S 5/1995 Keith
- D371,506 S * 7/1996 Nofziger D8/354
- D378,049 S 2/1997 Boeshart
- 5,642,597 A * 7/1997 Hendrickson E04B 2/7457
52/489.1
- D422,886 S * 4/2000 Shea D8/354
- D536,952 S * 2/2007 Vejmarker D8/354
- 7,174,690 B2 * 2/2007 Zadeh E04B 1/2403
52/712



(56)

References Cited

U.S. PATENT DOCUMENTS

9,091,056	B2 *	7/2015	Stauffer	E04B 1/40
2003/0126820	A1 *	7/2003	Callahan	E04B 5/12
				52/514
2007/0199274	A1 *	8/2007	Rice	E04B 2/763
				52/712
2016/0258170	A1 *	9/2016	Cymbala	E04G 17/02

* cited by examiner

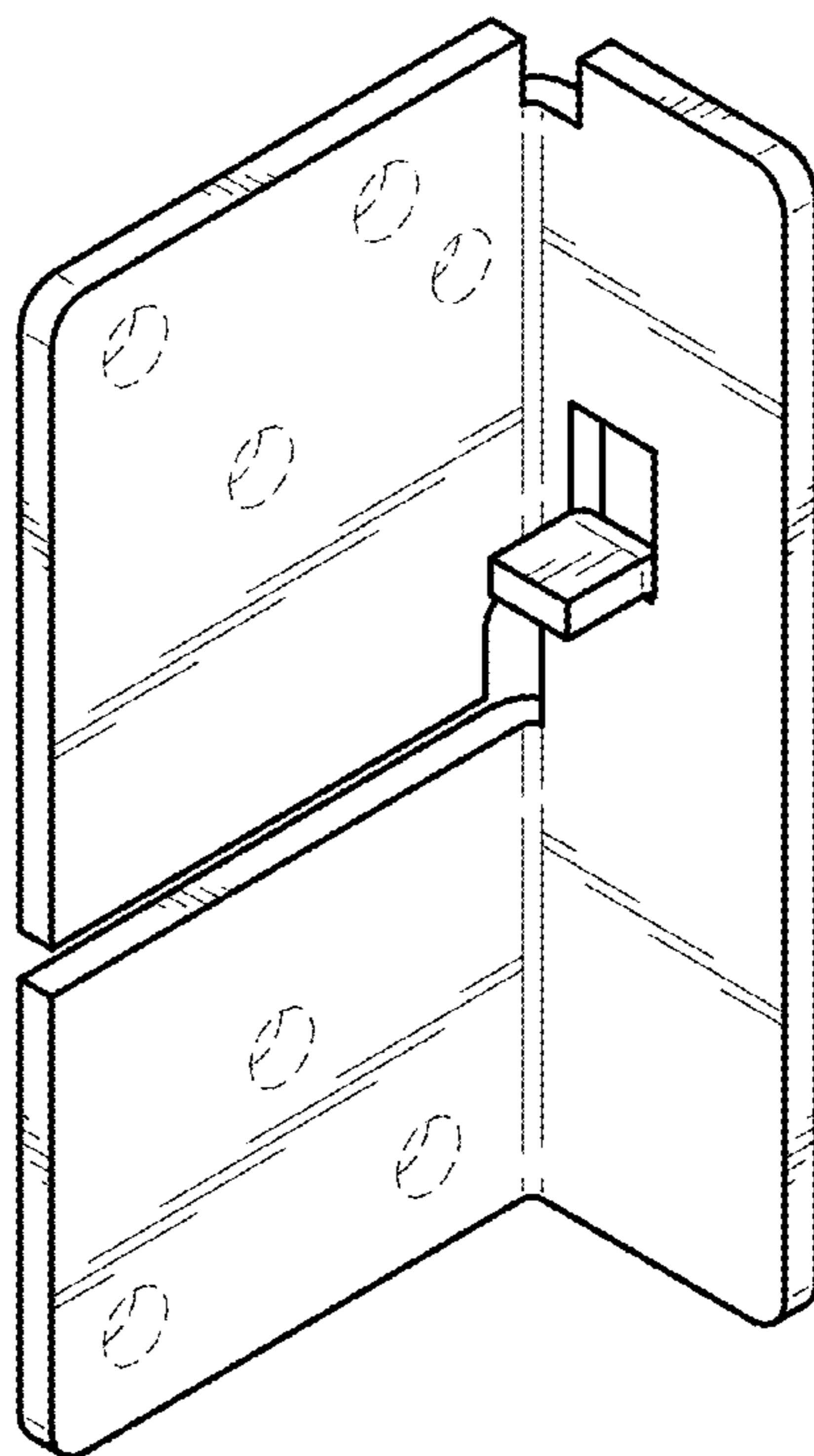


FIG. 1

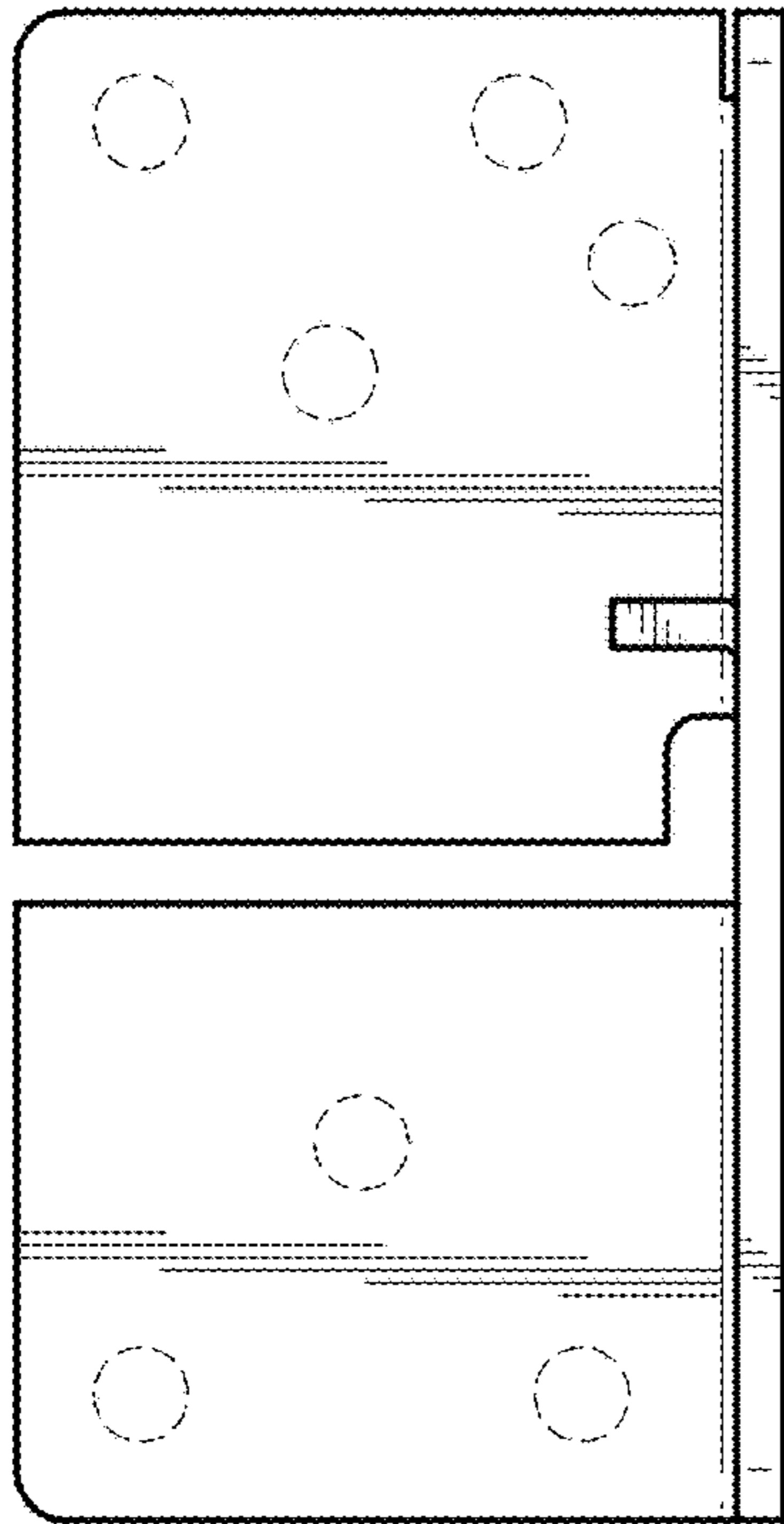


FIG. 2

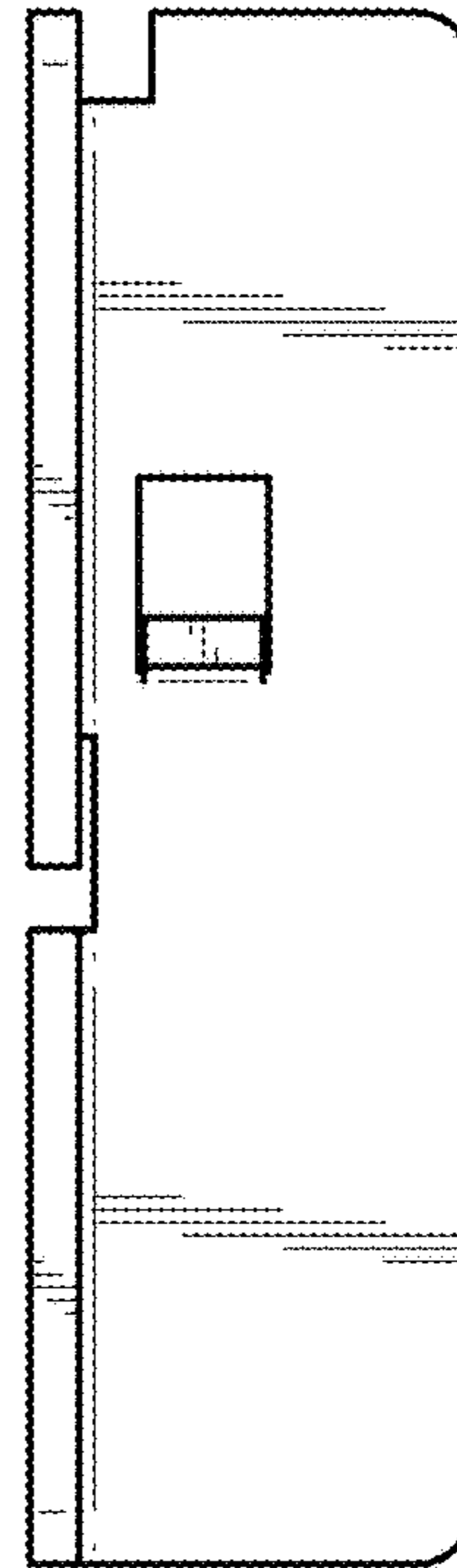


FIG. 3

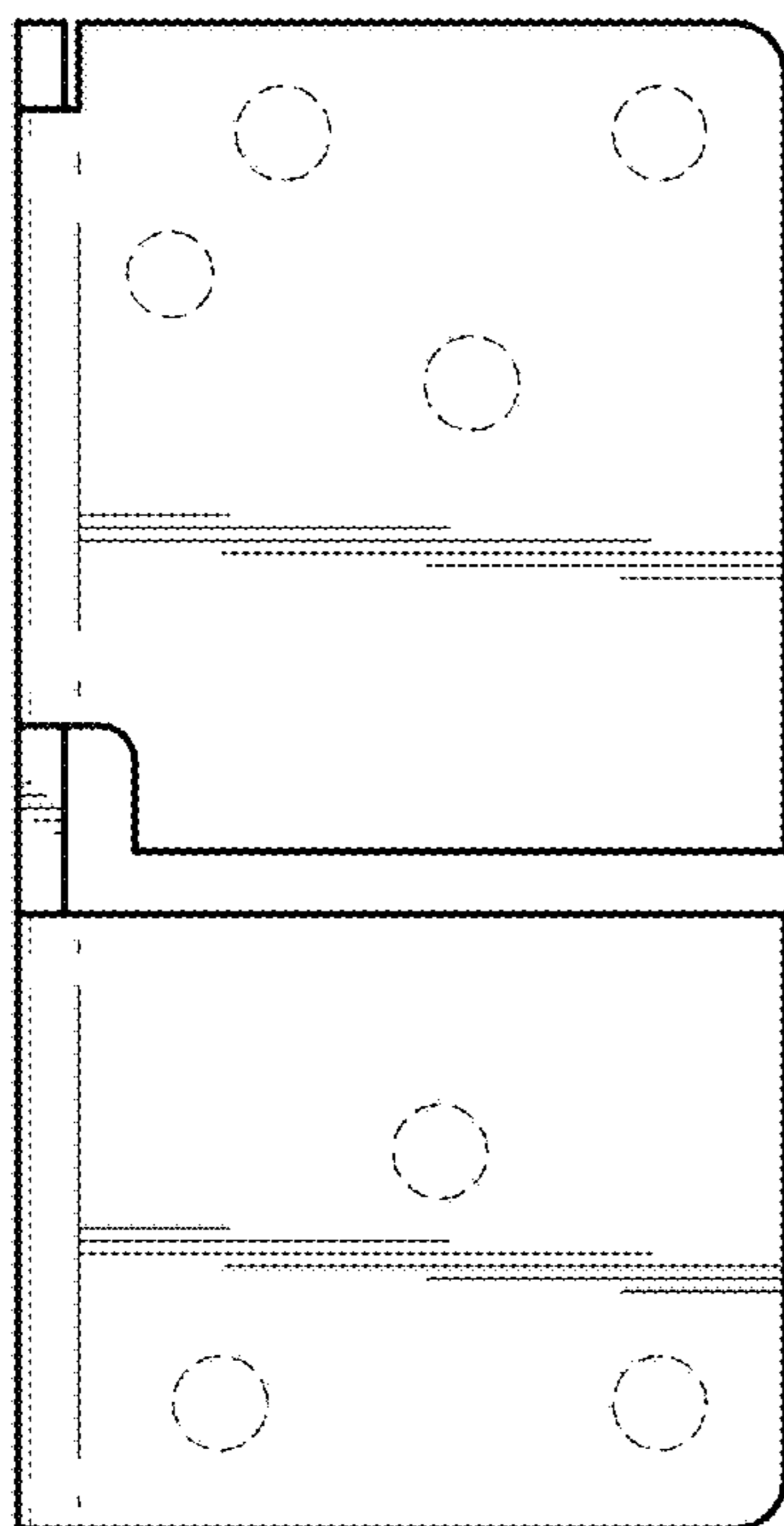


FIG. 4

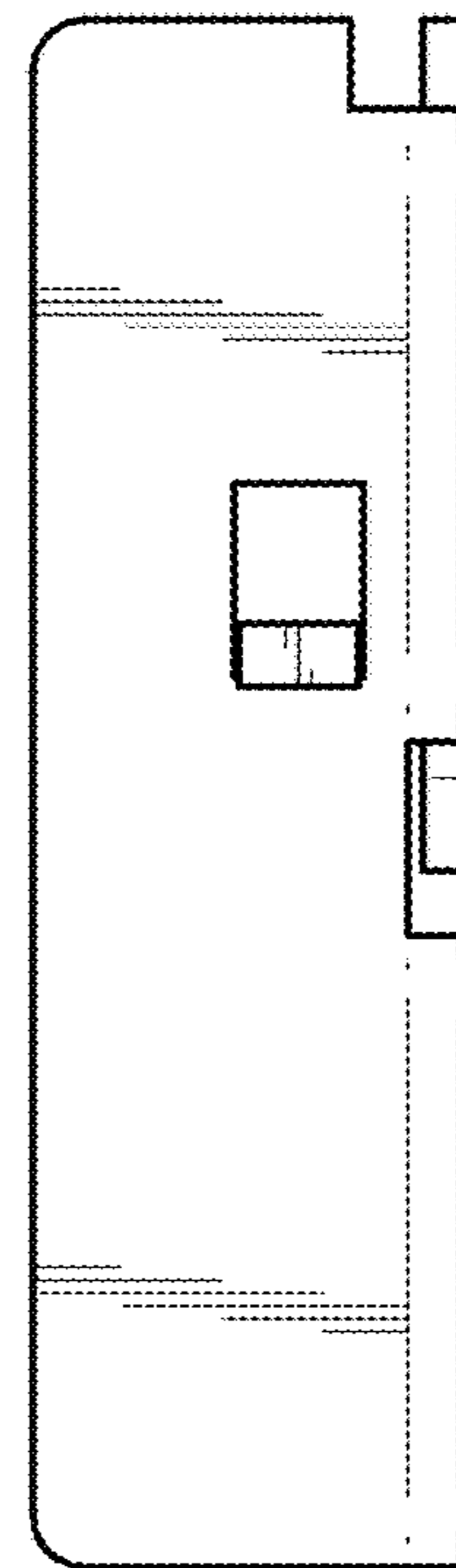


FIG. 5

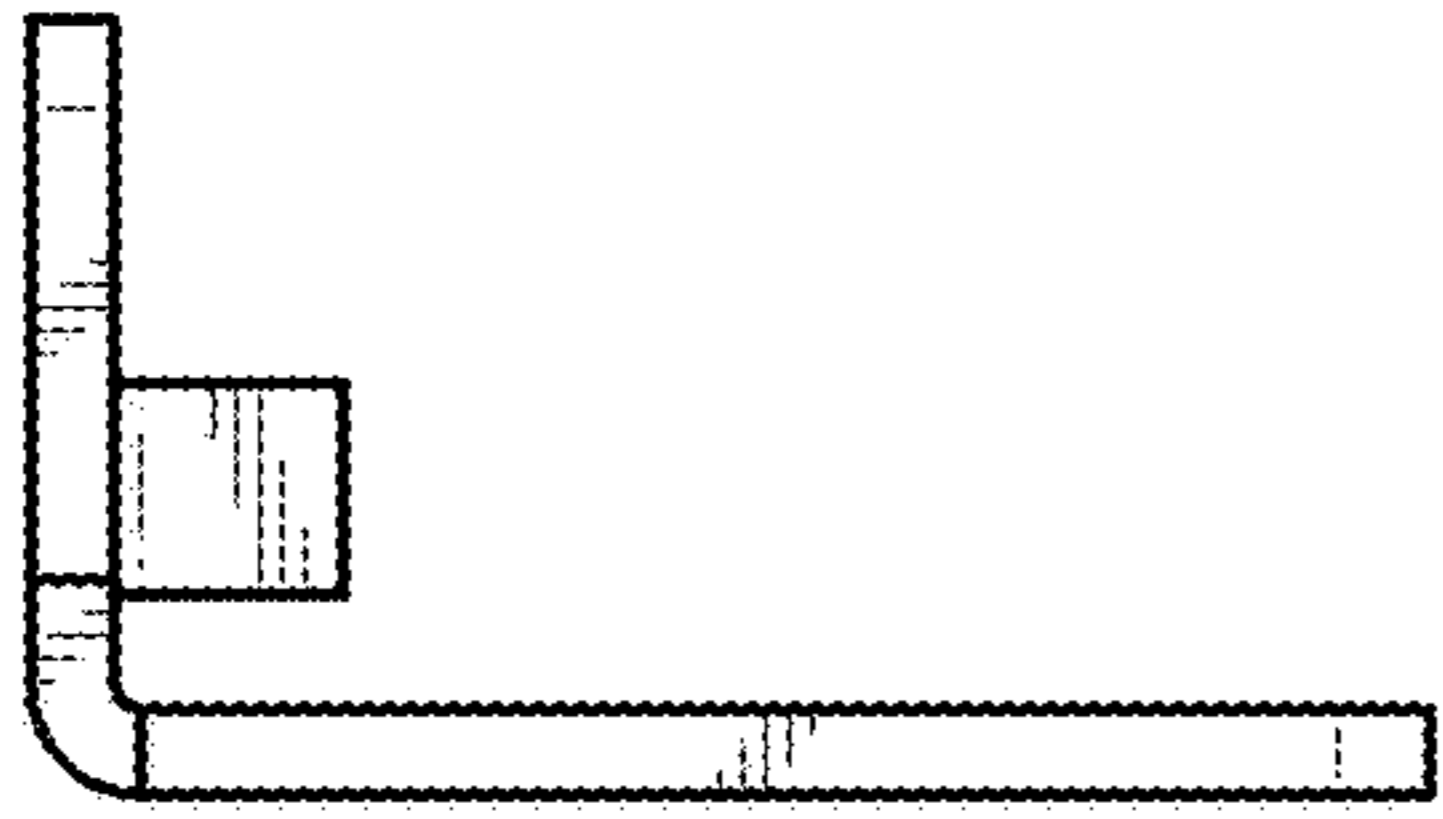


FIG. 6

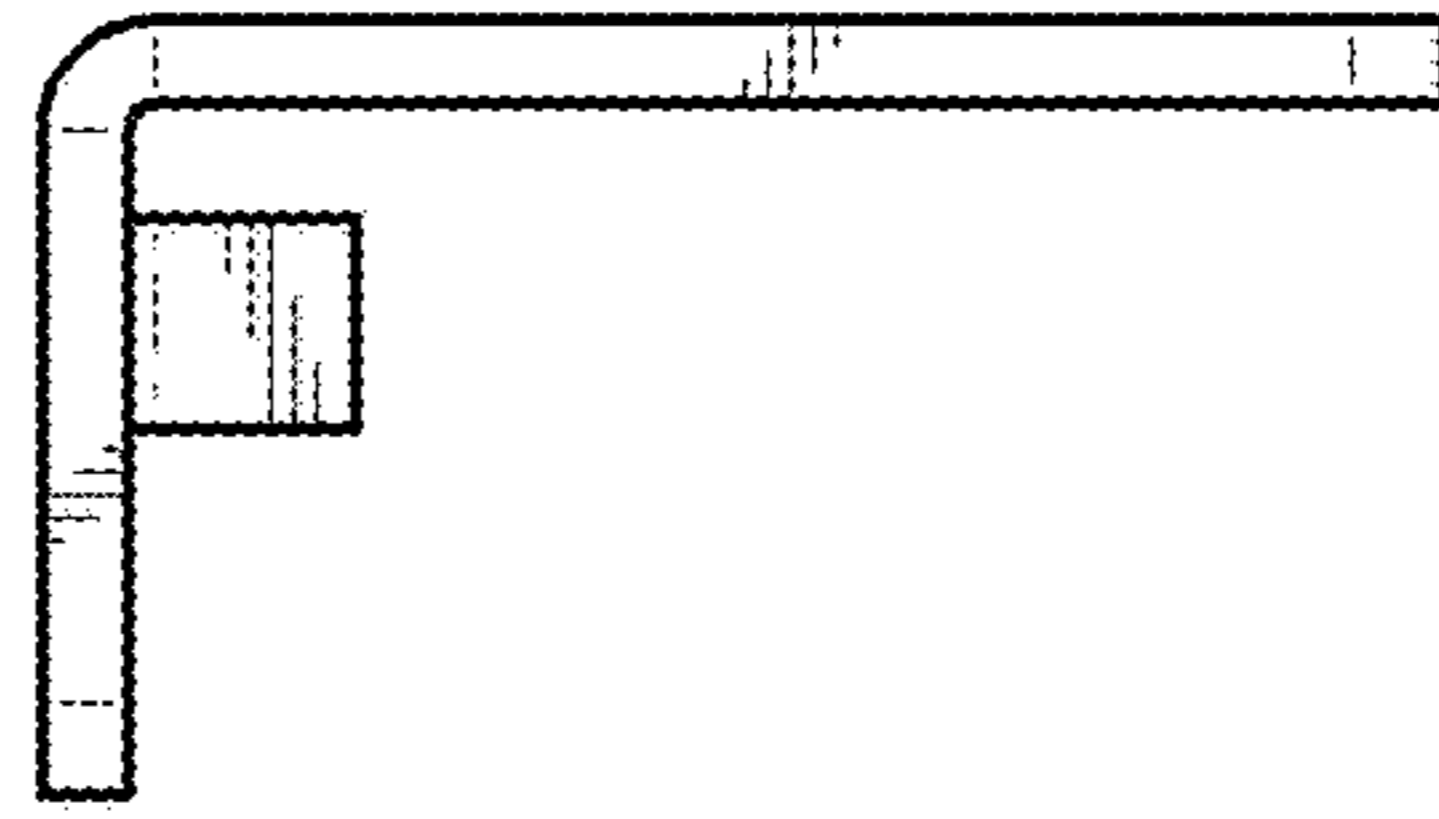


FIG. 7

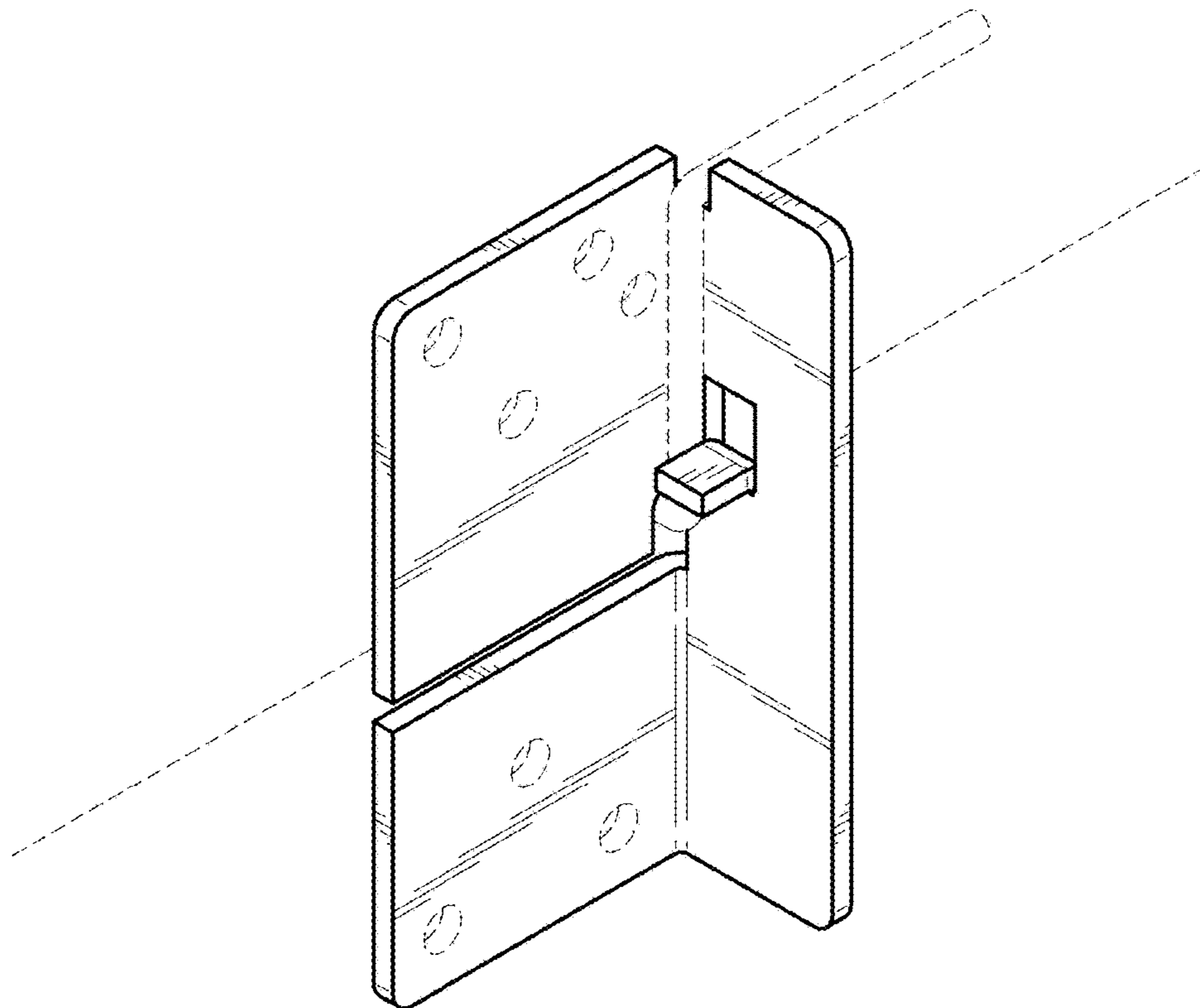


FIG. 8