



US00D798136S

(12) **United States Design Patent**
Pittman

(10) **Patent No.:** **US D798,136 S**

(45) **Date of Patent:** **** Sep. 26, 2017**

(54) **HANGER CLIP FOR STAIRWAY SPINDLES AND BALUSTERS**

(71) Applicant: **Craig Allen Pittman**, Bellevue, WA (US)

(72) Inventor: **Craig Allen Pittman**, Bellevue, WA (US)

(**) Term: **15 Years**

(21) Appl. No.: **29/620,058**

(22) Filed: **Jun. 10, 2016**

(51) **LOC (10) Cl.** **08-08**

(52) **U.S. Cl.**
USPC **D8/382; D8/394**

(58) **Field of Classification Search**

USPC D8/14, 71, 72, 349, 354, 363, 373, 380, D8/382, 394, 396, 499; D25/62, 68
CPC E04F 11/1802; E04F 11/1804; E04F 2011/1806; E04F 11/1808; E04F 11/1812; E04F 11/1817; E04F 11/1836; E04H 17/24

See application file for complete search history.

(56) **References Cited**

U.S. PATENT DOCUMENTS

3,313,009 A * 4/1967 Beckerer F16L 3/13 248/74.2
3,540,687 A * 11/1970 Cuva F21V 19/0005 248/223.41
D224,085 S * 7/1972 Cuva D13/132
(Continued)

FOREIGN PATENT DOCUMENTS

GB 2035376 4/1994
KR 300683651.0000 3/2013

Primary Examiner — Sandra Snapp

Assistant Examiner — Ieisha Price

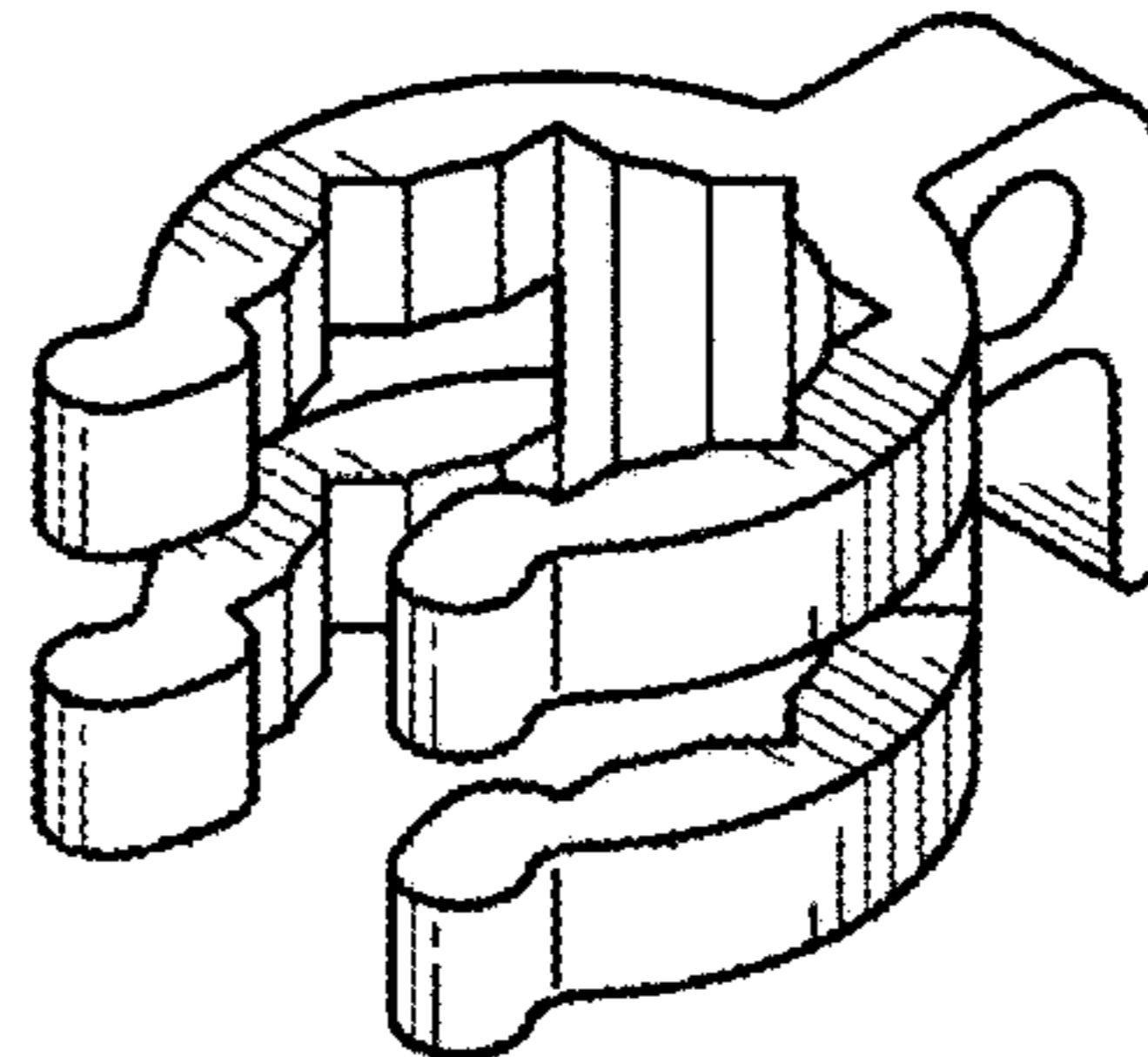
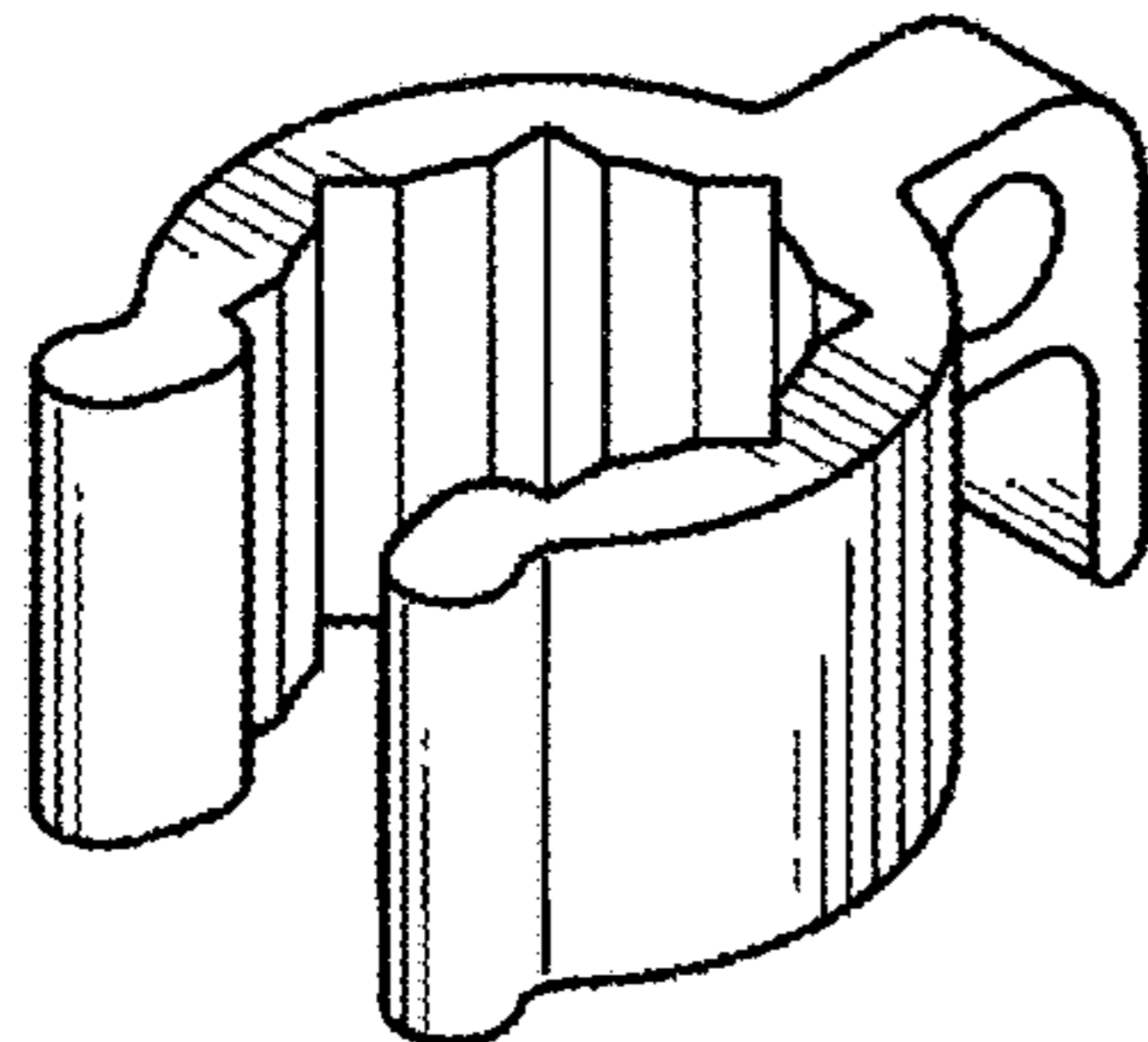
(57) **CLAIM**

The ornamental design for a hanger clip for stairway spindles & balusters, as shown and described.

DESCRIPTION

FIG. 1 is a front, right perspective view of the first embodiment of a hanger clip for stairway spindles & balusters; FIG. 2 is a rear, right perspective view thereof; FIG. 3 is a top view thereof; FIG. 4 is a left side view thereof; FIG. 5 is a front view thereof; FIG. 6 is a right side view thereof; FIG. 7 is a bottom view thereof; FIG. 8 is a back view thereof; FIG. 9 is an environmental front, right perspective view of the hanger clip for stairway spindles & balusters thereof; FIG. 10 is an alternate environmental front, right perspective view of the hanger clip for stairway spindles & balusters thereof; FIG. 11 is a front, right perspective view of the second embodiment of a hanger clip for stairway spindles & balusters; FIG. 12 is a rear, right perspective view thereof; FIG. 13 is a top view thereof; FIG. 14 is a left side view thereof; FIG. 15 is a front view thereof; FIG. 16 is a right side view thereof; FIG. 17 is a bottom view thereof; FIG. 18 is a back view thereof; FIG. 19 is an environmental front, right perspective view of the hanger clip for stairway spindles & balusters thereof; and, FIG. 20 is an alternate environmental front, right perspective view of the hanger clip for stairway spindles & balusters thereof. The broken lines rendered in FIGS. 9, 10, 19 and 20 illustrates the environment of the claimed design and forms no part thereof.

1 Claim, 6 Drawing Sheets



(56)

References Cited

U.S. PATENT DOCUMENTS

D227,742 S *	7/1973	Logdson	D8/354	D476,569 S *	7/2003	Simkins	D9/455
D248,347 S *	7/1978	McCollum	D22/147	D477,770 S	7/2003	Baker	
D295,723 S *	5/1988	Shioda	D8/380	6,715,725 B2	4/2004	Chipka	
D299,213 S *	1/1989	Puntillo	D8/395	6,898,893 B1	5/2005	Mukdaprakorn	
5,160,105 A *	11/1992	Miller	A47C 7/002	D512,287 S	12/2005	Li	
			248/188.9	6,971,381 B2 *	12/2005	Langford	A61M 15/009
							128/200.23
5,498,088 A	3/1996	Choate		D548,599 S	8/2007	Blasko	
D375,453 S *	11/1996	Fleck	D8/395	7,448,590 B1	11/2008	Holton	
5,857,658 A	1/1999	Niemiec		7,740,216 B1	6/2010	Puckett	
D438,453 S *	3/2001	Nelson	D8/395	D622,469 S *	8/2010	Nacey	D32/54
6,237,888 B1	5/2001	Coll		8,336,837 B2	12/2012	Gephart	
D459,960 S	7/2002	Wei		D720,612 S *	1/2015	Gilbert	D8/394
D470,937 S	2/2003	Gary		D723,363 S	3/2015	Symons	
6,557,806 B2	5/2003	Davies		D742,399 S	11/2015	Hwang	
6,581,896 B1	6/2003	Olexovitch		D748,443 S	2/2016	Ou	
				D766,711 S *	9/2016	Babbage	D8/394
				D784,118 S *	4/2017	Reddy	D8/356

* cited by examiner

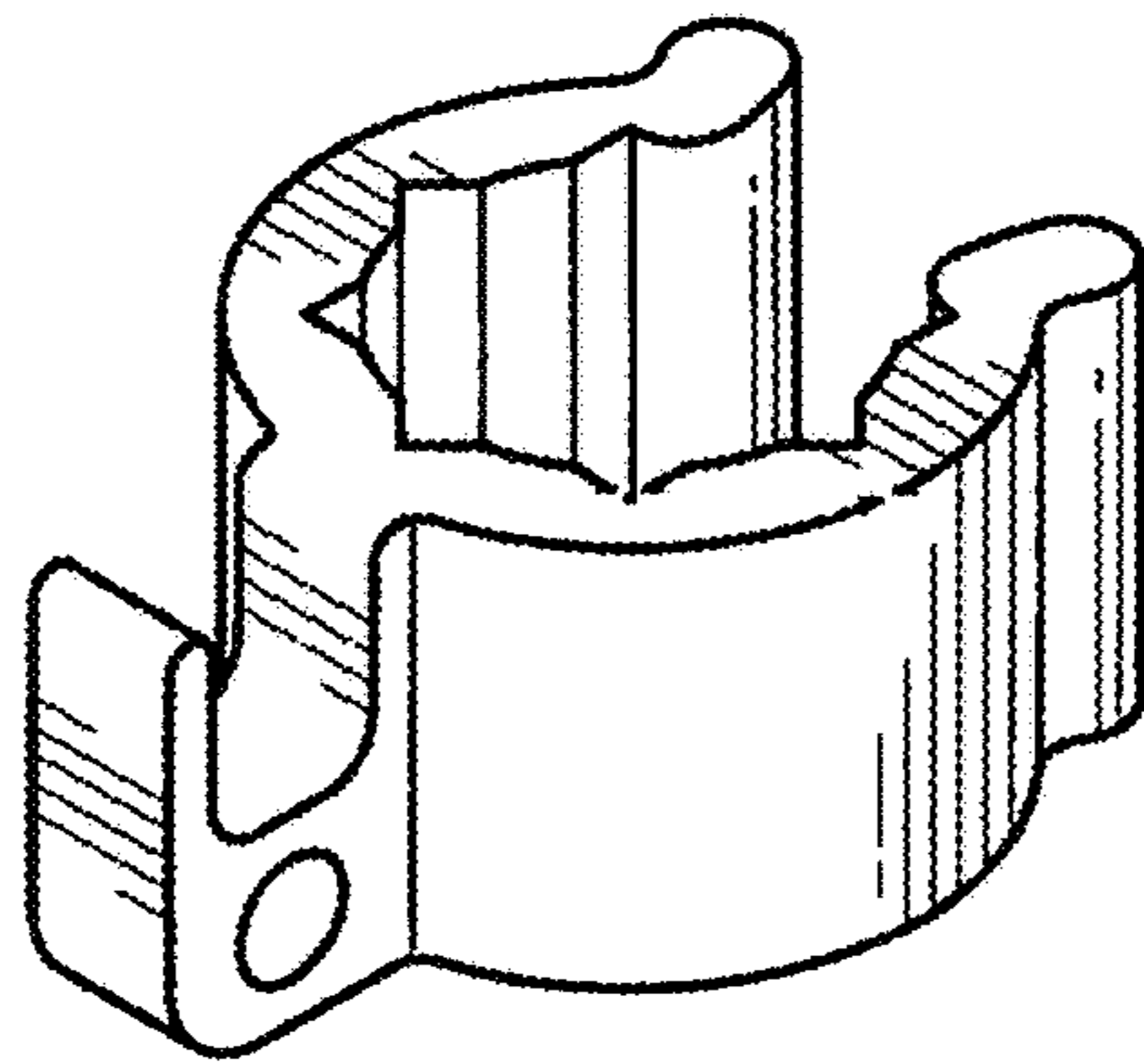


FIG. 1

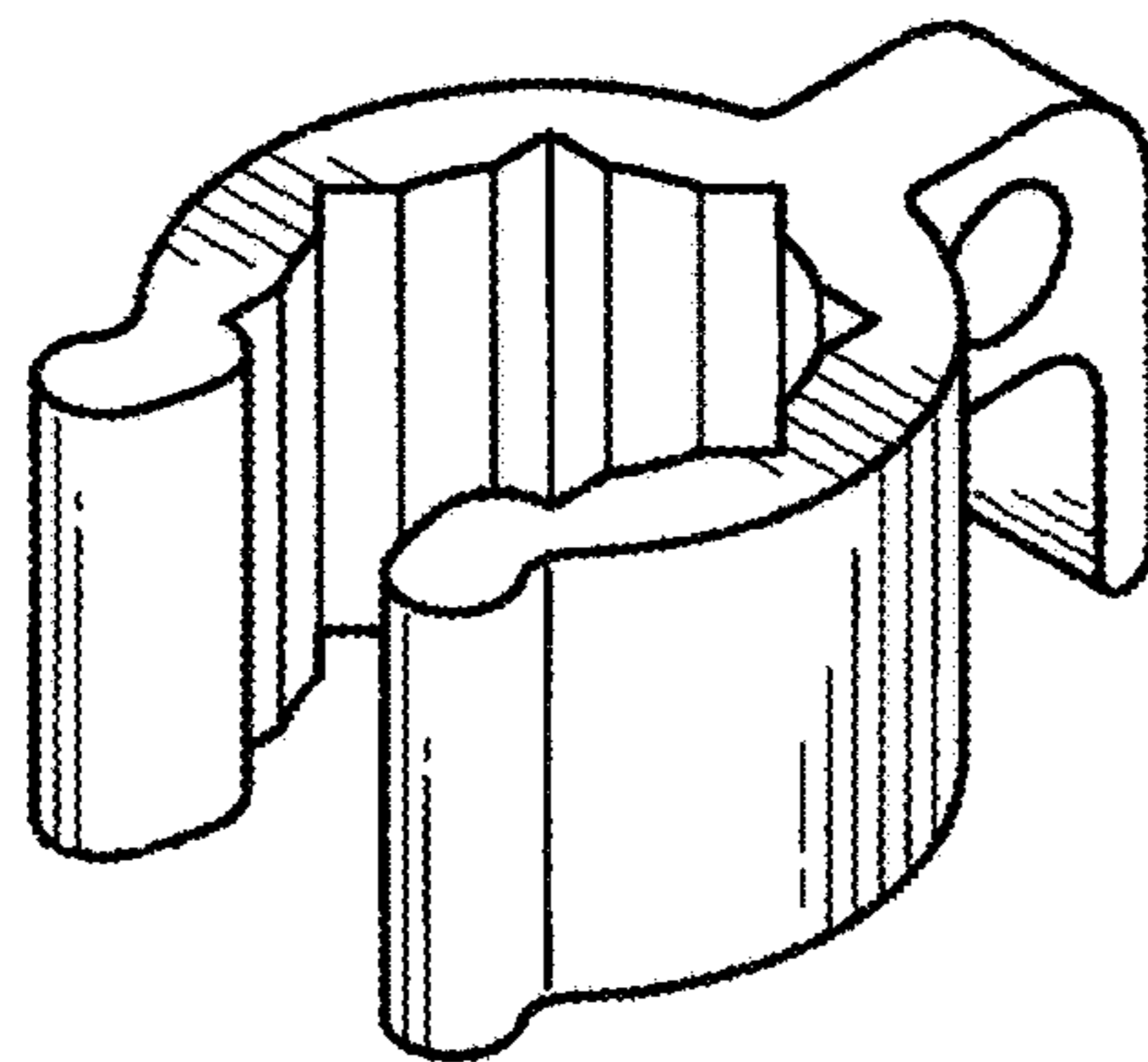


FIG. 2

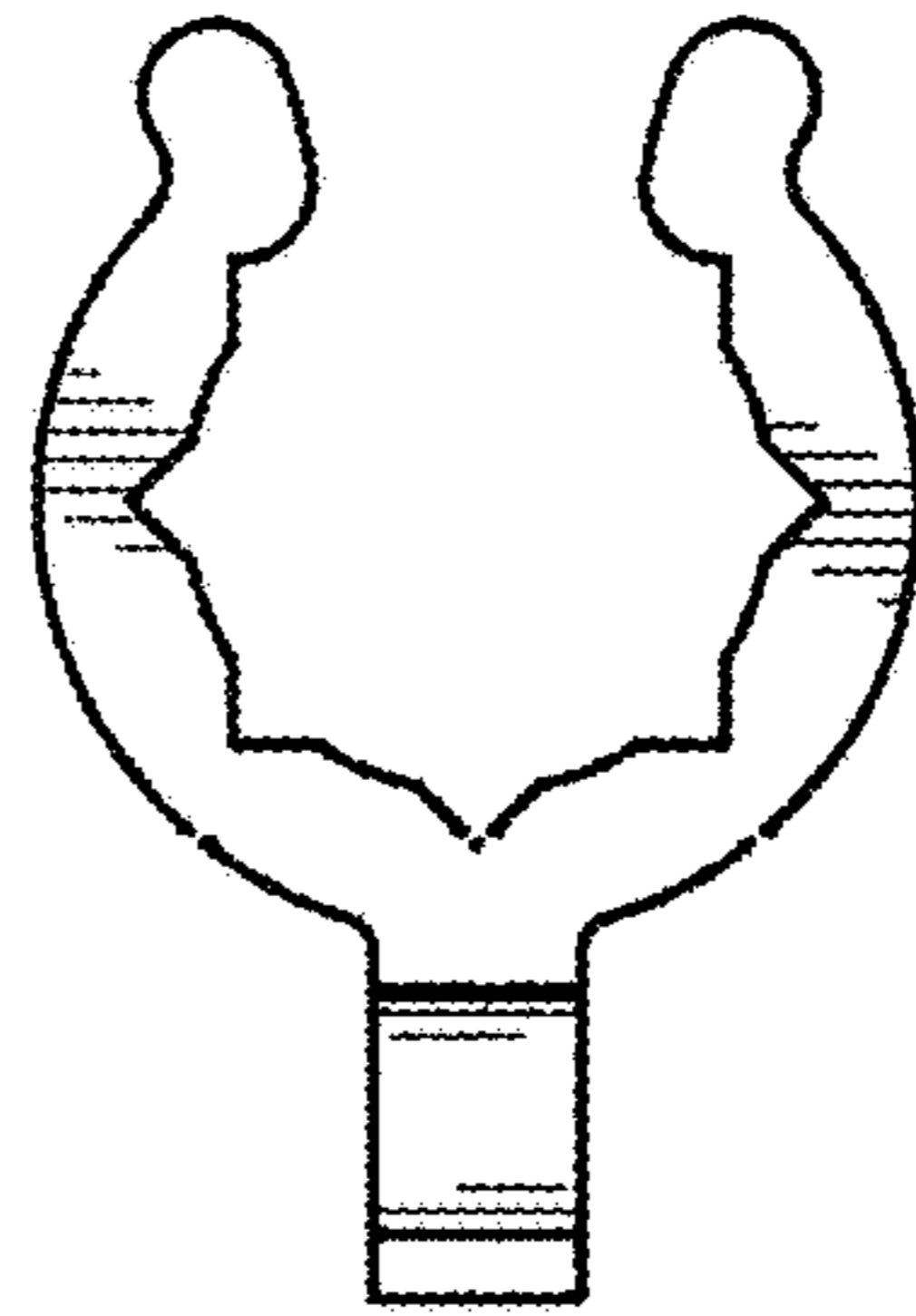


FIG. 3

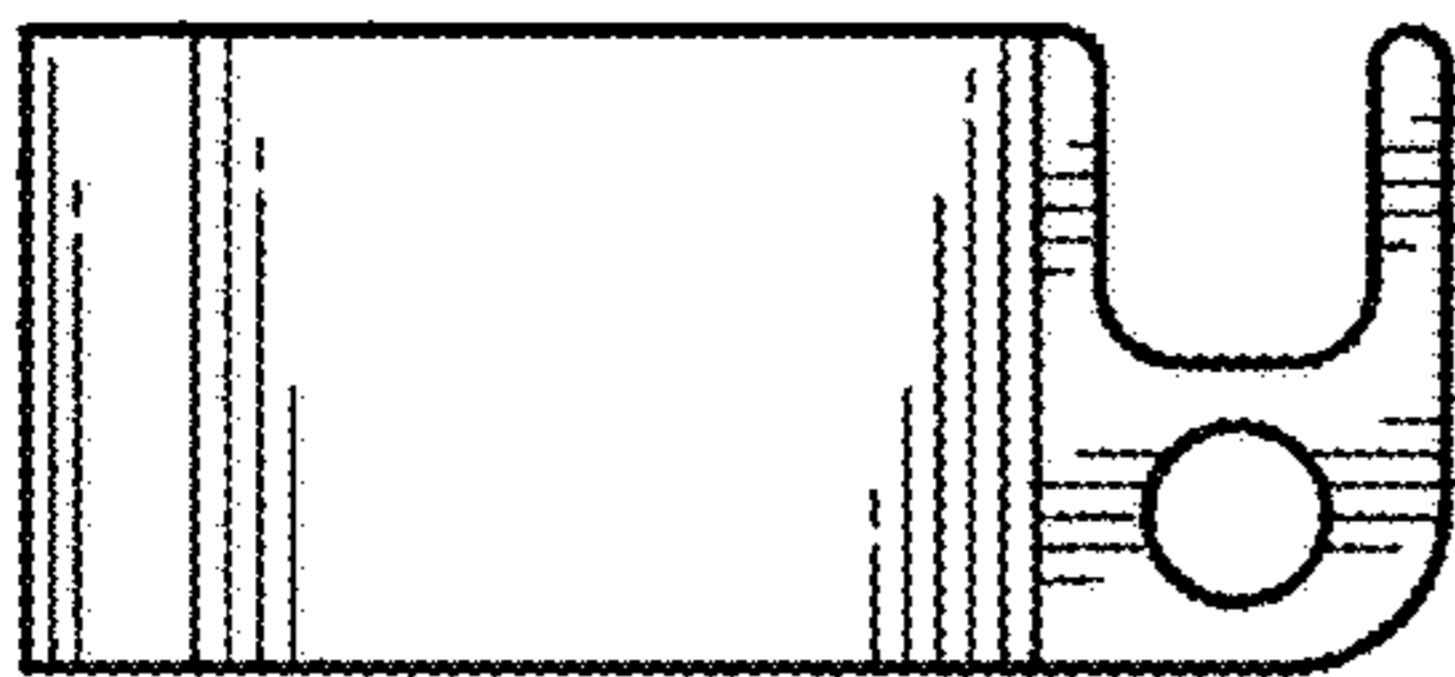


FIG. 4

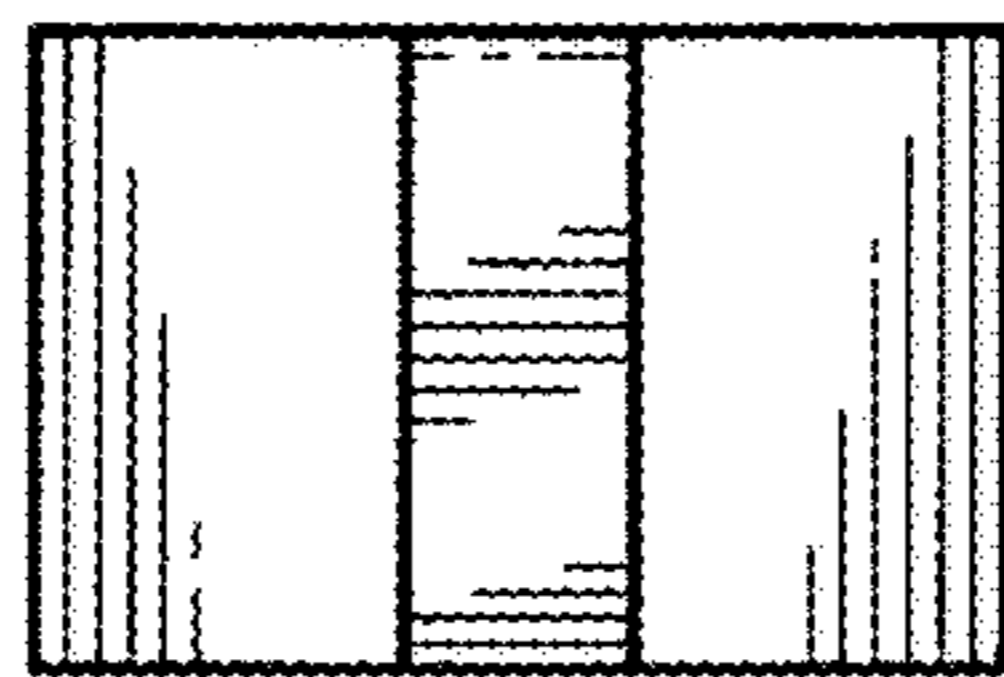


FIG. 5

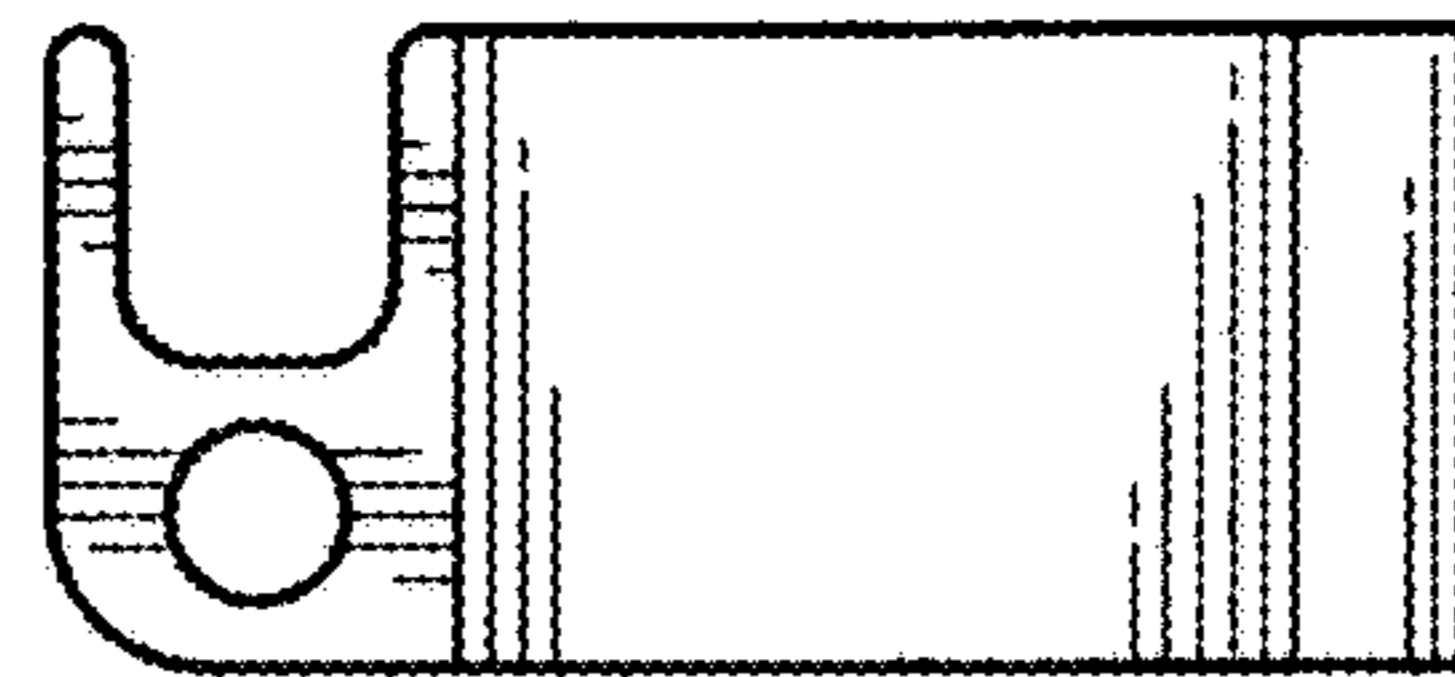


FIG. 6

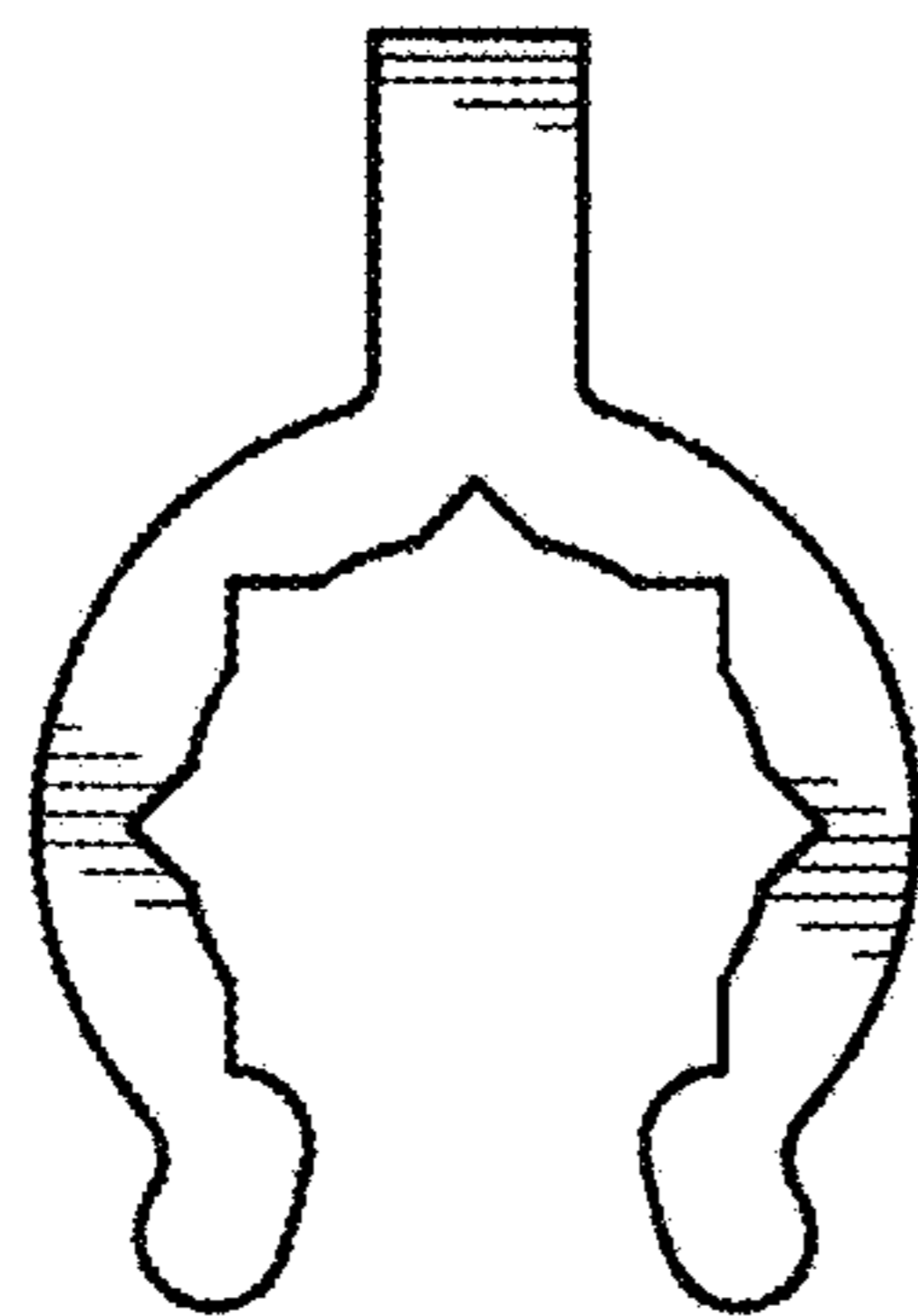


FIG. 7

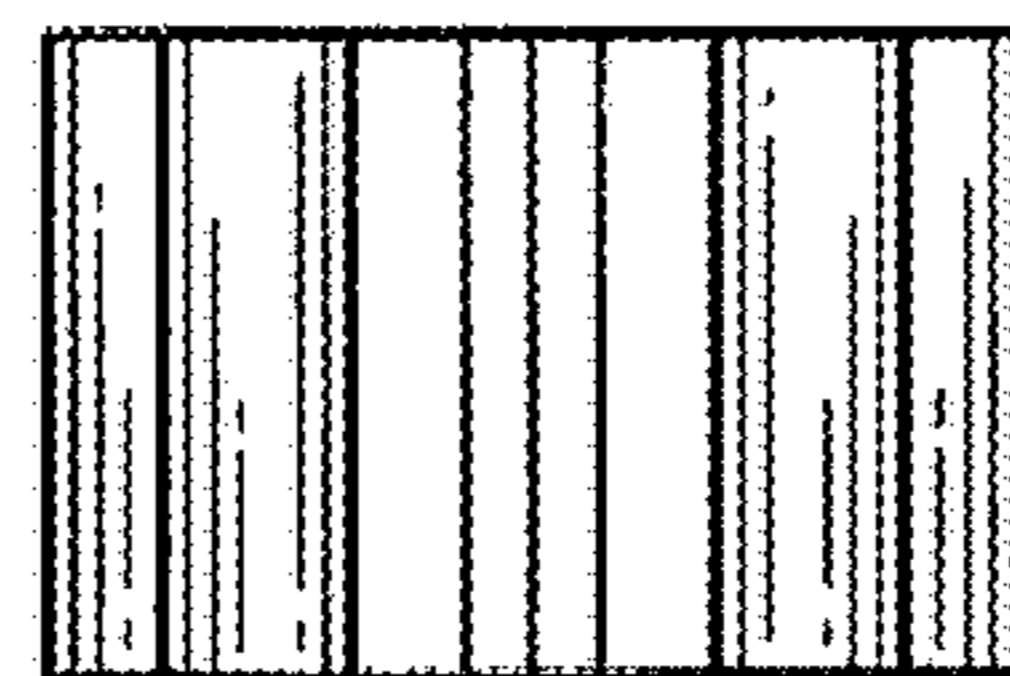


FIG. 8

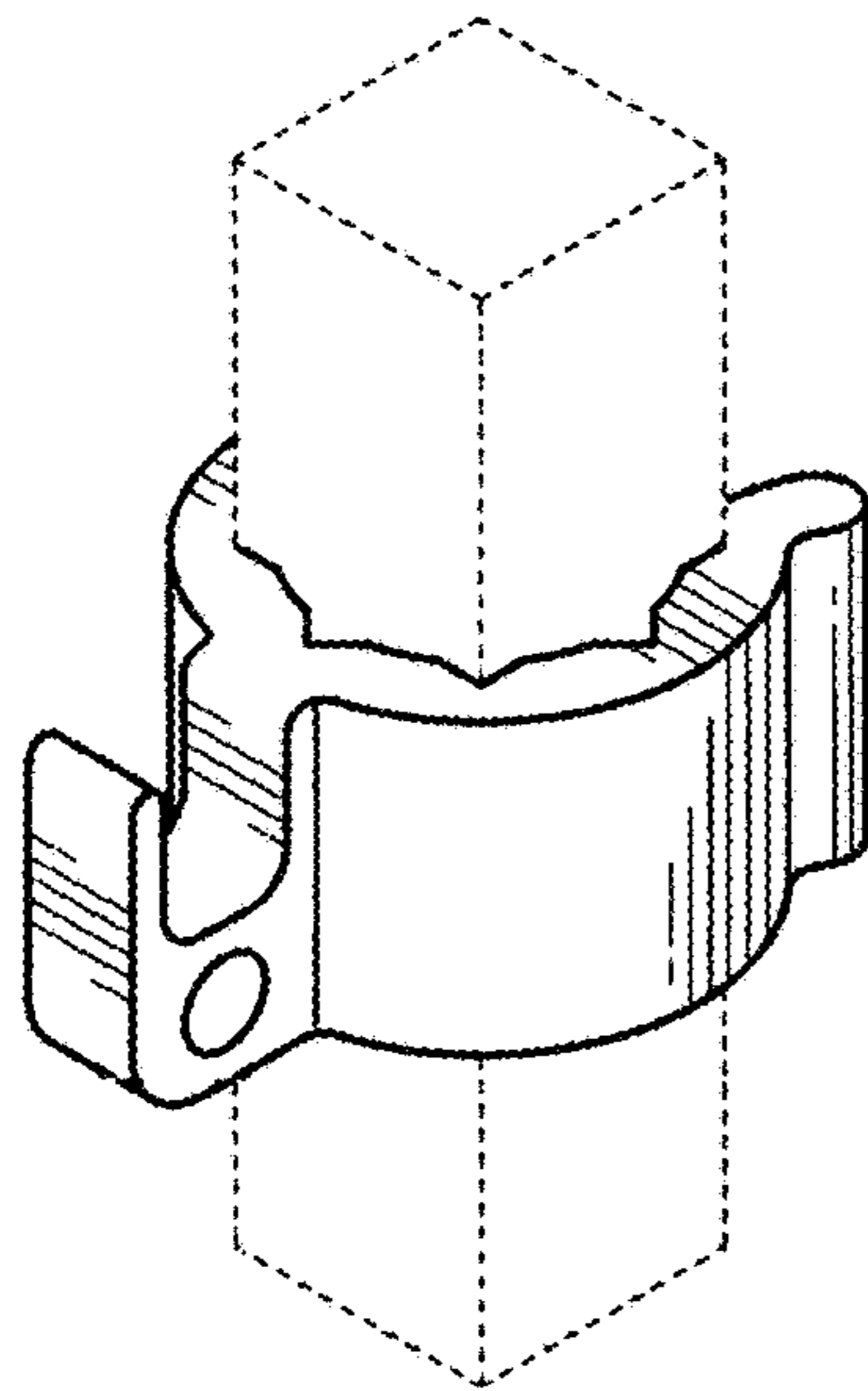


FIG. 9

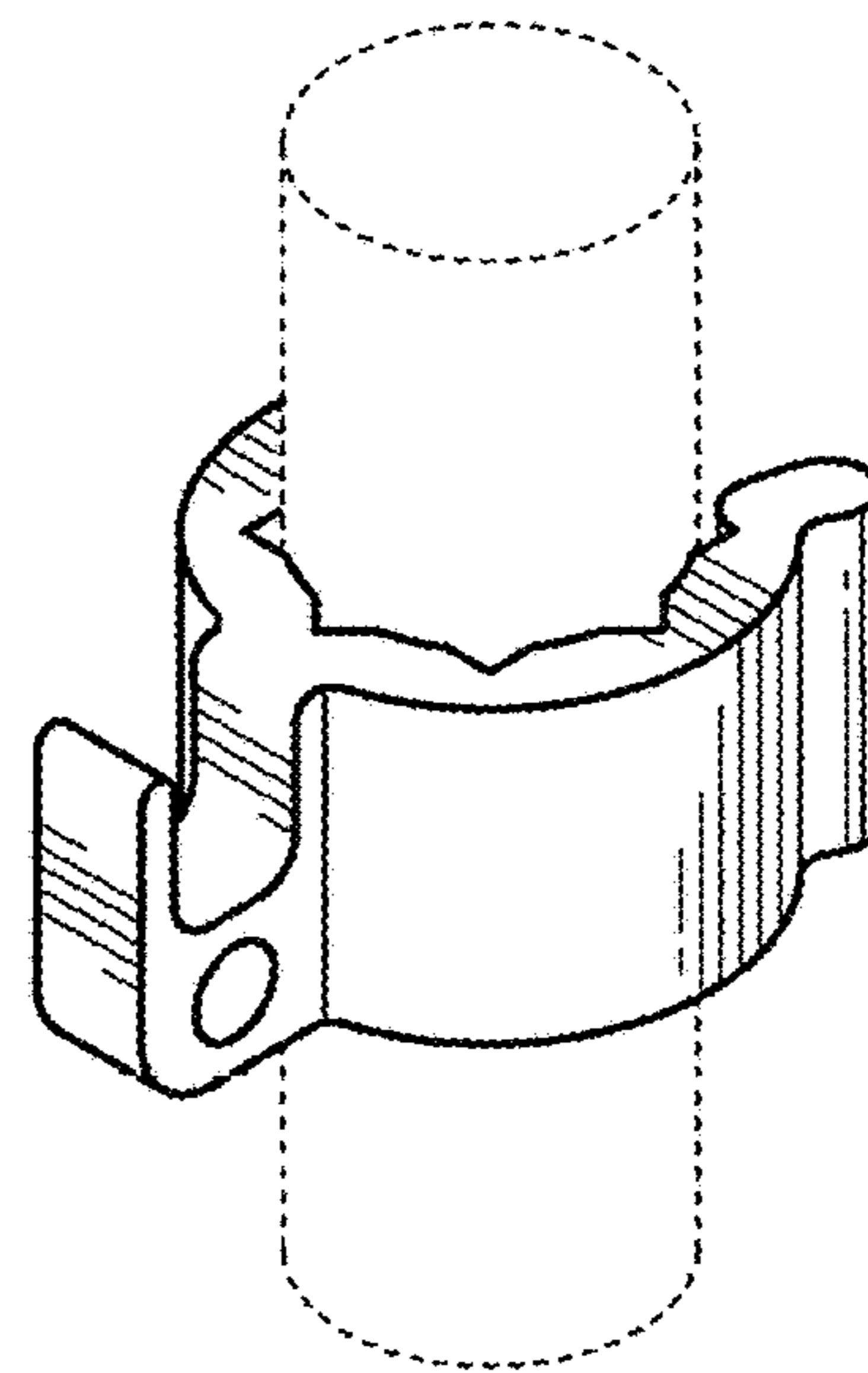


FIG. 10

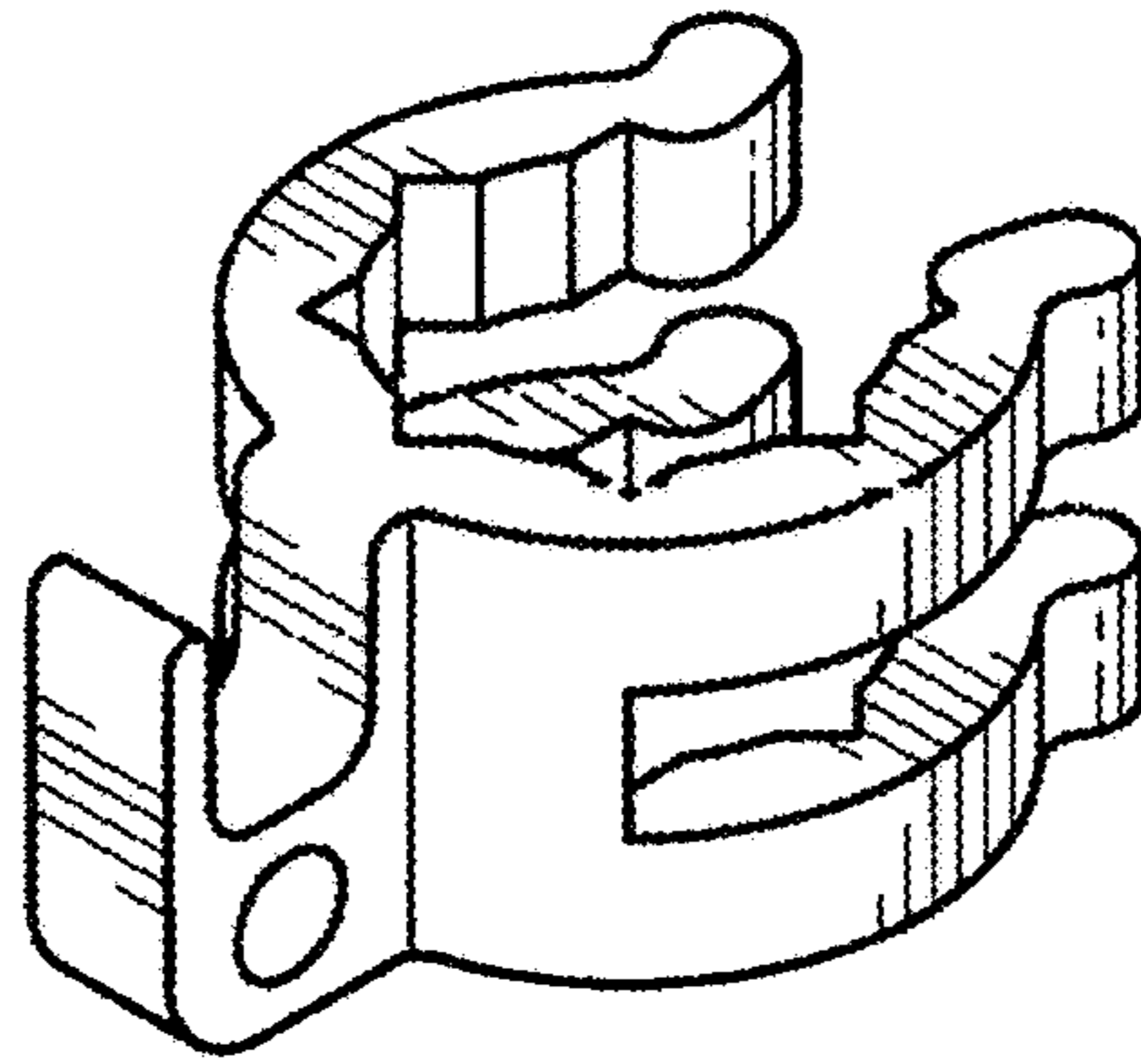


FIG. 11

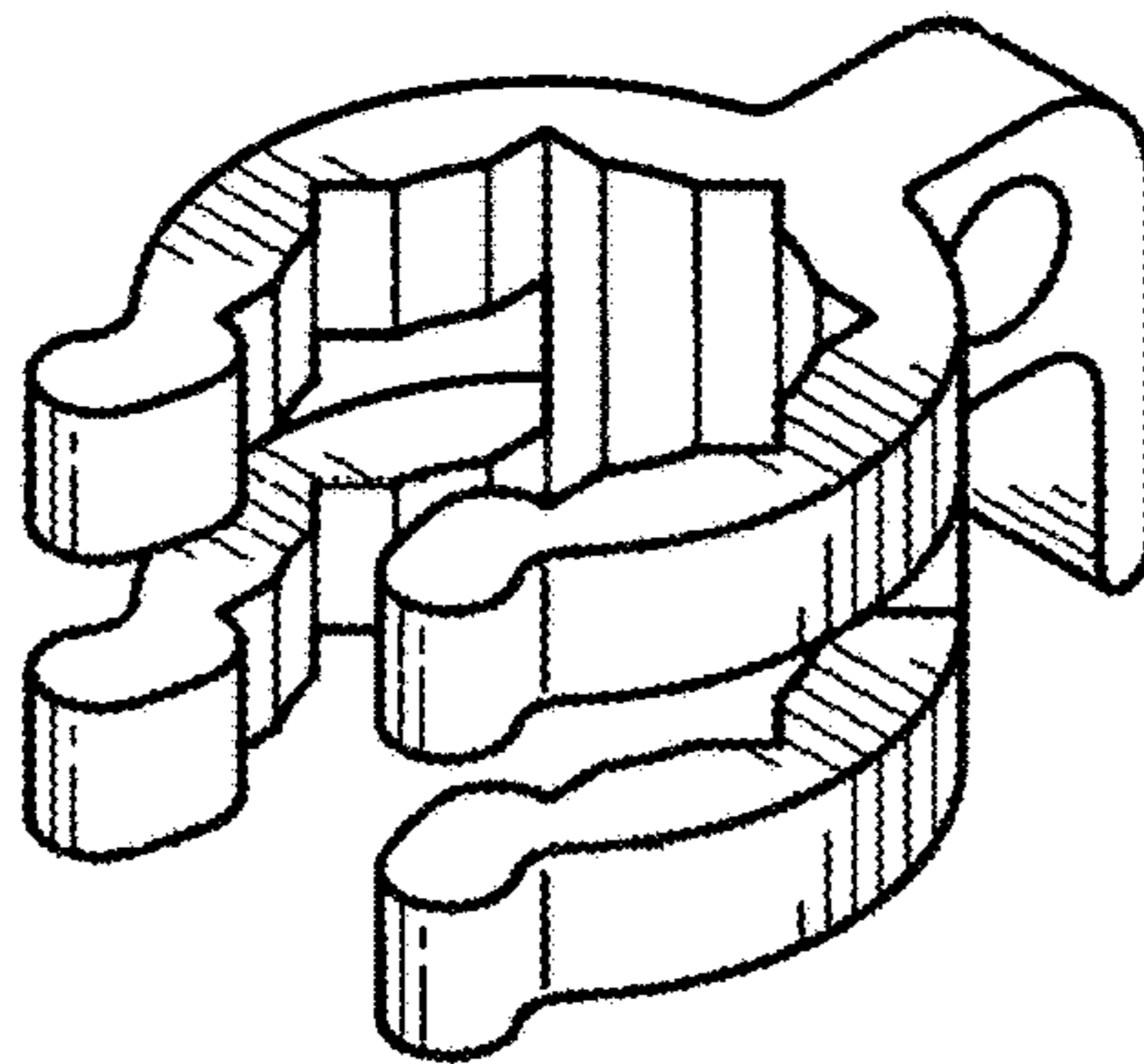


FIG. 12

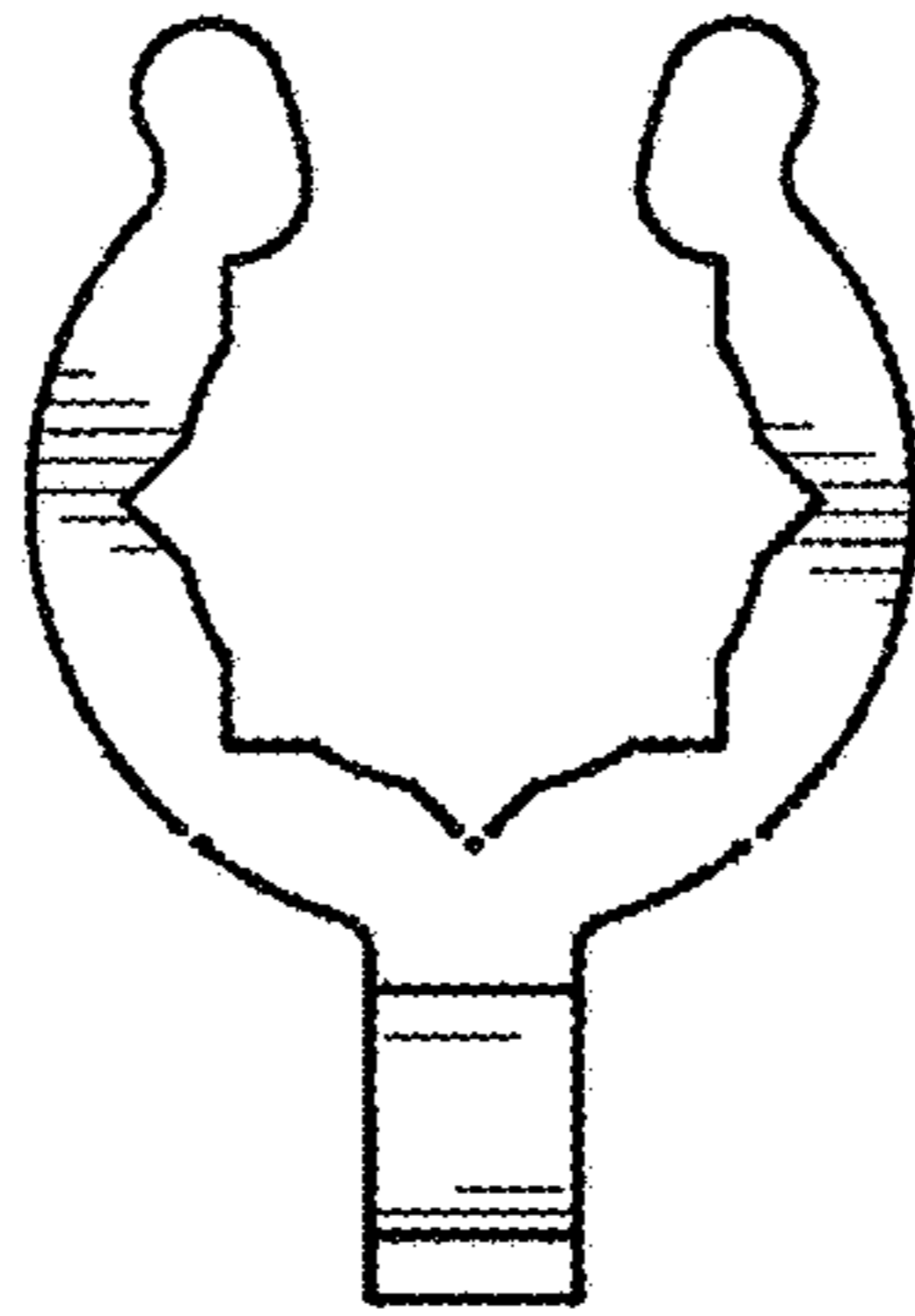


FIG. 13

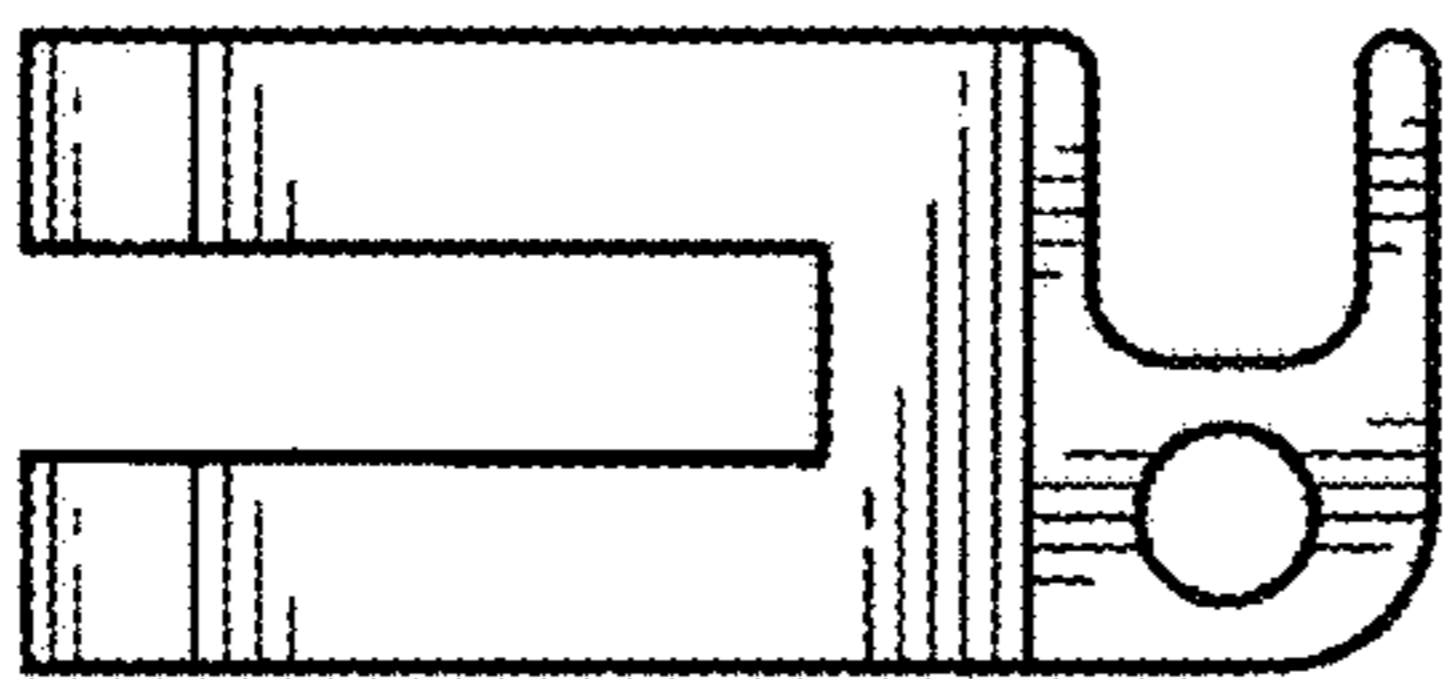


FIG. 14

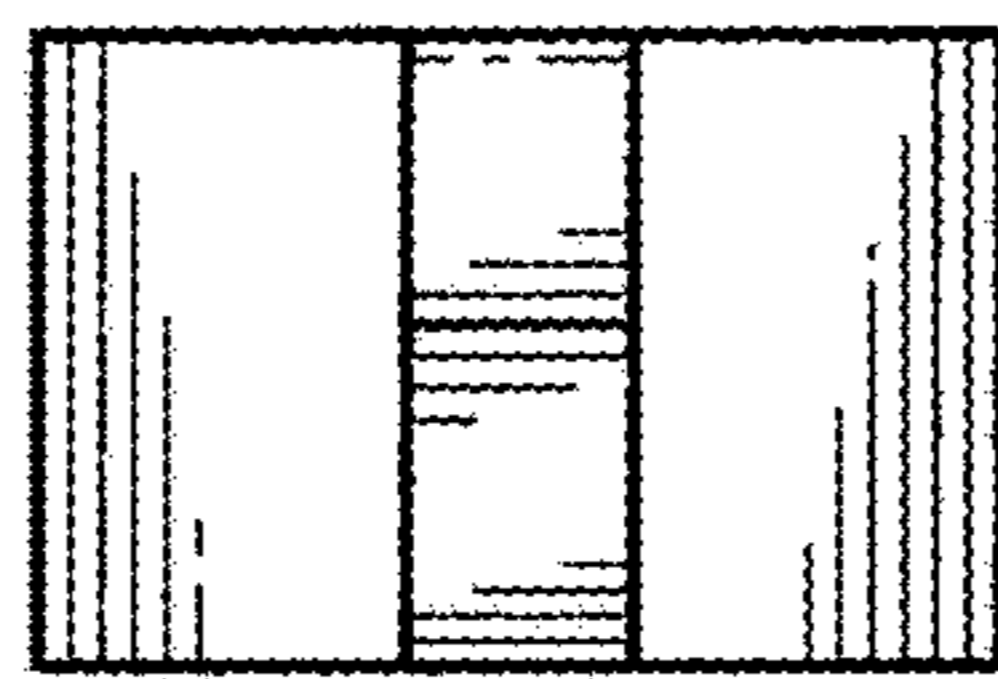


FIG. 15

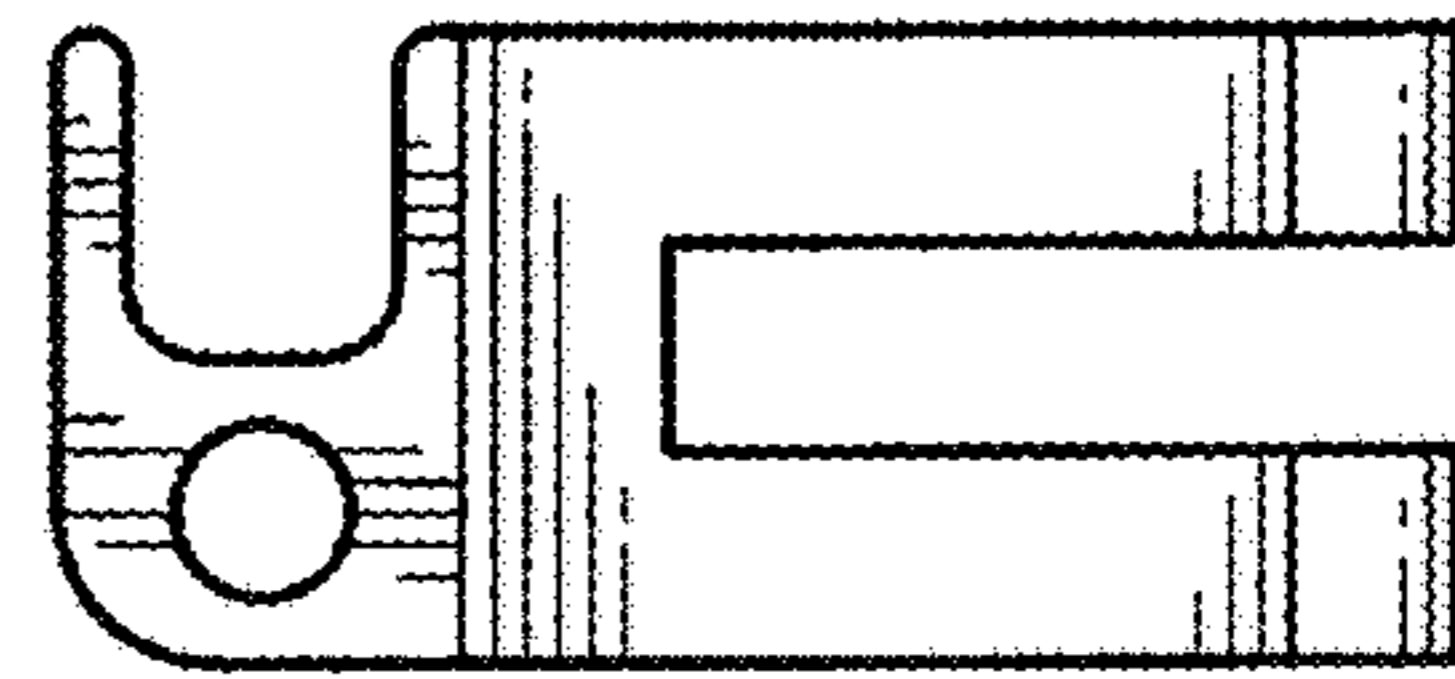


FIG. 16

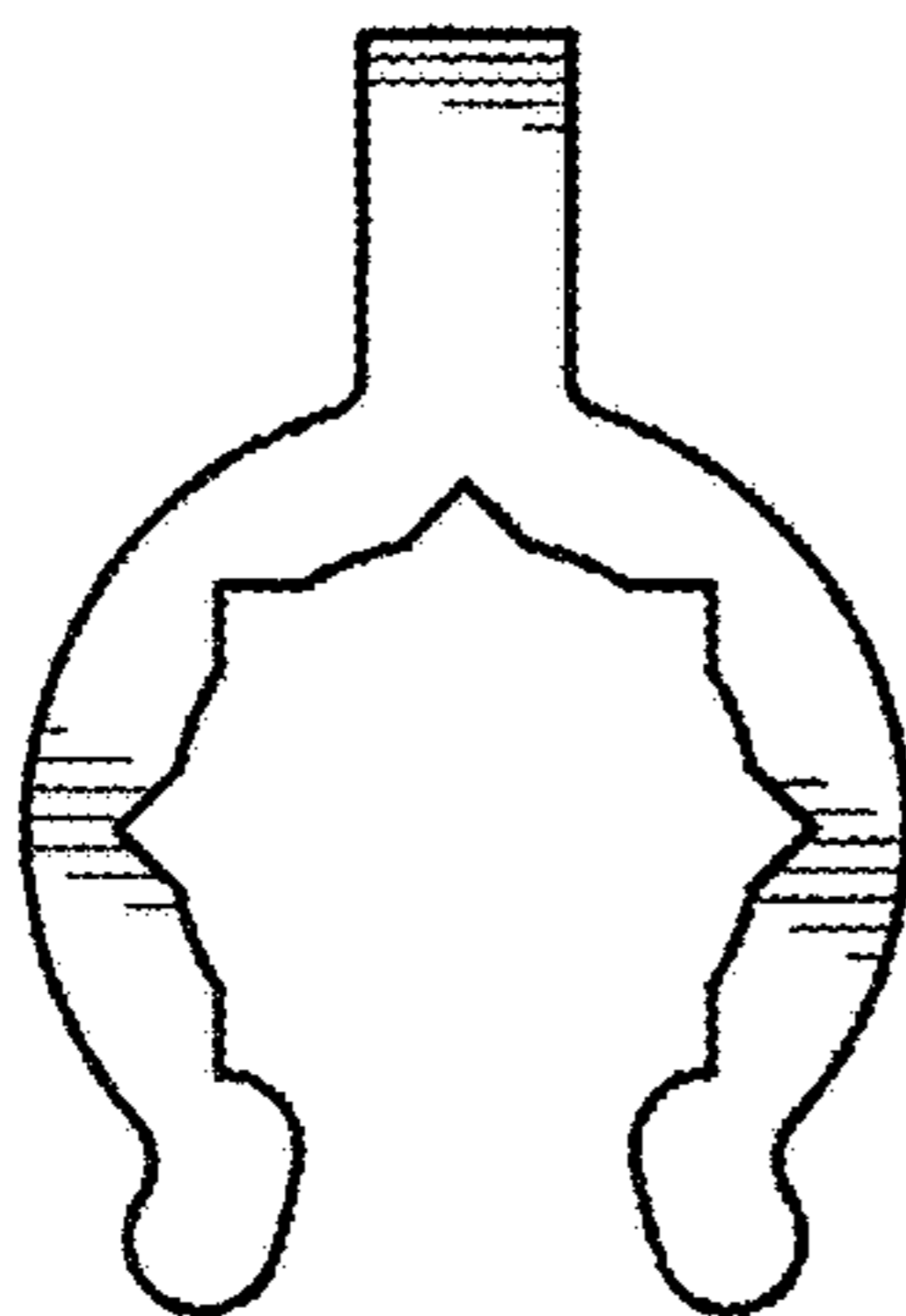


FIG. 17

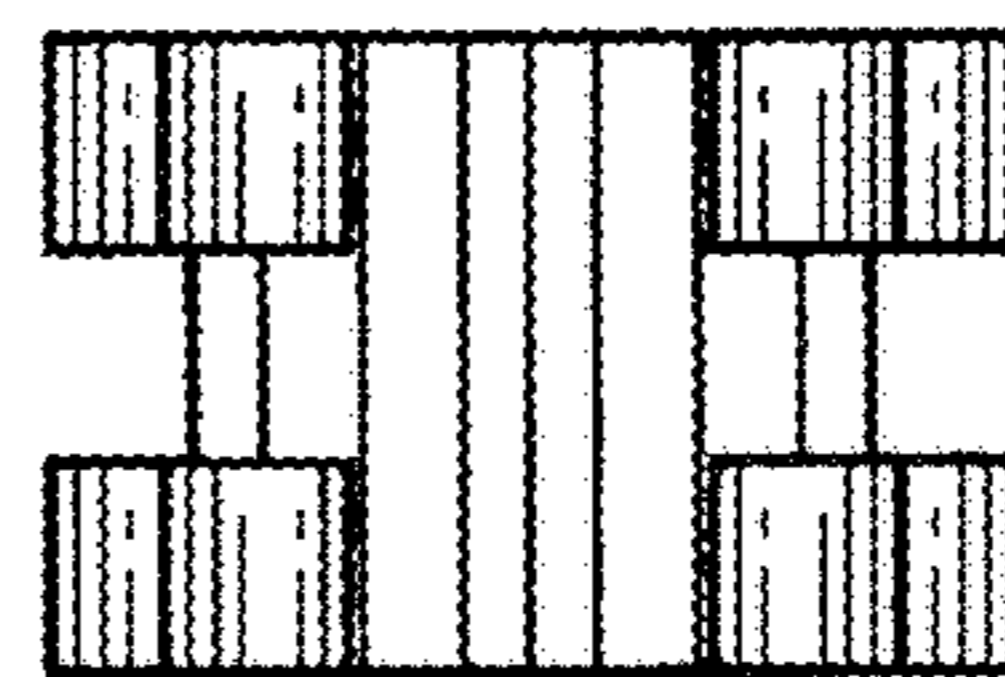


FIG. 18

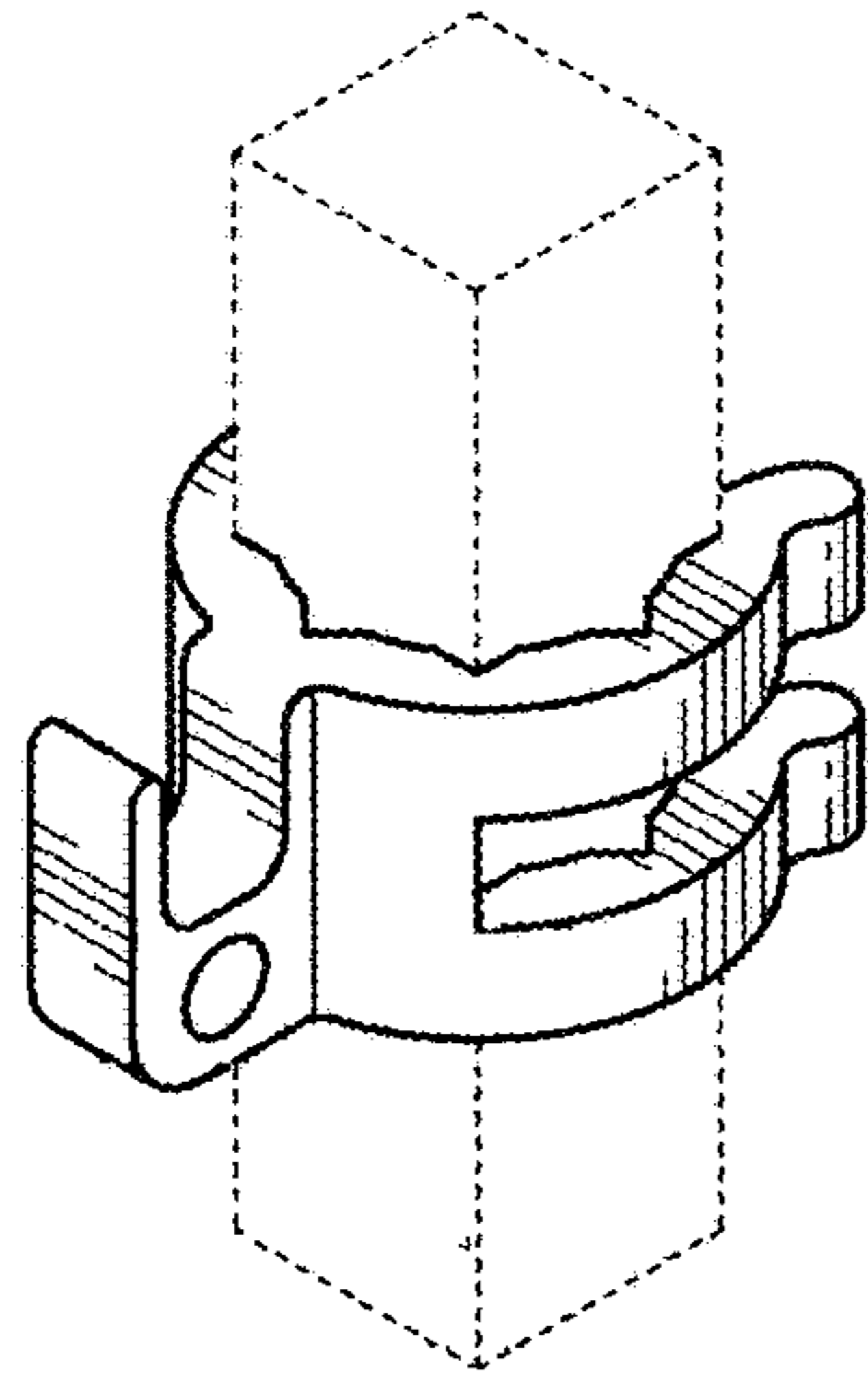


FIG. 19

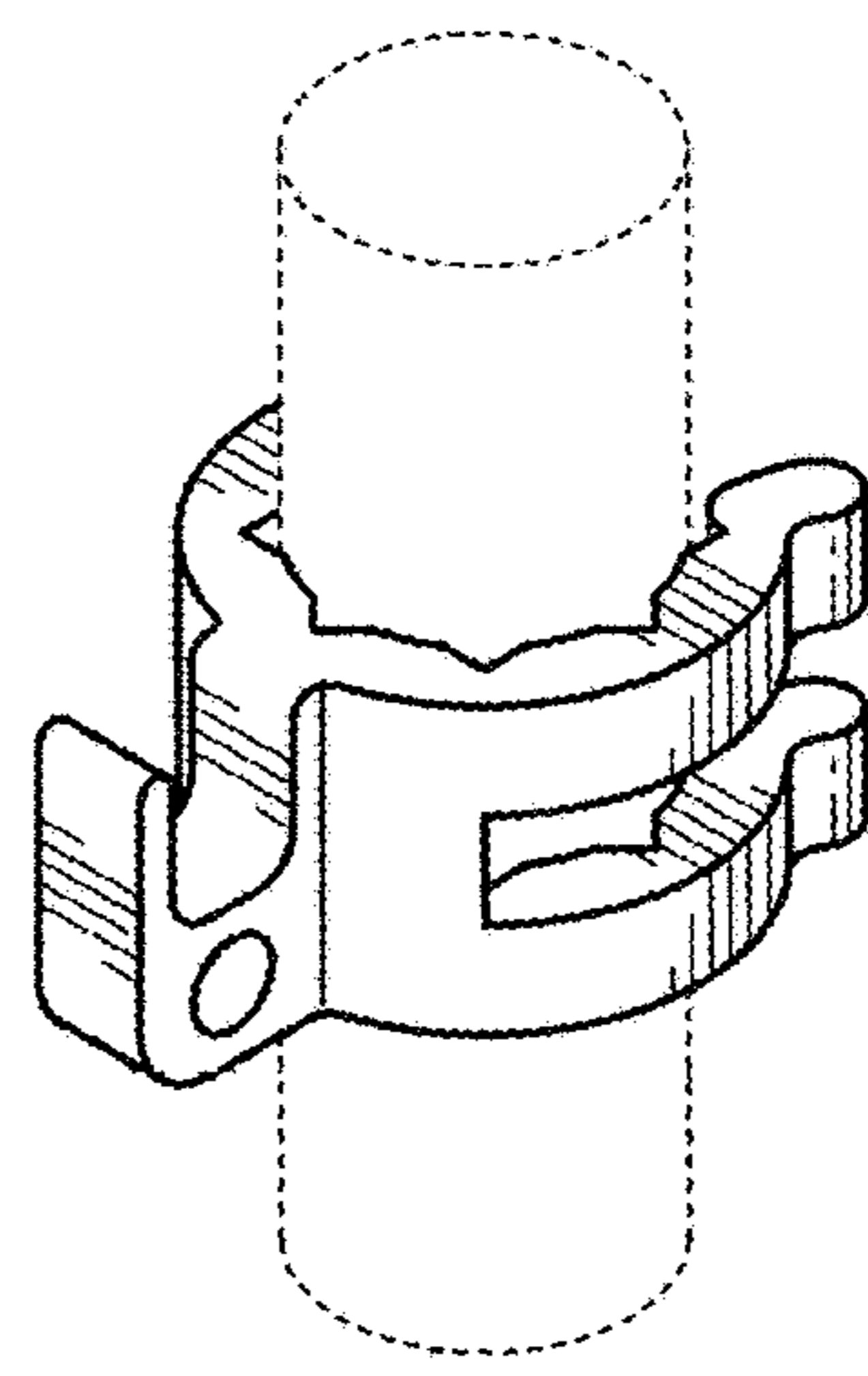


FIG. 20