



US00D798135S

(12) **United States Design Patent**  
**Douppnik**

(10) **Patent No.:** **US D798,135 S**

(45) **Date of Patent:** **\*\* Sep. 26, 2017**

- (54) **DOUBLE SIGN BRACKET**
- (71) Applicant: **Cole Douppnik**, Lincoln, CA (US)
- (72) Inventor: **Cole Douppnik**, Lincoln, CA (US)
- (\*\*) Term: **15 Years**
- (21) Appl. No.: **29/589,043**
- (22) Filed: **Dec. 27, 2016**
- (51) **LOC (10) Cl.** ..... **08-08**
- (52) **U.S. Cl.**  
USPC ..... **D8/382**
- (58) **Field of Classification Search**  
USPC ..... D8/71, 106, 349, 354, 355, 373, 380,  
D8/382, 394; D20/10, 41, 42, 43, 99  
CPC . G09F 1/103; G09F 3/204; G09F 3/16; G09F  
7/00; G09F 7/18; G09F 2007/1821; G09F  
2007/1843; G09F 2007/1847  
See application file for complete search history.

5,697,591 A *	12/1997	Cooper	.....	F21V 21/08 248/229.16
D538,634 S *	3/2007	King	.....	D8/380
D553,968 S *	10/2007	Skinner	.....	D8/382
D558,040 S *	12/2007	Skinner	.....	D8/354
D564,868 S *	3/2008	Terada	.....	D8/382
D595,115 S *	6/2009	Royer	.....	D8/354
2005/0217198 A1 *	10/2005	Carraher	.....	E04C 5/163 52/719
2008/0115448 A1 *	5/2008	Kodi	.....	E04C 5/167 52/719
2010/0192434 A1 *	8/2010	Smith	.....	G09F 7/18 40/606.01

\* cited by examiner

*Primary Examiner* — Sandra Snapp  
*Assistant Examiner* — Ieisha Price  
(74) *Attorney, Agent, or Firm* — Craig A. Simmermon

(57) **CLAIM**

I claim the ornamental design for a double sign bracket, as shown and described.

**DESCRIPTION**

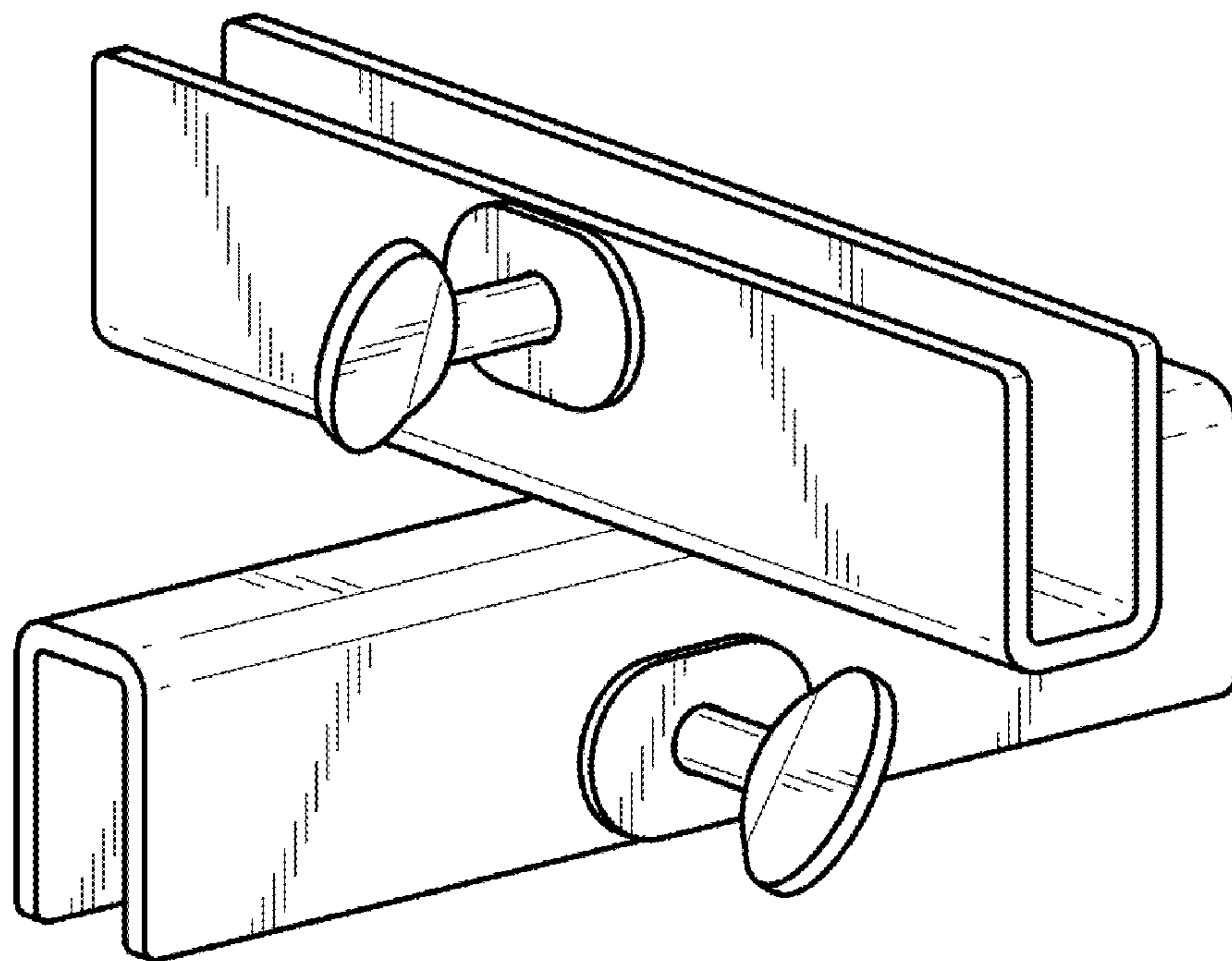
FIG. 1 is a perspective view of a double sign bracket showing my new design;  
FIG. 2 is a top plan view thereof;  
FIG. 3 is a front elevation view thereof;  
FIG. 4 is a bottom plan view thereof;  
FIG. 5 is a right side elevation view thereof;  
FIG. 6 is a rear elevation view thereof; and,  
FIG. 7 is a left side elevation view thereof.

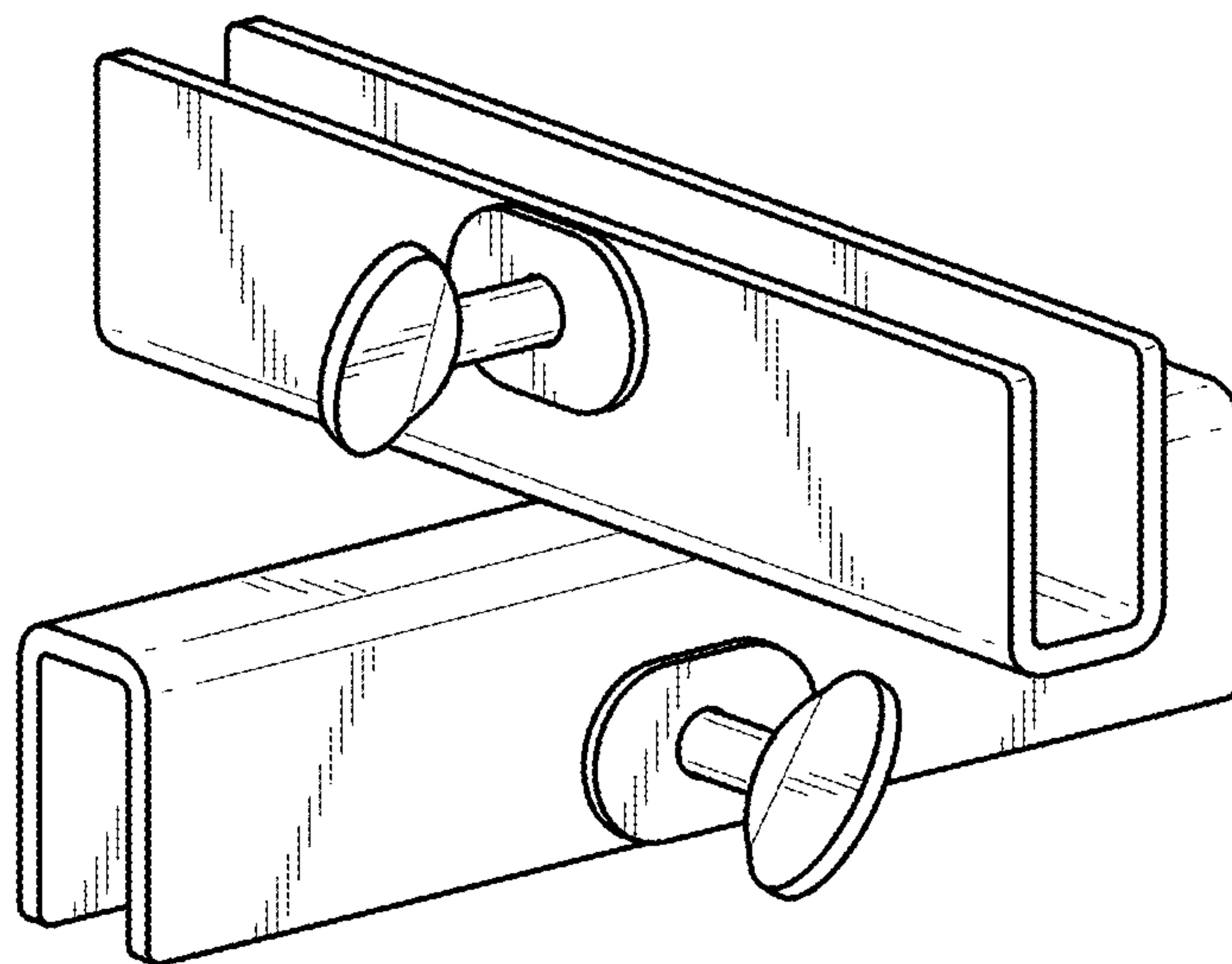
**1 Claim, 4 Drawing Sheets**

(56) **References Cited**

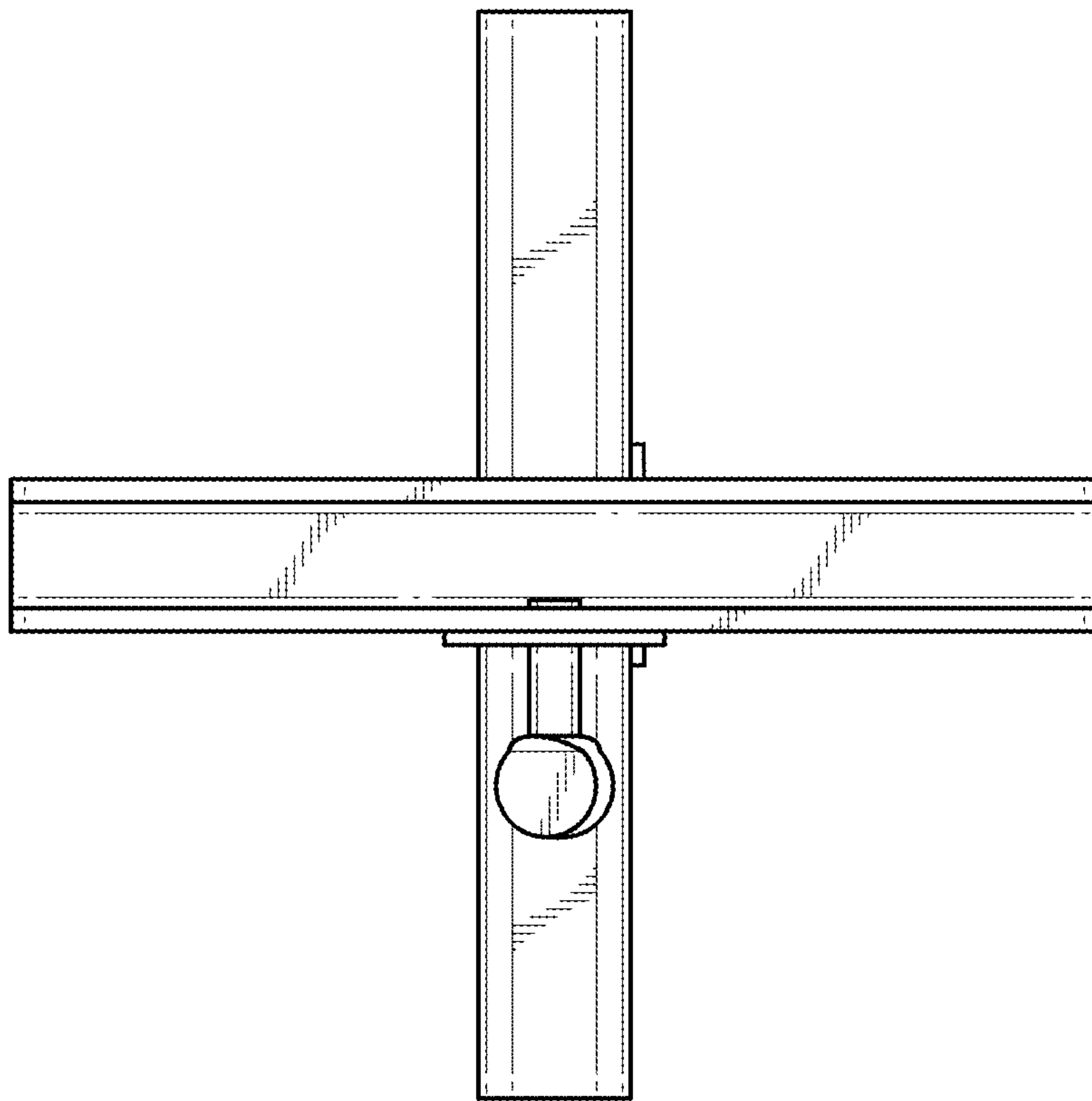
U.S. PATENT DOCUMENTS

1,848,085 A *	3/1932	Eisenschmidt	.....	E04G 7/02 249/219.1
4,217,716 A *	8/1980	Acquaviva	.....	G09F 7/18 40/607.11
4,262,438 A *	4/1981	Scherer	.....	G09F 7/18 40/607.11
D355,582 S *	2/1995	Sleight	.....	D8/354
D374,811 S *	10/1996	Miyashita	.....	D8/382
D375,040 S *	10/1996	Miyashita	.....	D8/382

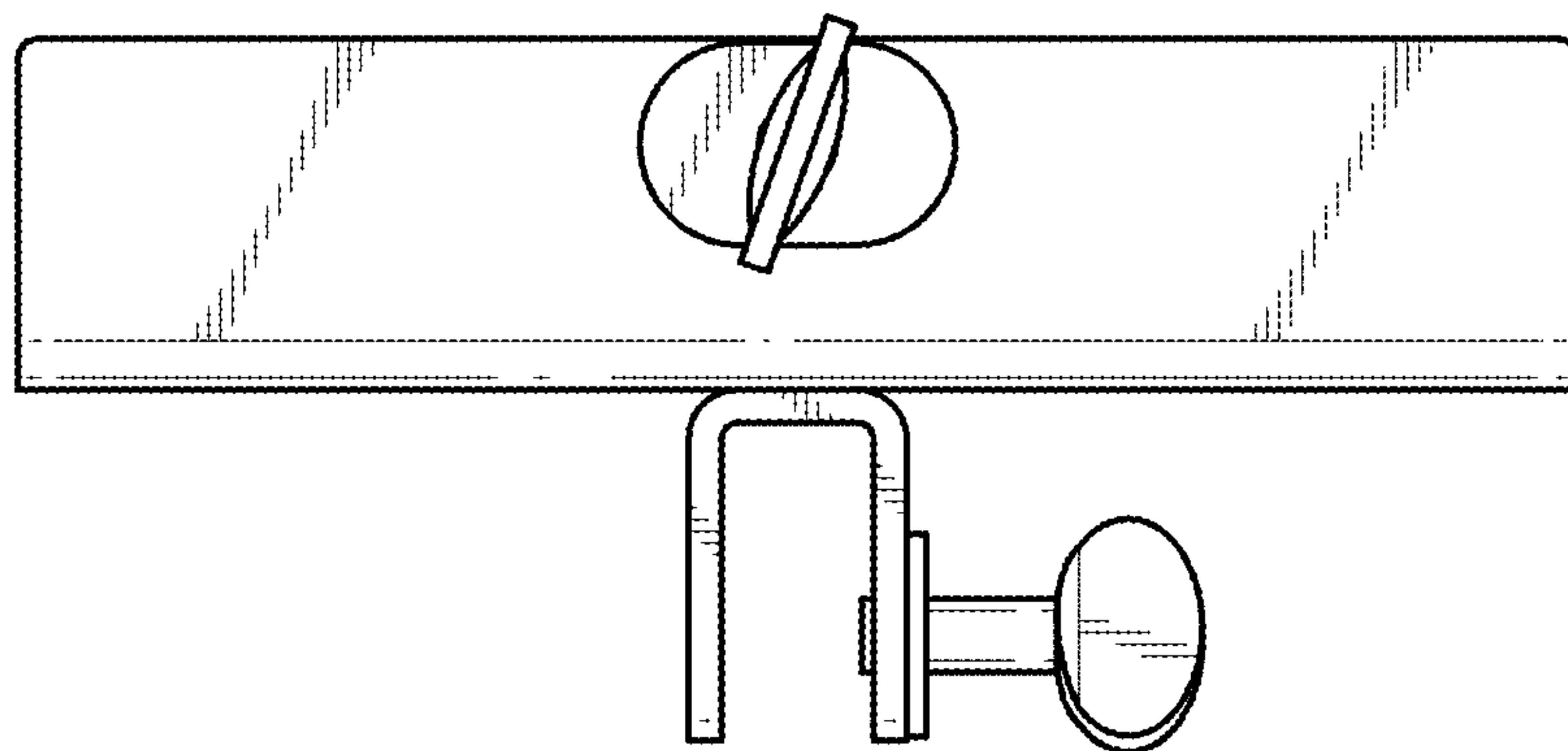




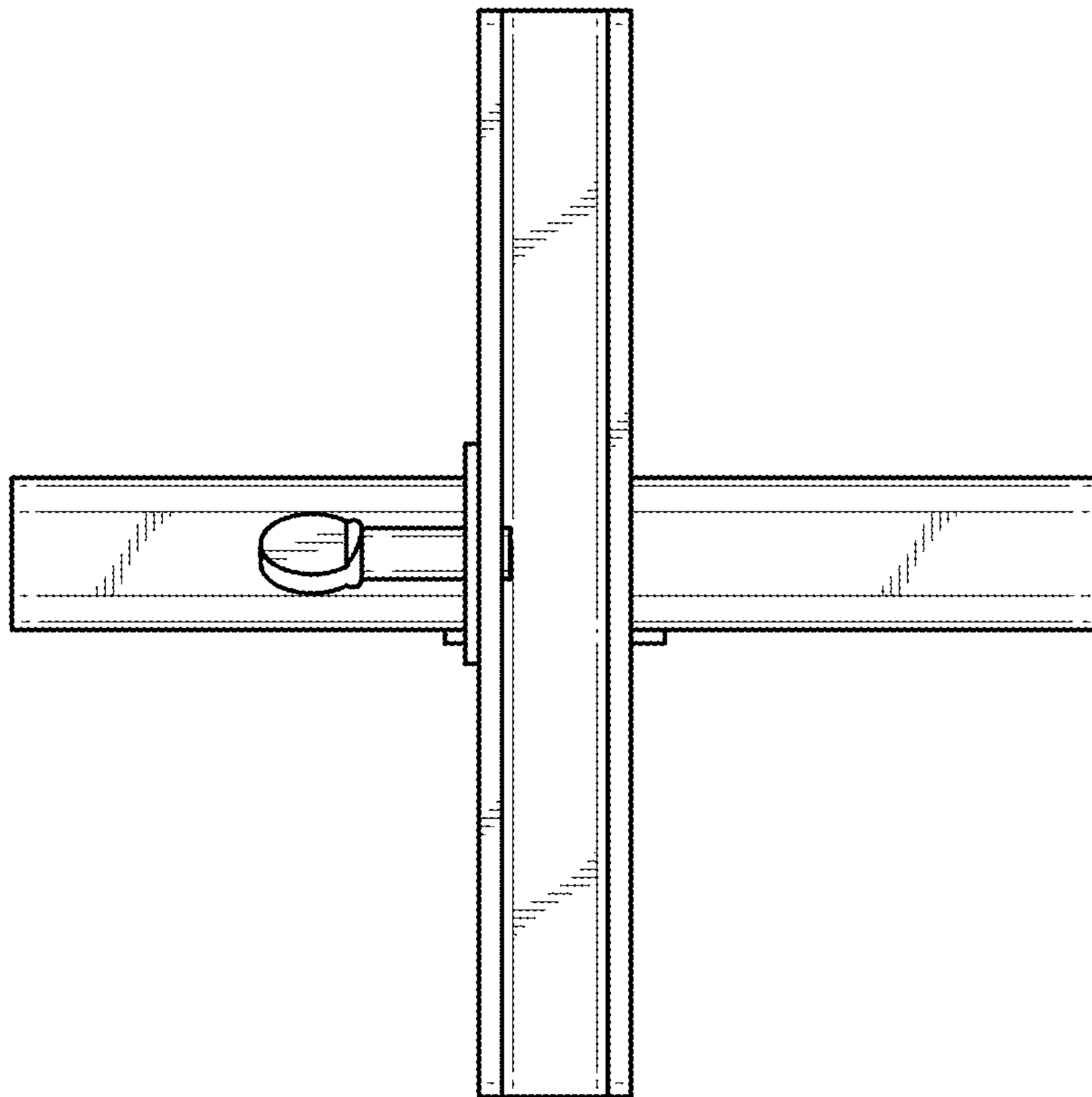
**FIG. 1**



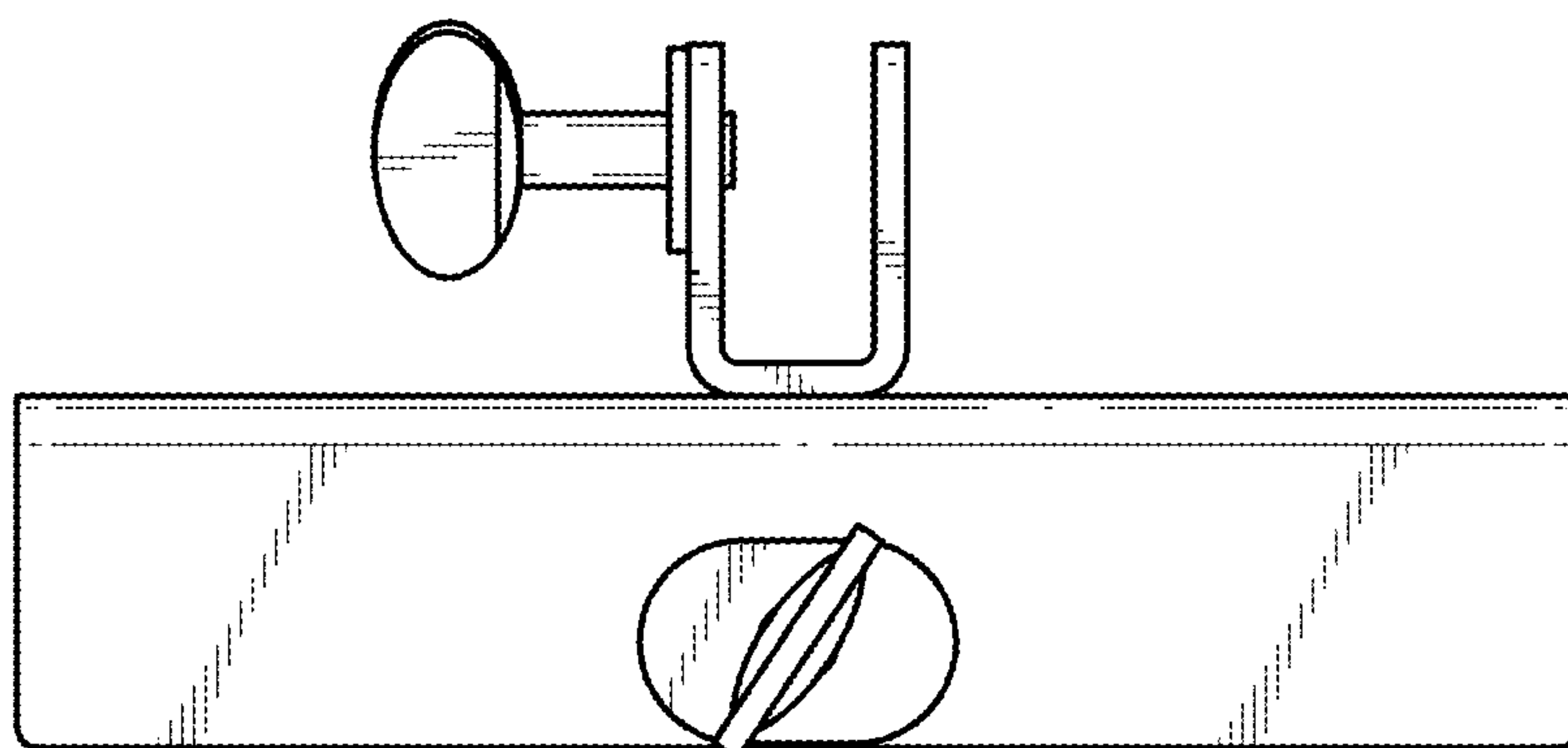
**FIG. 2**



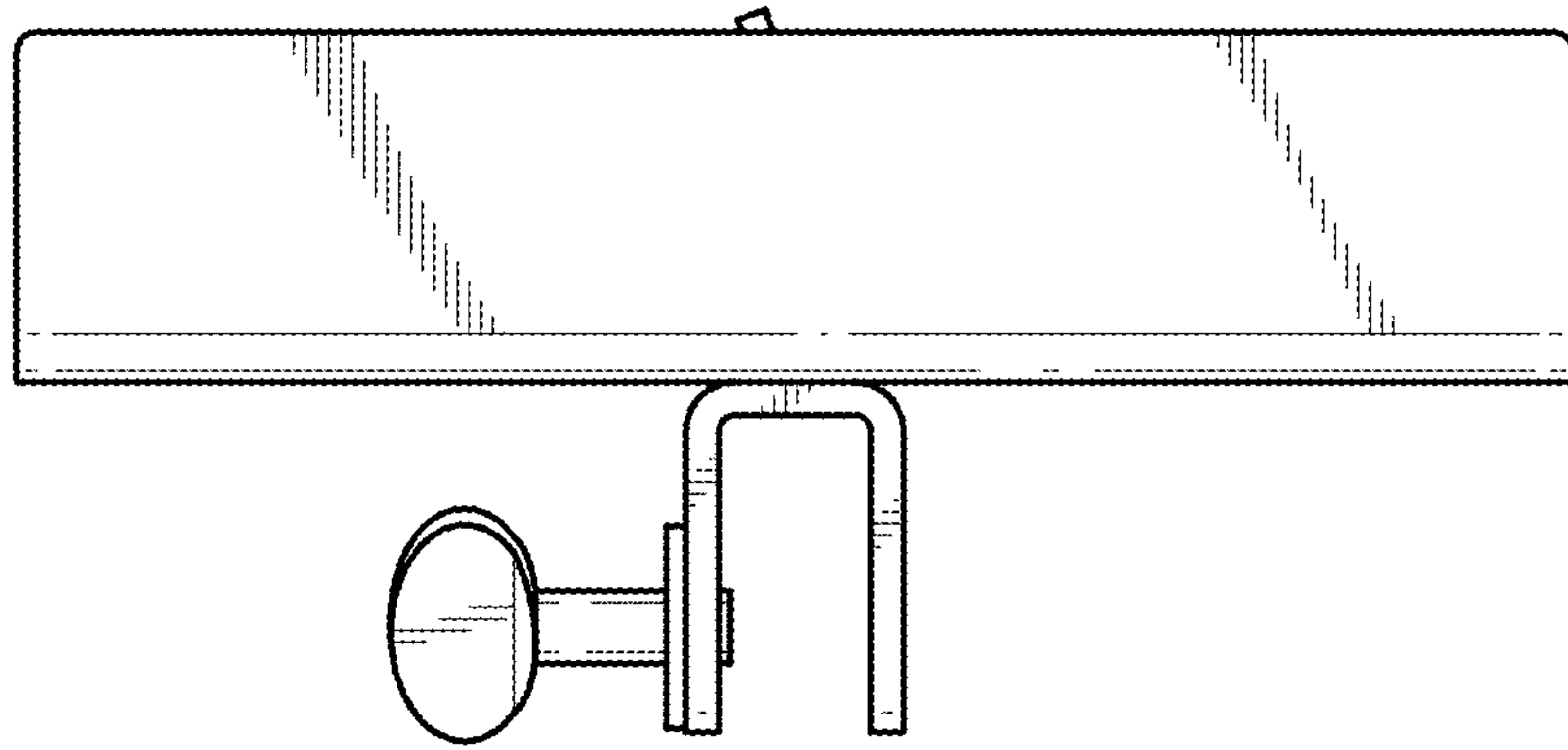
**FIG. 3**



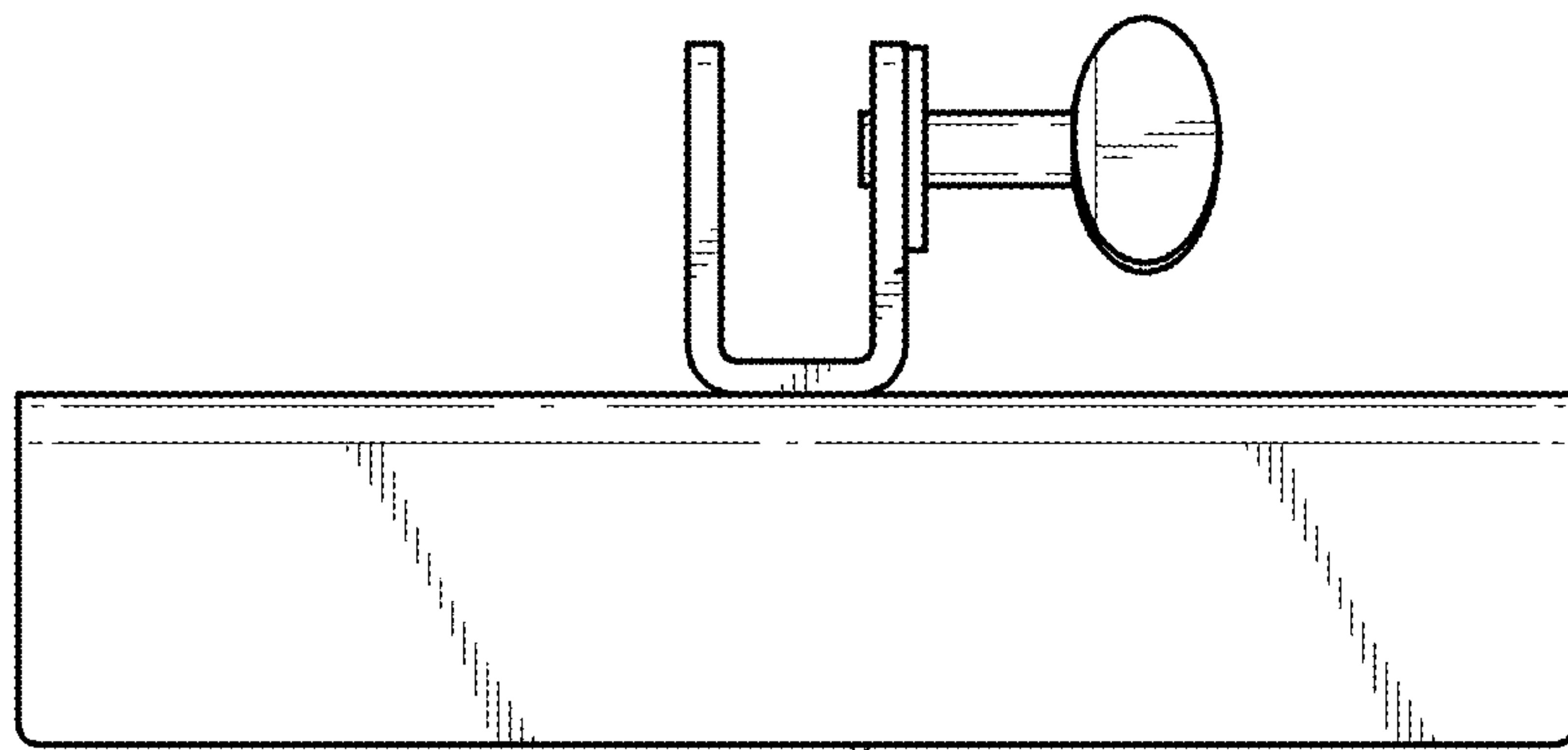
**FIG. 4**



**FIG. 5**



**FIG. 6**



**FIG. 7**