



US00D798134S

(12) **United States Design Patent**
Heindl

(10) **Patent No.:** **US D798,134 S**

(45) **Date of Patent:** **** Sep. 26, 2017**

(54) **CONNECTING ELEMENT FOR SHEET PILES**

D640,533 S * 6/2011 Austro D8/382
8,088,469 B2 * 1/2012 Heindl E02D 5/06
405/274

(71) Applicant: **Richard Heindl**, Graefelfing (DE)

D681,429 S * 5/2013 Heindl D8/382

D681,432 S * 5/2013 Heindl D8/382

(72) Inventor: **Richard Heindl**, Graefelfing (DE)

D681,433 S * 5/2013 Heindl D8/382

2008/0310924 A1 * 12/2008 Heindl E02D 5/08

405/279

(**) Term: **15 Years**

(21) Appl. No.: **29/550,103**

(22) Filed: **Dec. 30, 2015**

(30) **Foreign Application Priority Data**

Jul. 3, 2015 (EM) 002730838

(51) **LOC (10) Cl.** **08-08**

(52) **U.S. Cl.**
USPC **D8/382**

(58) **Field of Classification Search**
USPC D8/382, 394, 395; D25/119
CPC E02D 5/02; E02D 5/04; E02D 5/06; E02D
5/08; E02D 5/12; Y10T 403/73
See application file for complete search history.

(56) **References Cited**

U.S. PATENT DOCUMENTS

D242,034 S * 10/1976 Drawsky D25/119
D517,905 S * 3/2006 Wall D8/382
D618,991 S * 7/2010 Heindl D8/382
D621,251 S * 8/2010 Heindl D8/382

OTHER PUBLICATIONS

PilePro—The world leader in sheet pile connectors, image post date unknown, site visited on Jan. 15, 2016 (online), 2 Pages <http://assets.pilepro.com/uploads/catalog/file/31/PPUSA_Catalog.pdf>.*

* cited by examiner

Primary Examiner — Sandra Snapp

Assistant Examiner — Ieisha Price

(74) *Attorney, Agent, or Firm* — Shuttleworth & Ingersoll, PLC; Timothy J. Klima

(57) **CLAIM**

The ornamental design for a connecting element for sheet piles, as shown and described.

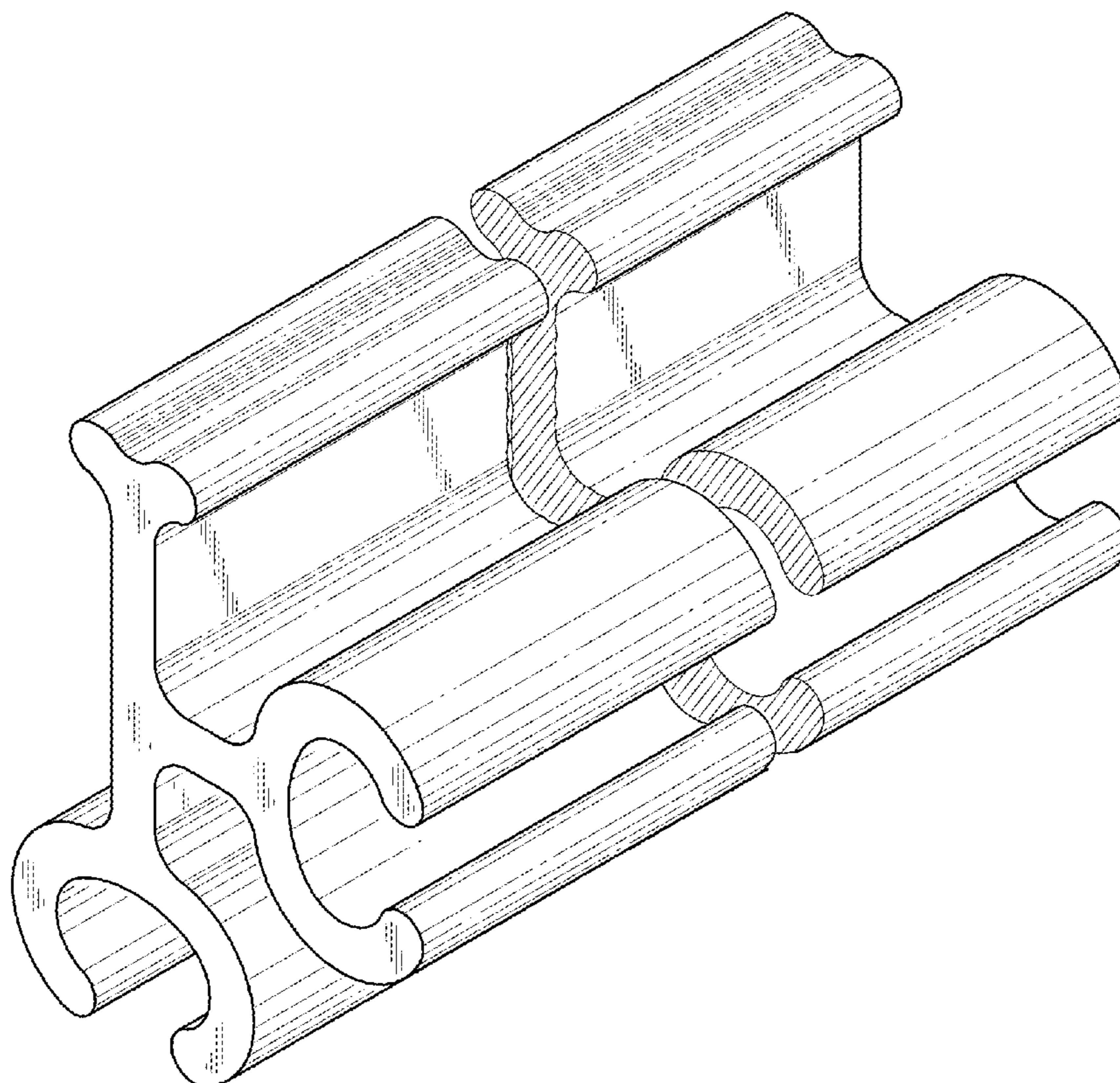
DESCRIPTION

FIG. 1 is a perspective view of a connecting element for sheet piles; and,

FIG. 2 is a side view thereof.

All portions of the connecting element for sheet piles located between the break lines form no part of the claimed design.

1 Claim, 2 Drawing Sheets



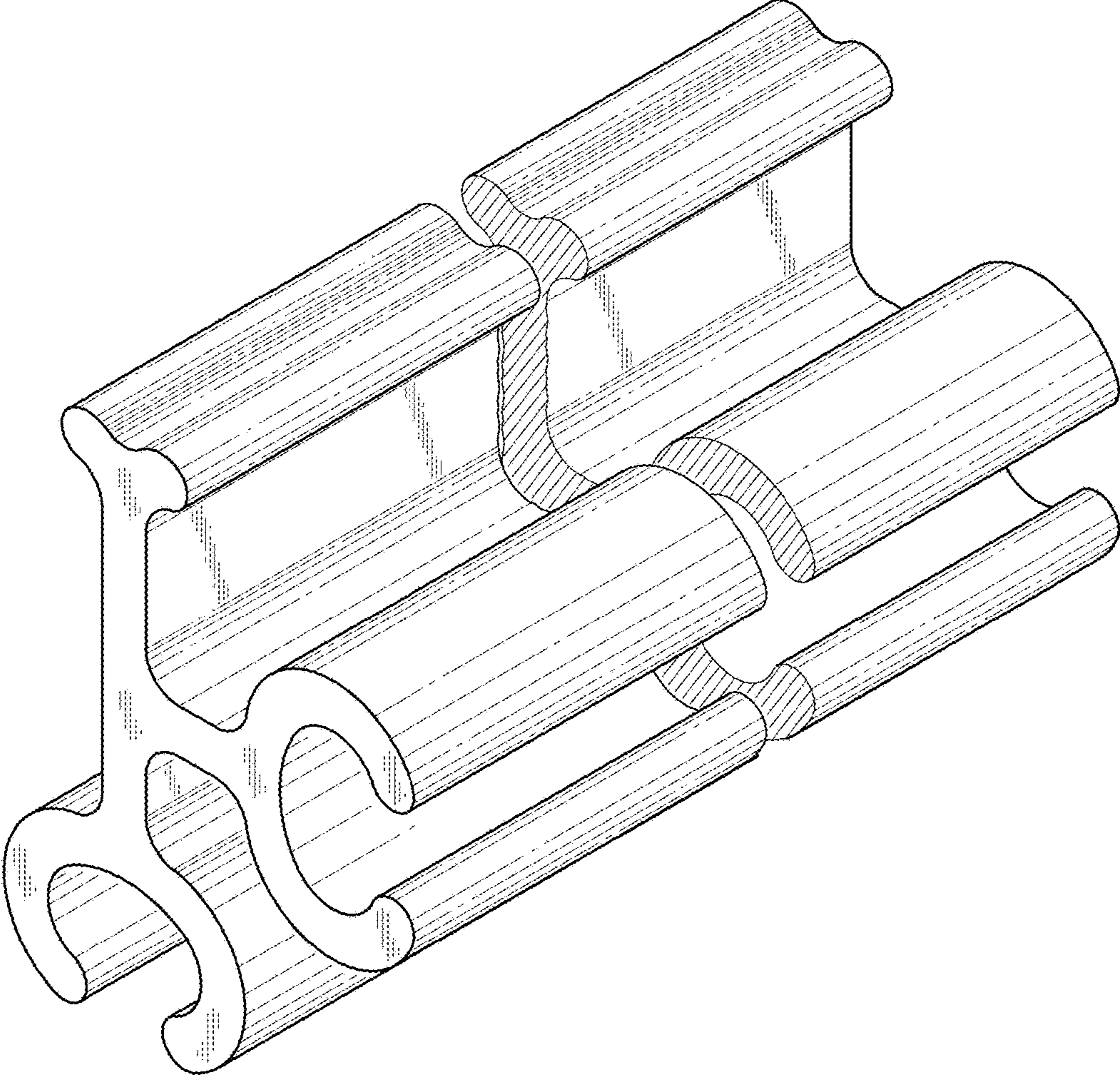


FIG. 1

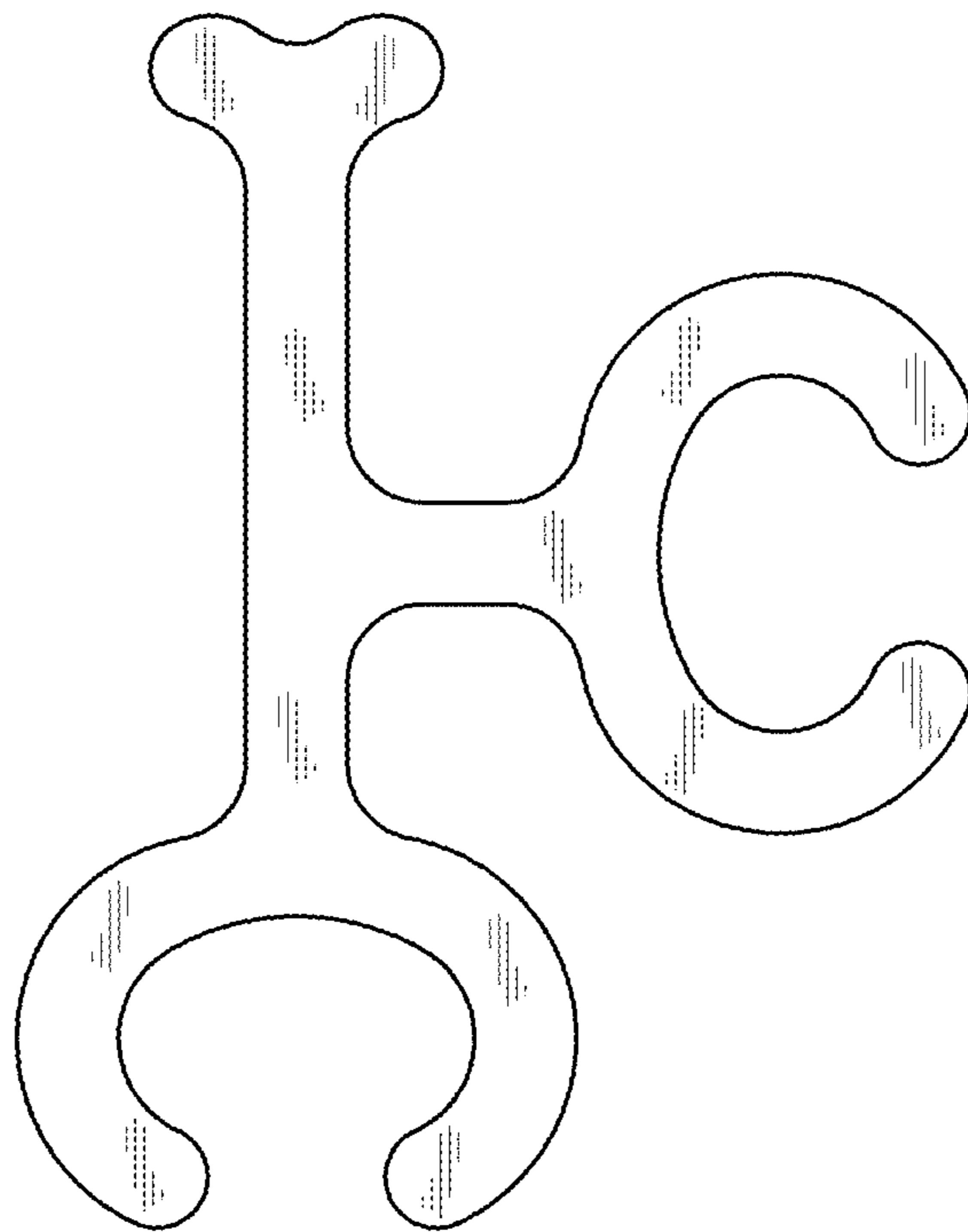


FIG. 2