



US00D798133S

(12) **United States Design Patent** (10) **Patent No.:** **US D798,133 S**
Ng (45) **Date of Patent:** **** Sep. 26, 2017**

(54) **CLUTCH COVER WITH PIN FOR ROLLER BLIND**

(71) Applicant: **ZMC Metal Coating Inc.**, Woodbridge (CA)

(72) Inventor: **Philip Ng**, Thornhill (CA)

(73) Assignee: **ZMC Metal Coating Inc.**, Woodbridge (CA)

(**) Term: **15 Years**

(21) Appl. No.: **29/551,171**

(22) Filed: **Jan. 11, 2016**

(30) **Foreign Application Priority Data**

Sep. 25, 2015 (CA) 164565

(51) **LOC (10) Cl.** **08-05**

(52) **U.S. Cl.**
USPC **D8/380; D6/580; D8/354**

(58) **Field of Classification Search**
USPC D6/580; D8/354, 380; 160/291, 292, 160/293.1, 321
CPC E06B 9/50; E06B 9/90; E06B 9/42; E06B 9/68; E06B 9/56
See application file for complete search history.

(56) **References Cited**

U.S. PATENT DOCUMENTS

- 81,019 A * 8/1868 Shorey E06B 9/50
160/298
- D27,719 S * 10/1897 Brown D6/580
- 4,448,233 A * 5/1984 Rombouts E06B 9/78
160/319
- 5,137,073 A * 8/1992 Huang E06B 9/78
160/319
- 5,507,374 A * 4/1996 Rude E06B 9/56
160/292

- D596,435 S * 7/2009 Wills D6/581
- D630,086 S * 1/2011 Chou D8/356
- D695,042 S * 12/2013 Licciardi Di Stefano D6/580
- D699,552 S * 2/2014 Wills D8/380
- 8,726,972 B1 * 5/2014 Wills E06B 9/50
160/291
- 8,997,829 B2 * 4/2015 Kao E06B 9/44
160/321
- 9,212,518 B2 * 12/2015 Mann E06B 9/324
- 2005/0247413 A1 * 11/2005 Nien E06B 9/42
160/321

(Continued)

FOREIGN PATENT DOCUMENTS

- CA 2452908 A1 * 10/2003 E06B 9/44
- CA 2824898 A1 * 4/2014 F16D 7/021
- EP 1717399 A2 * 11/2006 E06B 9/322

Primary Examiner — Caron D Veynar

Assistant Examiner — Maria Edwards

(74) *Attorney, Agent, or Firm* — Honigman Miller Schwartz and Cohn LLP

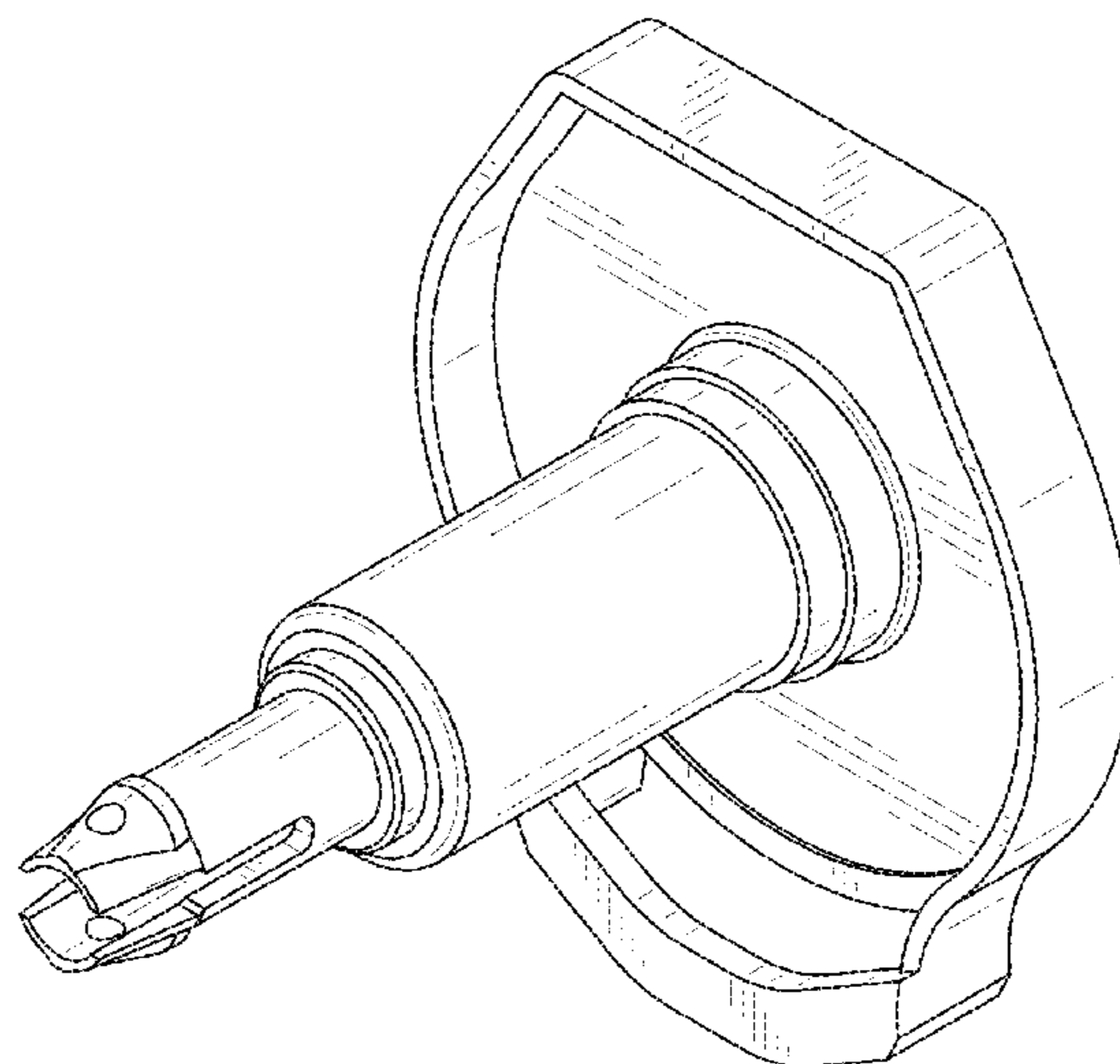
(57) **CLAIM**

The ornamental design for a clutch cover with pin for roller blind, as shown and described.

DESCRIPTION

FIG. 1 is a front/right side isometric view of an embodiment of a clutch cover with pin for roller blind;
FIG. 2 is a front view of the embodiment of FIG. 1;
FIG. 3 is a rear view of the embodiment of FIG. 1;
FIG. 4 is a right side elevational view of the embodiment of FIG. 1;
FIG. 5 is a left side elevational view of the embodiment of FIG. 1;
FIG. 6 is a top view of the clutch cover for the embodiment of FIG. 1; and,
FIG. 7 is a bottom view of the clutch cover for the embodiment of FIG. 1.

1 Claim, 7 Drawing Sheets



(56)

References Cited

U.S. PATENT DOCUMENTS

2007/0107857 A1* 5/2007 Wang E06B 9/42
160/321
2007/0169900 A1* 7/2007 Chen A47H 5/14
160/321
2014/0110210 A1* 4/2014 Ng F16D 7/021
192/56.2

* cited by examiner

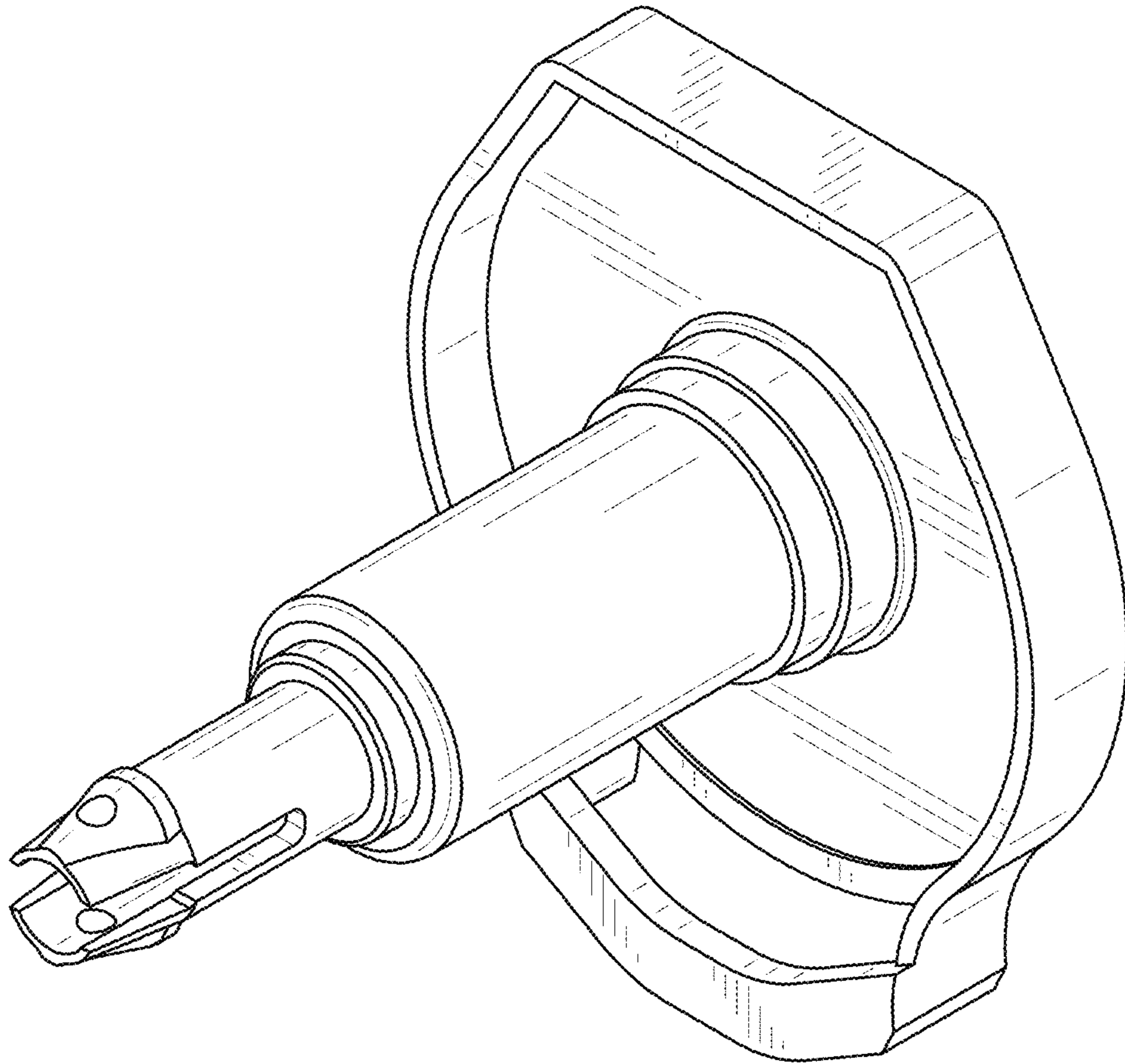


FIG. 1

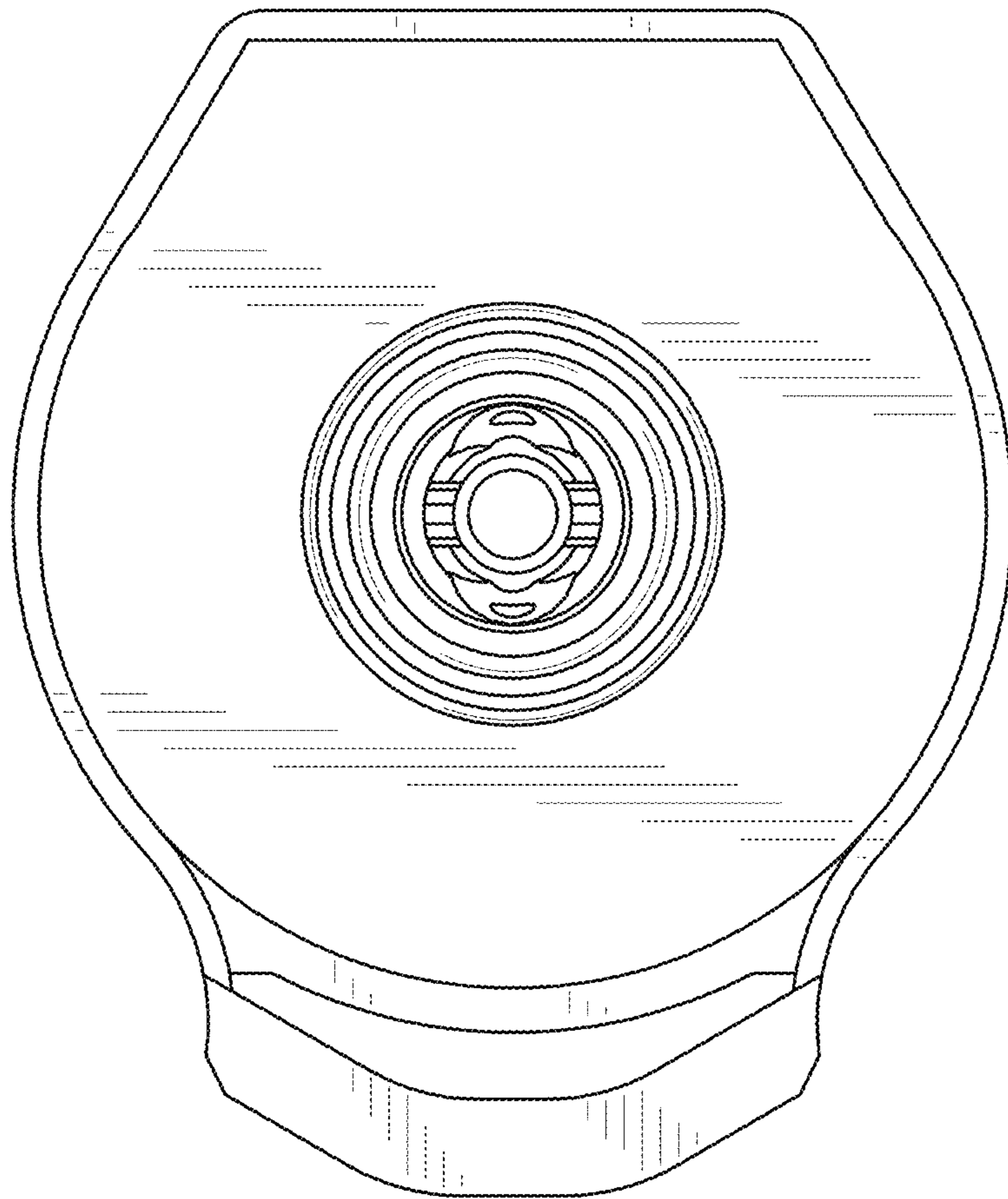


FIG. 2

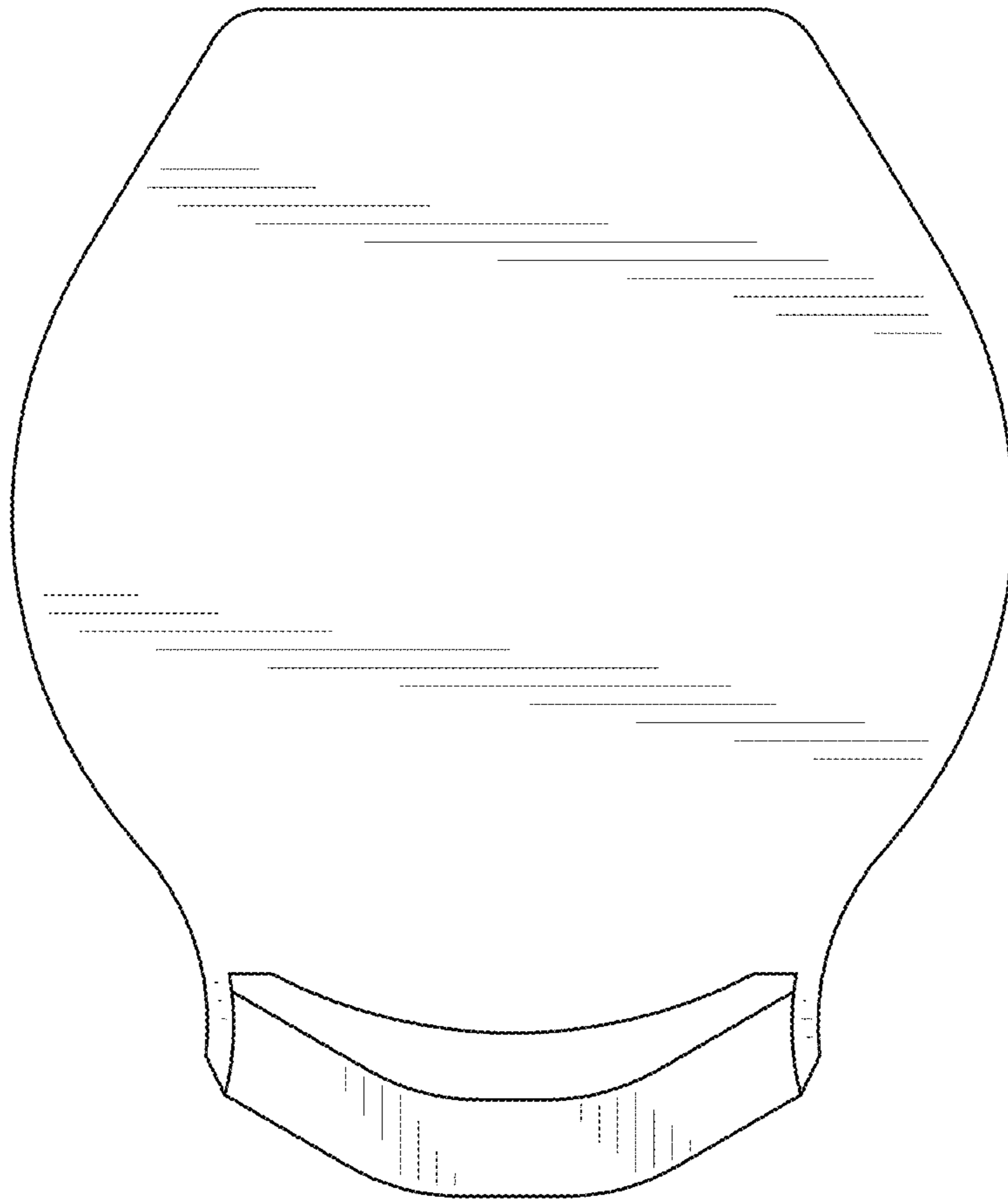


FIG. 3

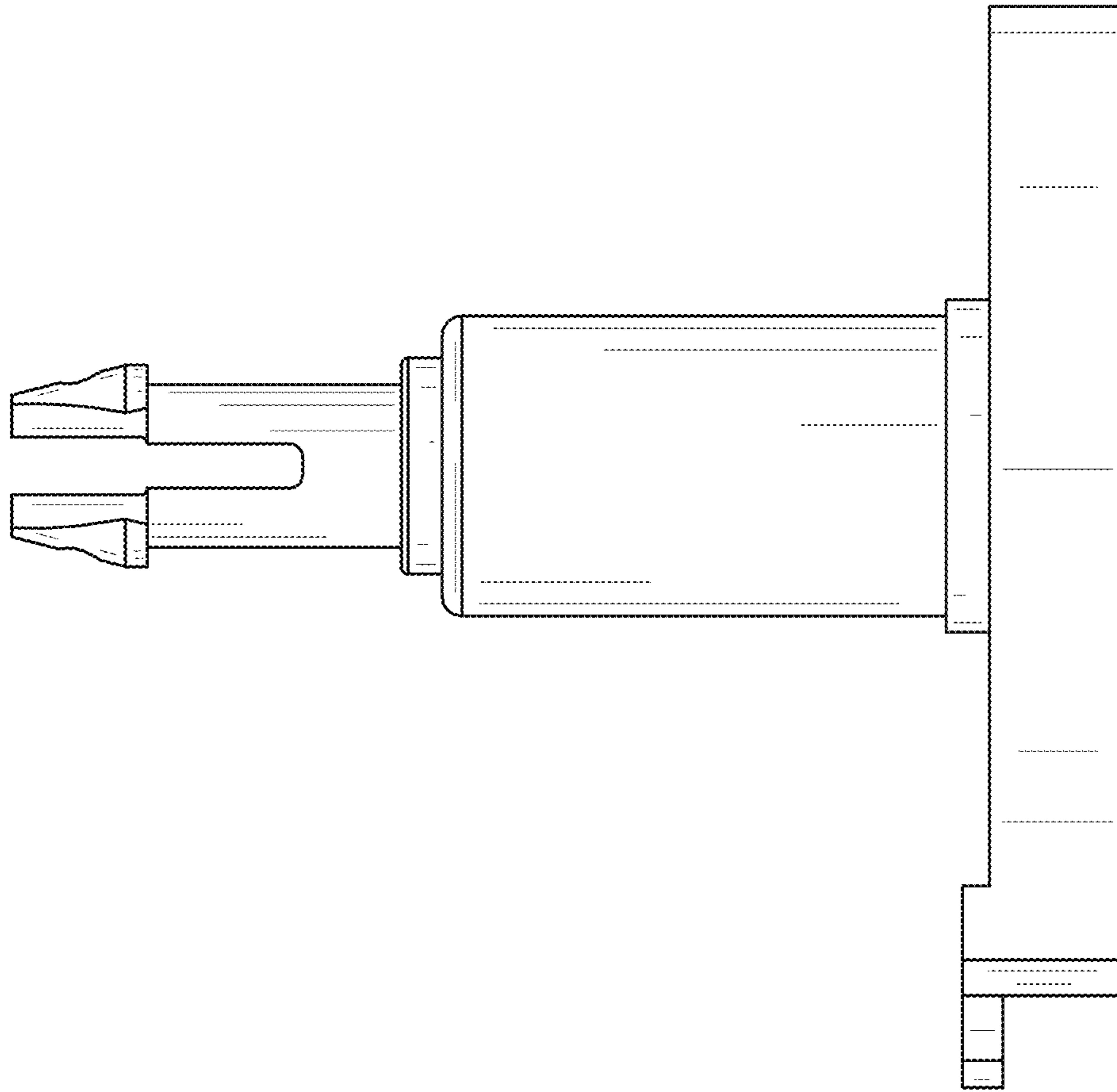


FIG. 4

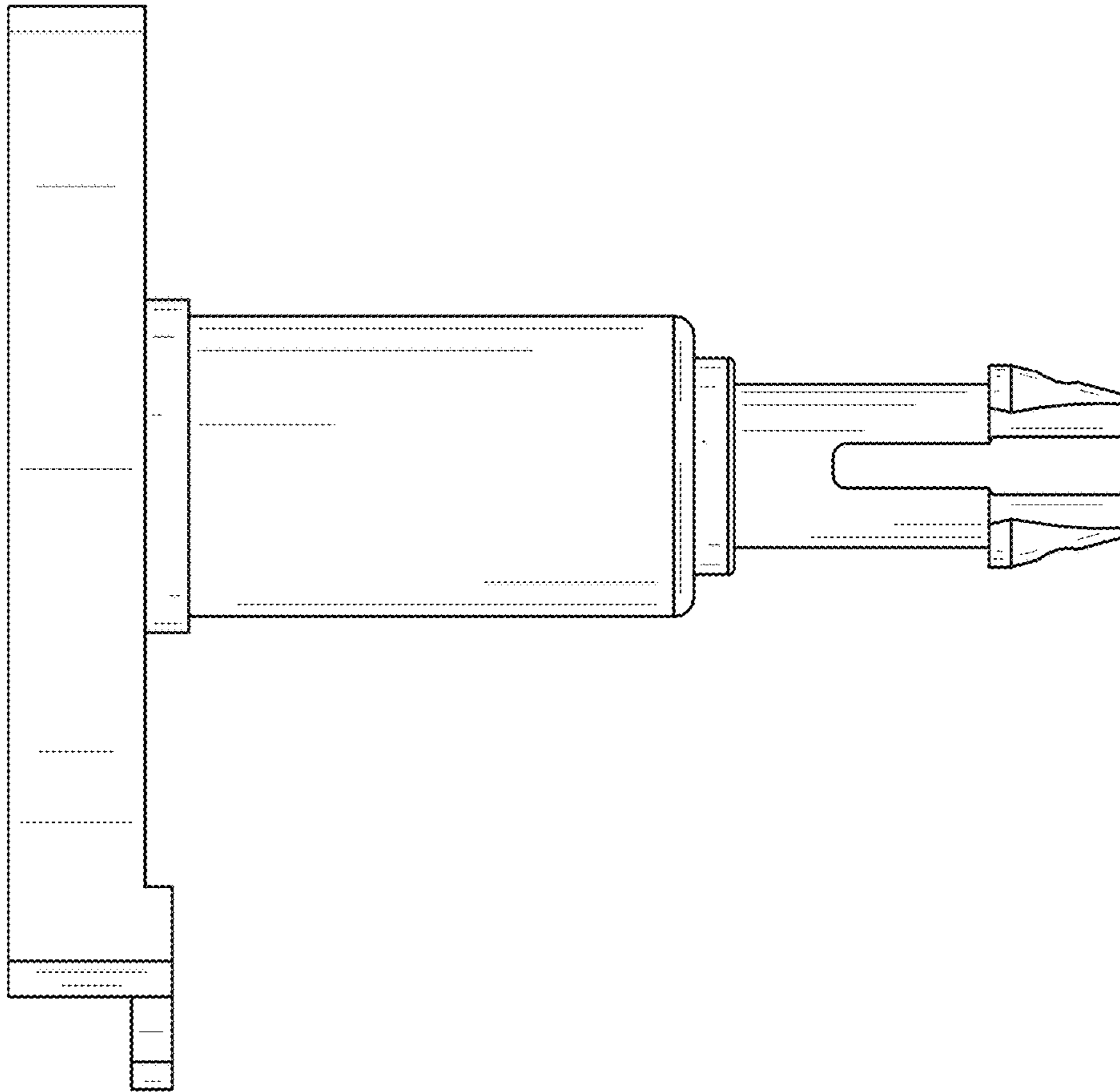


FIG. 5

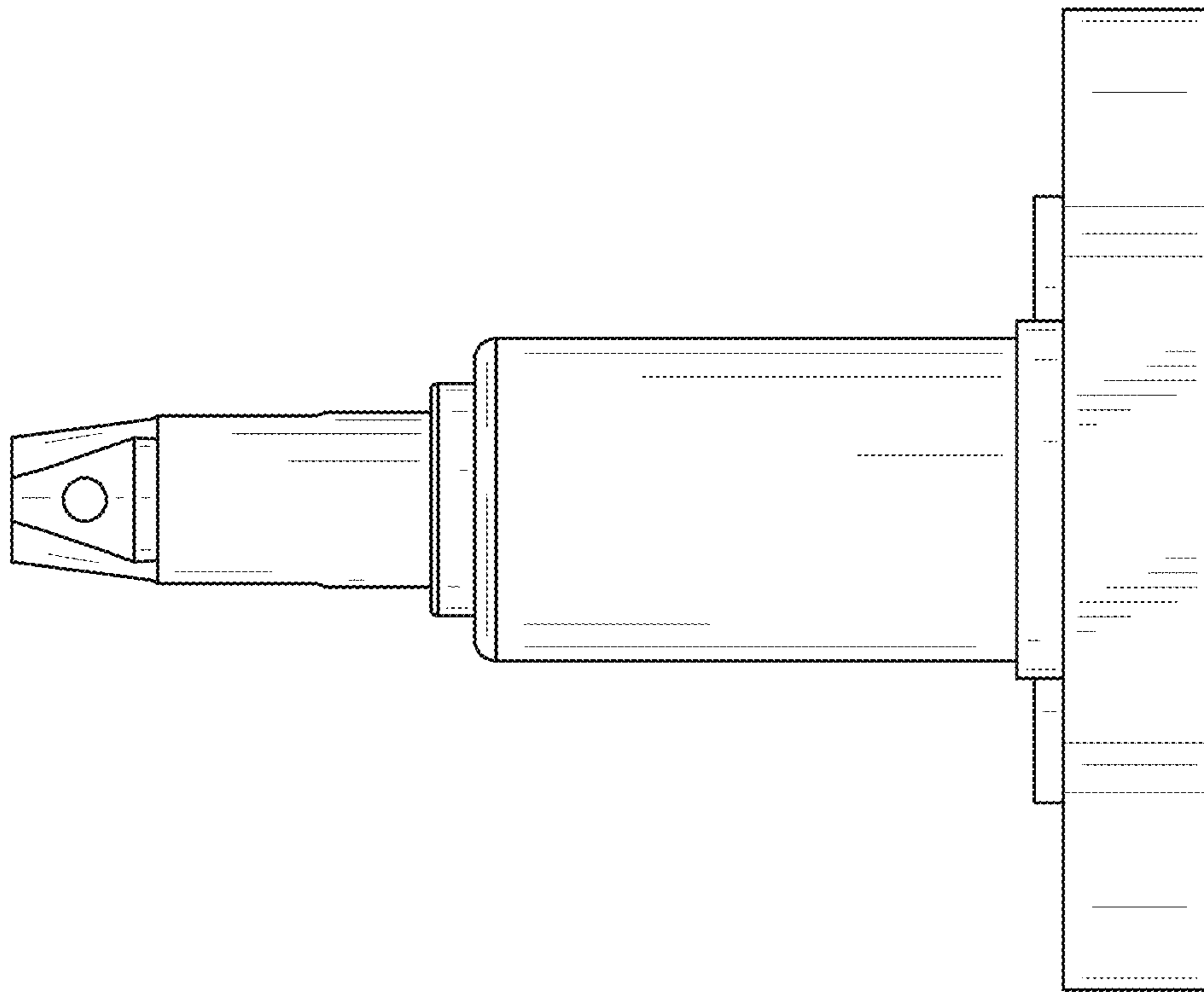


FIG. 6

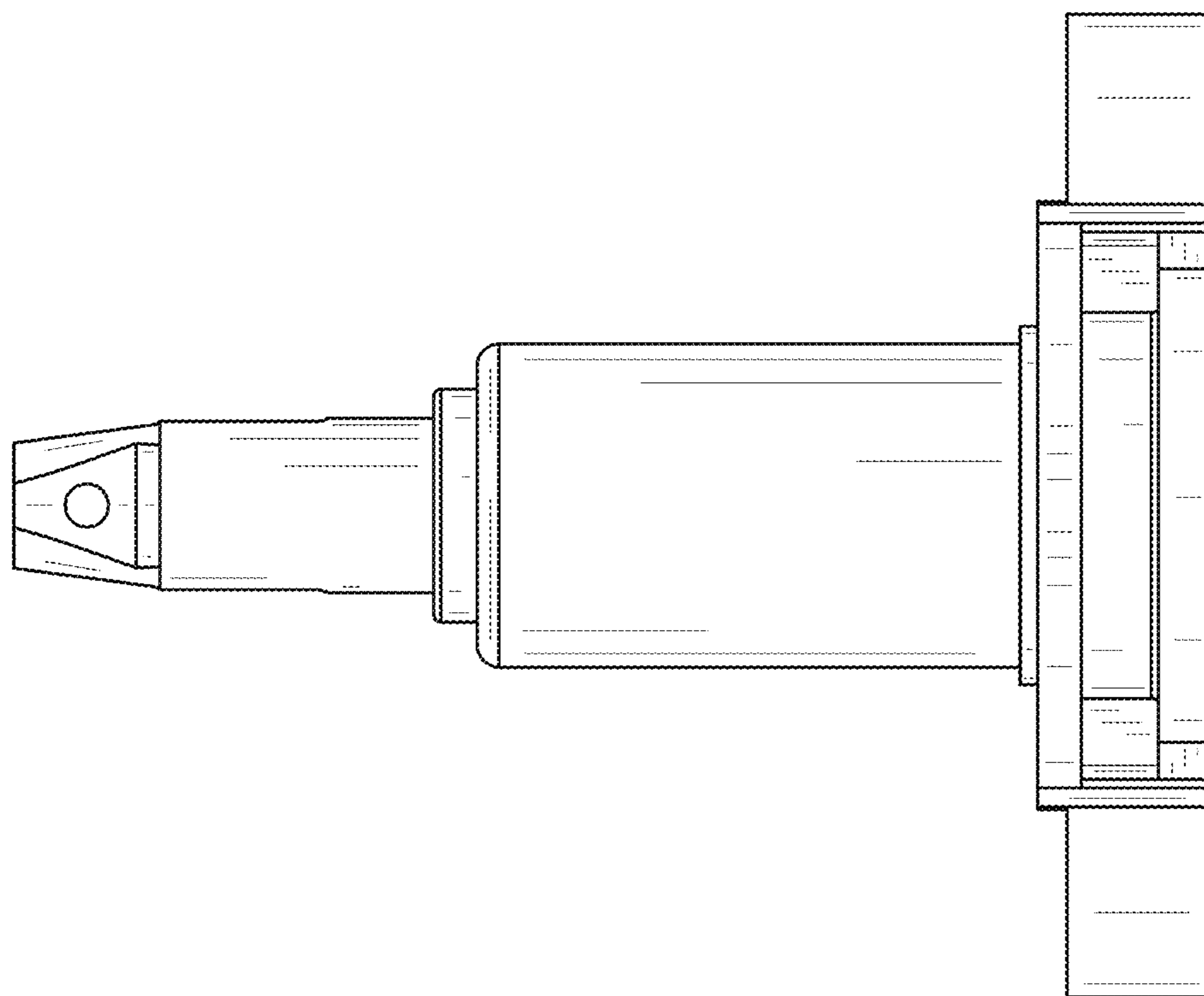


FIG. 7