



US00D798132S

(12) **United States Design Patent**
Meyers

(10) **Patent No.:** **US D798,132 S**

(45) **Date of Patent:** **** Sep. 26, 2017**

(54) **FURNITURE GRIPPER**

(71) Applicant: **Waxman Consumer Products Group Inc.**, Bedford Heights, OH (US)

(72) Inventor: **Jacob Meyers**, Fairview Park, OH (US)

(73) Assignee: **Waxman Consumer Products Group Inc.**, Bedford Heights, OH (US)

(**) Term: **15 Years**

(21) Appl. No.: **29/560,442**

(22) Filed: **Apr. 6, 2016**

Related U.S. Application Data

(62) Division of application No. 29/510,705, filed on Dec. 2, 2014, now Pat. No. Des. 756,758.

(51) **LOC (10) Cl.** **08-05**

(52) **U.S. Cl.**
USPC **D8/374**

(58) **Field of Classification Search**

USPC D8/15, 16, 19, 20, 349, 374, 375, 376,
D8/366, 354, 382, 499, 680, 681, 310,
D8/307, 321, 399, 398; D17/20, 99, 9;
D6/613, 615, 616, 708.16, 710, 553;
D7/388, 701; D21/302, 386, 443;
D23/259; D14/238; D25/133
CPC A47B 91/04; A47B 91/06; A47B 91/026;
A47B 91/028; A47B 91/12; A47C 7/006;
A47C 19/024; A47C 7/002; A47F 7/0028
See application file for complete search history.

(56) **References Cited**

U.S. PATENT DOCUMENTS

D44,952 S * 12/1913 Buser D8/374
D95,069 S 4/1935 Richter
D163,554 S 6/1951 Auer
D167,963 S 10/1952 Auer

D169,410 S 4/1953 Auer
D236,791 S * 9/1975 Bruno D25/158
D239,691 S * 4/1976 Ashton D7/359
D338,360 S 8/1993 Petersen
D366,183 S * 1/1996 Sintchak D7/388
D466,394 S * 12/2002 Neider D8/354
D492,190 S 6/2004 Howe et al.
D513,583 S 1/2006 Chase
D546,119 S * 7/2007 Dodge D7/388
D548,577 S 8/2007 Shiffler
D549,555 S * 8/2007 Ignagni D8/354
D562,672 S 2/2008 Mussallem
D649,442 S 11/2011 Gardner
D661,575 S * 6/2012 Ruiz D8/374
D669,197 S * 10/2012 Connor D25/133

(Continued)

Primary Examiner — Robert M Spear

Assistant Examiner — Eliza Bennett-Hattan

(74) *Attorney, Agent, or Firm* — Tarolli, Sundheim,
Covell & Tummino LLP; John A. Yirga, Esq.

(57) **CLAIM**

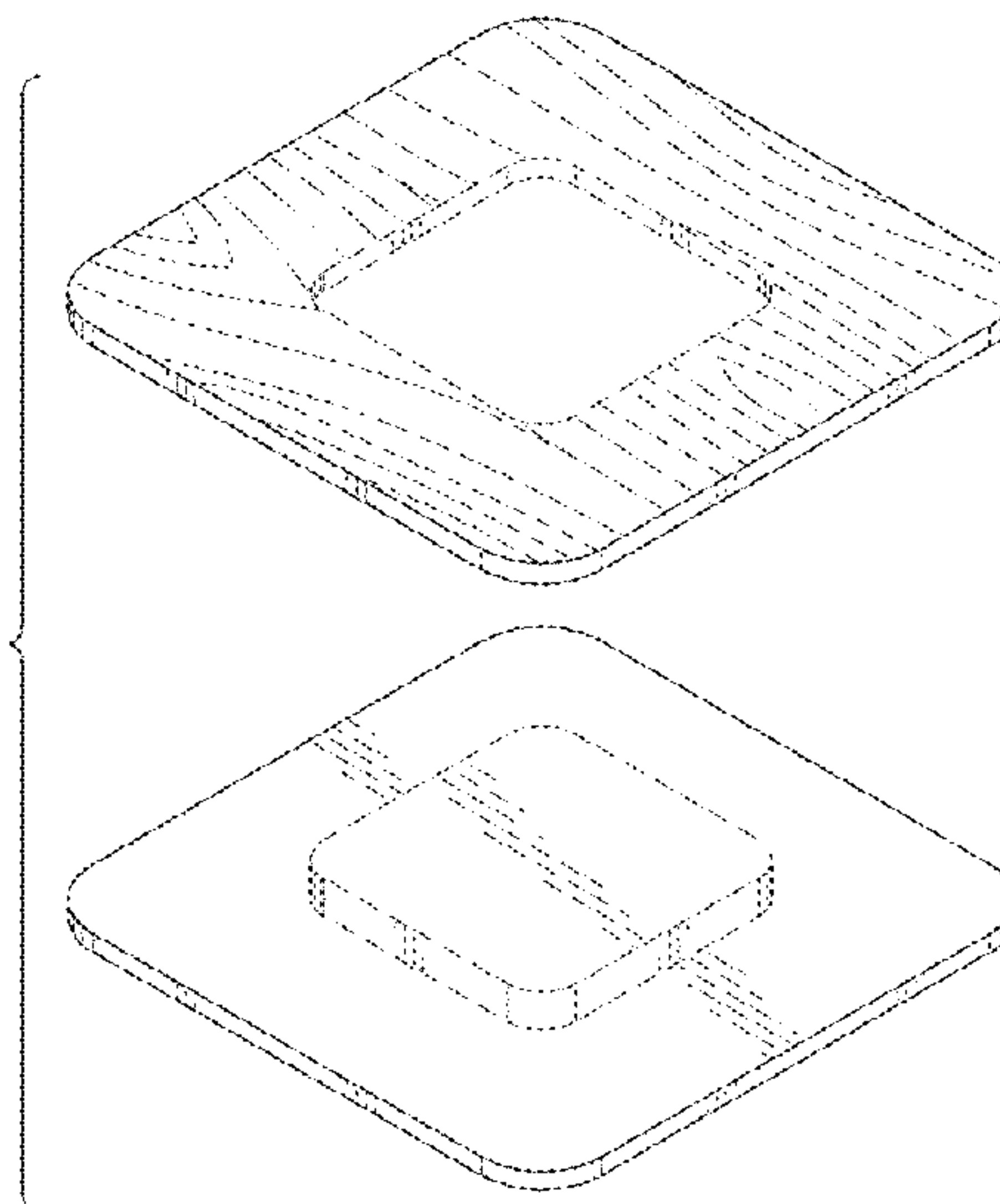
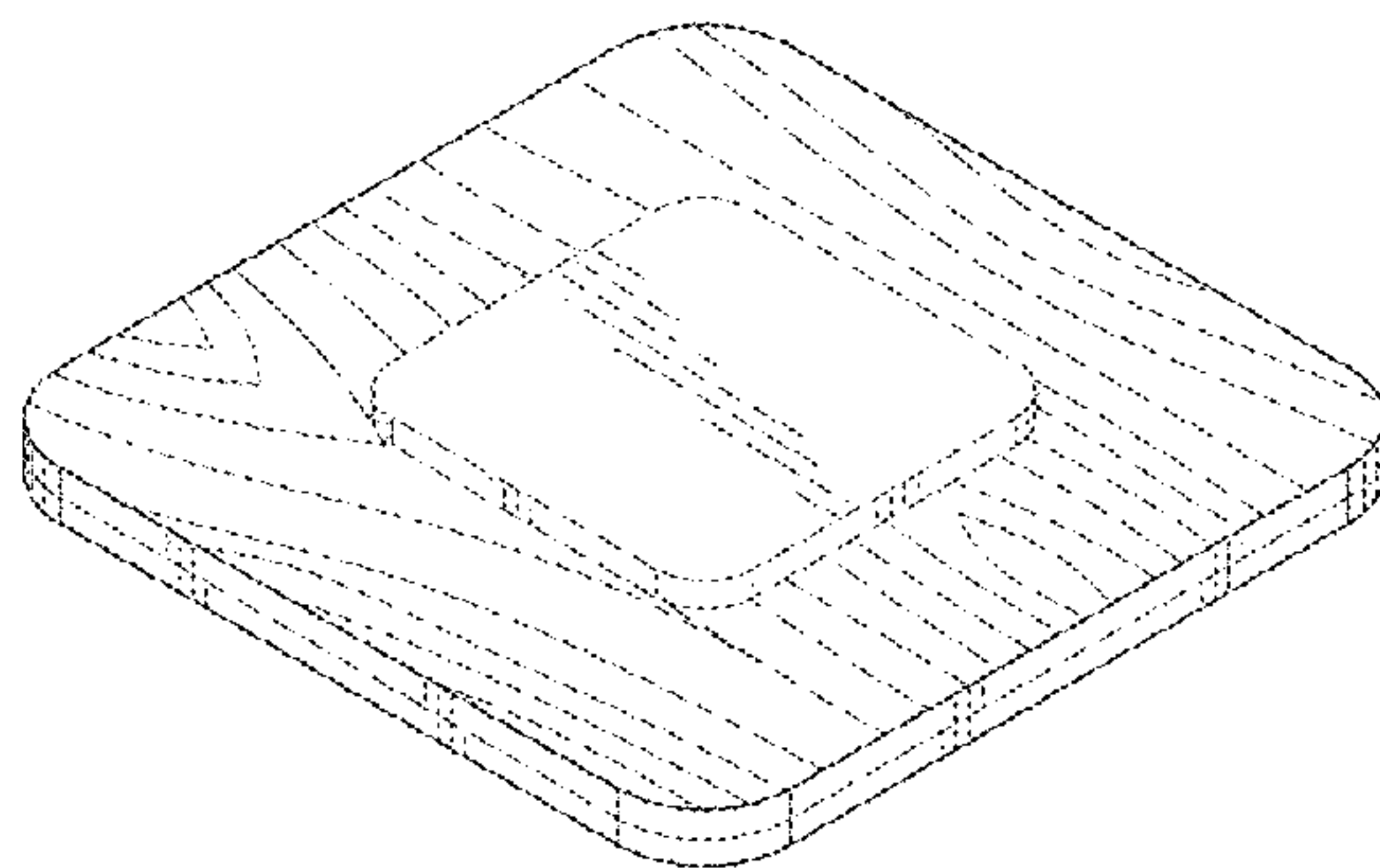
The ornamental design for a furniture gripper, as shown and described.

DESCRIPTION

FIG. 1 is a top perspective view of a furniture gripper featuring our ornamental design;
FIG. 2 is a bottom perspective view thereof;
FIG. 3 is a top plan view thereof;
FIG. 4 is a bottom plan view thereof;
FIG. 5 is a front elevation view thereof;
FIG. 6 is a rear elevation view thereof;
FIG. 7 is a left side elevation view thereof;
FIG. 8 is a right side elevation view thereof; and,
FIG. 9 is an exploded top perspective assembly view thereof.

Those portions of the furniture gripper design resembling a wood grain or a simulated wood grain are part of the claimed design.

1 Claim, 4 Drawing Sheets



(56)

References Cited

U.S. PATENT DOCUMENTS

D685,255 S	7/2013	Rocquet	
D723,355 S	3/2015	Federspiel	
D730,163 S	5/2015	Wu	
D756,758 S	5/2016	Meyers	
D764,902 S *	8/2016	Clarke	D8/374

* cited by examiner

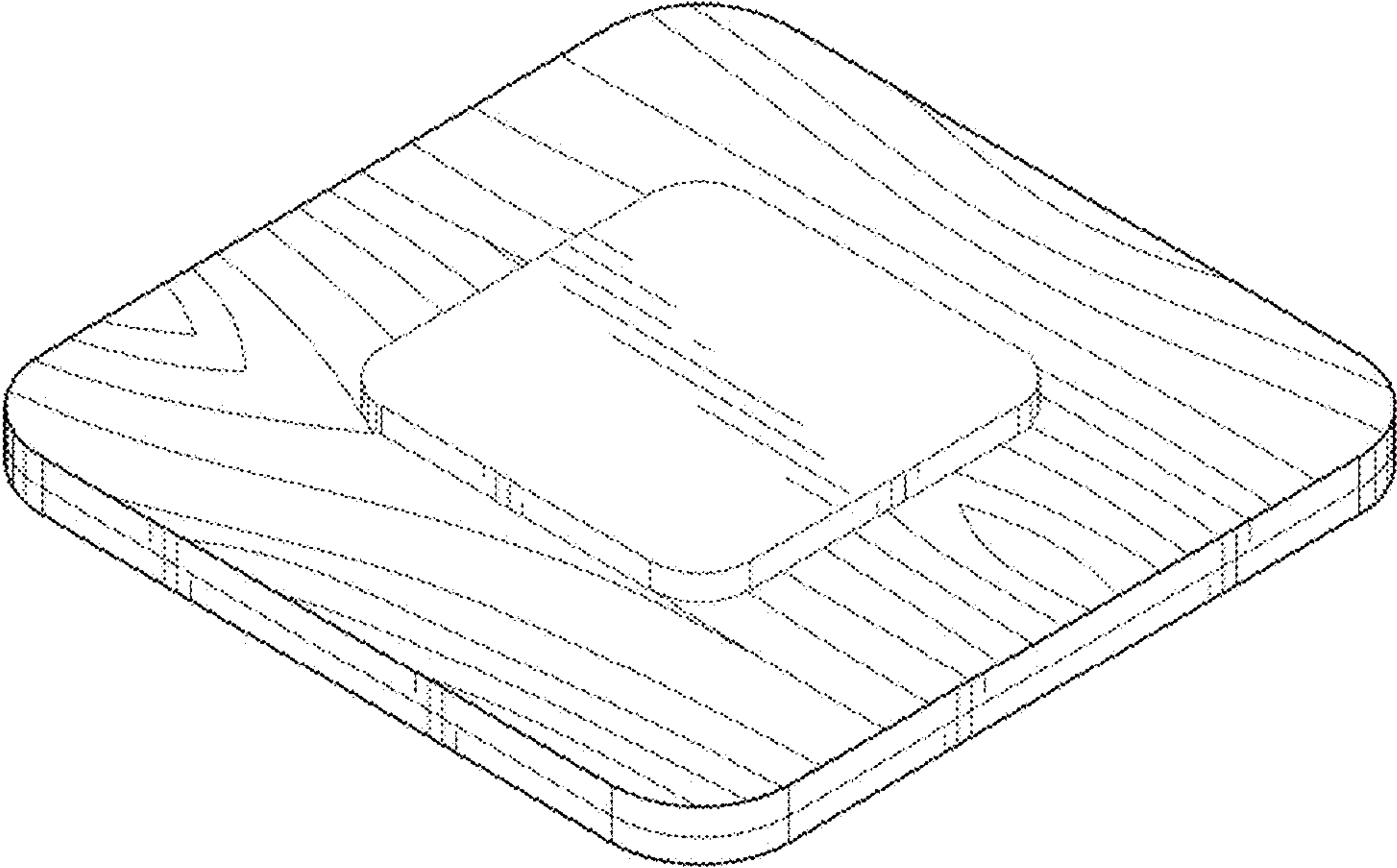


FIG. 1

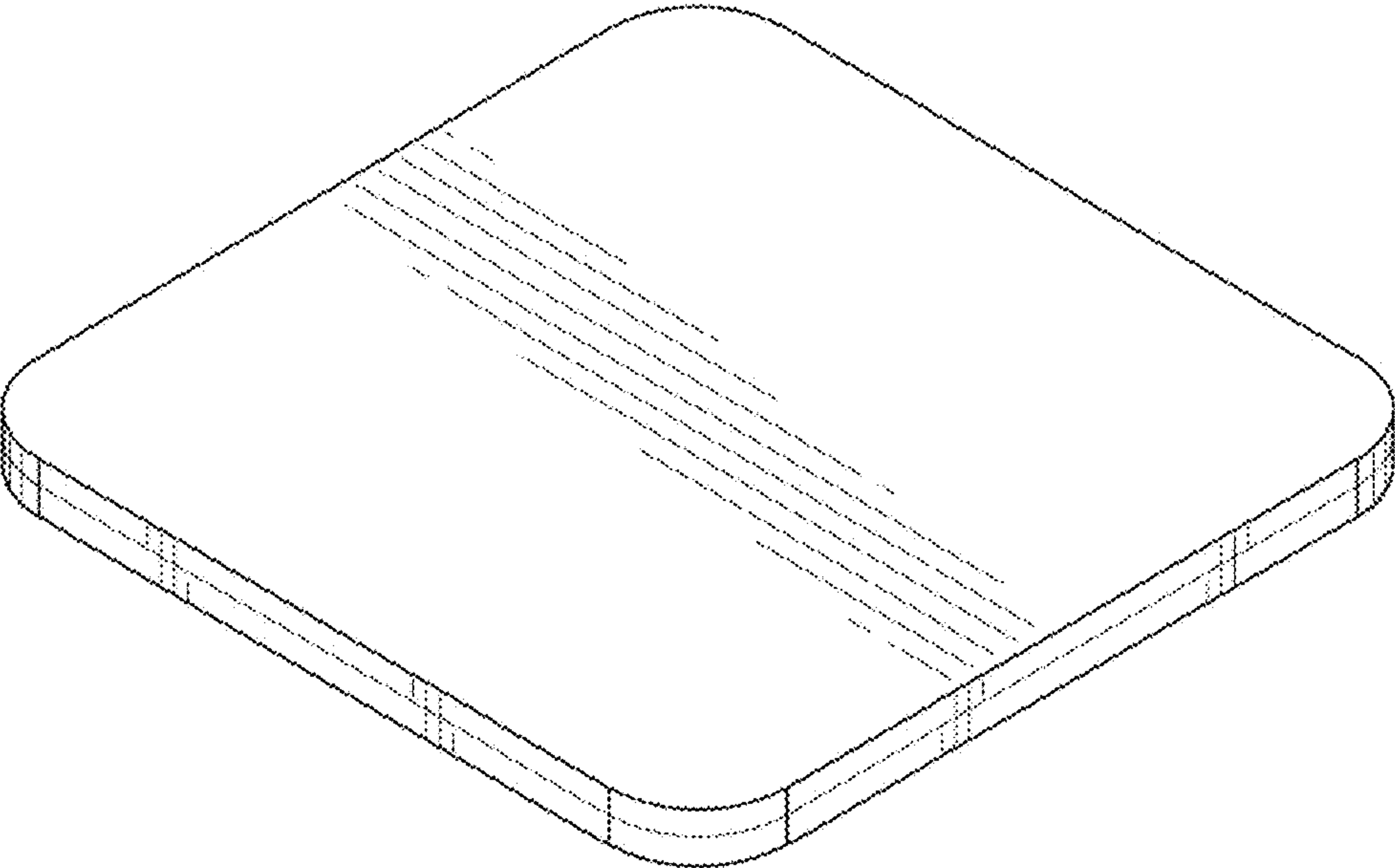


FIG. 2

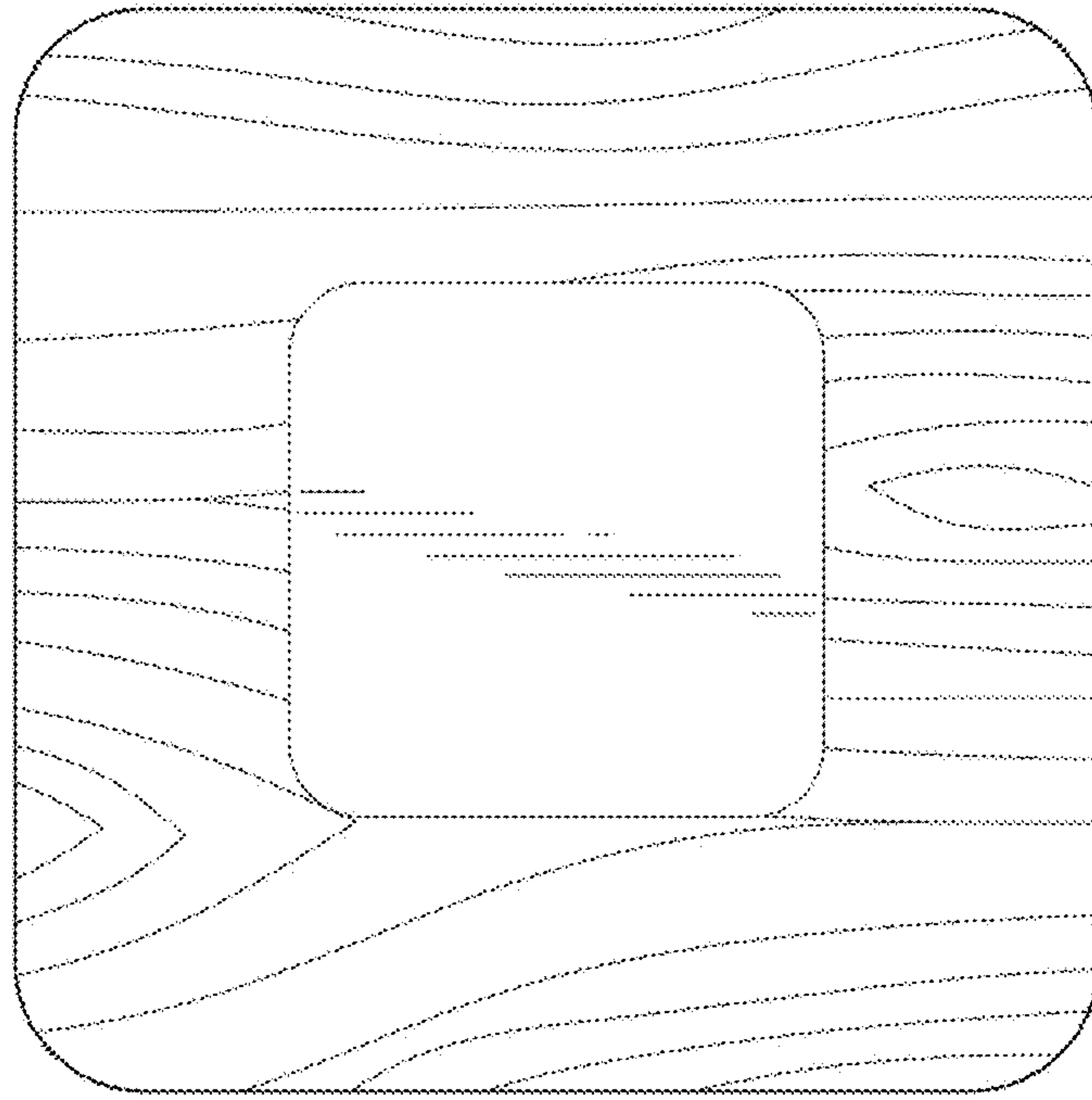


FIG. 3

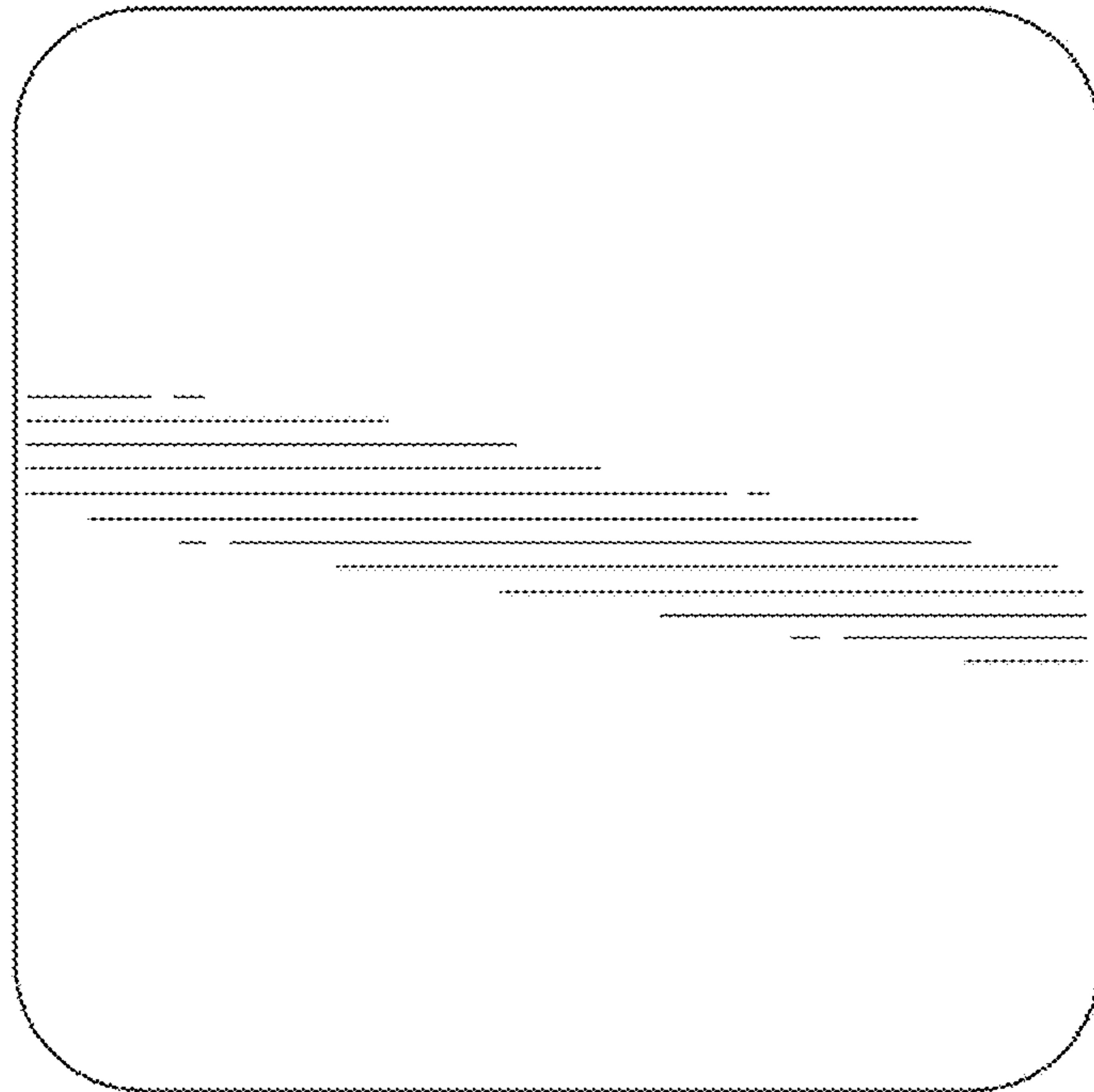


FIG. 4

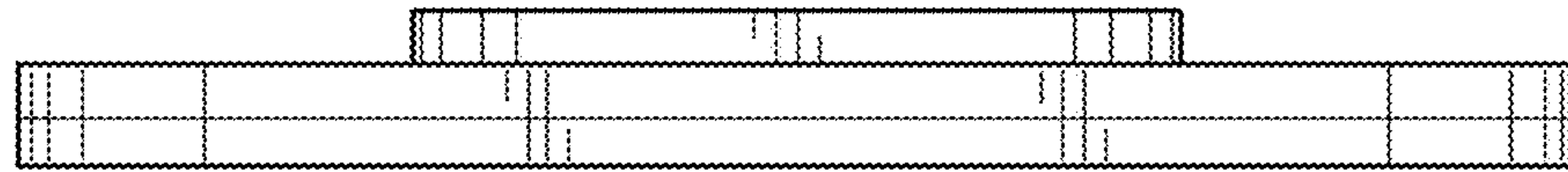


FIG. 5

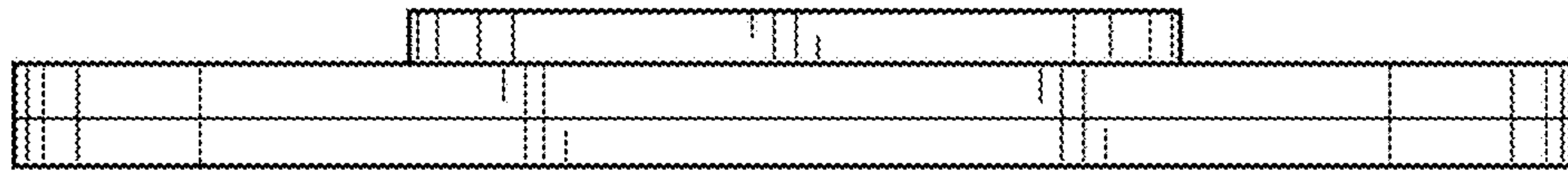


FIG. 6

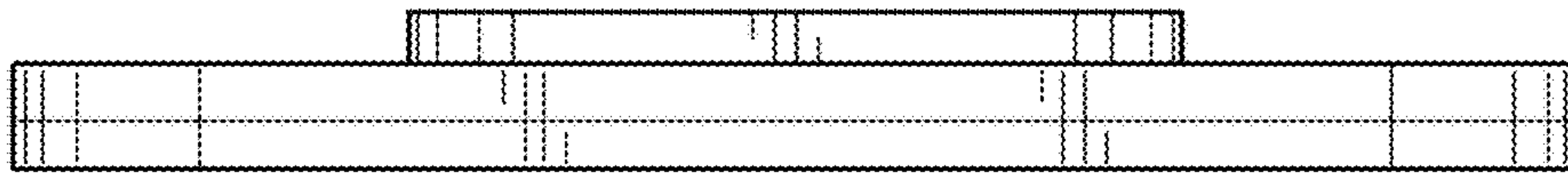


FIG. 7

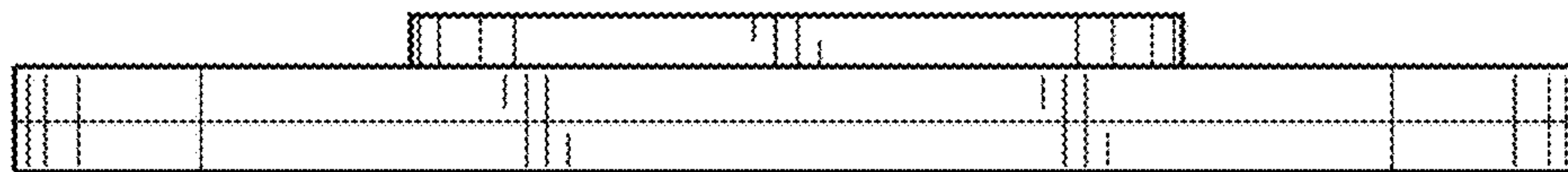


FIG. 8

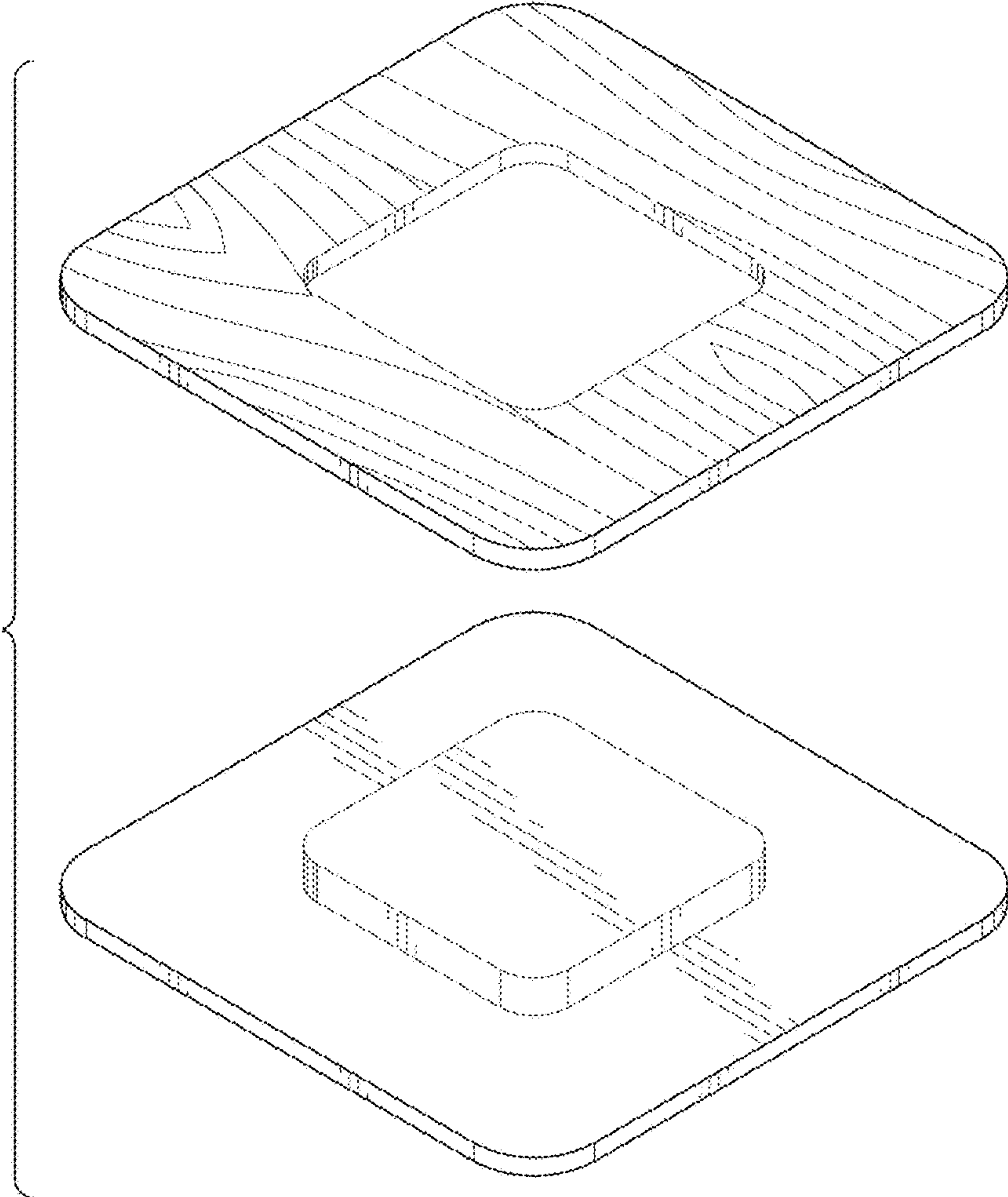


FIG. 9