



US00D798131S

(12) **United States Design Patent** (10) **Patent No.:** **US D798,131 S**
Agneessens (45) **Date of Patent:** **** Sep. 26, 2017**

(54) **COMBINED BRACKET AND SADDLE HOSE HANGER**

(71) Applicant: **Eric Agneessens**, Osprey, FL (US)

(72) Inventor: **Eric Agneessens**, Osprey, FL (US)

(**) Term: **15 Years**

(21) Appl. No.: **29/561,379**

(22) Filed: **Apr. 15, 2016**

(51) **LOC (10) Cl.** **08-05**

(52) **U.S. Cl.**
USPC **D8/373**

(58) **Field of Classification Search**
USPC D8/373, 356, 1, 354, 355, 380, 381, 349,
D8/358, 359, 499, 382; D21/476, 686;
D6/553, 681; 248/682, 75, 78, 89, 90,
248/80; 211/87.01, 32; 137/355.16,
137/355.18
CPC A47G 25/10; B65G 7/12; B65H 75/366
See application file for complete search history.

(56) **References Cited**

U.S. PATENT DOCUMENTS

2,937,759	A *	5/1960	Smith	A47G 25/10 211/32
D243,488	S *	3/1977	Linse	D23/239
6,059,215	A *	5/2000	Finnis	B65H 75/366 242/400.1
6,079,675	A *	6/2000	Hsu	B65G 7/12 248/68.1
D442,444	S *	5/2001	Bowling	D8/1
D462,254	S *	9/2002	Wright	B65H 75/366 D8/356
D462,603	S *	9/2002	Wright	B65H 75/366 D8/356
D554,979	S *	11/2007	Hsu	D8/356
D585,098	S *	1/2009	Rauwerdink	D21/686
D708,050	S *	7/2014	Sauer	D8/382
D724,934	S *	3/2015	Lu	D8/356

D769,644	S *	10/2016	Jacobson	D6/553
9,469,498	B2 *	10/2016	Harris	B65H 75/366
D775,693	S *	1/2017	Elson	D21/476
D775,858	S *	1/2017	Holm	D6/552
D785,380	S *	5/2017	King	D6/681
2001/0032910	A1 *	10/2001	Brueske	B65H 75/366 248/80

* cited by examiner

Primary Examiner — Manpreet Matharu

Assistant Examiner — Yolanda Robinson

(74) *Attorney, Agent, or Firm* — Dunlap Bennett & Ludwig PLLC

(57) **CLAIM**

The ornamental design for a combined bracket and saddle hose hanger, as shown and described.

DESCRIPTION

FIG. 1 is a perspective view of the combined bracket and saddle hose hanger;

FIG. 2 is a front view thereof;

FIG. 3 is a rear view thereof;

FIG. 4 is a left side view thereof;

FIG. 5 is a right side view thereof;

FIG. 6 is a top view thereof;

FIG. 7 is a bottom view thereof; and,

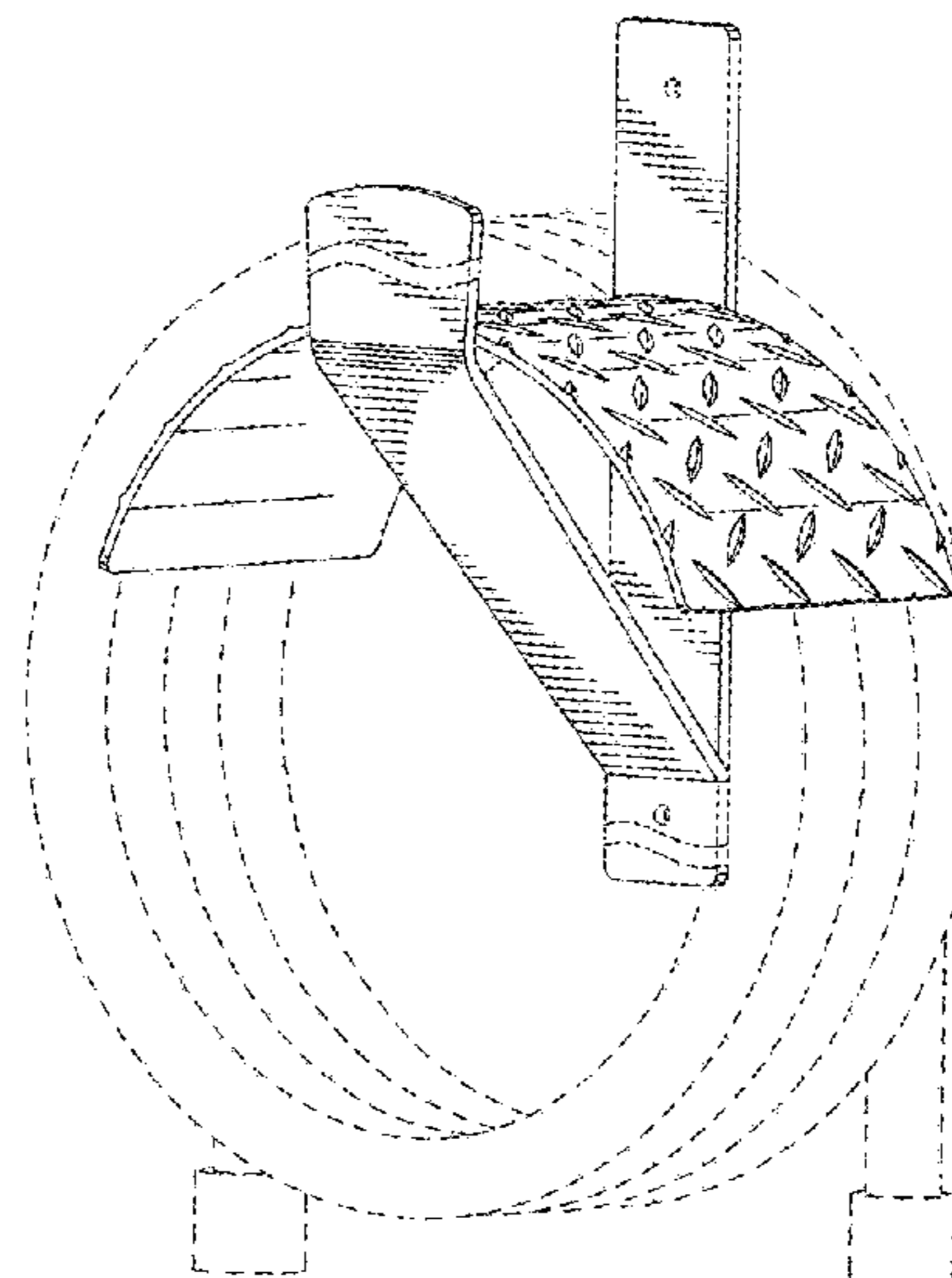
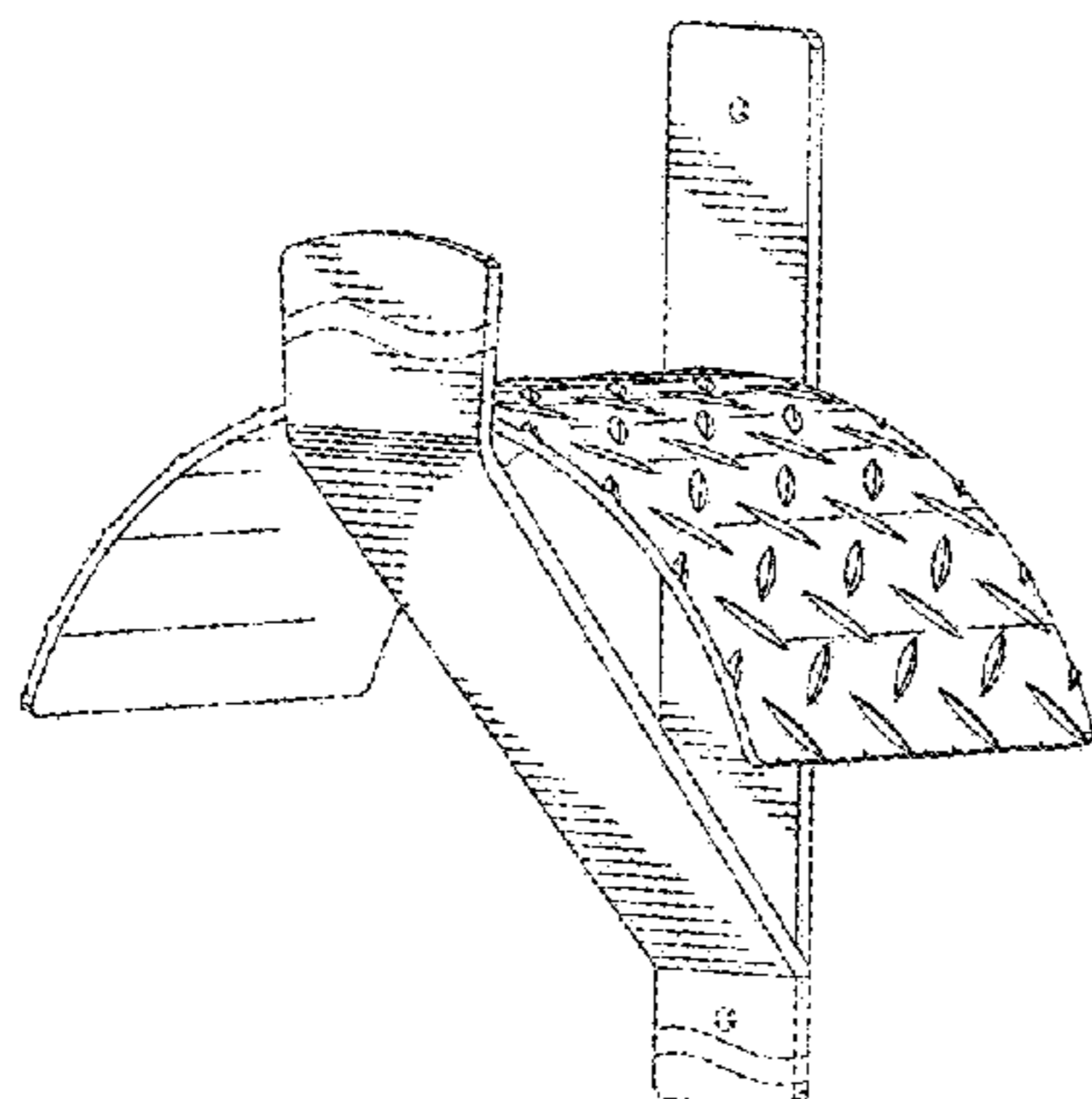
FIG. 8 is a perspective view of the combined bracket and saddle hose hanger shown in use.

The broken lines shown in the drawings illustrate portions of the combined bracket and saddle hose hanger that form no part of the claimed design.

The combined bracket and saddle hose hanger is shown with a symbolic break in its length. The appearance of any portion of the article between the break lines forms no part of the claimed design.

The broken lines in FIG. 8 showing the combined bracket and saddle hose hanger in use illustrates environment and forms no part of the claim.

1 Claim, 4 Drawing Sheets



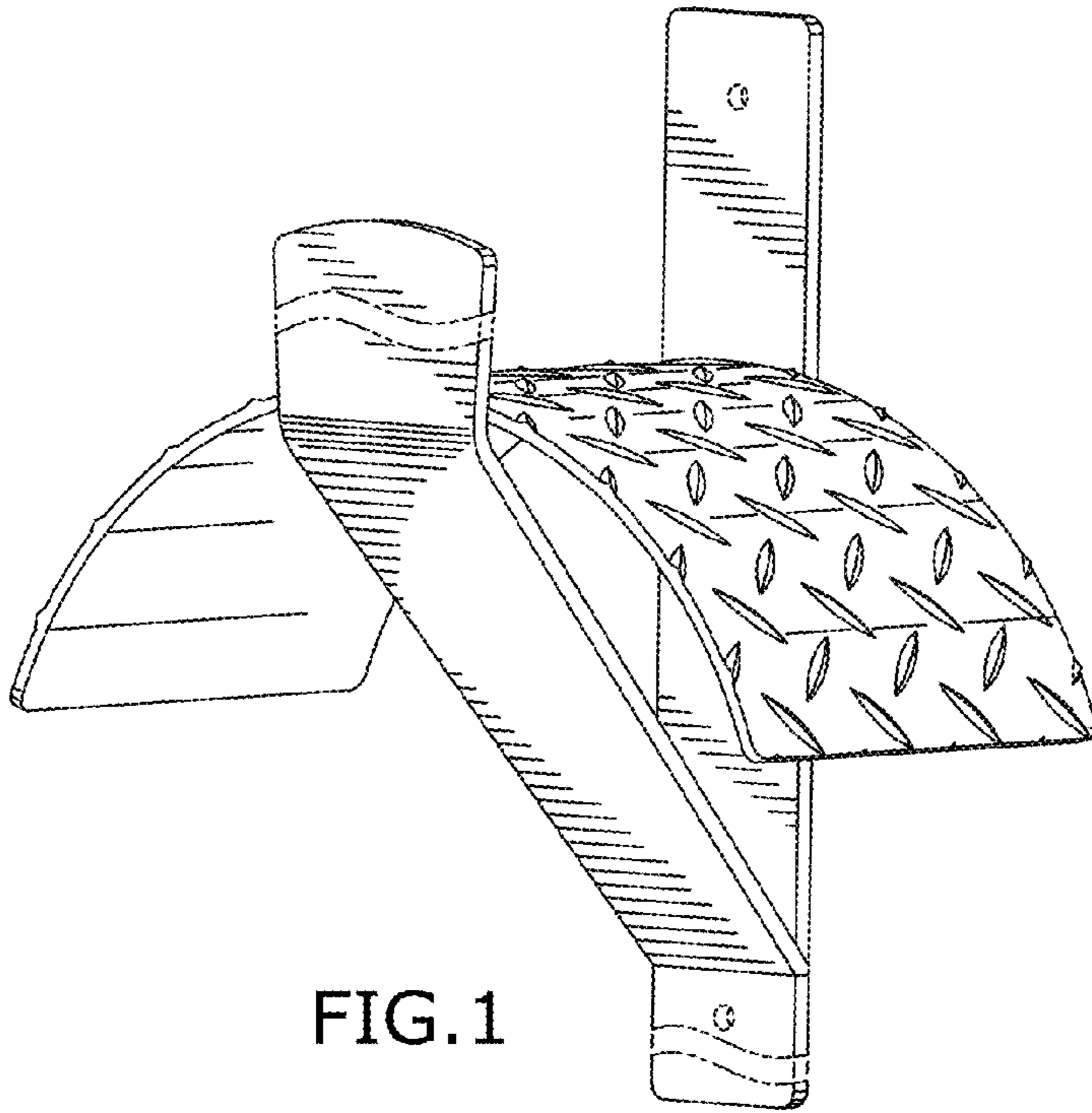


FIG. 1

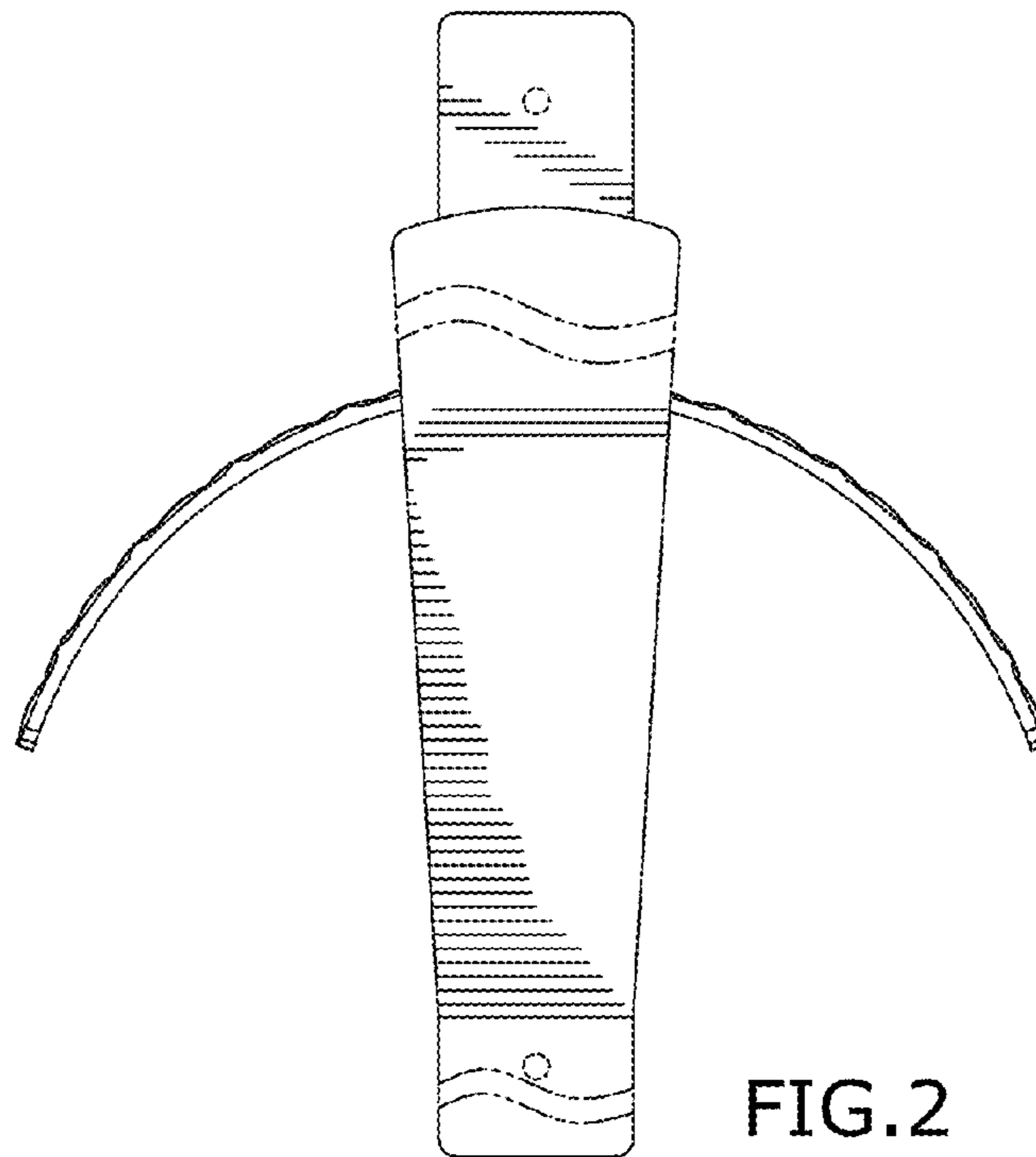


FIG. 2

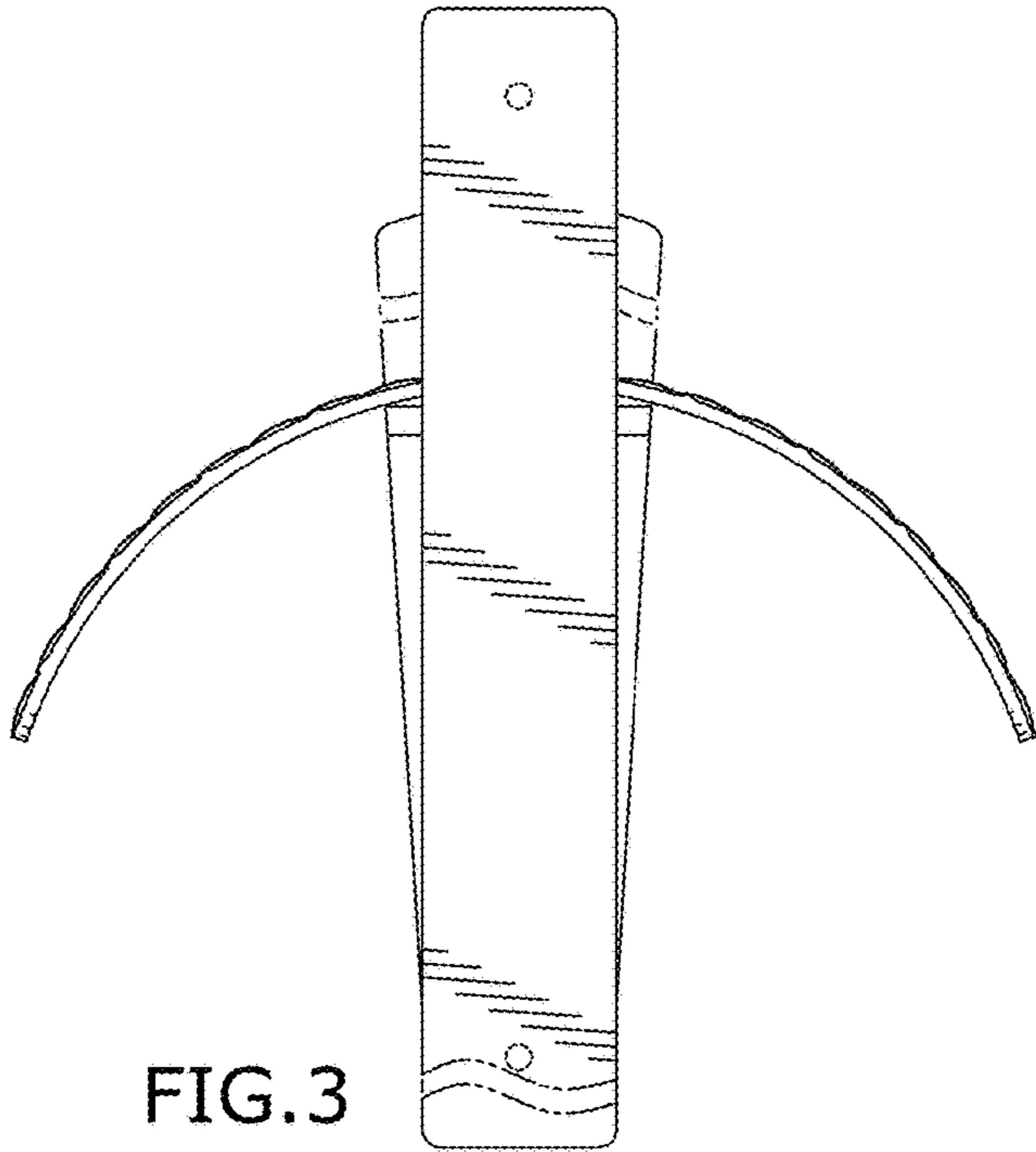


FIG. 3

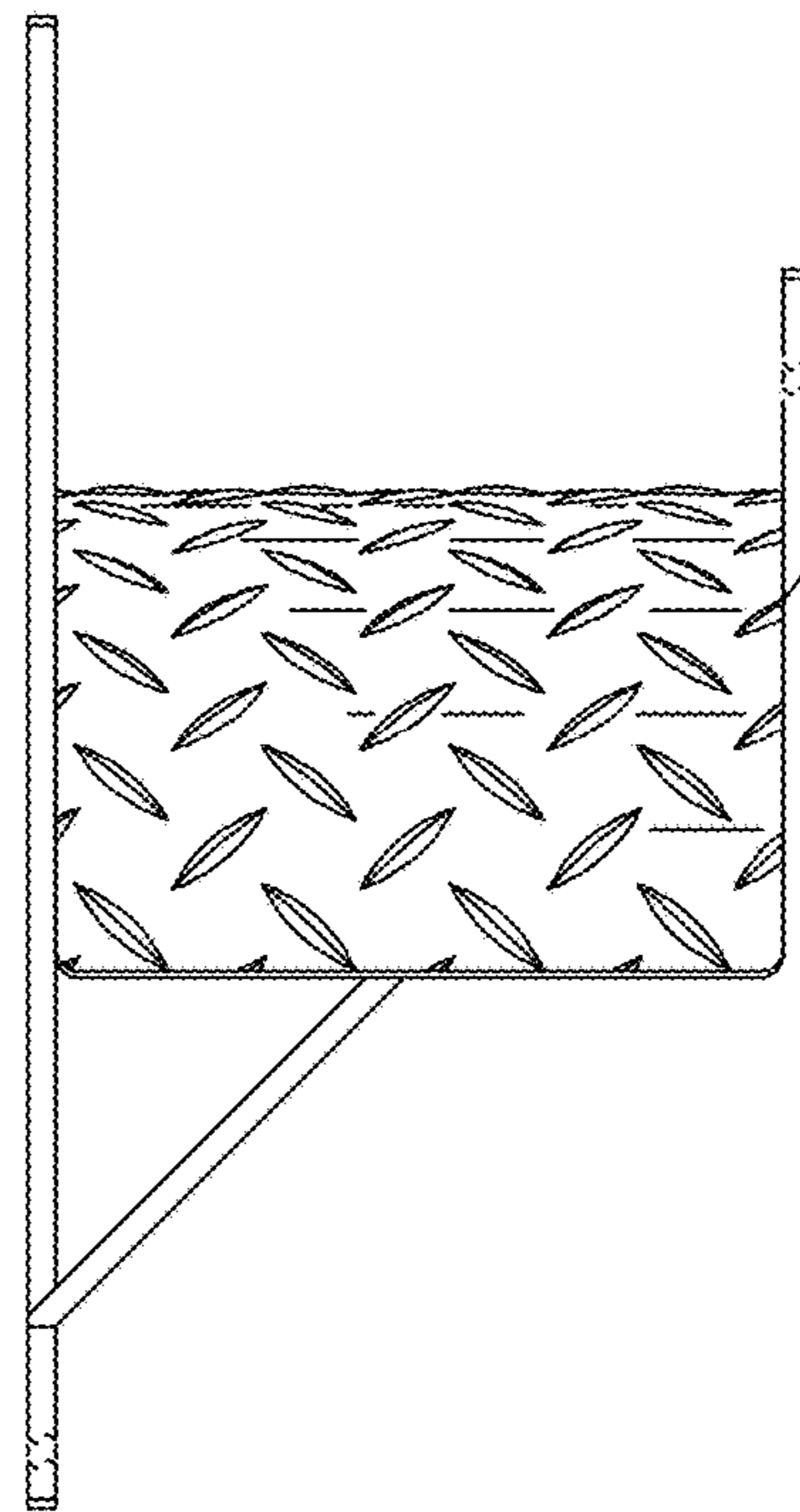


FIG. 4

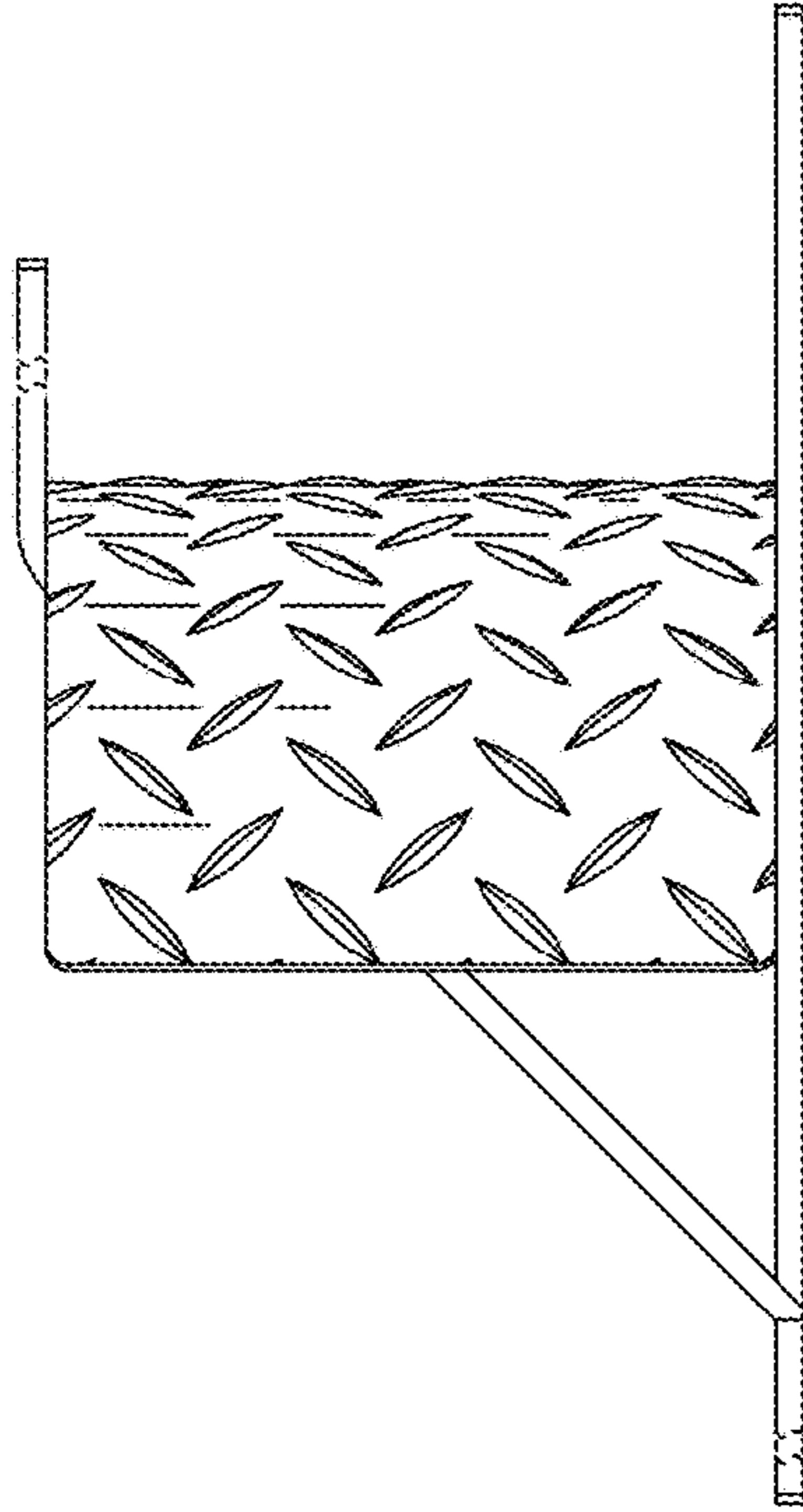


FIG. 5

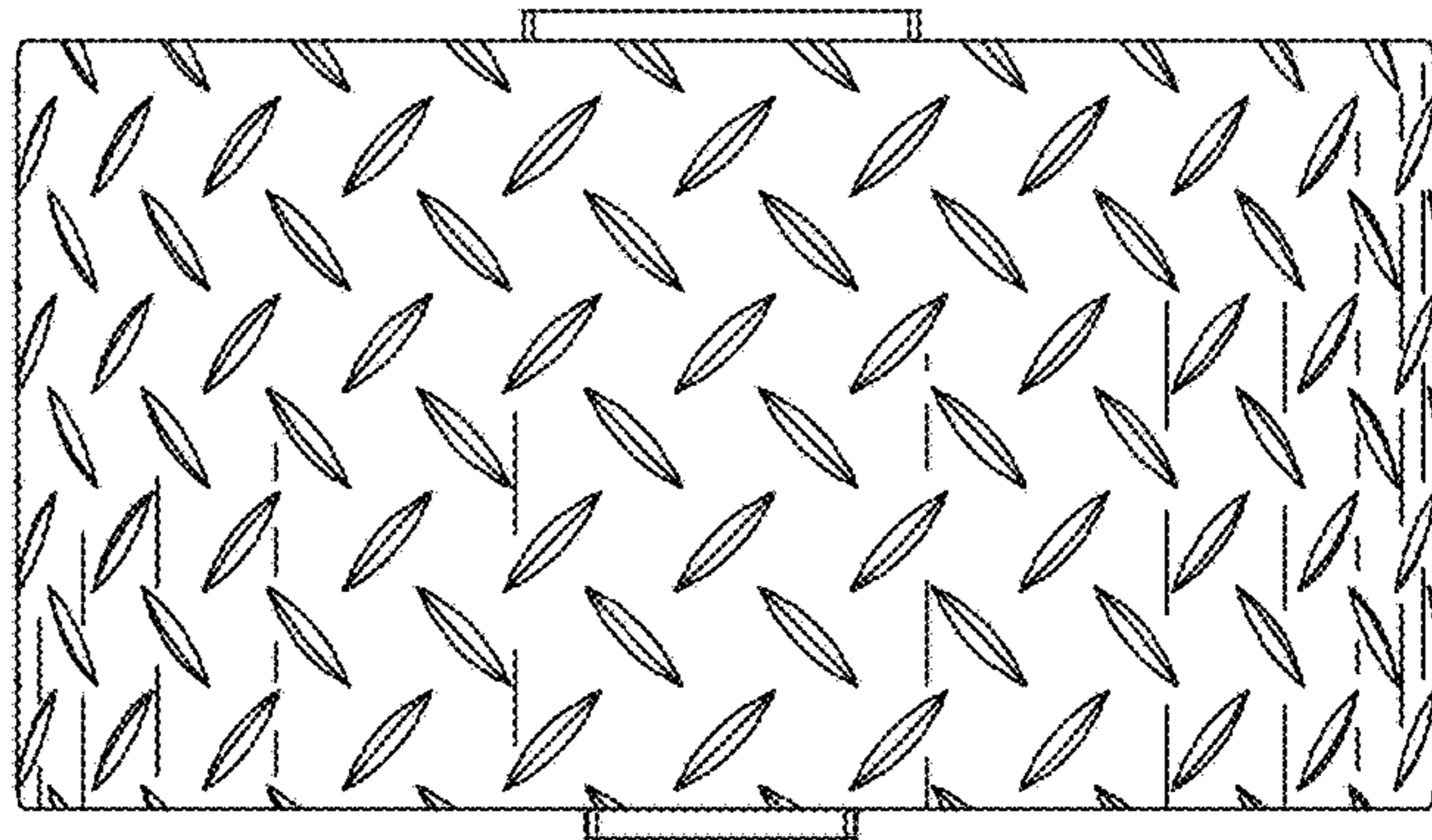


FIG. 6

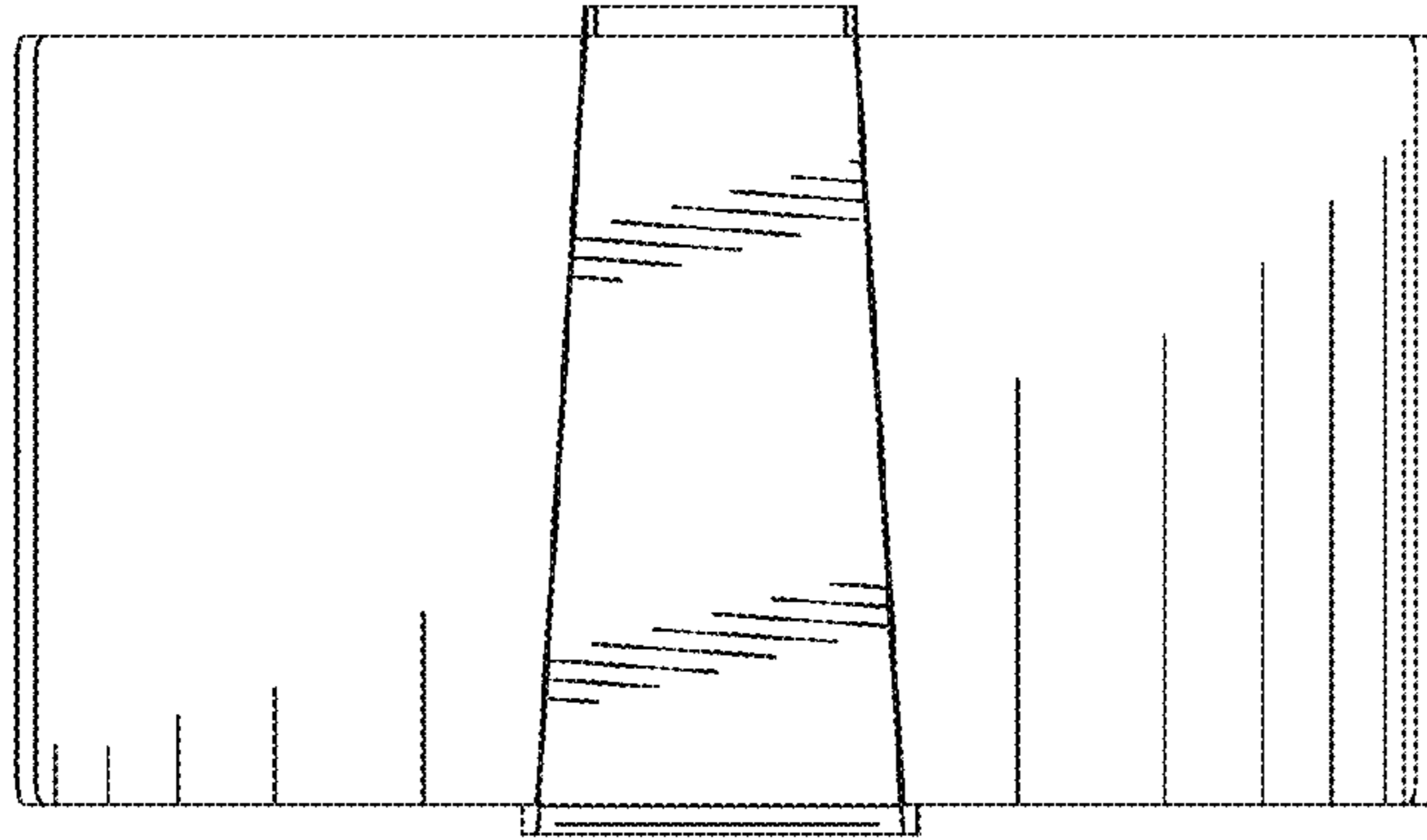


FIG. 7

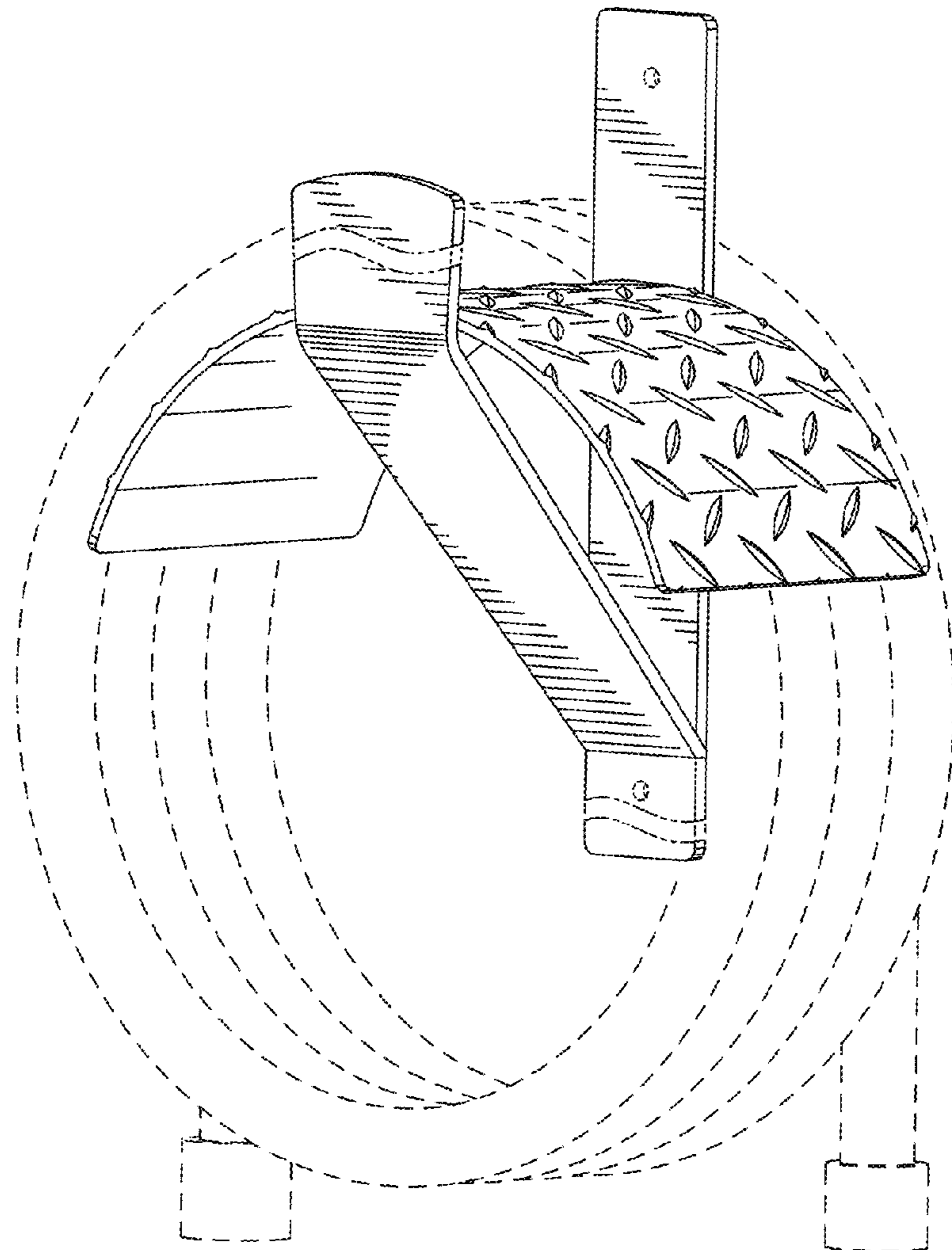


FIG. 8