



US00D798130S

(12) **United States Design Patent** (10) **Patent No.:** **US D798,130 S**
Chi (45) **Date of Patent:** **** Sep. 26, 2017**

(54) **D-RING**
(71) Applicant: **Razer Auto, Inc.**, Upland, CA (US)
(72) Inventor: **Samuel Chi**, Upland, CA (US)
(73) Assignee: **Razer Auto, Inc.**, Upland, CA (US)
(**) Term: **15 Years**
(21) Appl. No.: **29/586,923**
(22) Filed: **Dec. 7, 2016**
(51) **LOC (10) Cl.** **08-05**
(52) **U.S. Cl.**
USPC **D8/367**
(58) **Field of Classification Search**
USPC D8/367, 354, 349, 394, 372, 398, 382,
D8/356; D3/228; 224/247, 197;
248/220.43, 220.42; D13/156; D34/27;
D11/218; D22/108
CPC F16L 3/13; F16L 3/26; A47G 23/0225;
A47G 25/06; A47G 1/16; A47F 5/0846;
A47F 5/02; A47F 5/0823; H02G 11/003;
D06F 55/00; E04H 17/10; A45F 5/02;
F16B 45/02
See application file for complete search history.

(56) **References Cited**
U.S. PATENT DOCUMENTS
D435,807 S 1/2001 Anscher
D455,191 S * 4/2002 Norris, Sr. D22/108
D625,654 S 10/2010 Spater

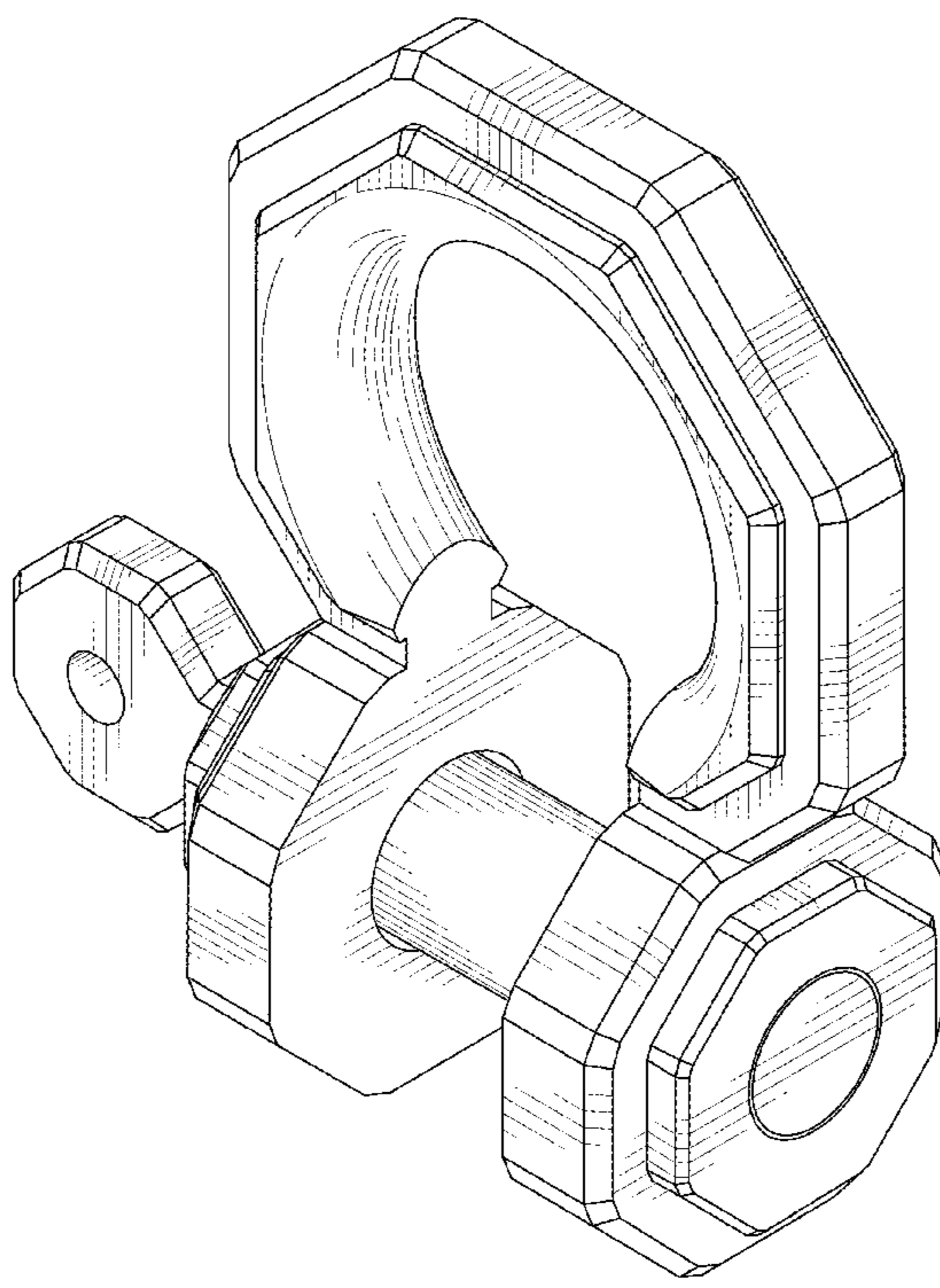
D671,293 S * 11/2012 Fredriksson D34/35
D673,880 S 1/2013 Boothby
D680,902 S 4/2013 Chan
D683,262 S * 5/2013 Fitzpatrick D11/218
D699,098 S * 2/2014 Fretz D8/367
D702,311 S * 4/2014 Fitzpatrick D22/108
D702,595 S 4/2014 Fretz
D704,095 S 5/2014 Kowalewski
D725,221 S * 3/2015 Geissele D22/108
D739,303 S * 9/2015 Kinskey D11/218
D740,645 S * 10/2015 Koreishi D8/367
D748,013 S 1/2016 Spater
D769,705 S * 10/2016 Moreau D11/201
D778,144 S * 2/2017 Anderson D8/367
2013/0305582 A1* 11/2013 Mayberry F41C 33/006
42/85

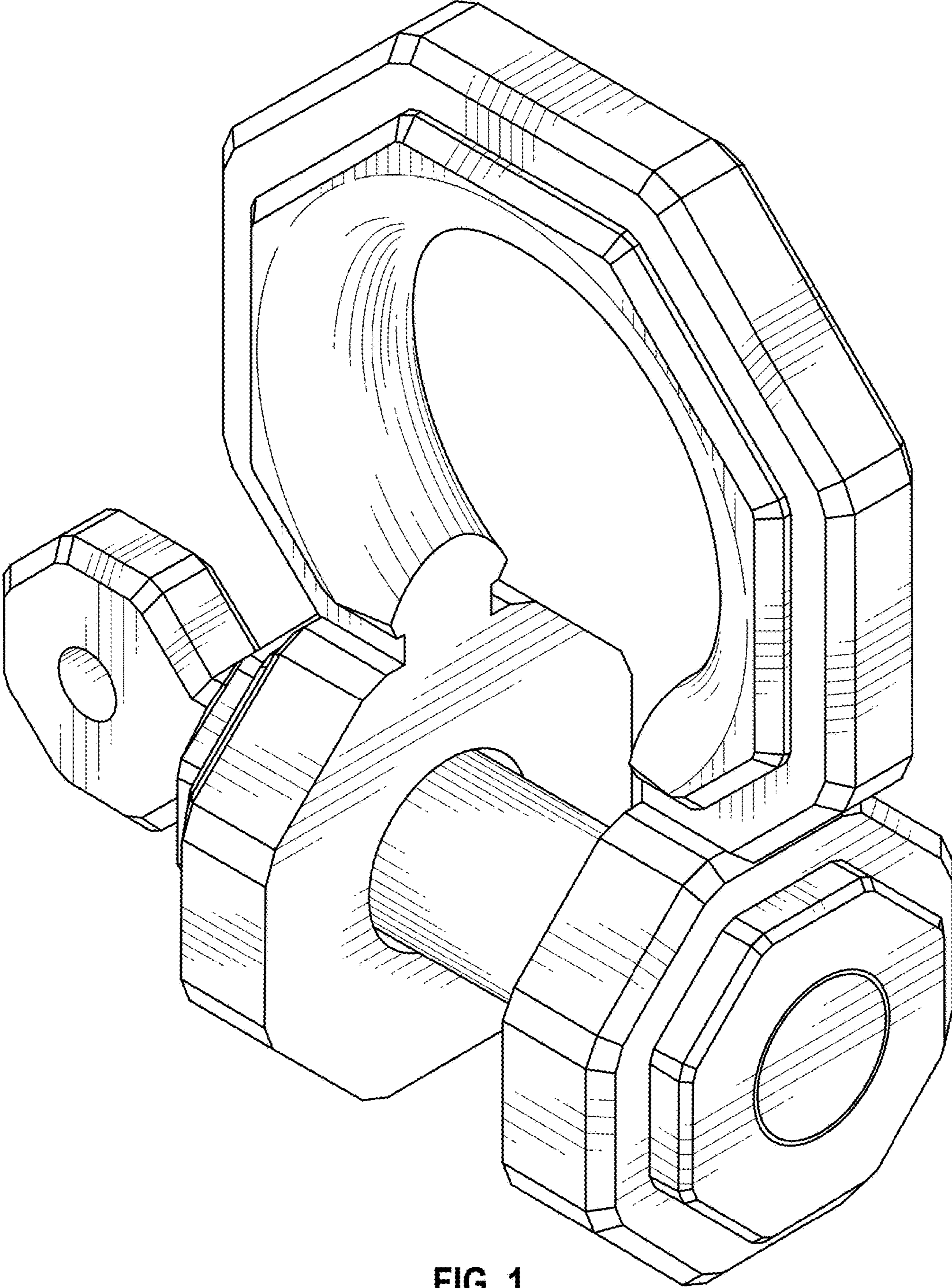
* cited by examiner
Primary Examiner — Cynthia Underwood
(74) *Attorney, Agent, or Firm* — Eric Kelly

(57) **CLAIM**
The ornamental design for a D-ring, as shown and described.

DESCRIPTION
FIG. 1 illustrates a perspective view of a D-ring, according to one embodiment;
FIG. 2 illustrates a front view thereof;
FIG. 3 illustrates a back view thereof;
FIG. 4 illustrates a left-side view thereof;
FIG. 5 illustrates a right-side view thereof;
FIG. 6 illustrates a top view thereof; and,
FIG. 7 illustrates a bottom view thereof.

1 Claim, 6 Drawing Sheets





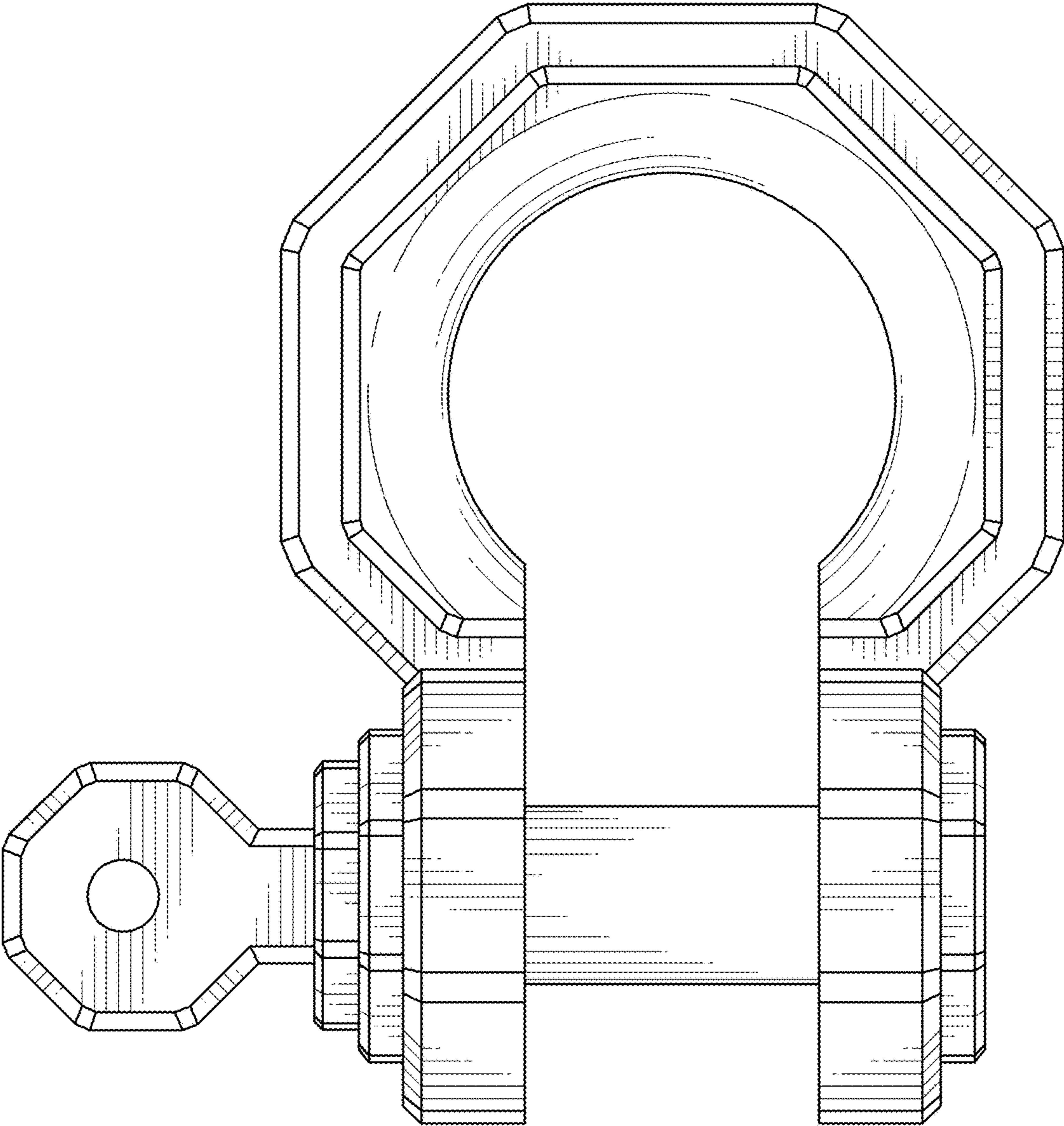


FIG. 2

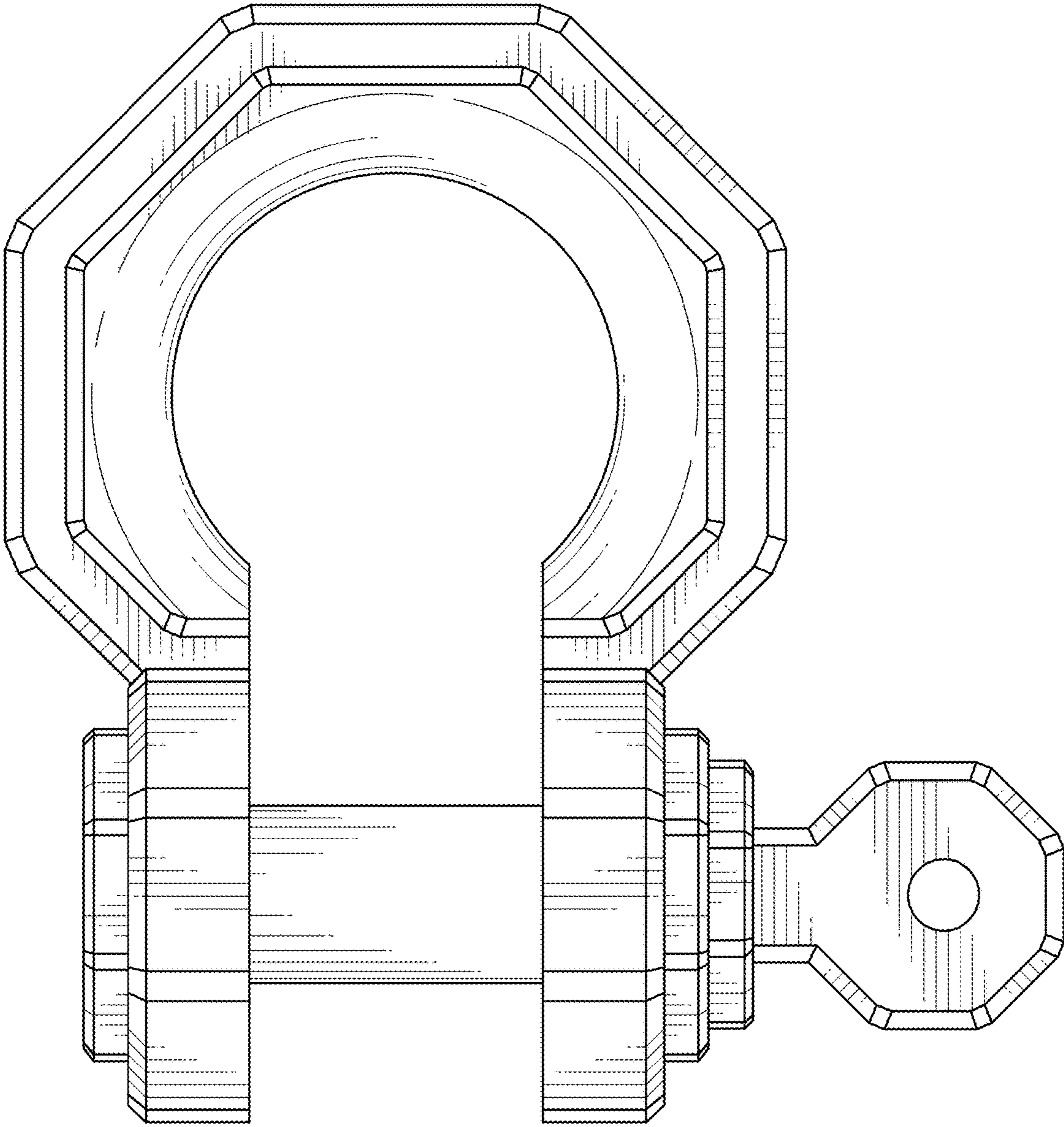


FIG. 3

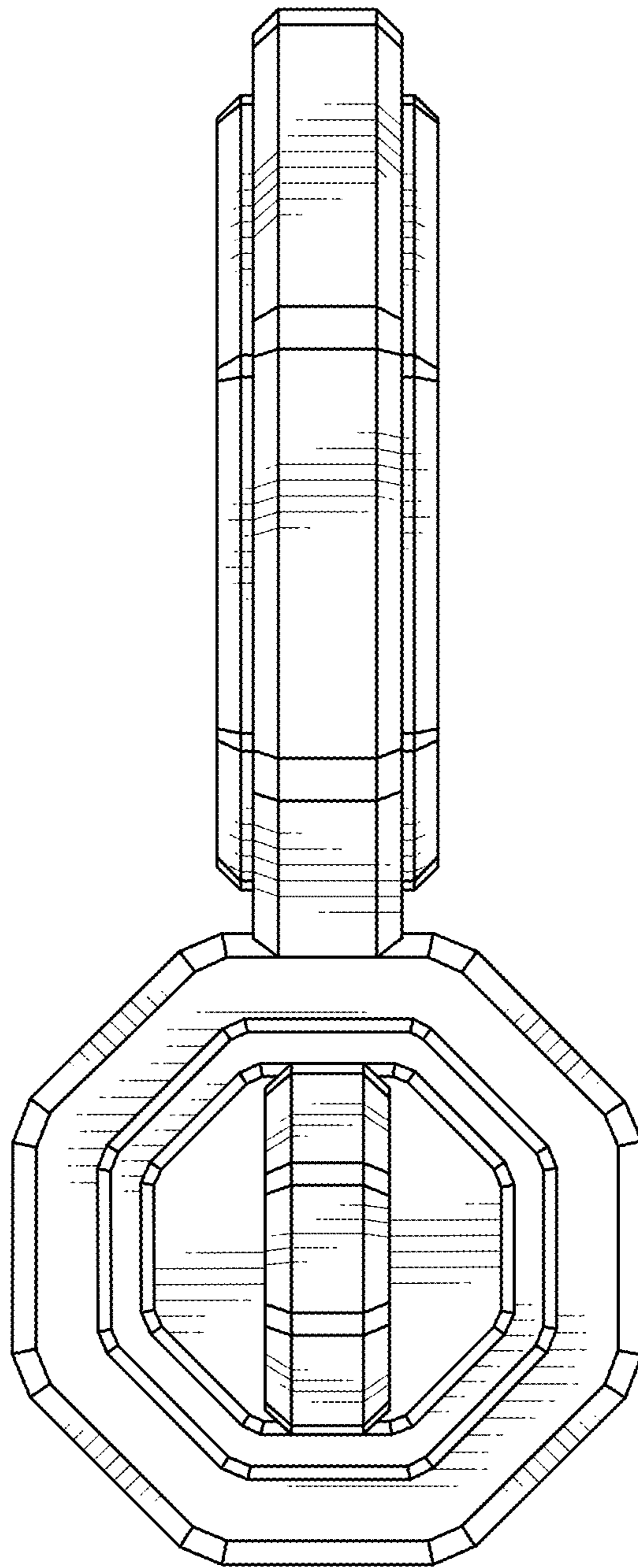


FIG. 4

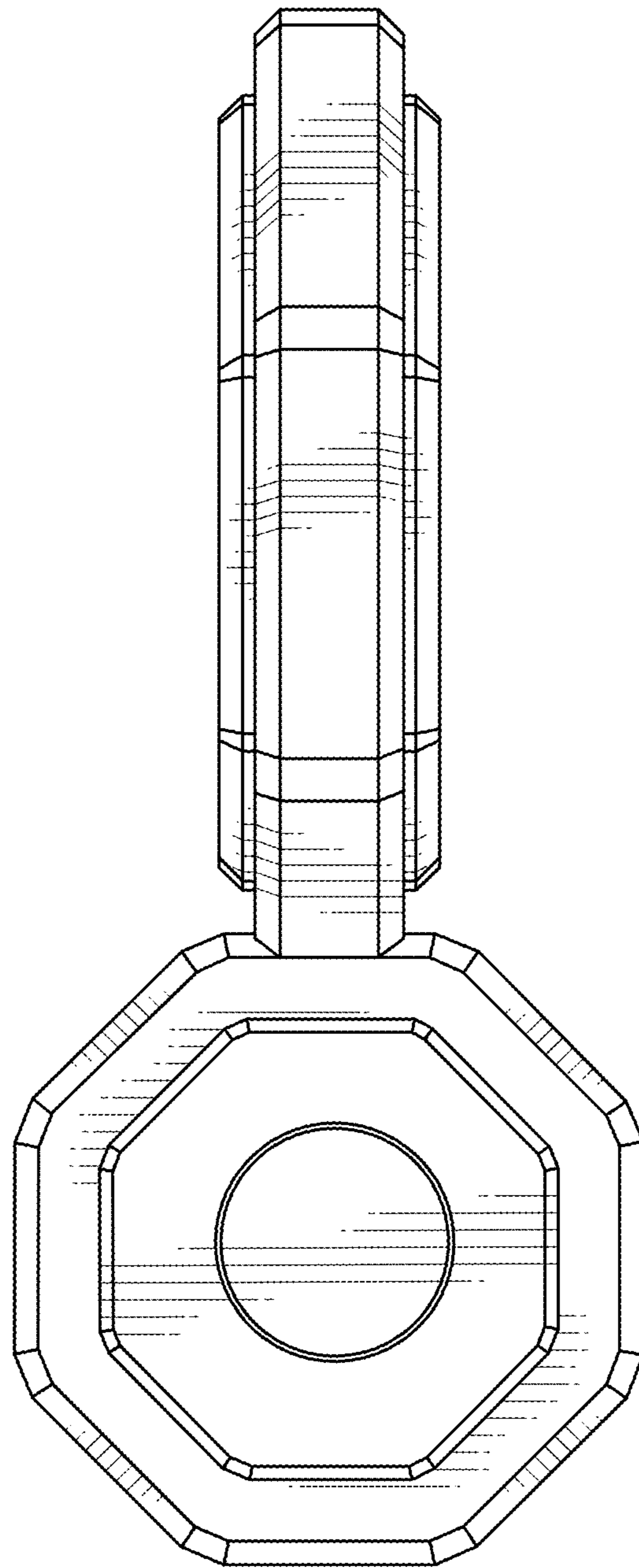


FIG. 5

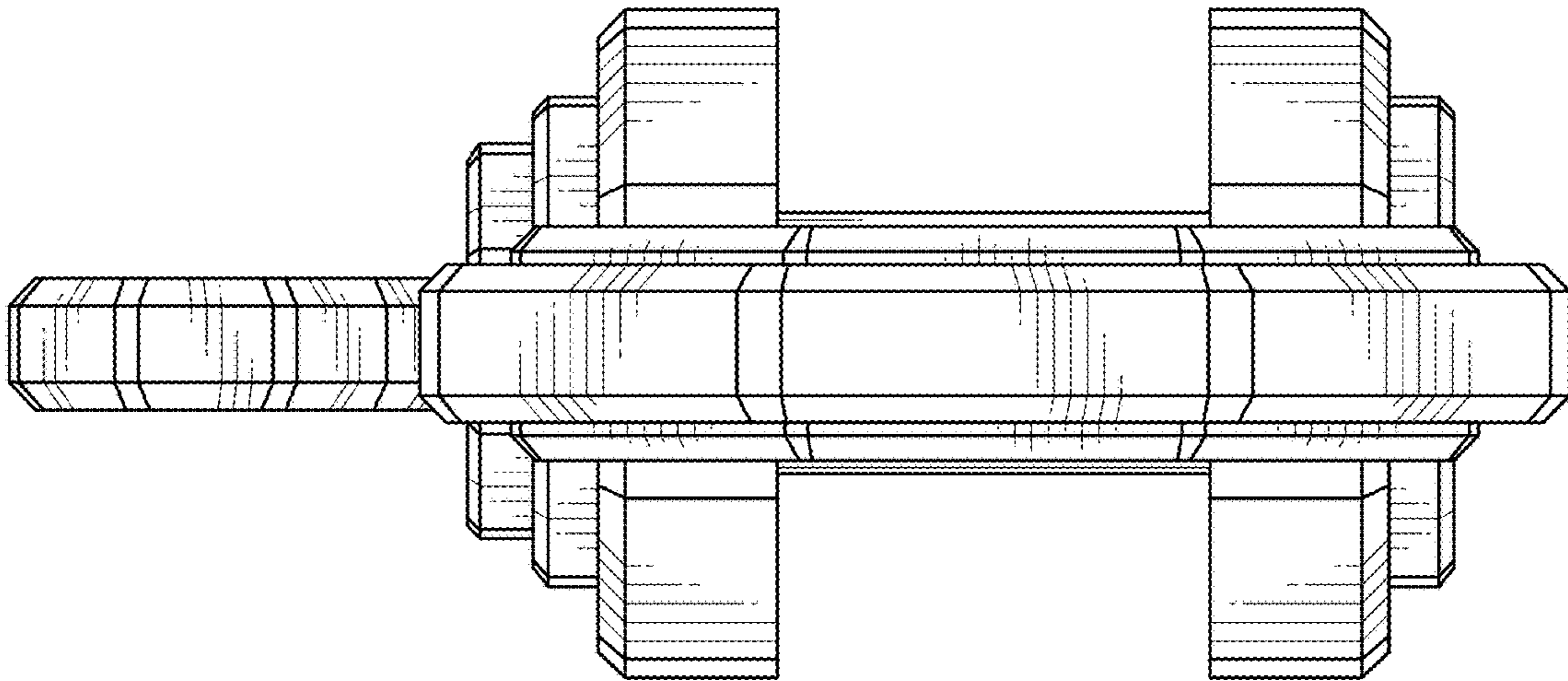


FIG. 6

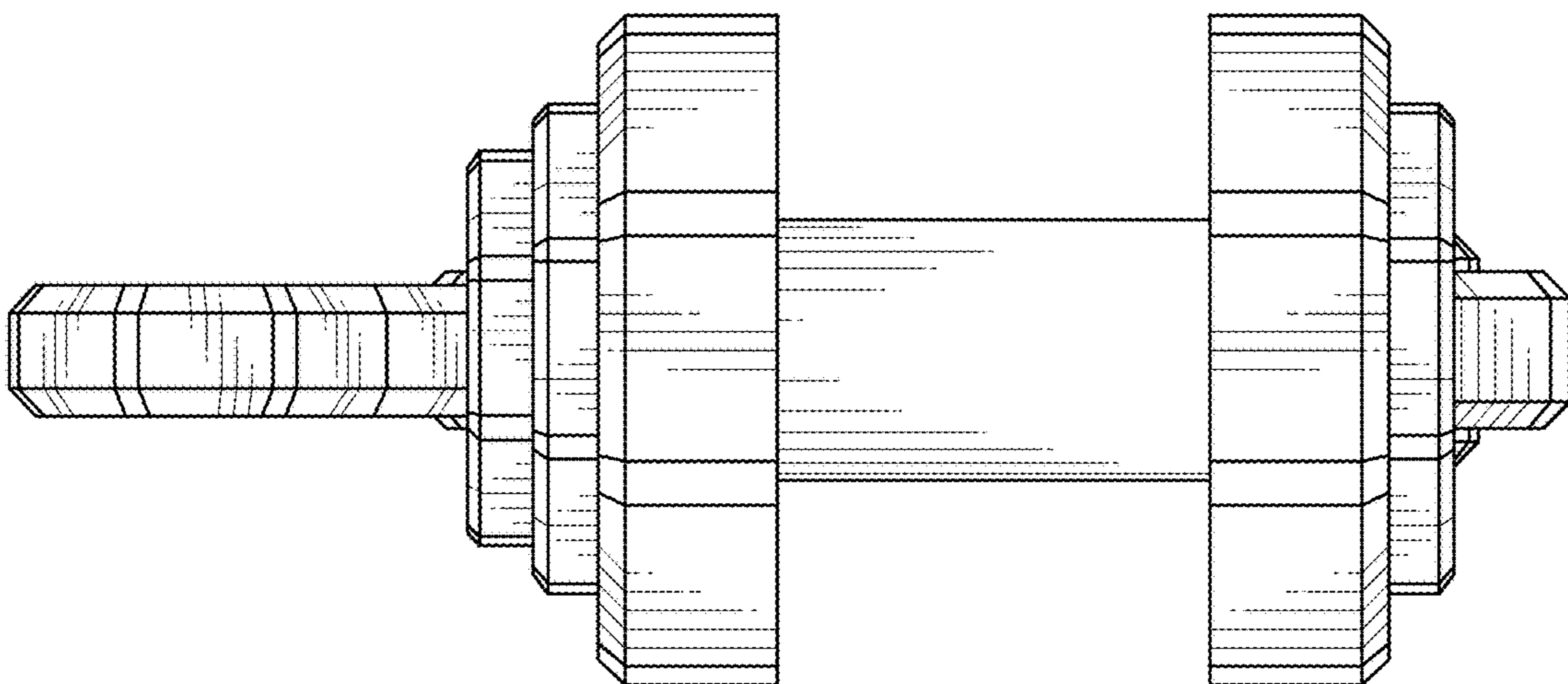


FIG. 7