



US00D798129S

(12) **United States Design Patent** (10) **Patent No.:** **US D798,129 S**  
**Bertani** (45) **Date of Patent:** **\*\* Sep. 26, 2017**

(54) **HANDWHEEL**

(71) Applicant: **ELESA S.P.A.**, Milan (IT)

(72) Inventor: **Alberto Bertani**, Monza (IT)

(\*\*) Term: **15 Years**

(21) Appl. No.: **35/500,092**

(22) Filed: **Jun. 15, 2015**

(80) **Hague Agreement Data**

Int. Filing Date: **Jun. 15, 2015**

Int. Reg. No.: **DM/087137**

Int. Reg. Date: **Jun. 15, 2015**

Int. Reg. Pub. Date: **Aug. 14, 2015**

(51) **LOC (10) Cl.** ..... **08-06**

(52) **U.S. Cl.**  
USPC ..... **D8/309**

(58) **Field of Classification Search**  
USPC ..... D8/300–310; 74/522–557; 16/110.1,  
16/429, 432; D12/174–178

See application file for complete search history.

(56) **References Cited**

U.S. PATENT DOCUMENTS

D493,348 S \* 7/2004 Bertani ..... D15/142  
D575,619 S \* 8/2008 Bertani ..... D8/309

\* cited by examiner

*Primary Examiner* — Richard E Chilcot

(74) *Attorney, Agent, or Firm* — Pearne & Gordon LLP

(57) **CLAIM**

The ornamental design for a handwheel, as shown and described.

**DESCRIPTION**

1. Handwheel

**1.1** is a rear view of a handwheel showing my new design;

**1.2** is a left side view thereof;

**1.3** is a perspective view thereof;

**1.4** is another side view thereof;

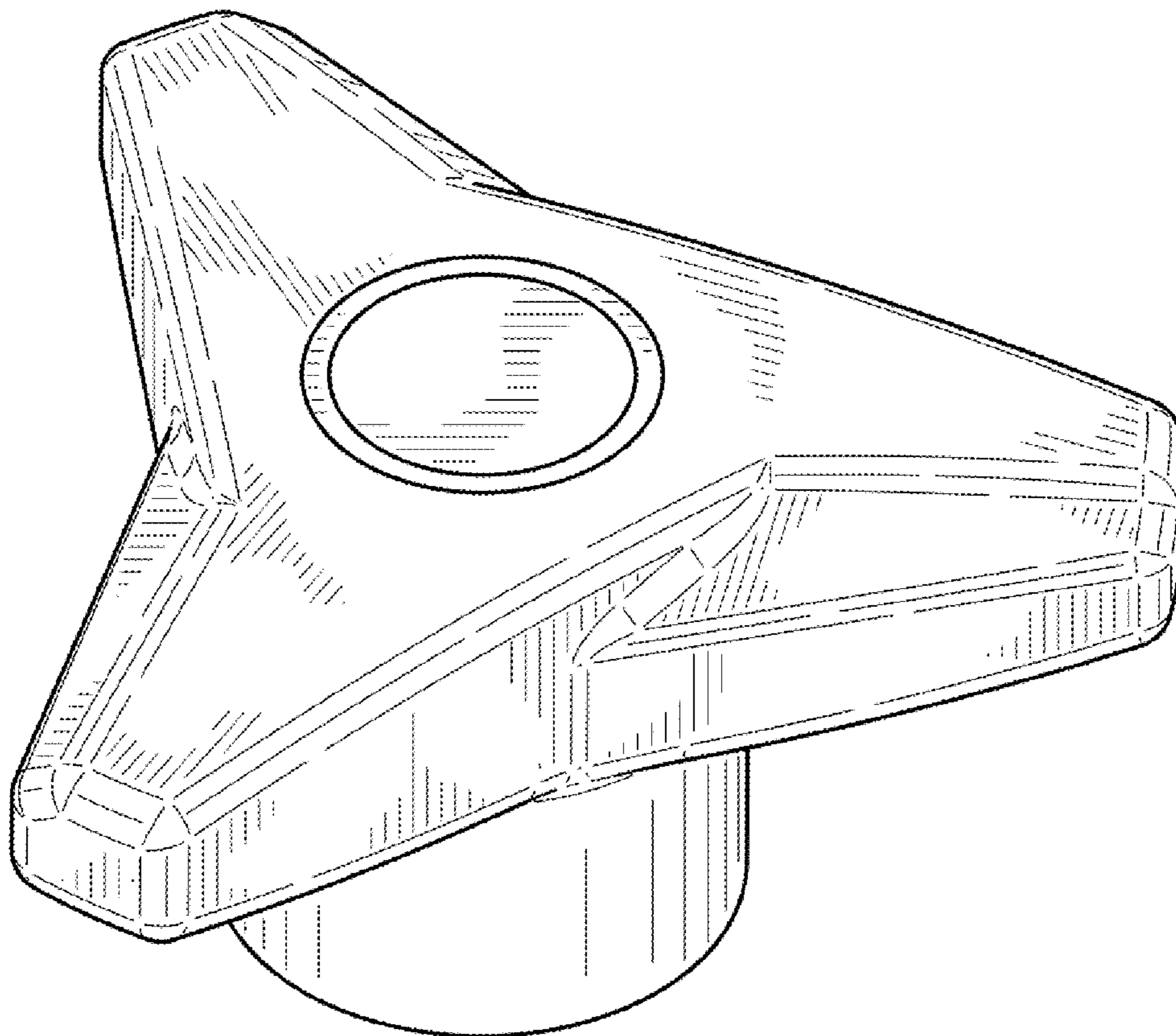
**1.5** is a bottom view thereof;

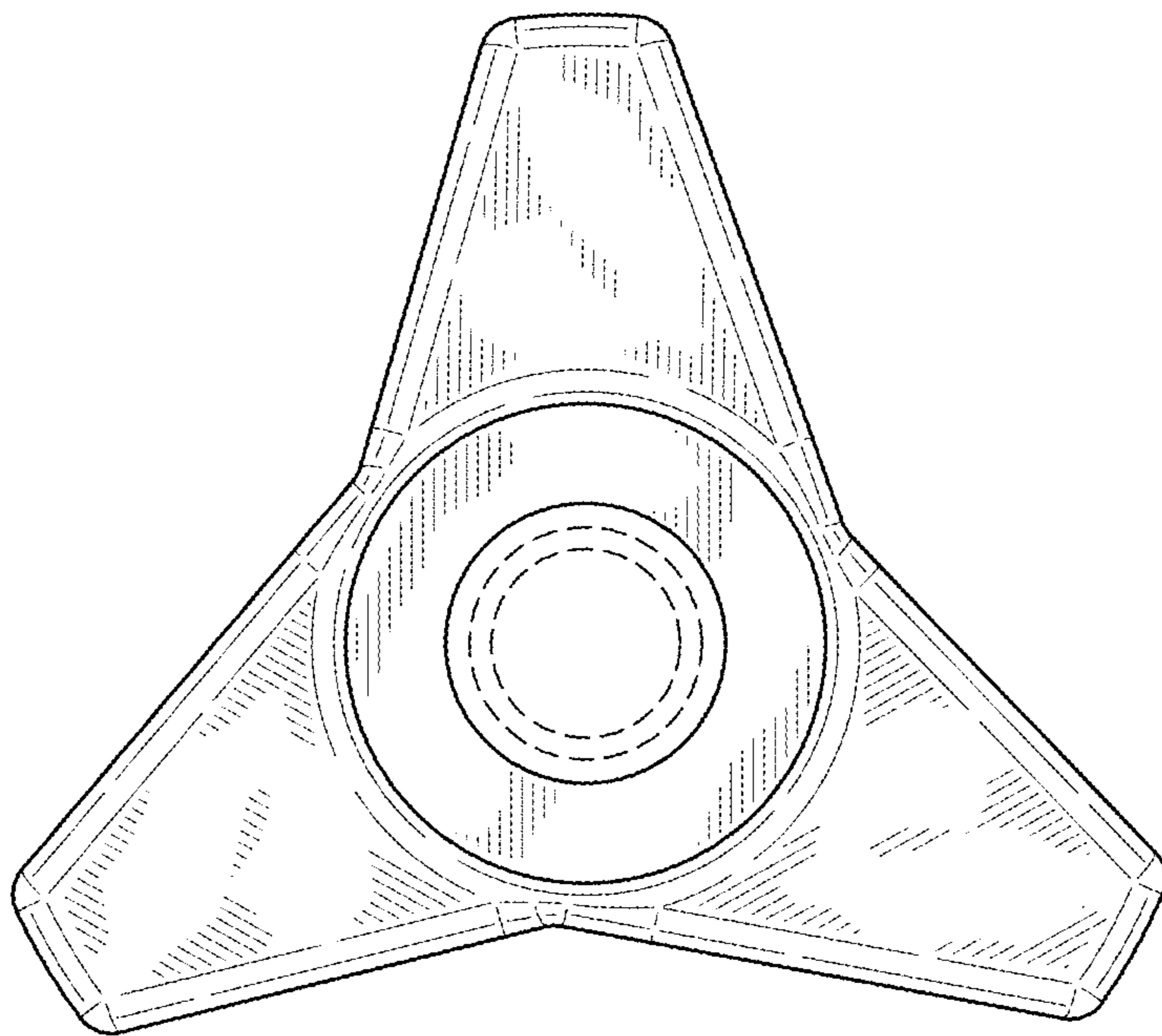
**1.6** is right side view thereof; and

**1.7** is a top view thereof.

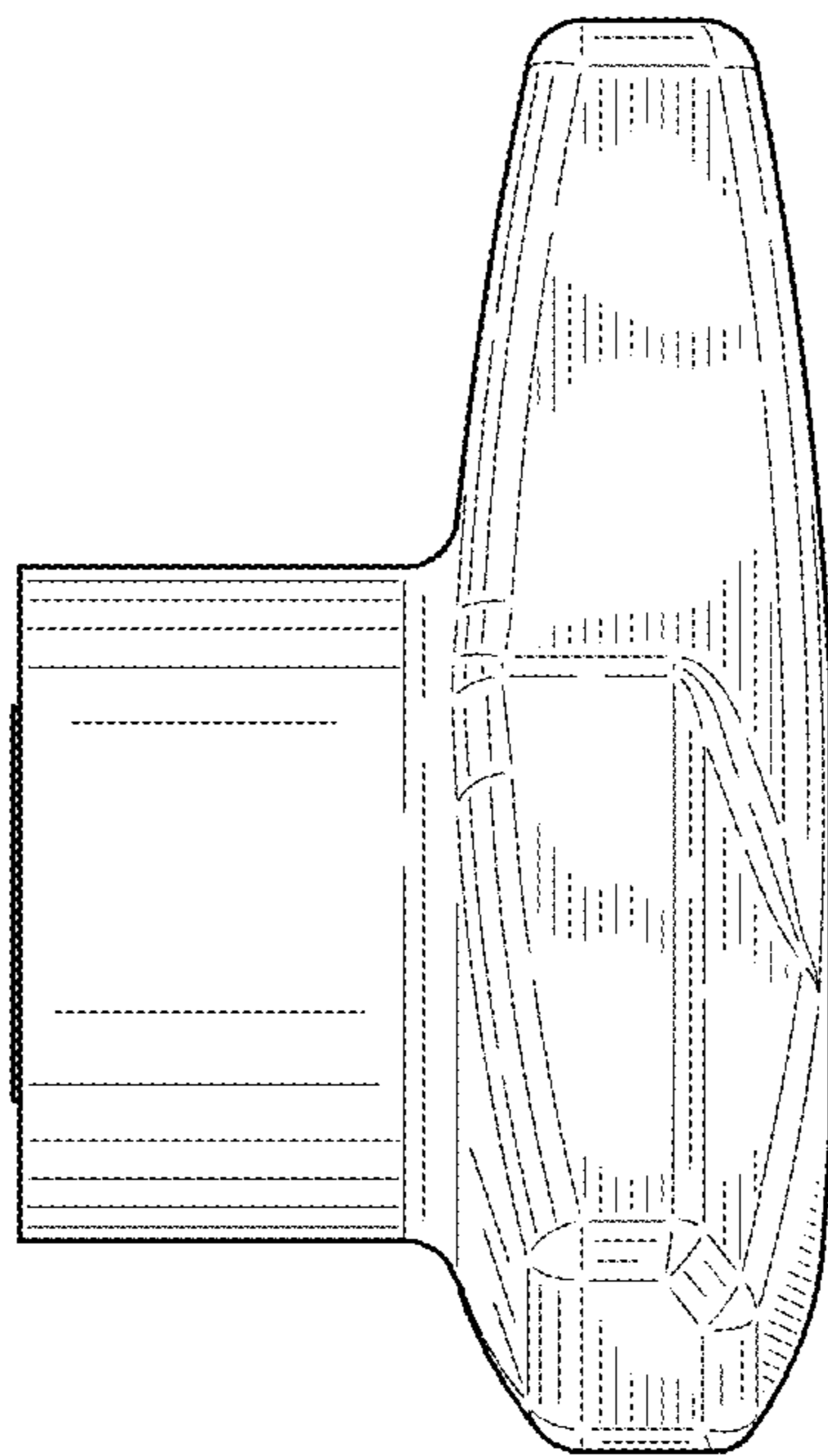
The portions of the handwheel shown in broken lines form no part of the claimed design.

**1 Claim, 7 Drawing Sheets**

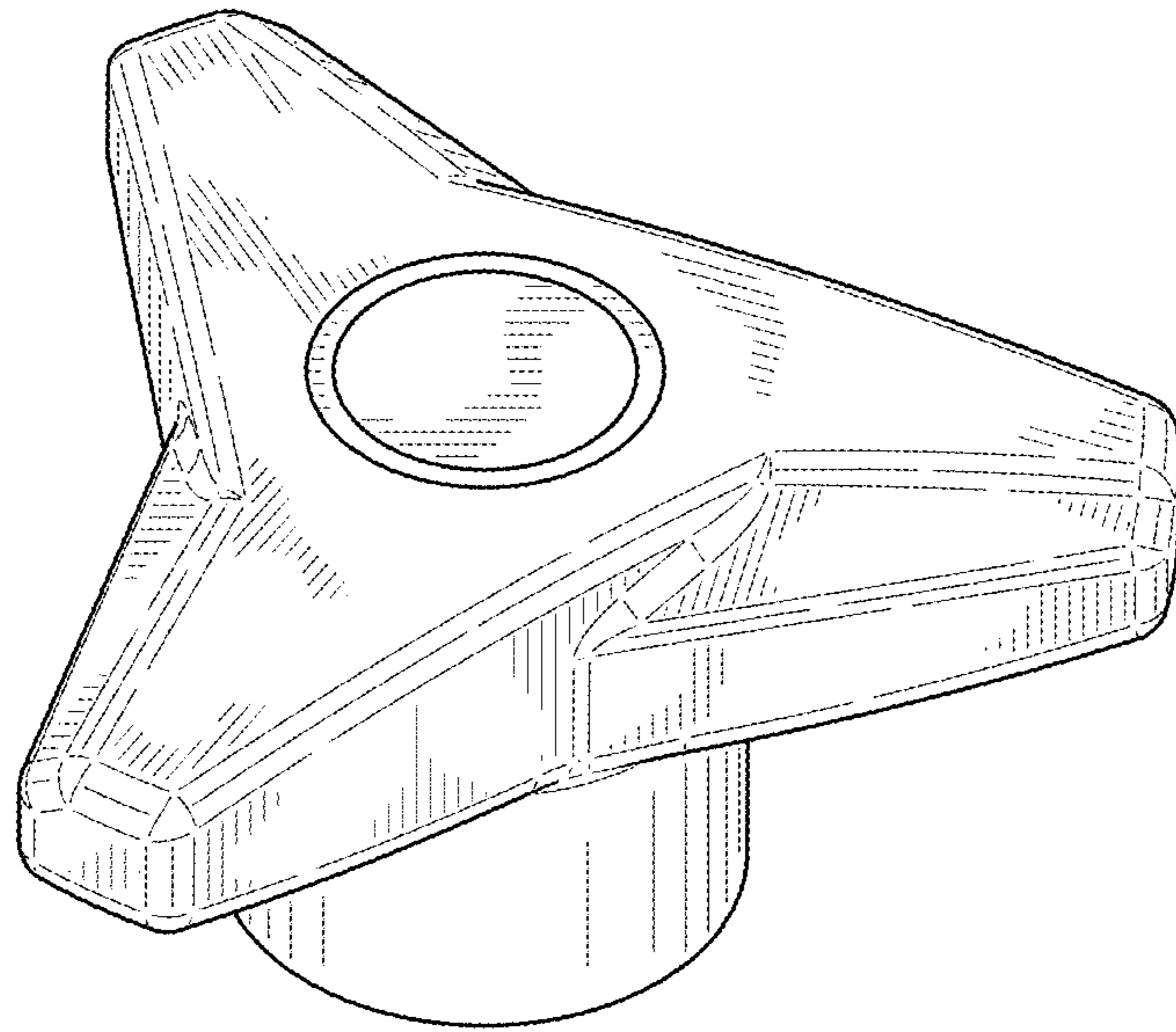




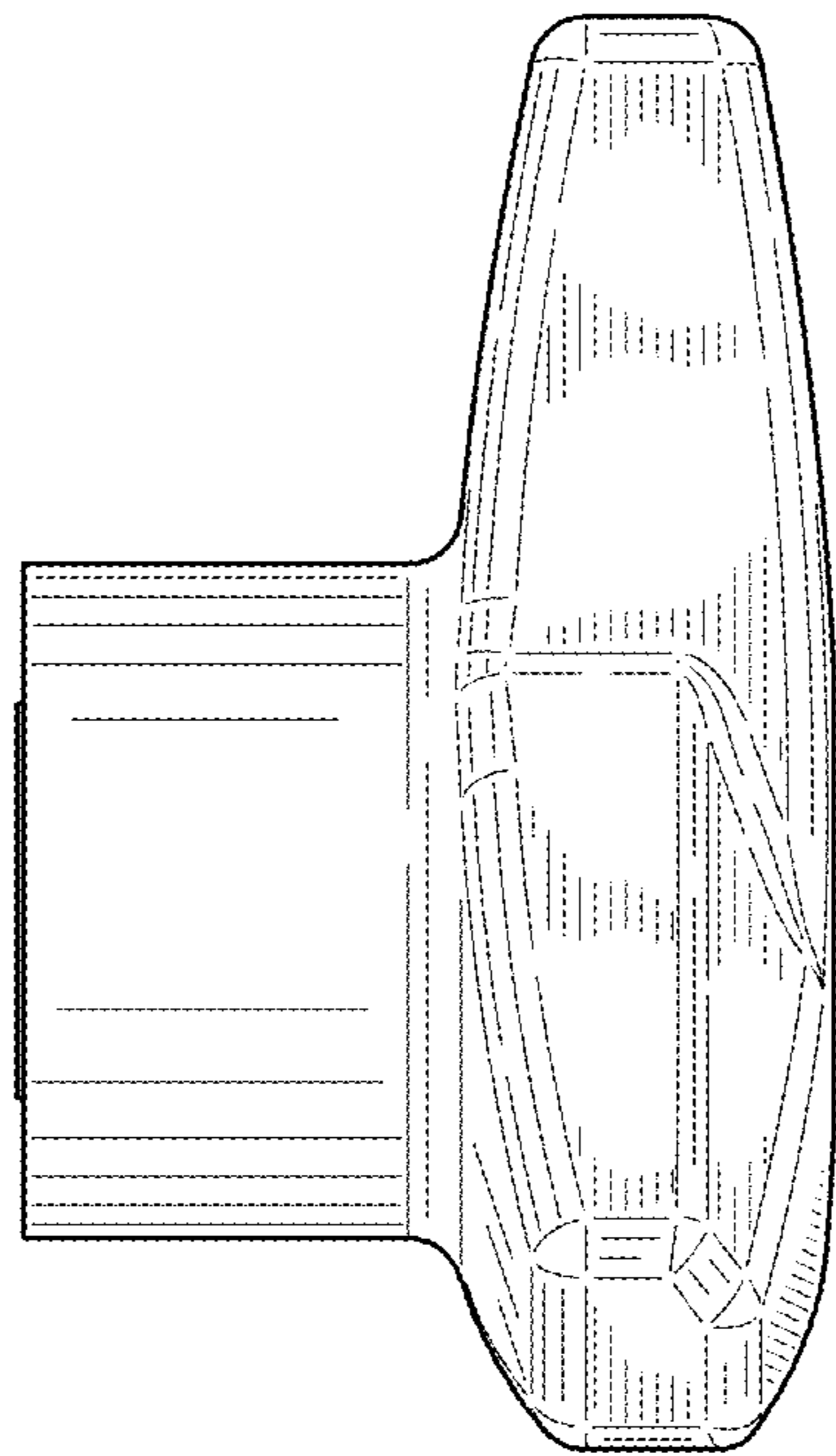
1.1



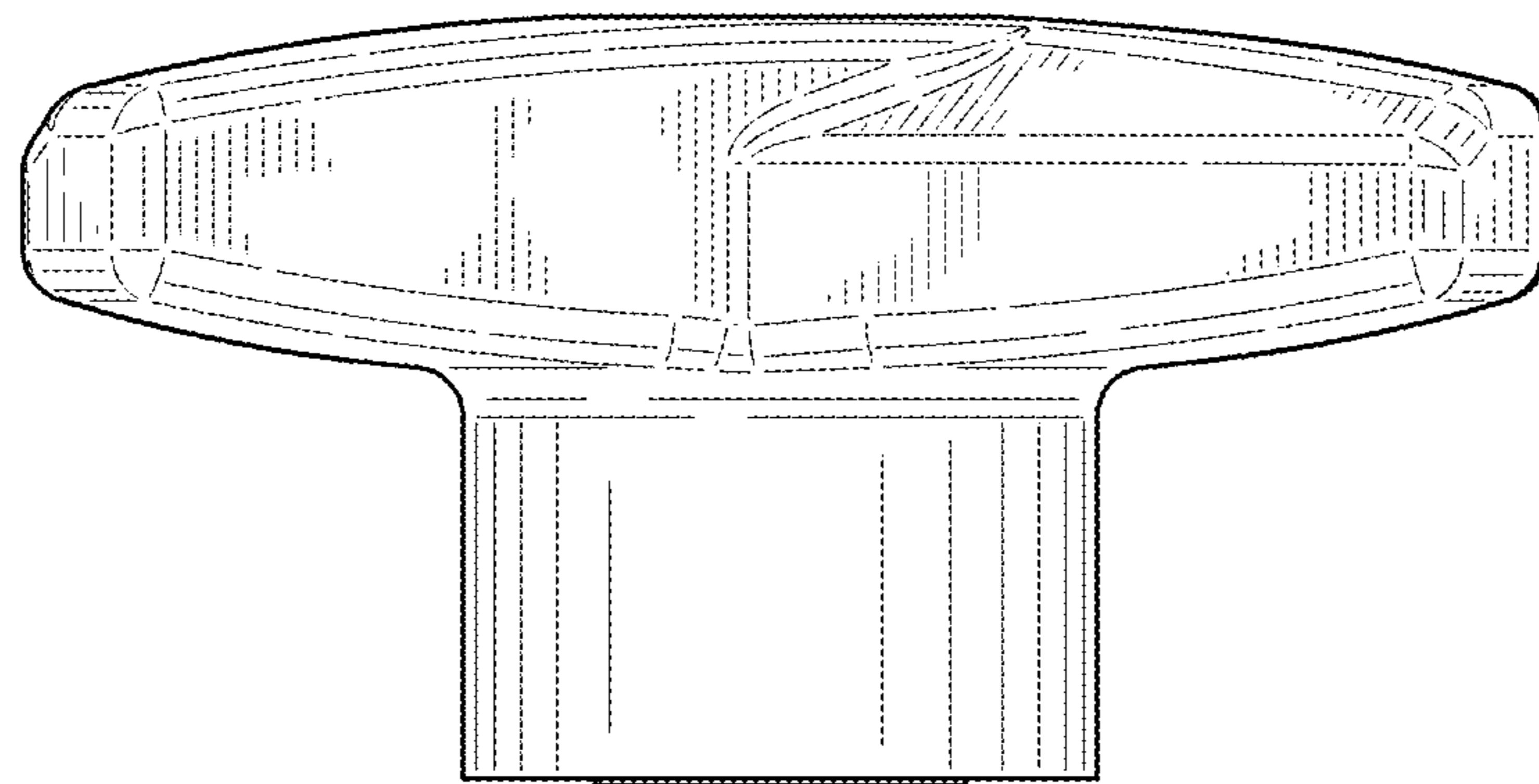
1.2



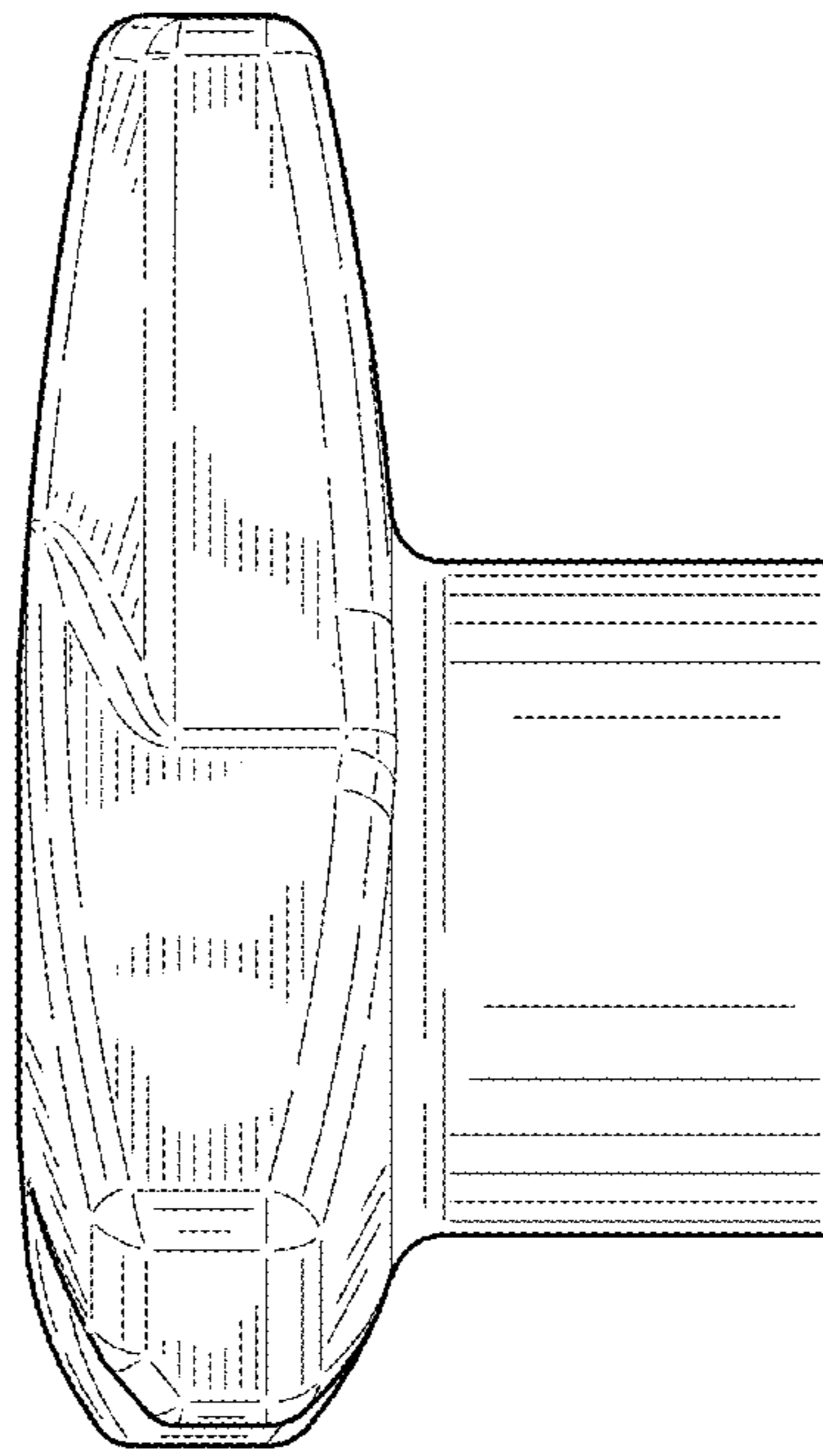
1.3



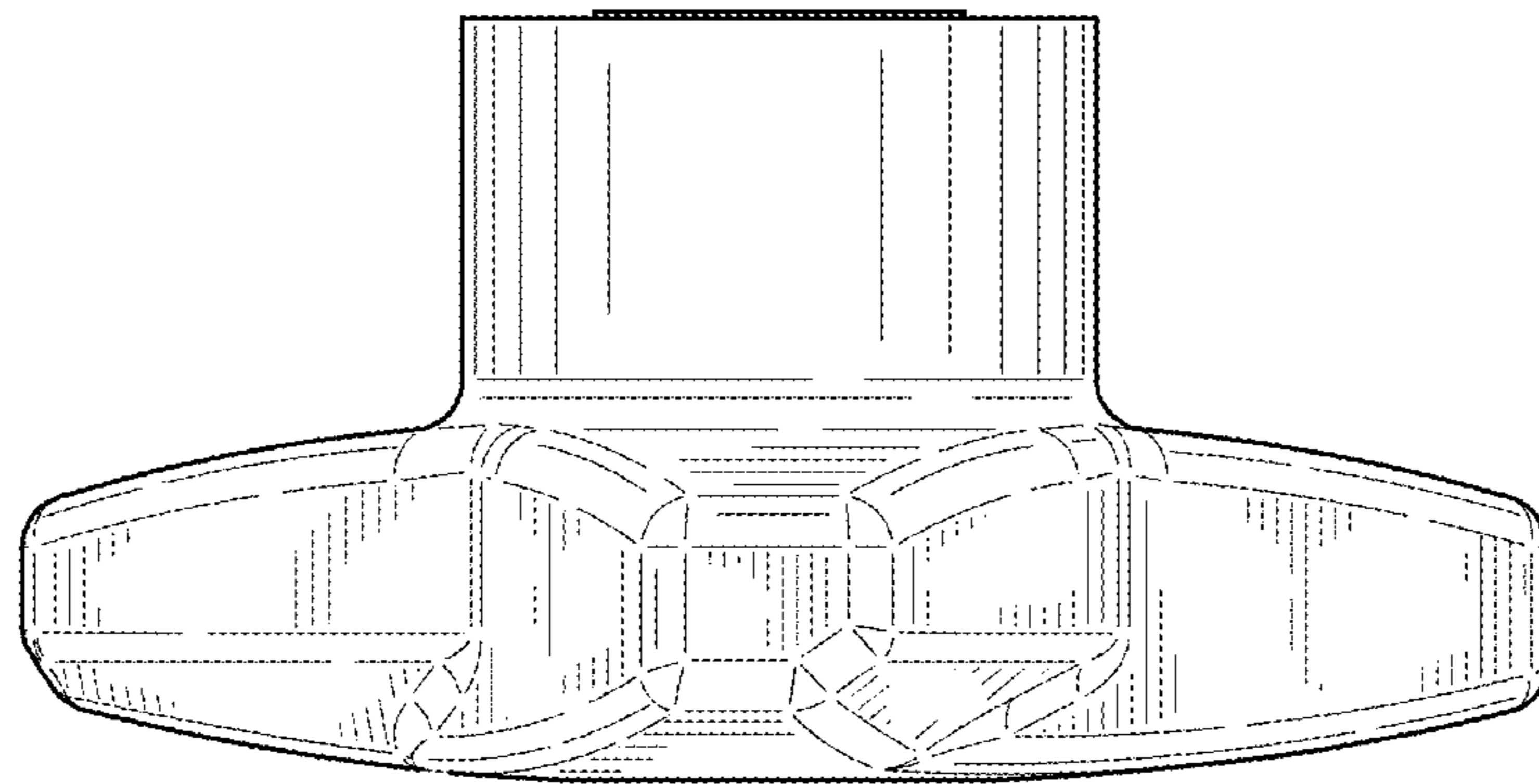
1.4



1.5



1.6



1.7