

US00D798126S

(12) **United States Design Patent** (10) **Patent No.:** **US D798,126 S**
Ursell et al. (45) **Date of Patent:** **** Sep. 26, 2017**

(54) **TOOL STAND**

FOREIGN PATENT DOCUMENTS

(71) Applicant: **Affinity Tool Works, LLC**, Troy, MI (US)

WO WO 2016126765 A1 * 8/2016 B23D 47/025

(72) Inventors: **Mike Ursell**, Bloomfield Hills, MI (US); **Connor Ursell**, Bloomfield Hills, MI (US); **Mark Cross**, Marysville, MI (US); **Sam Ursell**, Beverly Hills, MI (US); **Ken Neilson**, Troy, MI (US)

OTHER PUBLICATIONS

Portamate PM-7000 Deluxe Miter Saw Stand, posted at www.portamate.com, posting date not given, [online], [site visited Nov. 22, 2016]. Available from Internet, <URL: http://www.portamate.com/workcenterwithlightvise>.*

(73) Assignee: **Affinity Tool Works, LLC**, Troy, MI (US)

Primary Examiner — Caron D Veynar

Assistant Examiner — Maria Edwards

(**) Term: **15 Years**

(74) *Attorney, Agent, or Firm* — William H. Honaker; Dickinson Wright PLLC

(21) Appl. No.: **29/553,615**

(57) **CLAIM**

(22) Filed: **Feb. 3, 2016**

The ornamental design for tool stand, as shown and described herein.

Related U.S. Application Data

DESCRIPTION

(63) Continuation of application No. 15/014,133, filed on Feb. 3, 2016.

FIG. 1 is a perspective view of the tool stand of the present invention with the support arms closed and the handles lowered.

(Continued)

(51) **LOC (10) Cl.** **08-05**

FIG. 2 is a front view of the tool stand of the present invention.

(52) **U.S. Cl.**

FIG. 3 is a back view of the tool stand of the present invention.

USPC **D8/71**

(58) **Field of Classification Search**

FIG. 4 is a top view of the tool stand of the present invention. FIG. 5 is a bottom view of the tool stand of the present invention.

USPC D8/71, 349, 380, 499; 83/471, 477.2; 144/286.1, 286.5, 287; D25/67

(Continued)

(56) **References Cited**

FIG. 6 is a left end view of the tool stand of the present invention; and,

U.S. PATENT DOCUMENTS

FIG. 7 is a right end view of the tool stand of the present invention; and,

495,492 A * 4/1893 Jones E04G 1/32 144/286.1

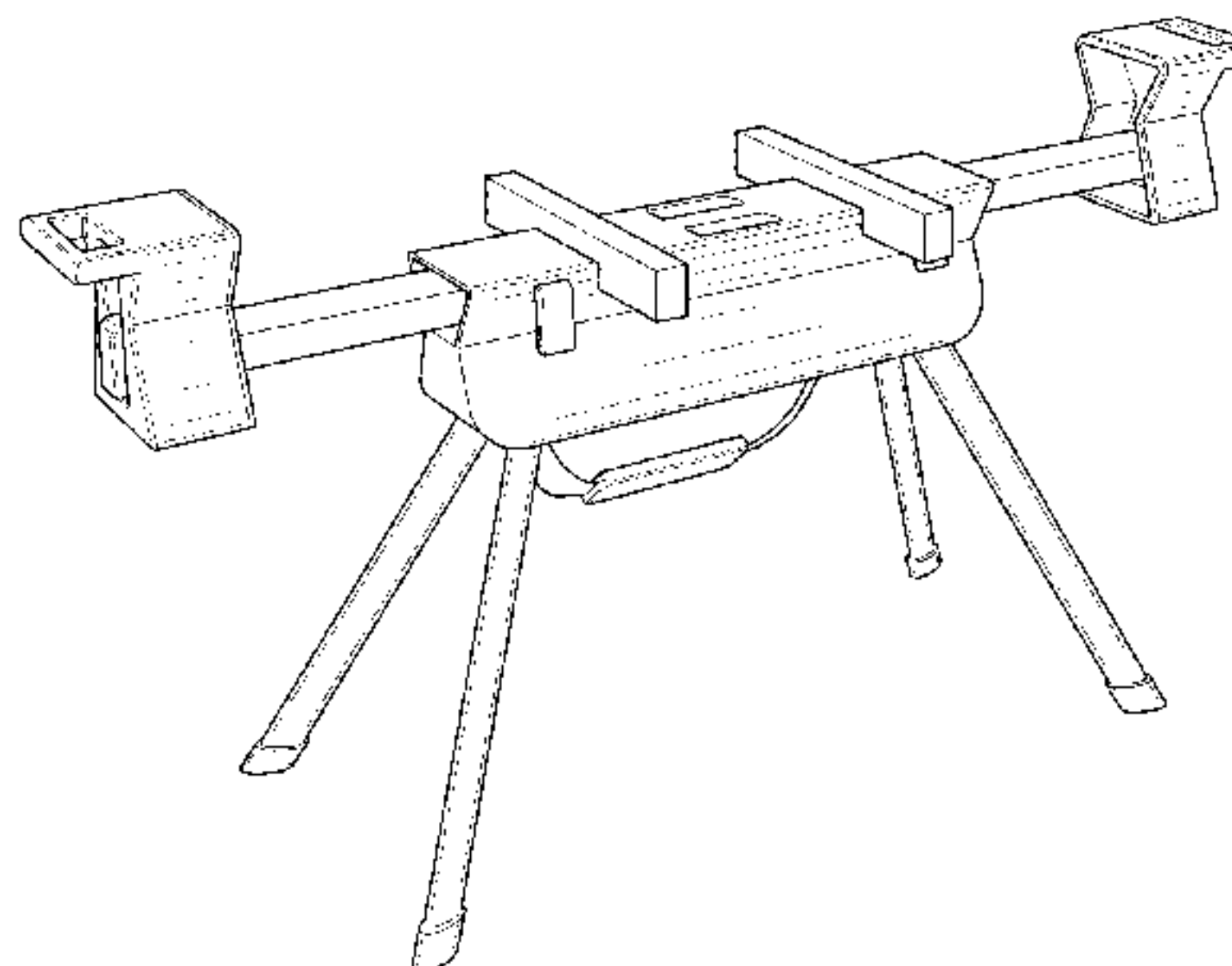
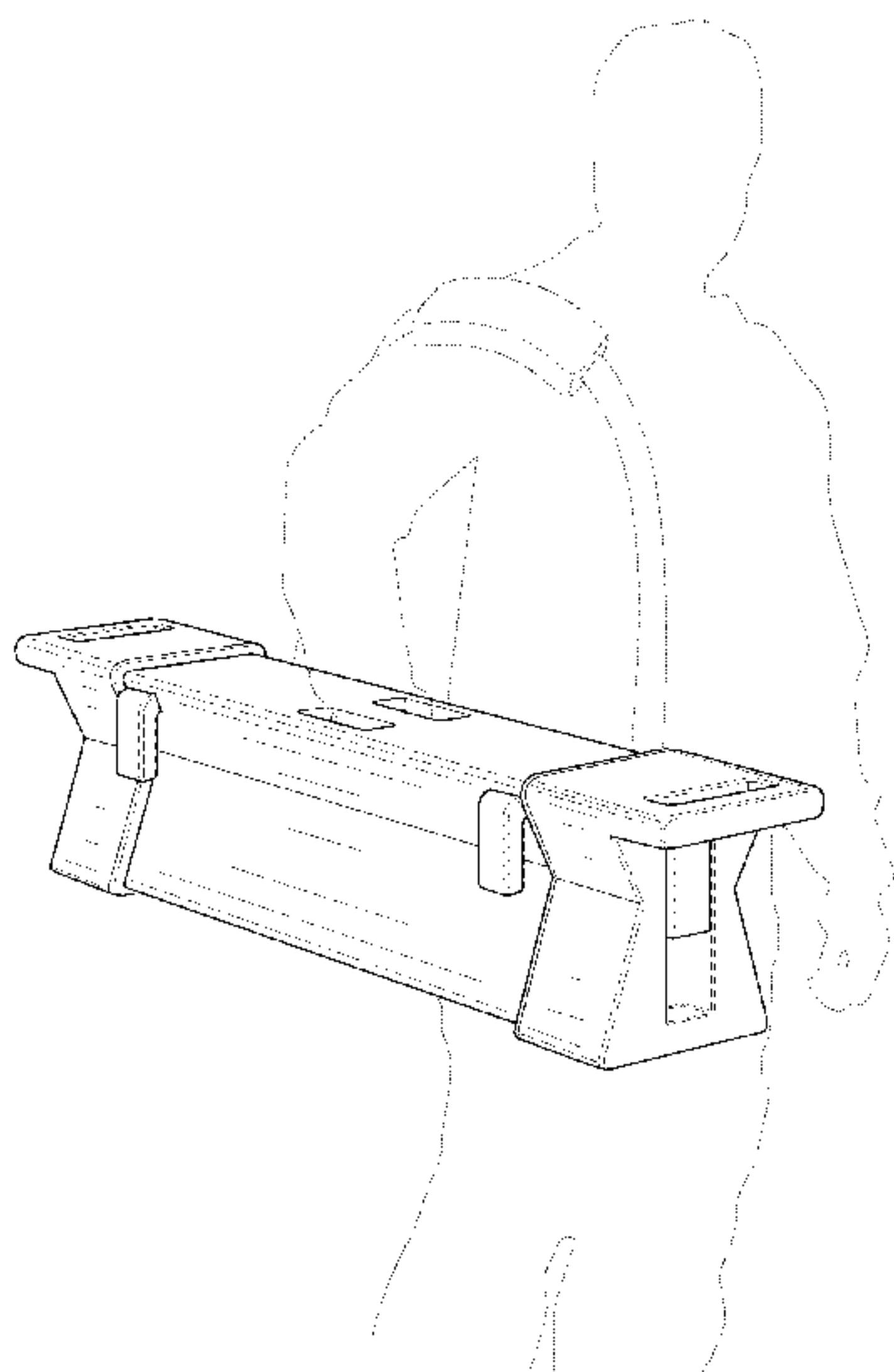
FIG. 8 is a perspective view of the tool stand of the present invention with the support arms open and the handles raised.

3,851,756 A * 12/1974 Brown B25H 1/04 108/131

The broken lines depict environmental subject matter only and form no part of the claimed design.

(Continued)

1 Claim, 4 Drawing Sheets



- Related U.S. Application Data**
- (60) Provisional application No. 62/111,264, filed on Feb. 3, 2015.
- (58) **Field of Classification Search**
 CPC B25H 1/04; B25H 1/0042; B25H 1/06; B25H 1/10
 See application file for complete search history.

- (56) **References Cited**
- U.S. PATENT DOCUMENTS
- 5,052,517 A * 10/1991 Wallman B25H 1/06
 182/155
 5,836,365 A * 11/1998 Derektor B25H 1/06
 108/131
 5,988,243 A * 11/1999 Ayala B23D 47/025
 144/286.5
 6,435,460 B1 * 8/2002 Van Cleave B23D 47/025
 108/9
 D549,749 S * 8/2007 Francis D15/141

- 7,458,403 B2 * 12/2008 Radermacher B23D 47/025
 144/286.1
 D584,421 S * 1/2009 Wise D25/67
 D638,140 S * 5/2011 Busschaert D25/67
 D638,141 S * 5/2011 Busschaert D25/67
 8,292,249 B2 * 10/2012 Chiu B25H 1/06
 108/115
 8,376,307 B2 * 2/2013 Frolov B25H 1/04
 108/118
 8,464,994 B2 * 6/2013 Chiu B25H 1/04
 144/286.1
 2005/0006002 A1 * 1/2005 Barclay deTolly B25H 1/10
 144/286.5
 2008/0203704 A1 * 8/2008 McCracken B25H 1/06
 280/651
 2010/0288585 A1 * 11/2010 Katz B25H 1/06
 182/155
 2012/0248279 A1 * 10/2012 Eichhorn B25H 1/04
 248/440.1
 2013/0105424 A1 * 5/2013 Lin A47B 49/00
 211/85.8
 2013/0106270 A1 * 5/2013 Lin B25H 1/0042
 312/327

* cited by examiner

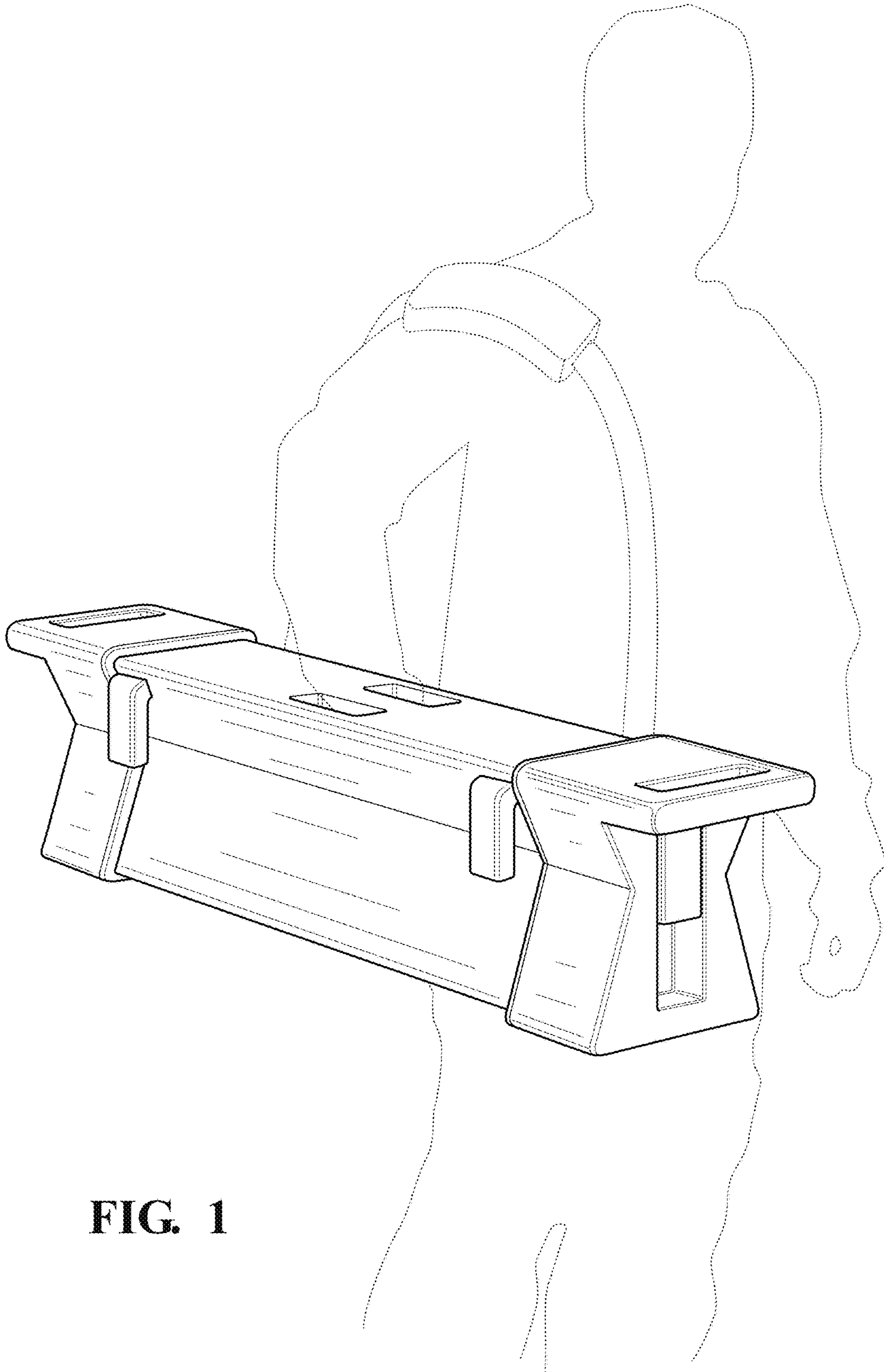


FIG. 1

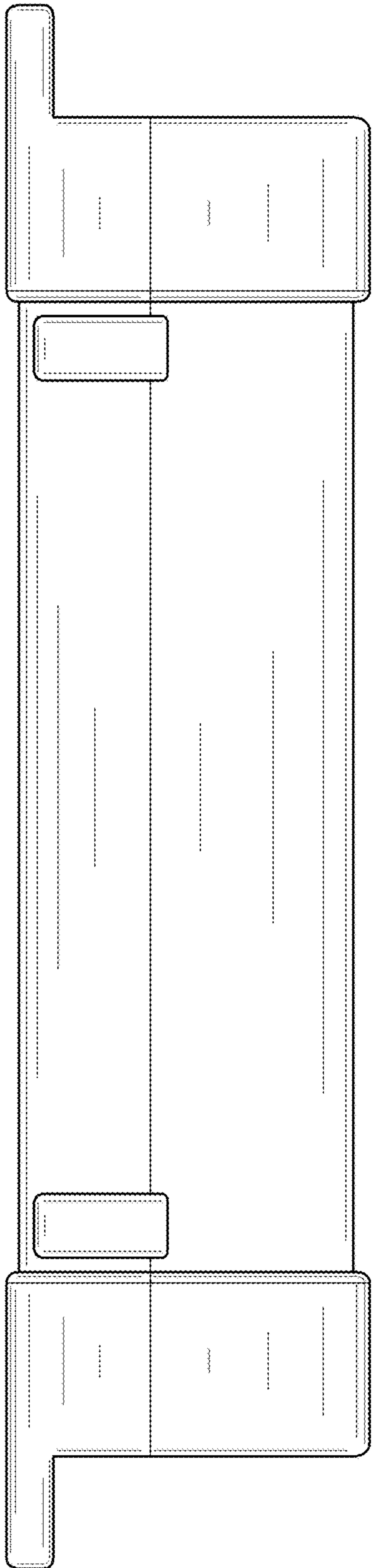


FIG. 2

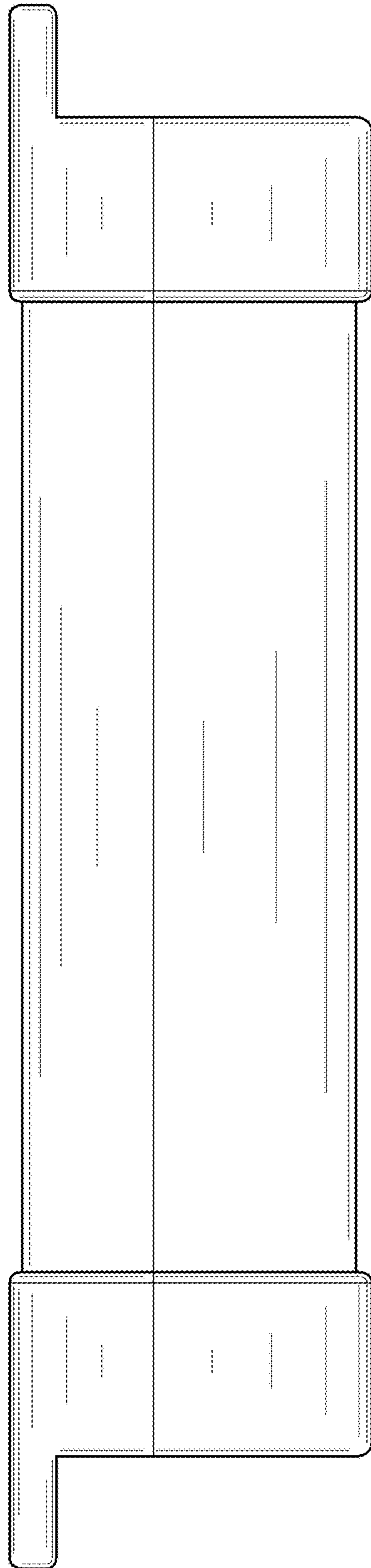


FIG. 3

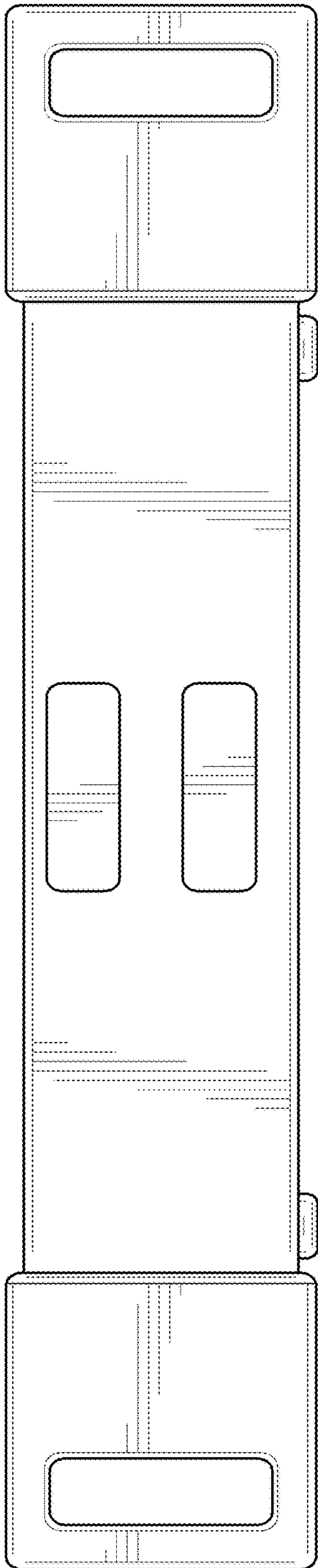


FIG. 4

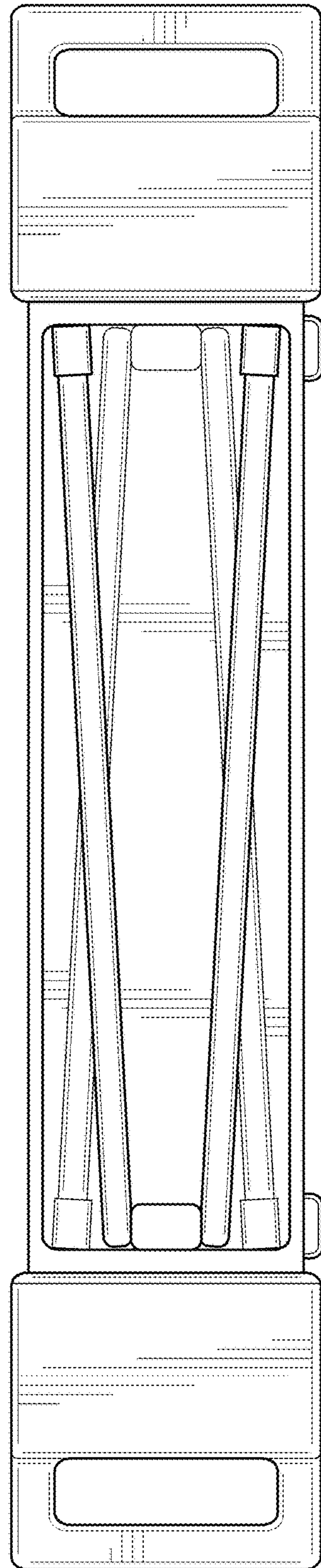


FIG. 5

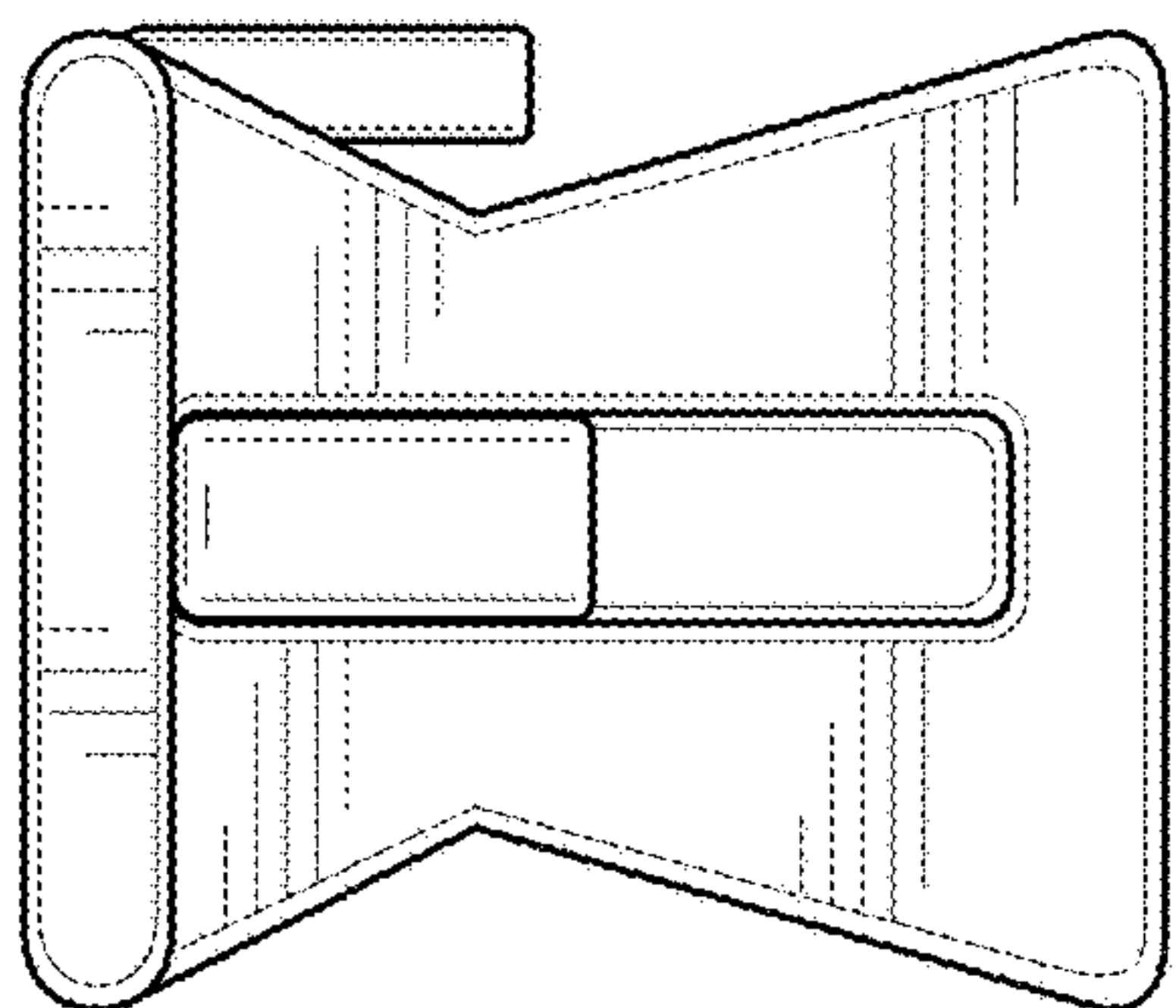


FIG. 6

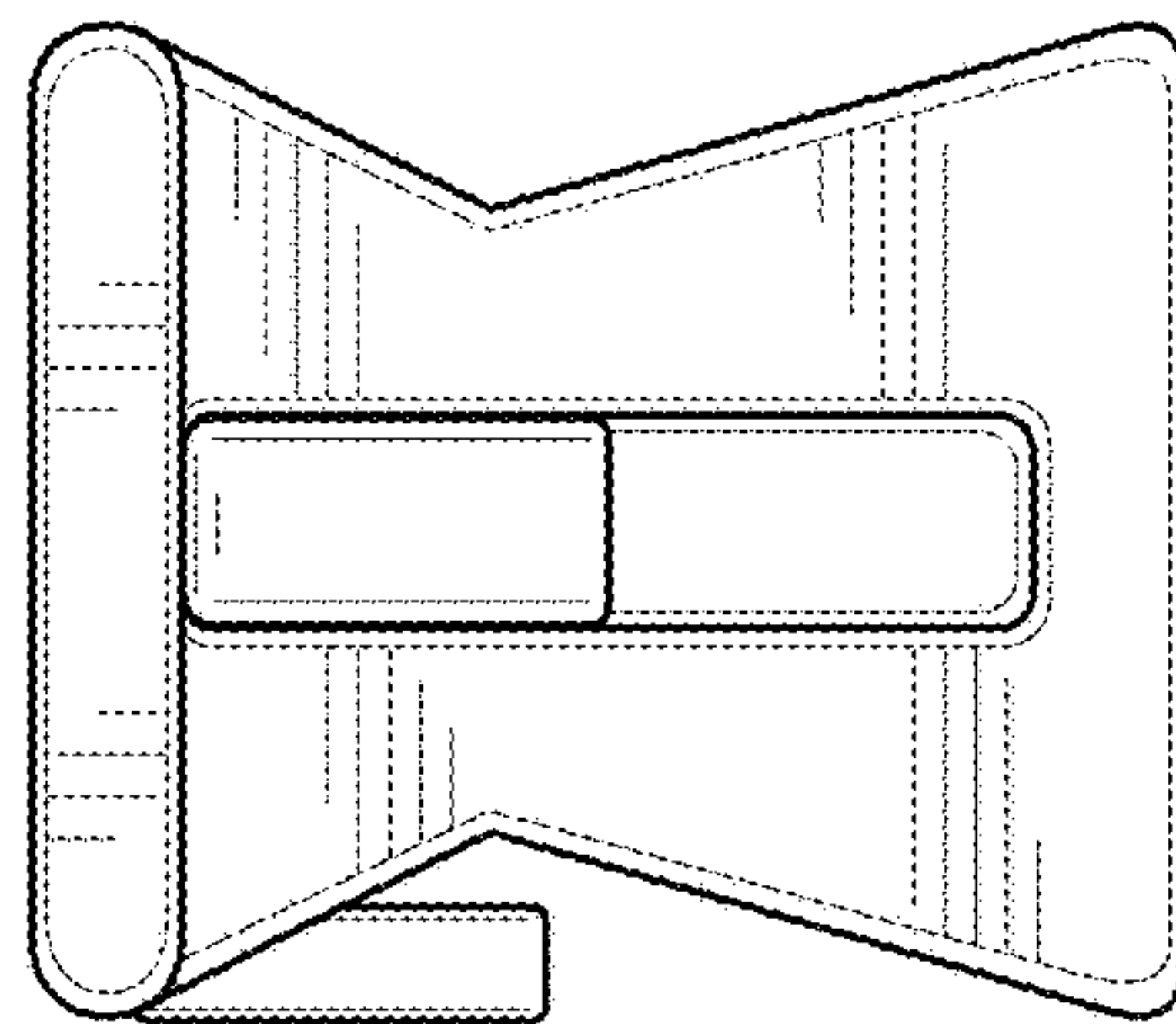


FIG. 7

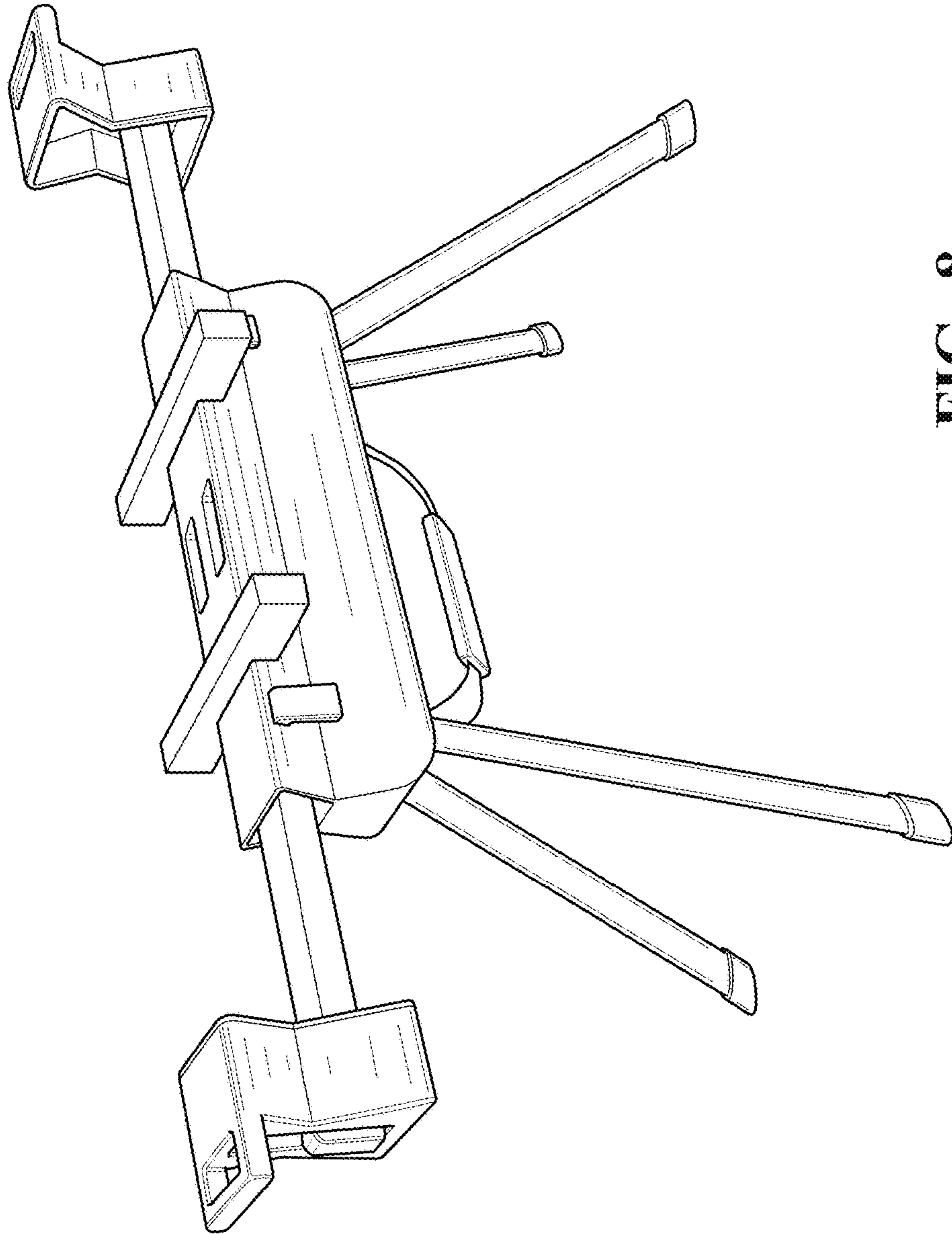


FIG. 8