



US00D798125S

(12) **United States Design Patent**
Weinberg et al.

(10) **Patent No.:** **US D798,125 S**

(45) **Date of Patent:** **** Sep. 26, 2017**

(54) **SHEARS**

D523,709 S * 6/2006 Knox D8/5
7,346,991 B1 * 3/2008 Janson A01G 3/02
30/244

(71) Applicant: **BESSEY Tool GmbH & Co. KG,**
Bietigheim-Bissingen (DE)

D630,479 S * 1/2011 Yang D8/5
2002/0138990 A1 * 10/2002 Gluck B26B 13/26
30/258

(72) Inventors: **Andreas Weinberg,** Filderstadt (DE);
Martin Ruf, Filderstadt (DE)

(73) Assignee: **BESSEY Tool GmbH & Co. KG,**
Bietigheim-Bissingen (DE)

(**) Term: **15 Years**

(21) Appl. No.: **29/569,938**

(22) Filed: **Jul. 1, 2016**

(30) **Foreign Application Priority Data**

Jan. 27, 2016 (EM) 002961037

(51) **LOC (10) Cl.** **08-05**

(52) **U.S. Cl.**
USPC **D8/52**

(58) **Field of Classification Search**
USPC D8/4, 5, 51-60, 105, 107
CPC B23D 29/026; B26B 13/04; B26B 13/26;
A01G 3/02; A61M 3/00
See application file for complete search history.

(56) **References Cited**

U.S. PATENT DOCUMENTS

D519,013 S * 4/2006 Schmick D8/5
D520,315 S * 5/2006 Deter D8/5

OTHER PUBLICATIONS

Extract from catalog of Bessey Tool GmbH & Co. KG, "Complete catalogue 2013/2014 (Bessey Clamping—and Cutting Technology)", cover, pp. 116-153 and last page (Jan. 2013).

* cited by examiner

Primary Examiner — Deanna L Pratt
(74) *Attorney, Agent, or Firm* — Lipsitz & McAllister, LLC

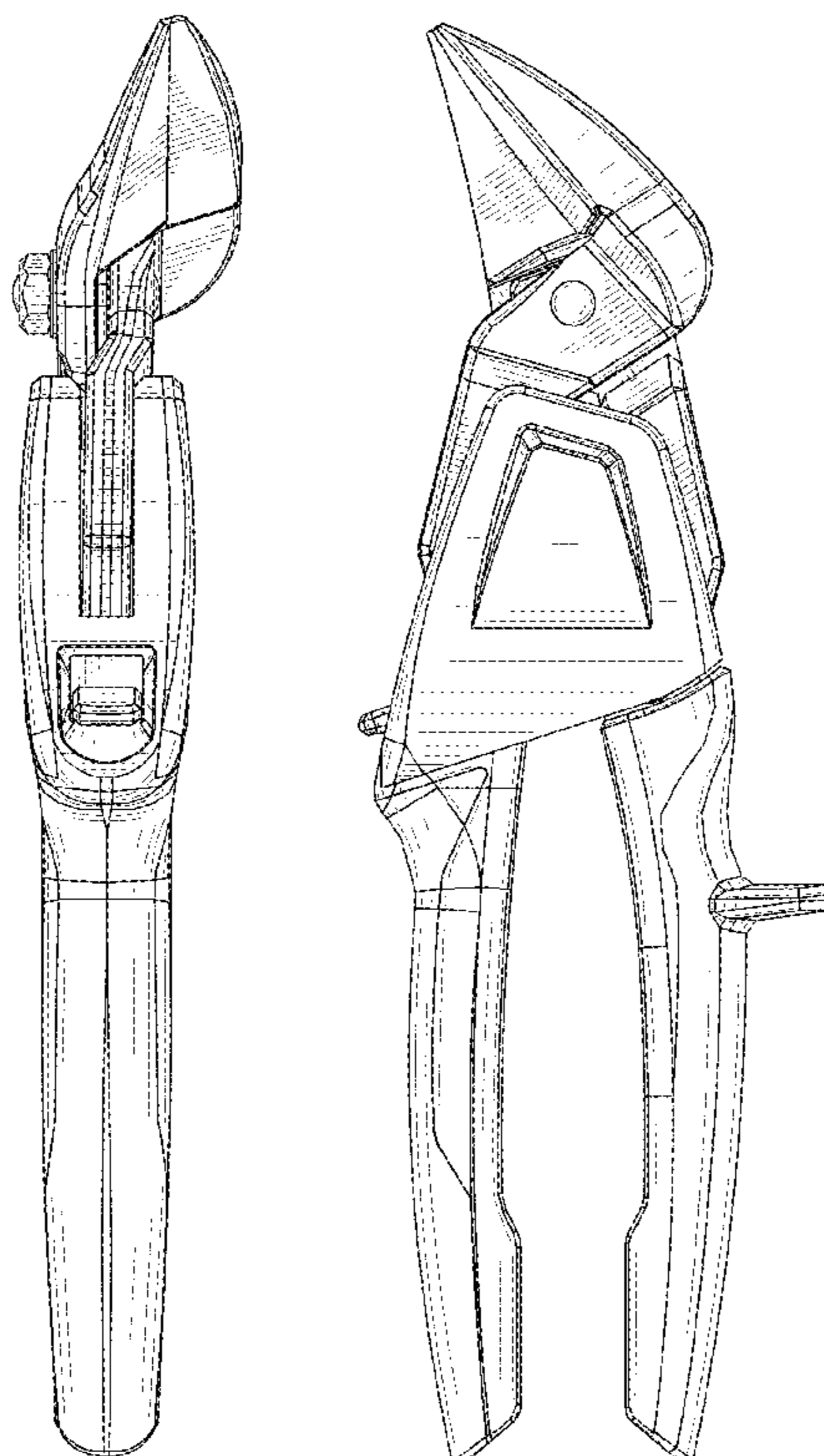
(57) **CLAIM**

The ornamental design for shears, as shown and described.

DESCRIPTION

FIG. 1 is a top, front and right side perspective view of shears showing the new design;
FIG. 2 is a front elevational view thereof;
FIG. 3 is a right side elevational view thereof;
FIG. 4 is a rear elevational view thereof;
FIG. 5 is a left side elevational view thereof;
FIG. 6 is a top plan view thereof; and,
FIG. 7 is a bottom plan view thereof.

1 Claim, 6 Drawing Sheets



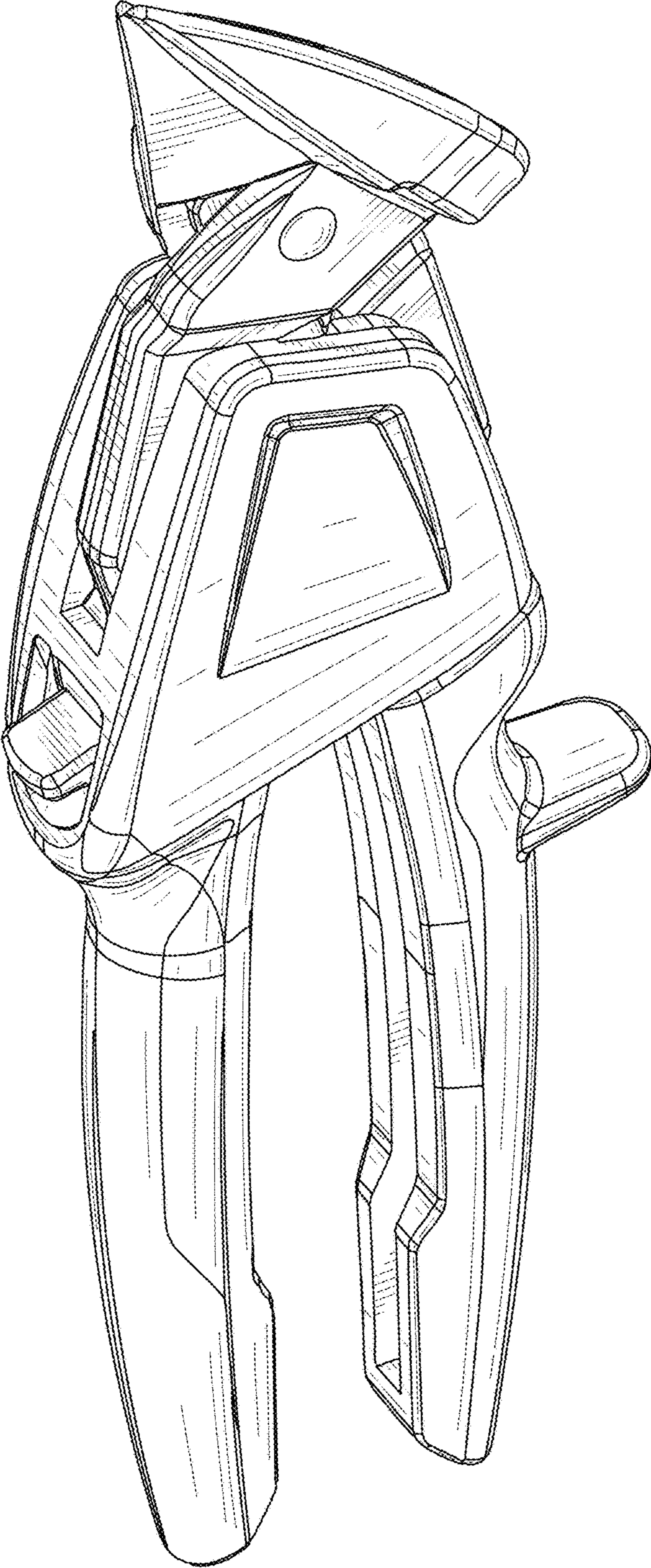


FIG. 1

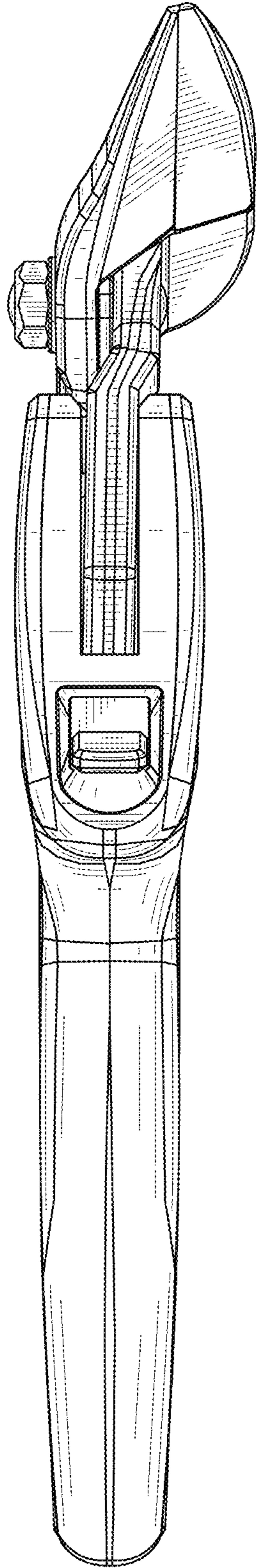


FIG. 2

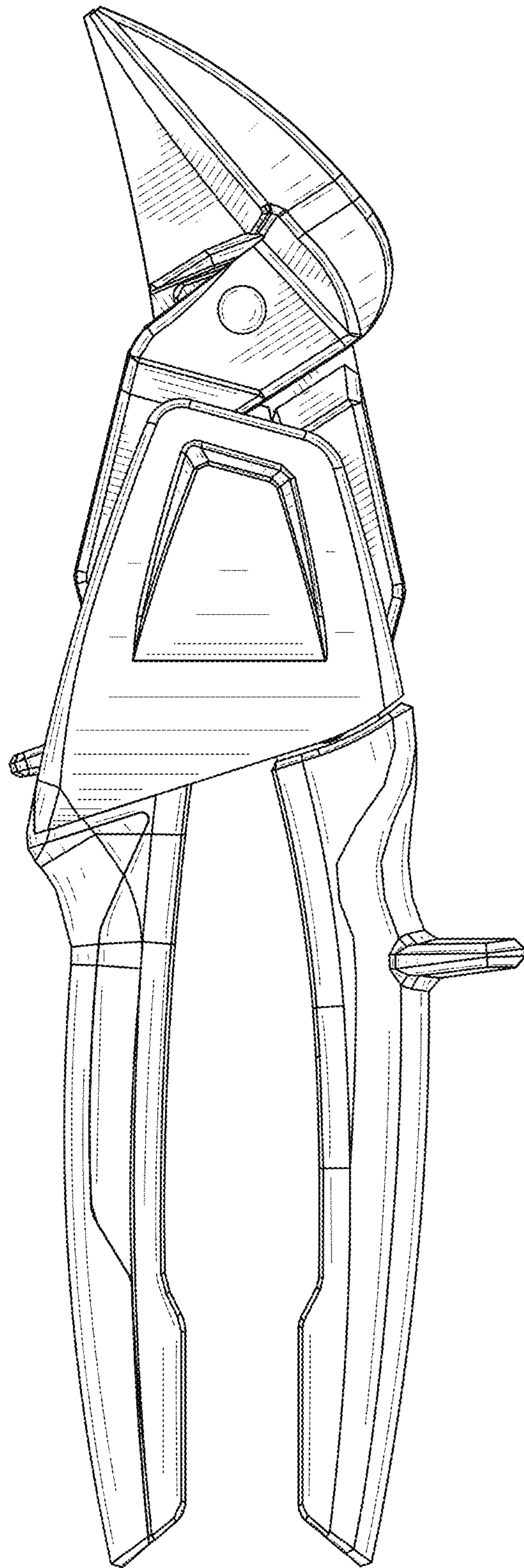


FIG. 3

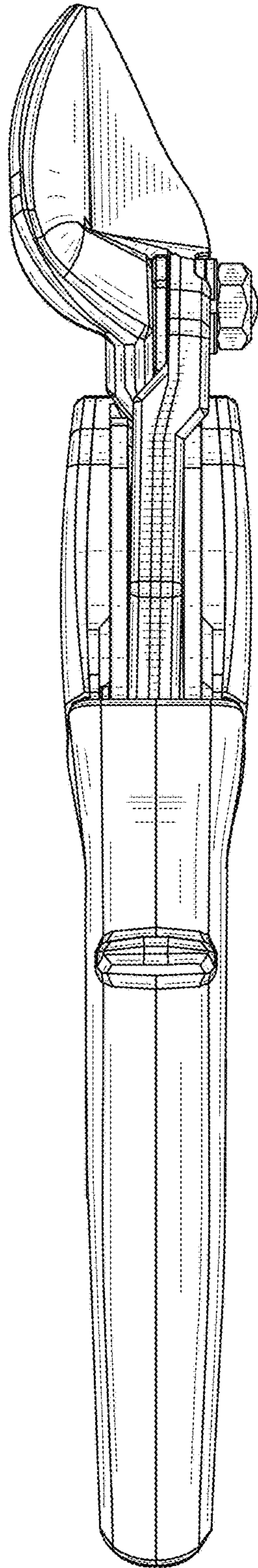


FIG. 4

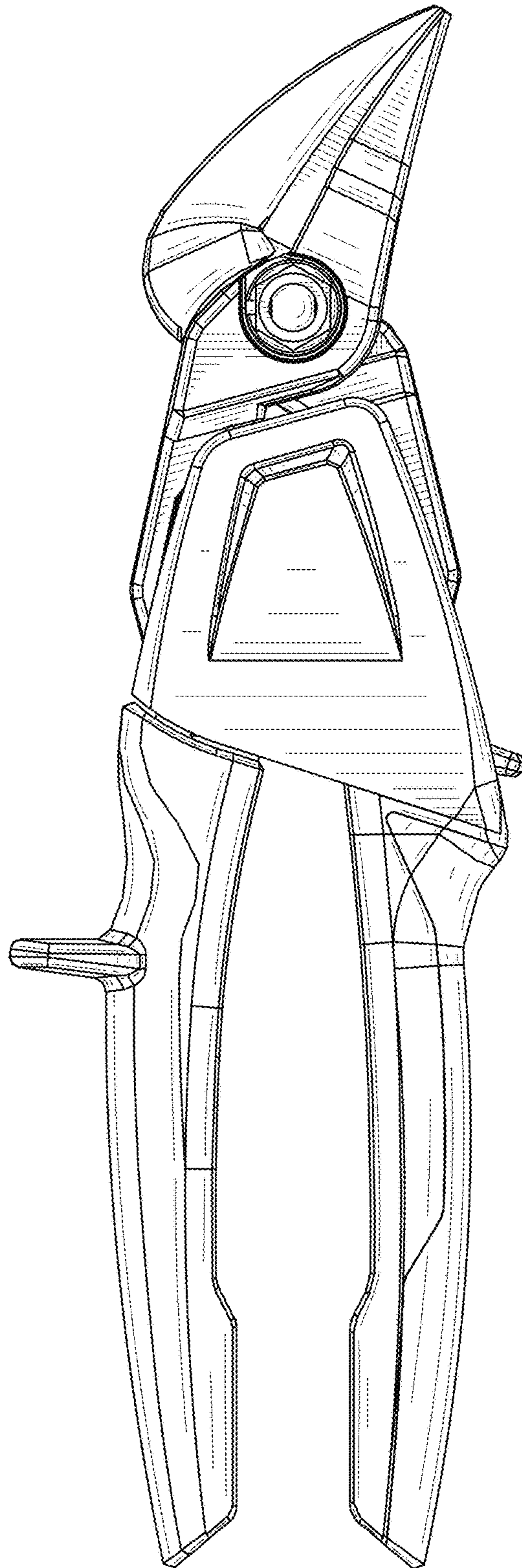


FIG. 5

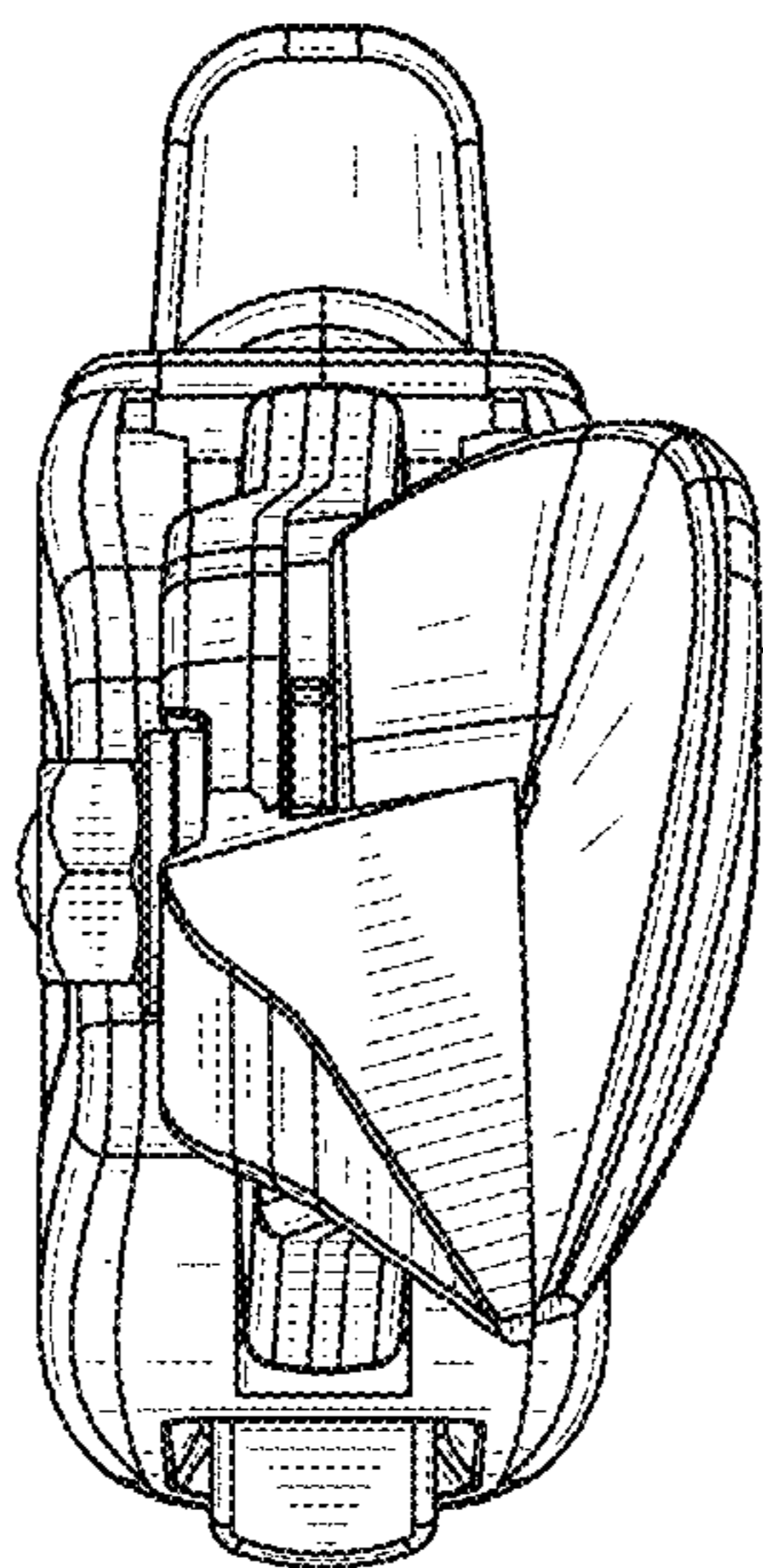


FIG. 6

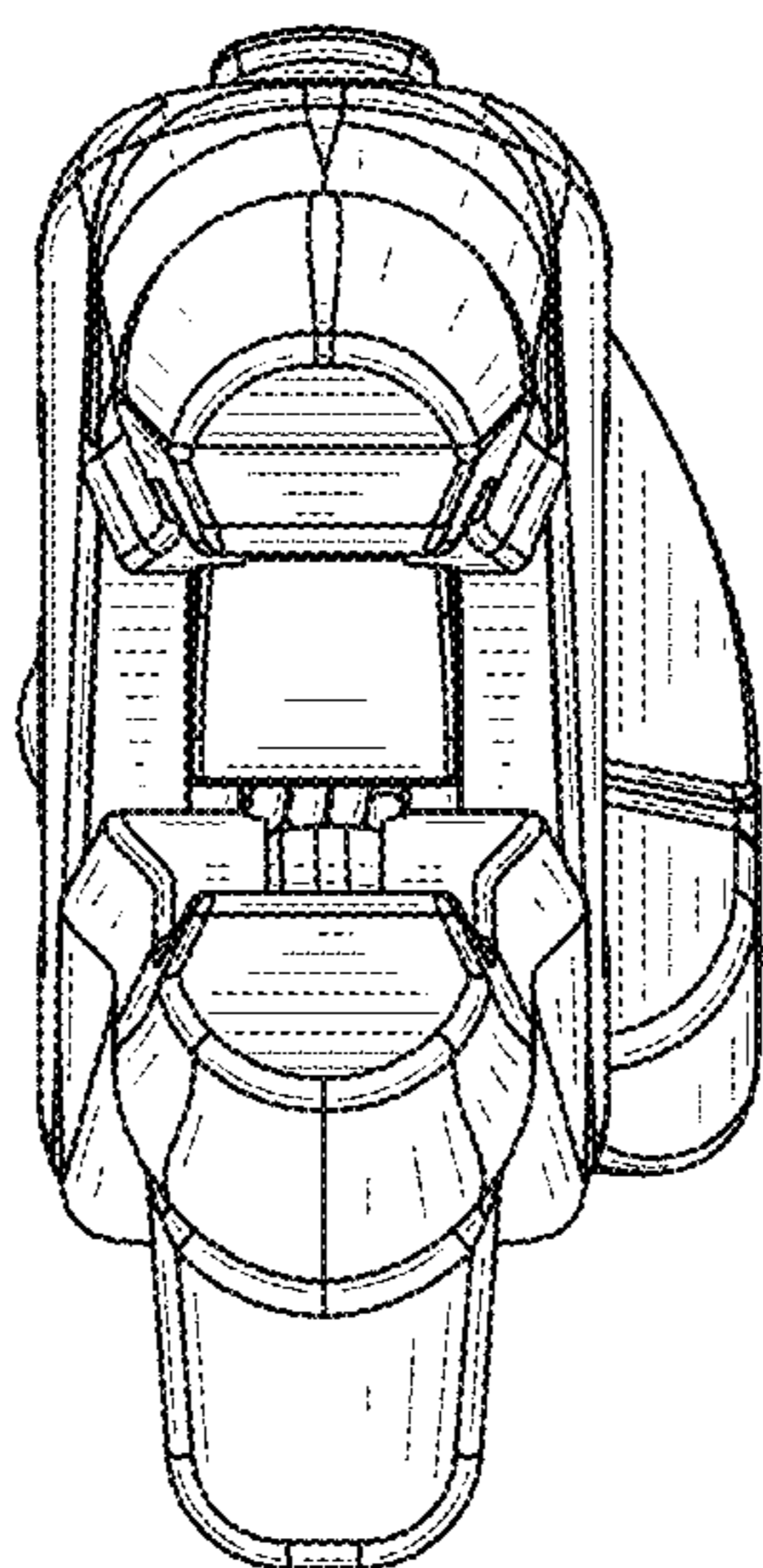


FIG. 7