



US00D798122S

(12) **United States Design Patent**
Eisenhauer et al.

(10) **Patent No.:** **US D798,122 S**

(45) **Date of Patent:** **** Sep. 26, 2017**

(54) **BOTTLE TOP INSERT AND REMOVAL TOOL**

(71) Applicants: **Dwane A Eisenhauer**, Summerfield, NC (US); **Erika Eisenhauer**, Summerfield, NC (US)

(72) Inventors: **Dwane A Eisenhauer**, Summerfield, NC (US); **Erika Eisenhauer**, Summerfield, NC (US)

(**) Term: **15 Years**

(21) Appl. No.: **29/557,111**

(22) Filed: **Mar. 5, 2016**

(51) **LOC (10) Cl.** **07-99**

(52) **U.S. Cl.**
USPC **D8/33**

(58) **Field of Classification Search**
USPC D8/14, 16, 18, 19, 33-43, 98, 88, 89, D8/107, 300, 301, 306-309, DIG. 10
CPC B67B 7/00; B67B 7/04; B67B 7/14; B67B 7/16; B67B 7/18; B67B 7/20; B67B 7/24; B67B 7/30; B67B 7/34; B67B 7/36; B67B 7/44
See application file for complete search history.

(56) **References Cited**

U.S. PATENT DOCUMENTS

1,166,881 A * 1/1916 Anderson A24F 13/26
30/113
1,199,784 A * 10/1916 Hall A24F 13/26
30/113
D175,013 S * 6/1955 Brocken D8/34

3,340,592 A * 9/1967 Carpenter B25B 27/20
29/229
4,509,784 A * 4/1985 Vollers B67B 7/18
294/99.1
D298,212 S * 10/1988 Gross D15/9.1
4,967,622 A * 11/1990 Phillips B67B 7/44
7/151
5,058,215 A * 10/1991 Sims A47K 13/105
16/443
5,715,602 A * 2/1998 Hage A24F 13/26
30/111
D400,064 S * 10/1998 Tellez D7/669
D403,227 S * 12/1998 Tseng D8/105
5,946,753 A * 9/1999 Roberts A24F 13/26
30/113
6,062,227 A * 5/2000 Kuenzel A24F 13/26
131/248
6,164,286 A * 12/2000 Schad A24F 13/26
131/248
D595,385 S * 6/2009 Luth D22/108
D772,036 S * 11/2016 Frassetto D8/14

* cited by examiner

Primary Examiner — Elizabeth Albert

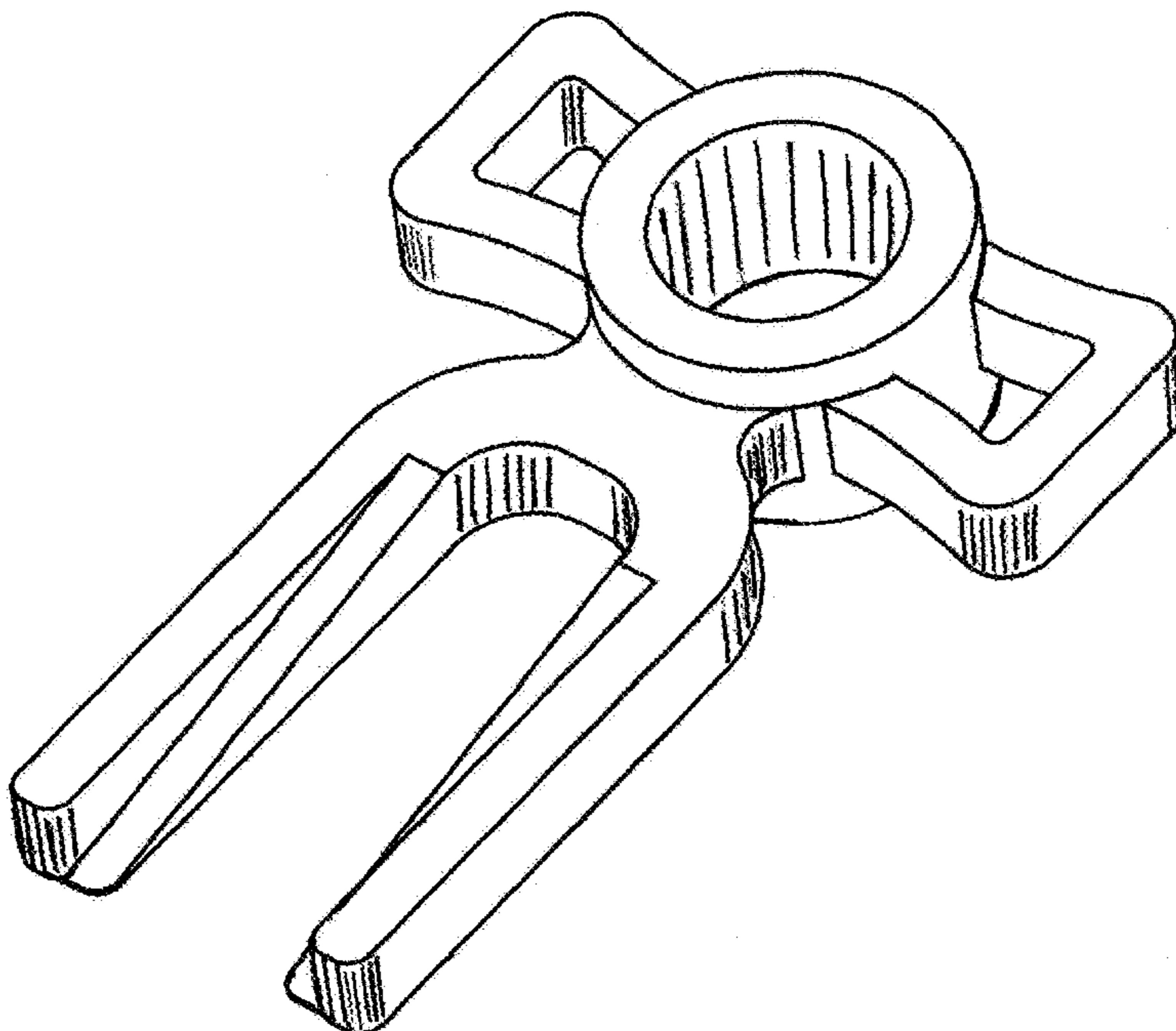
(57) **CLAIM**

The ornamental design for a bottle top insert and removal tool, as shown and described.

DESCRIPTION

FIG. 1 is a front, top, right perspective view of a bottle top insert and removal tool showing our new design; FIG. 2 is a back, bottom, right perspective view thereof; FIG. 3 is a top plan view thereof; and, FIG. 4 is a bottom plan view thereof.

1 Claim, 4 Drawing Sheets



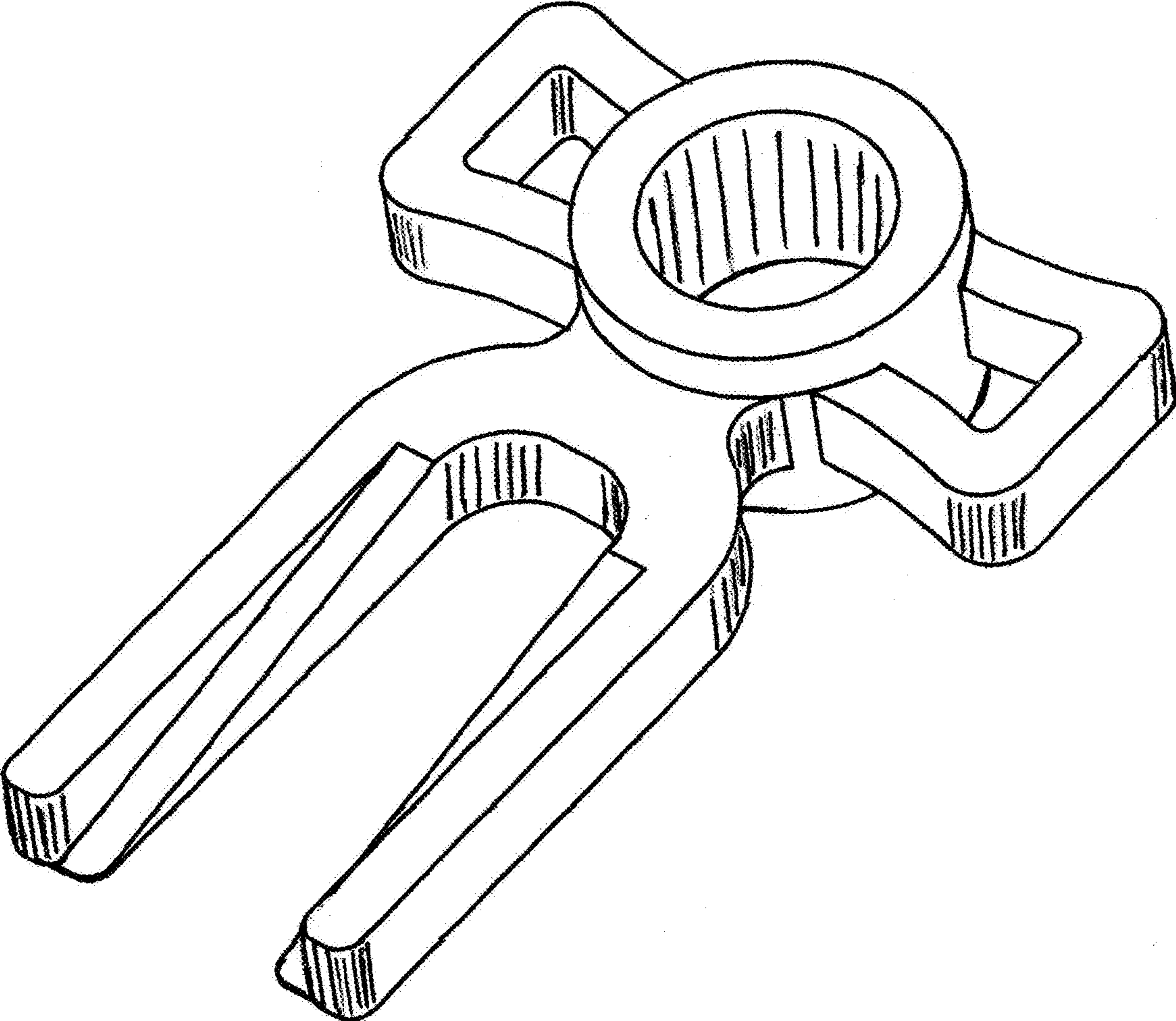


Fig. 1

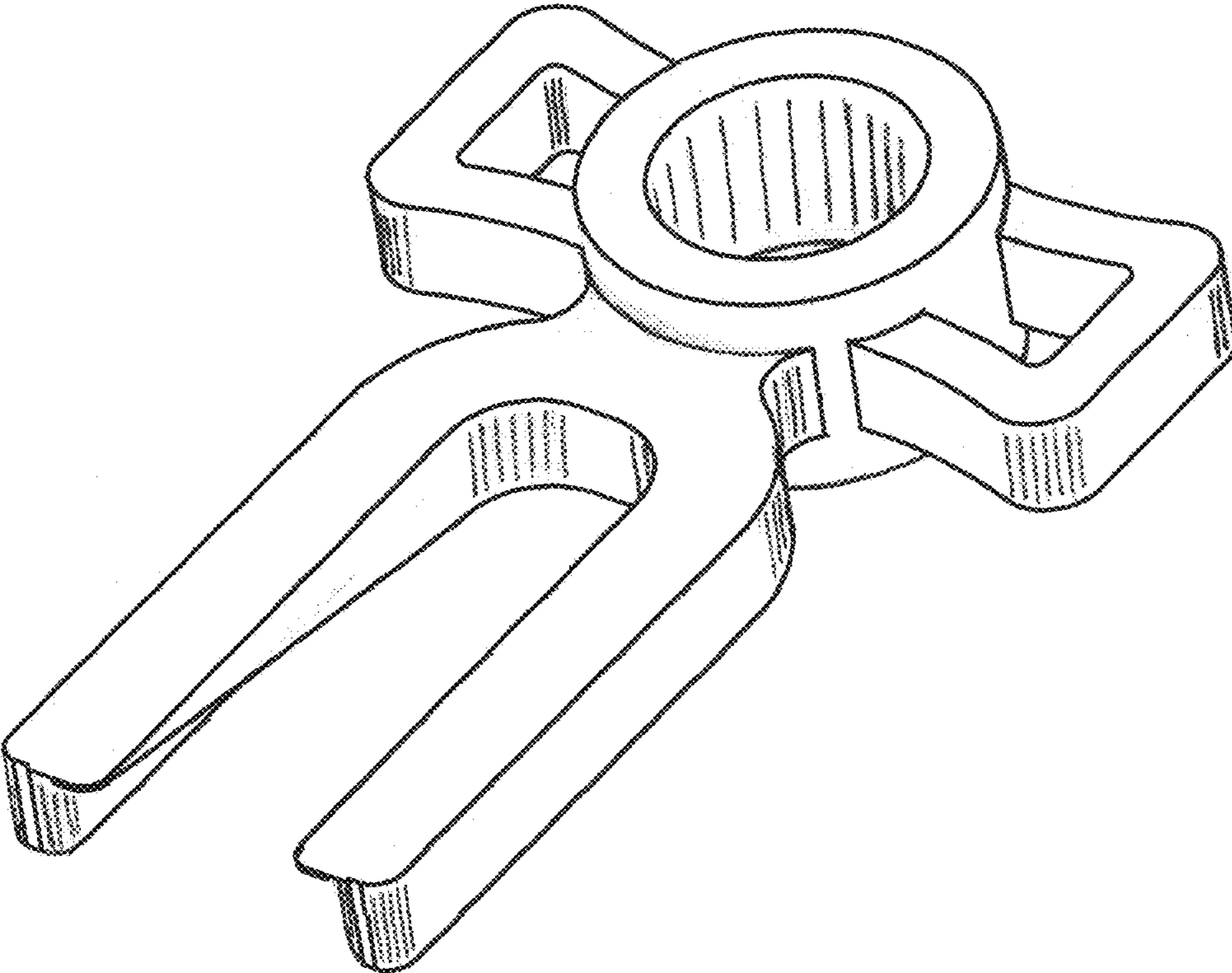


Fig. 2

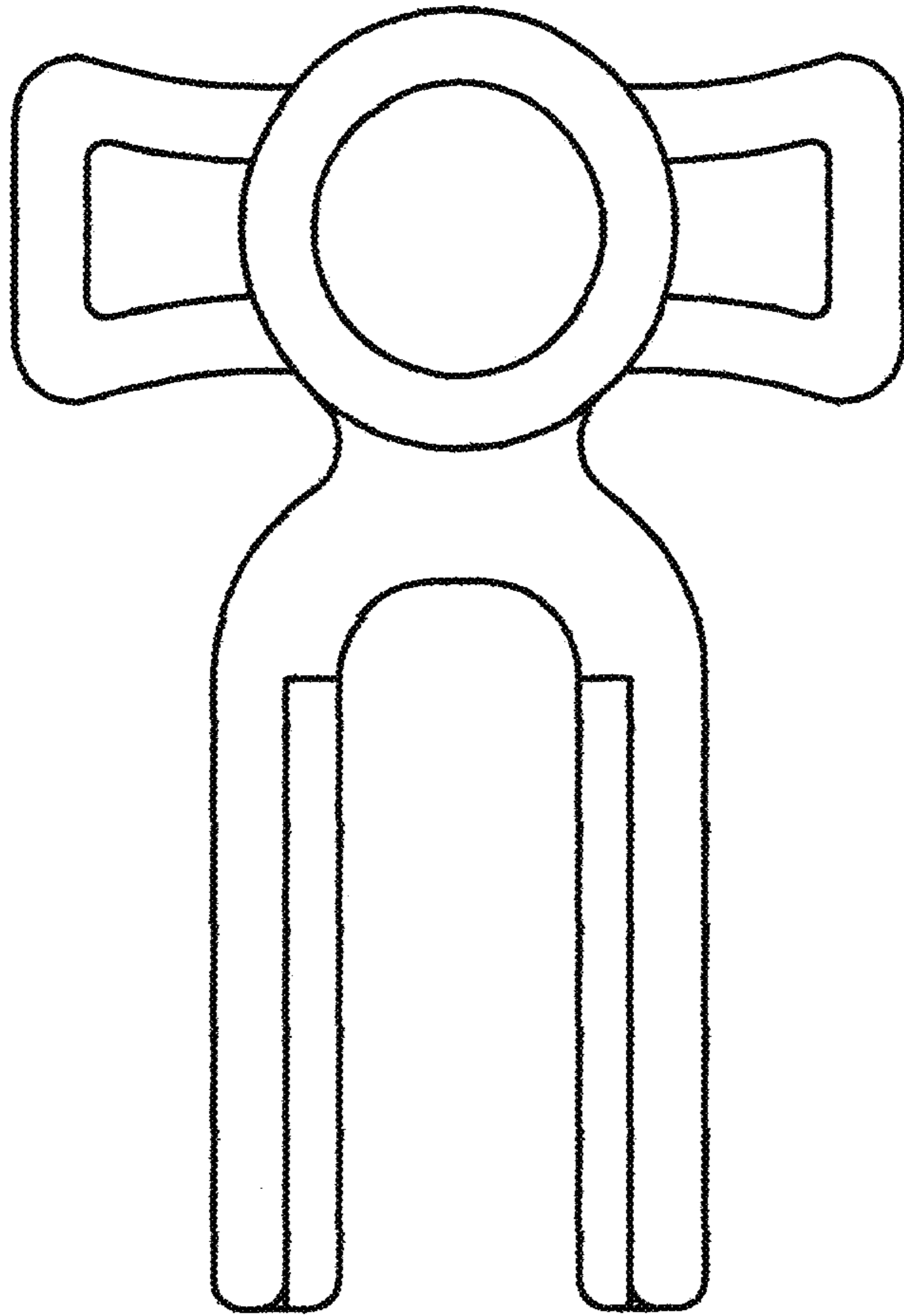


Fig. 3

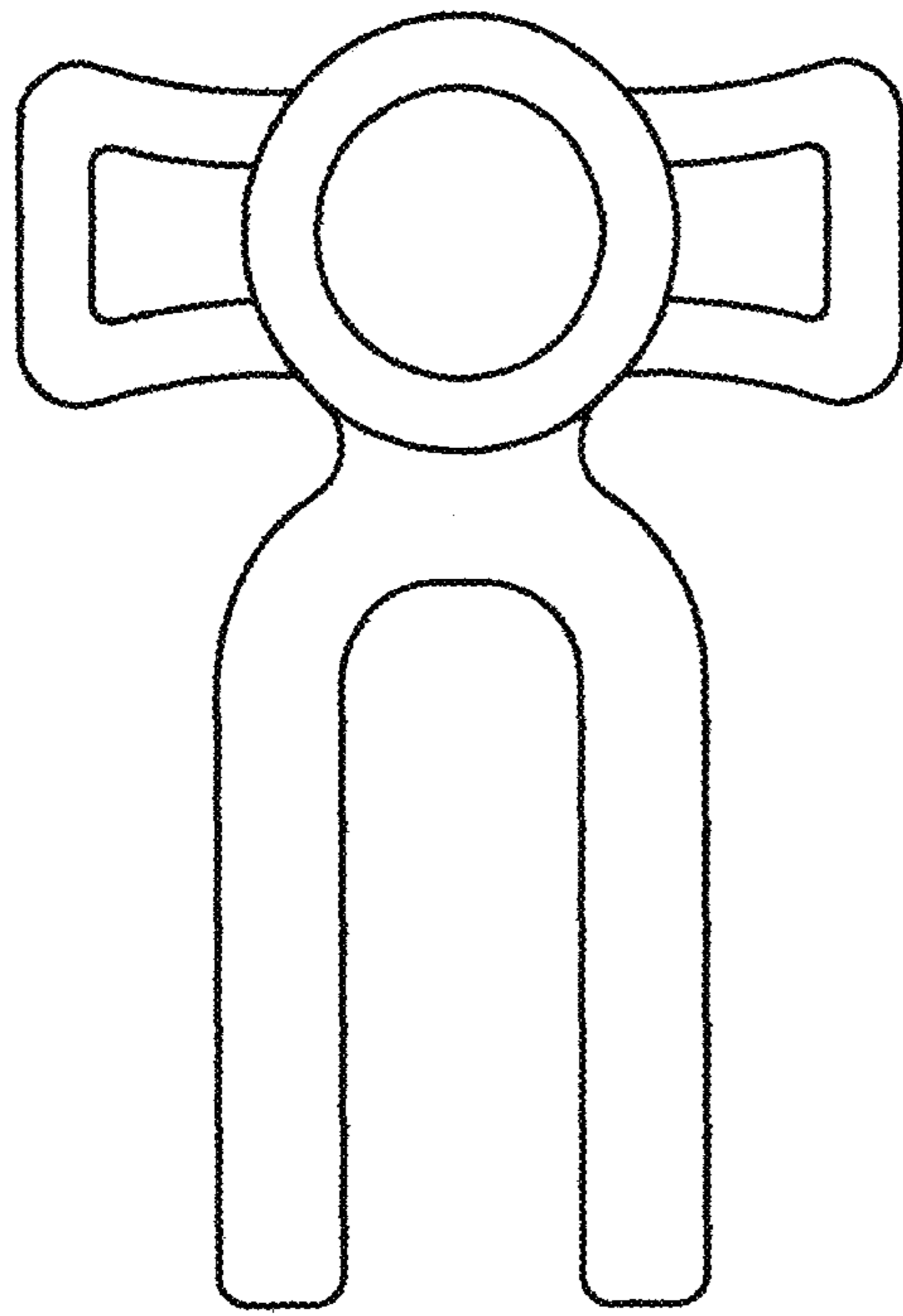


Fig. 4