



US00D798119S

(12) **United States Design Patent** (10) **Patent No.:** **US D798,119 S**
Locker et al. (45) **Date of Patent:** **** Sep. 26, 2017**

(54) **SHAPED PANCAKE MOLD**
(71) Applicants: **Howard J. Locker**, Dallas, TX (US);
Christopher M. Dorion, Elmhurst, IL (US)
(72) Inventors: **Howard J. Locker**, Dallas, TX (US);
Christopher M. Dorion, Elmhurst, IL (US)
(73) Assignee: **LOCKER DORION ASSOCIATES, INC.**, Addison, TX (US)
(**) Term: **14 Years**
(21) Appl. No.: **29/522,813**
(22) Filed: **Apr. 2, 2015**
(51) **LOC (10) Cl.** **07-04**
(52) **U.S. Cl.**
USPC **D7/672**
(58) **Field of Classification Search**
USPC D7/672, 673-676, 357, 686-688,
D7/409-410, 354; D15/90, 80; 99/426;
D1/102-105; D9/757; 426/241
CPC A47J 43/20; A47J 43/282; A47J 43/283;
A47J 43/288; A22C 7/00; A22C 7/0076;
A22C 7/0023; A22C 7/0046; A21B
3/132; A21B 3/133; A21B 3/138; A21B
3/139; A63B 45/00; A63B 45/02; A23G
9/26; A23G 9/503; A23G 9/221; A23G
9/083
See application file for complete search history.

(56) **References Cited**
U.S. PATENT DOCUMENTS
1,292,476 A * 1/1919 Kayanagh B65D 43/162
D7/357
D162,041 S * 2/1951 Klein D7/672
2,824,510 A * 2/1958 Gangwer A47J 37/10
99/426
D207,406 S * 4/1967 Van Meter D7/357

3,717,083 A * 2/1973 Karapetian A47J 36/022
D7/409
4,488,479 A * 12/1984 Sloan A47J 37/10
99/426
D329,003 S 9/1992 Jones
D333,761 S 3/1993 Dicochea
6,813,994 B2 * 11/2004 Williams A47J 37/067
99/343
D500,426 S * 1/2005 Newman D7/357
7,011,015 B1 3/2006 Marghella
D568,691 S * 5/2008 Ewald D7/611
D609,525 S * 2/2010 Rabanal D7/409
D651,450 S * 1/2012 Pallotto D7/672
8,381,639 B2 * 2/2013 Ewald A47J 43/20
426/614
D684,019 S * 6/2013 Facey D7/354
8,474,372 B2 * 7/2013 Stacey A47J 29/02
D7/357
D690,553 S * 10/2013 Tosdale D7/354
D699,506 S * 2/2014 Lee D7/354
D740,622 S * 10/2015 Tandon D7/675

(Continued)

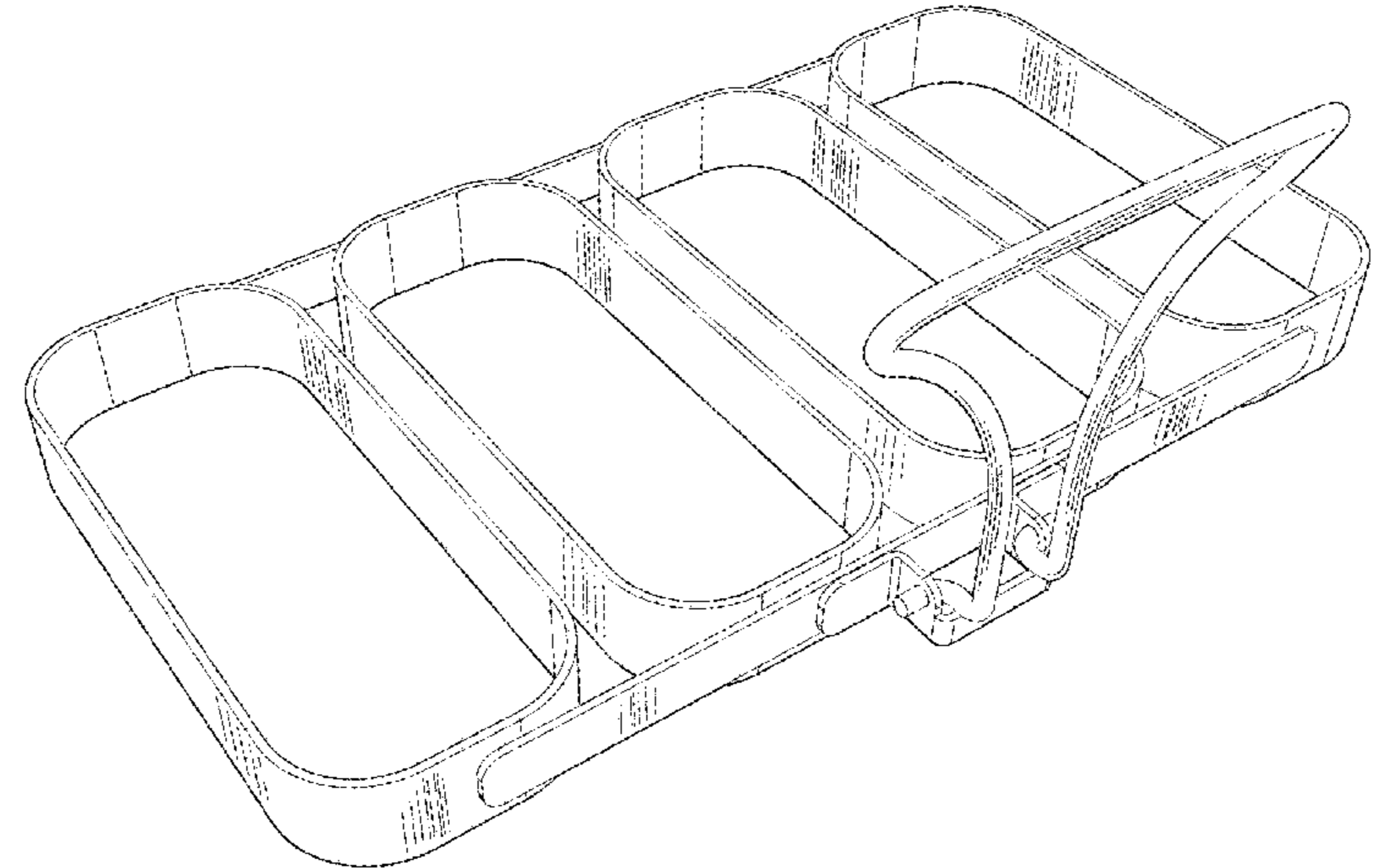
Primary Examiner — Susan Bennett Hattan
Assistant Examiner — Brett Miller
(74) *Attorney, Agent, or Firm* — Steven H. Washam;
Washam PLLC

(57) **CLAIM**
We claim the ornamental design for a shaped pancake mold,
as shown and described.

DESCRIPTION

FIG. 1 is a perspective view of a shaped pancake mold showing our new design;
FIG. 2 is a front elevational view thereof;
FIG. 3 is a rear elevational view thereof;
FIG. 4 is a left side elevational view thereof;
FIG. 5 is a right side elevational view thereof;
FIG. 6 is a top elevational view thereof; and,
FIG. 7 is a bottom elevational view thereof.

1 Claim, 7 Drawing Sheets



(56)

References Cited

U.S. PATENT DOCUMENTS

D752,913 S * 4/2016 Taylor D7/354
D758,131 S * 6/2016 Varney D7/357
2004/0194637 A1 10/2004 Gallina
2005/0235838 A1* 10/2005 Cohn A47J 37/1295
99/426
2006/0117963 A1* 6/2006 Schneider A47J 43/20
99/403
2007/0224333 A1* 9/2007 Ewald A47J 43/20
426/614
2012/0280106 A1 11/2012 Mills
2015/0164088 A1 6/2015 Polashaev et al.

* cited by examiner

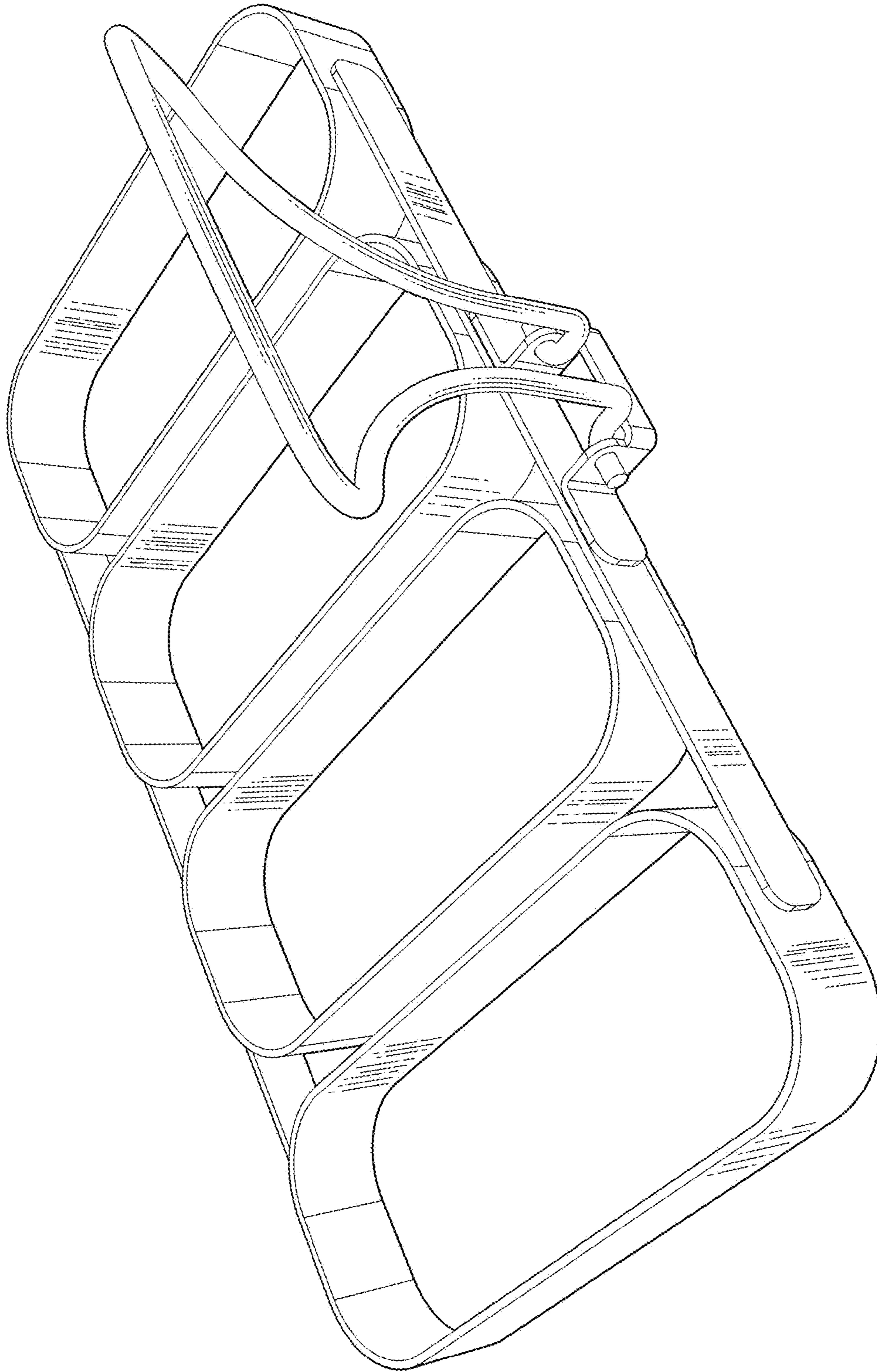


FIG. 1

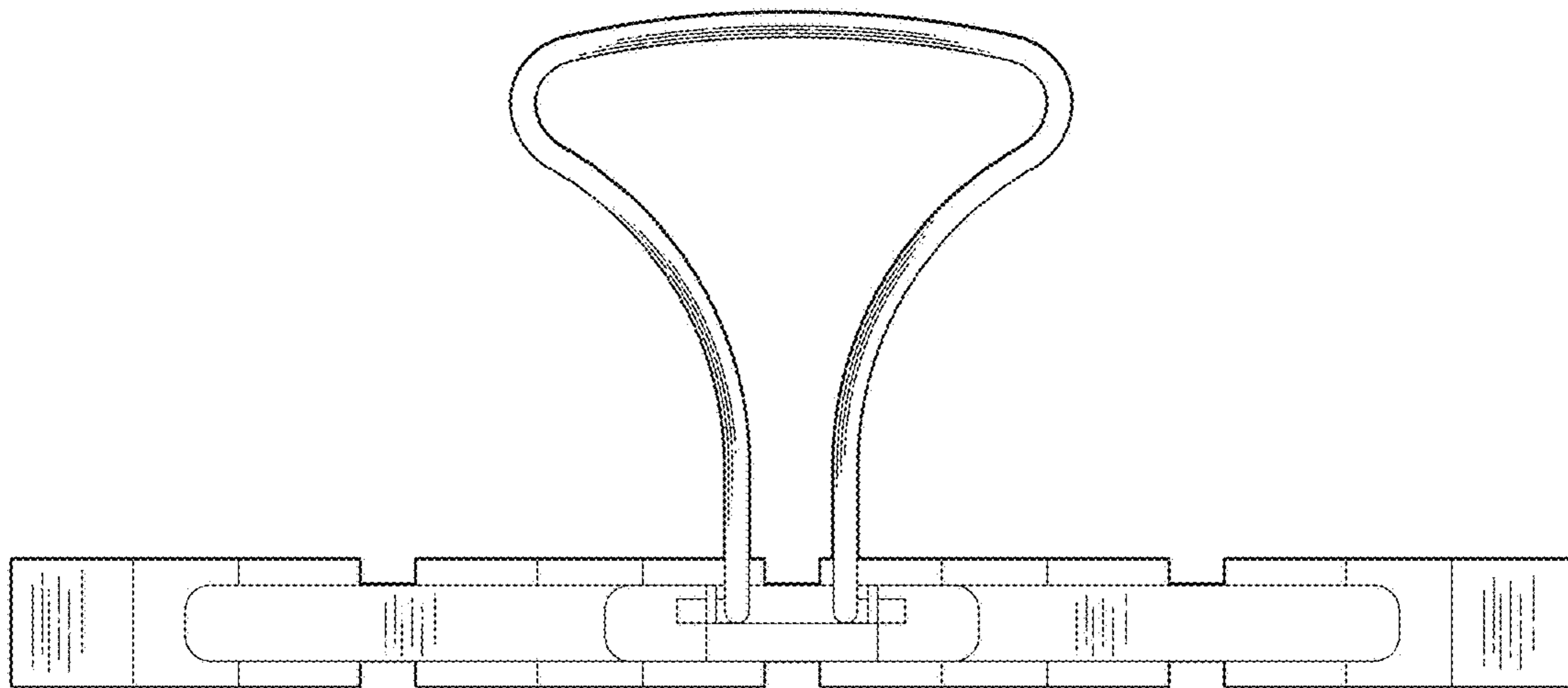


FIG. 2

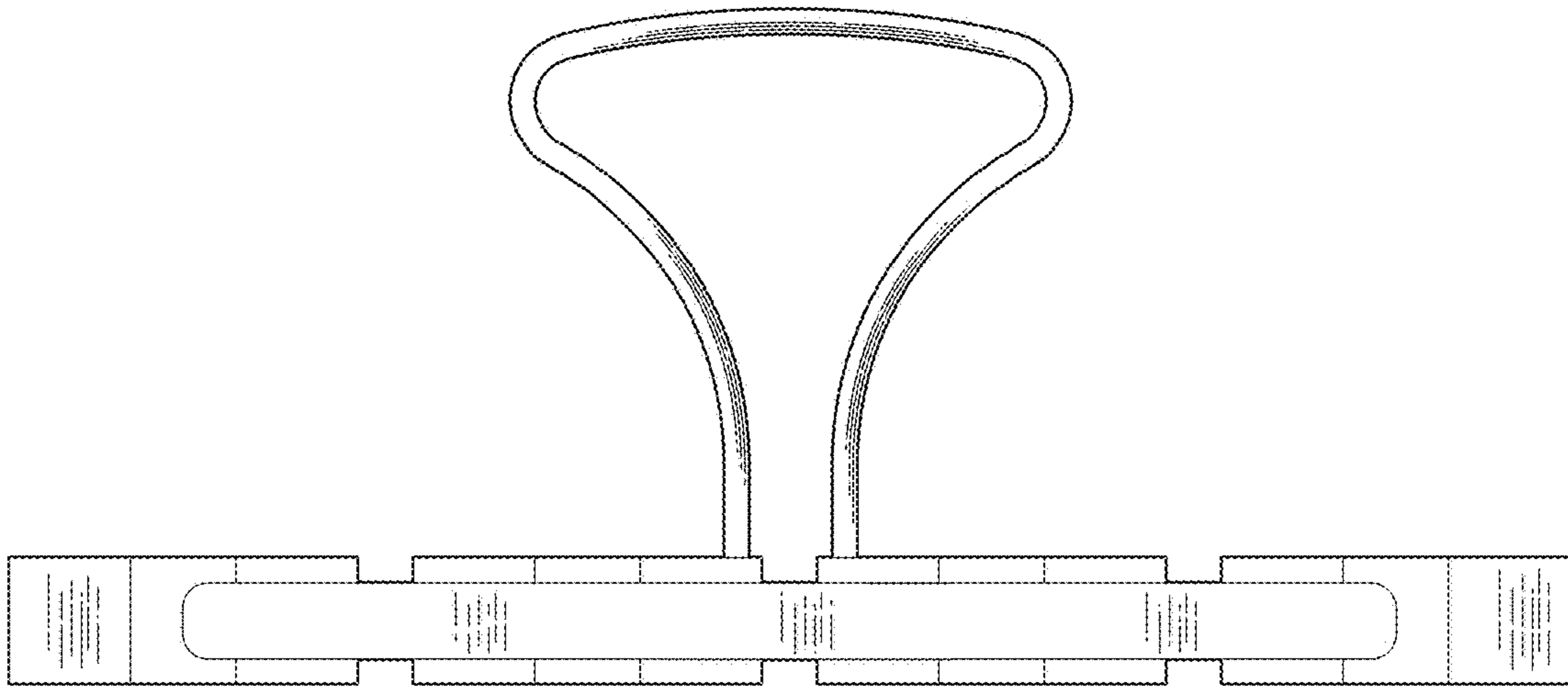


FIG. 3

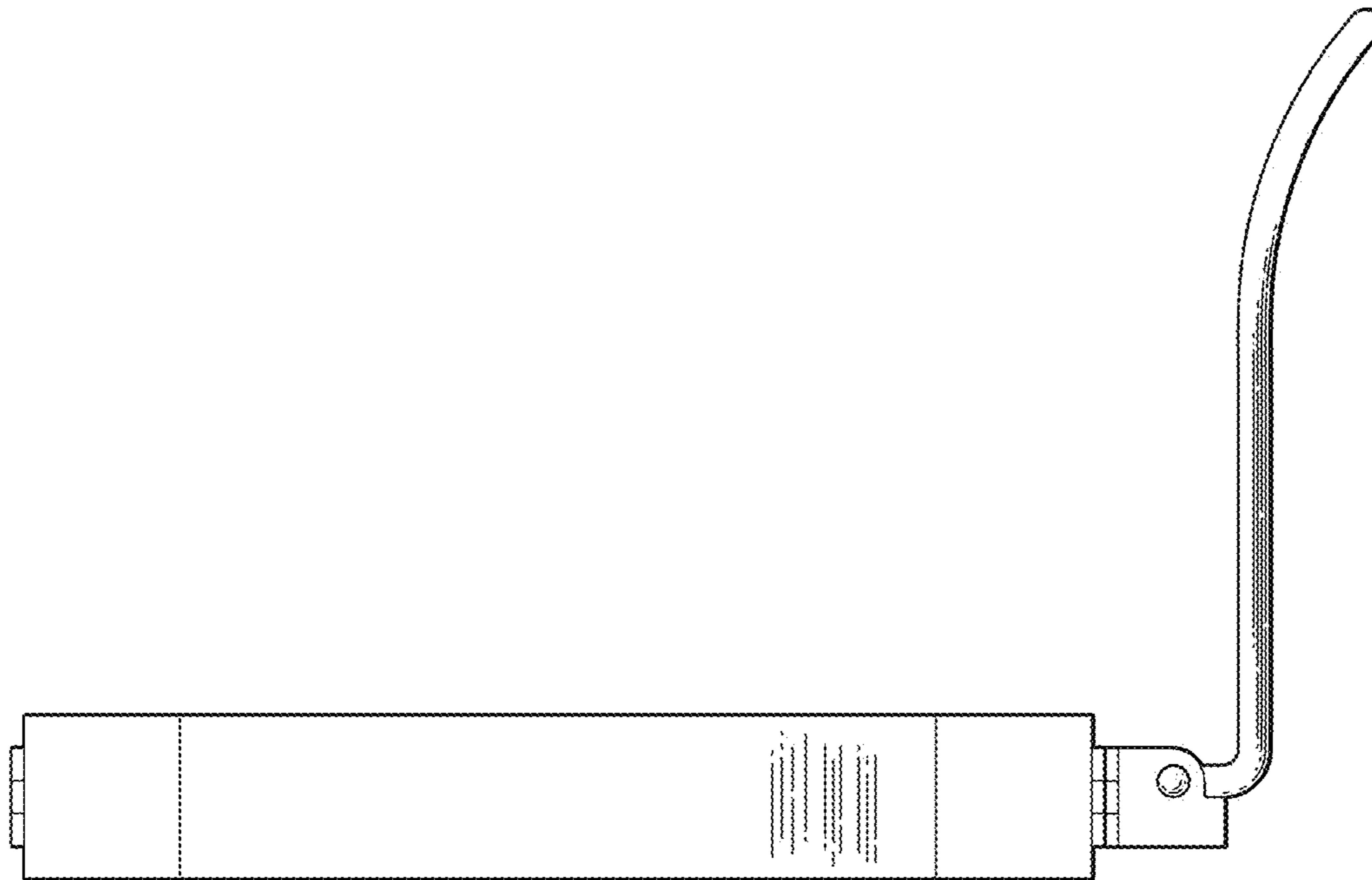


FIG. 4

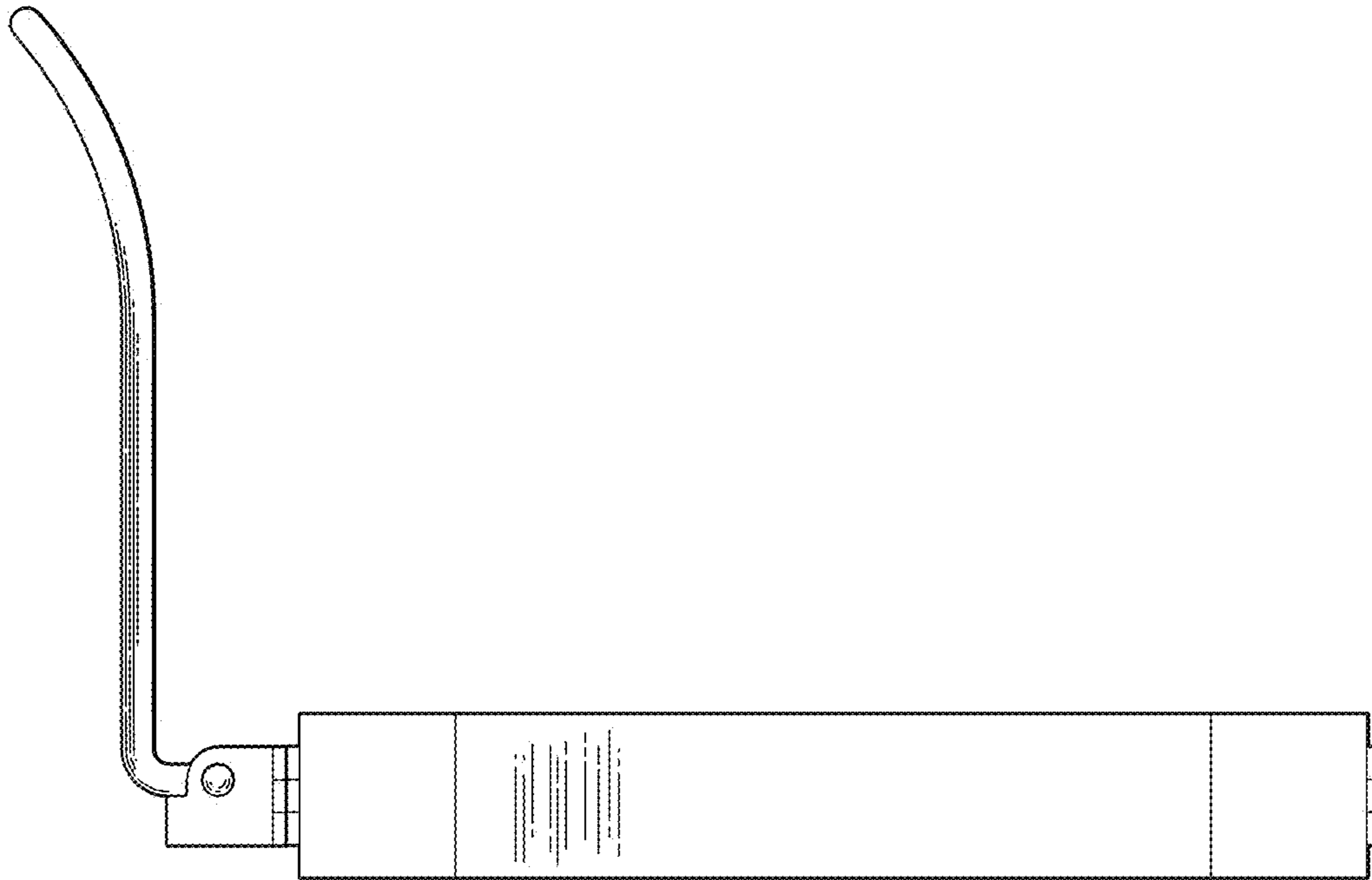


FIG. 5

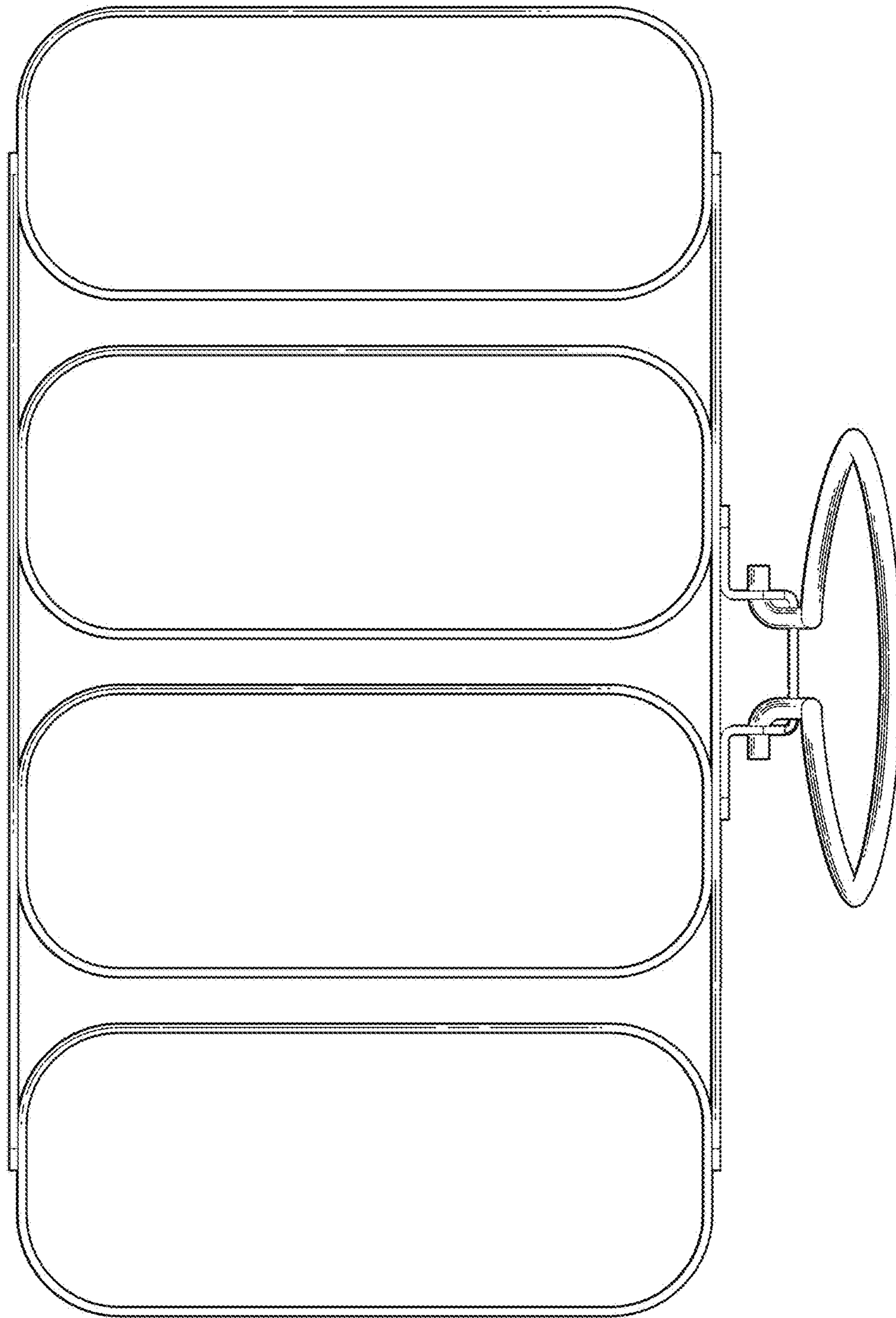


FIG. 6

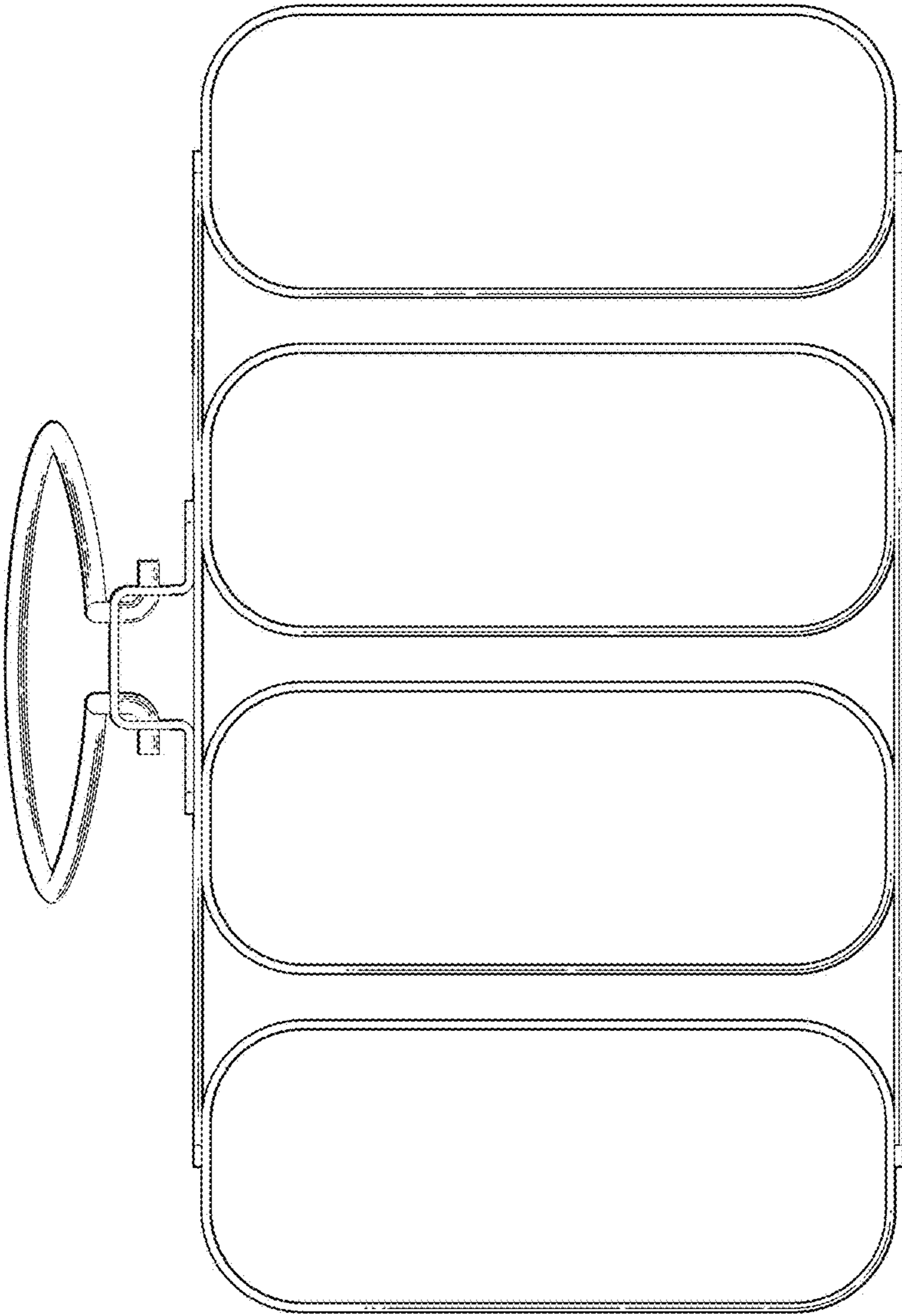


FIG. 7