



US00D798116S

(12) **United States Design Patent** (10) **Patent No.:** **US D798,116 S**
Thonis et al. (45) **Date of Patent:** **** Sep. 26, 2017**

- (54) **SERVING VESSEL**
- (71) Applicant: **Lenox Corporation**, Bristol, PA (US)
- (72) Inventors: **Paul Thonis**, New Hope, PA (US);
Emily C. Matt, Haddonfield, NJ (US)
- (73) Assignee: **LENOX CORPORATION**, Bristol, PA (US)
- (**) Term: **15 Years**
- (21) Appl. No.: **29/536,111**
- (22) Filed: **Aug. 13, 2015**

- D677,124 S * 3/2013 Montgomery D7/360
- D694,067 S 11/2013 Chan et al.
- D717,118 S 11/2014 Frerichs et al.
- D763,625 S * 8/2016 Wright D7/545

OTHER PUBLICATIONS

Paul Thonis, "Kobestyle Timeline," Lenox Corporation, internal memo (pertinent portions), 2012, 4 pages.
 Kobestyle Large Baker, 1 page, French production, prior to 2000. Photos by Paul Thonis, 2012.
 Kobestyle Large Buffet Server, 1 page, French production, prior to 2000. Photos by Paul Thonis, 2012.
 Office Action, mailed on Apr. 20, 2015, in related Design U.S. Appl. No. 29/453,789.
 Notice of Allowance, mailed on May 15, 2015, in related Design U.S. Appl. No. 29/453,789.

Related U.S. Application Data

- (62) Division of application No. 29/453,789, filed on May 2, 2013, now Pat. No. Des. 738,688.
- (51) **LOC (10) Cl.** **07-01**
- (52) **U.S. Cl.**
USPC **D7/548**
- (58) **Field of Classification Search**
USPC D7/500, 543, 545, 548
See application file for complete search history.

* cited by examiner

Primary Examiner — Cynthia Underwood

(57) **CLAIM**

We claim the ornamental design for a serving vessel, as shown and described.

(56) **References Cited**

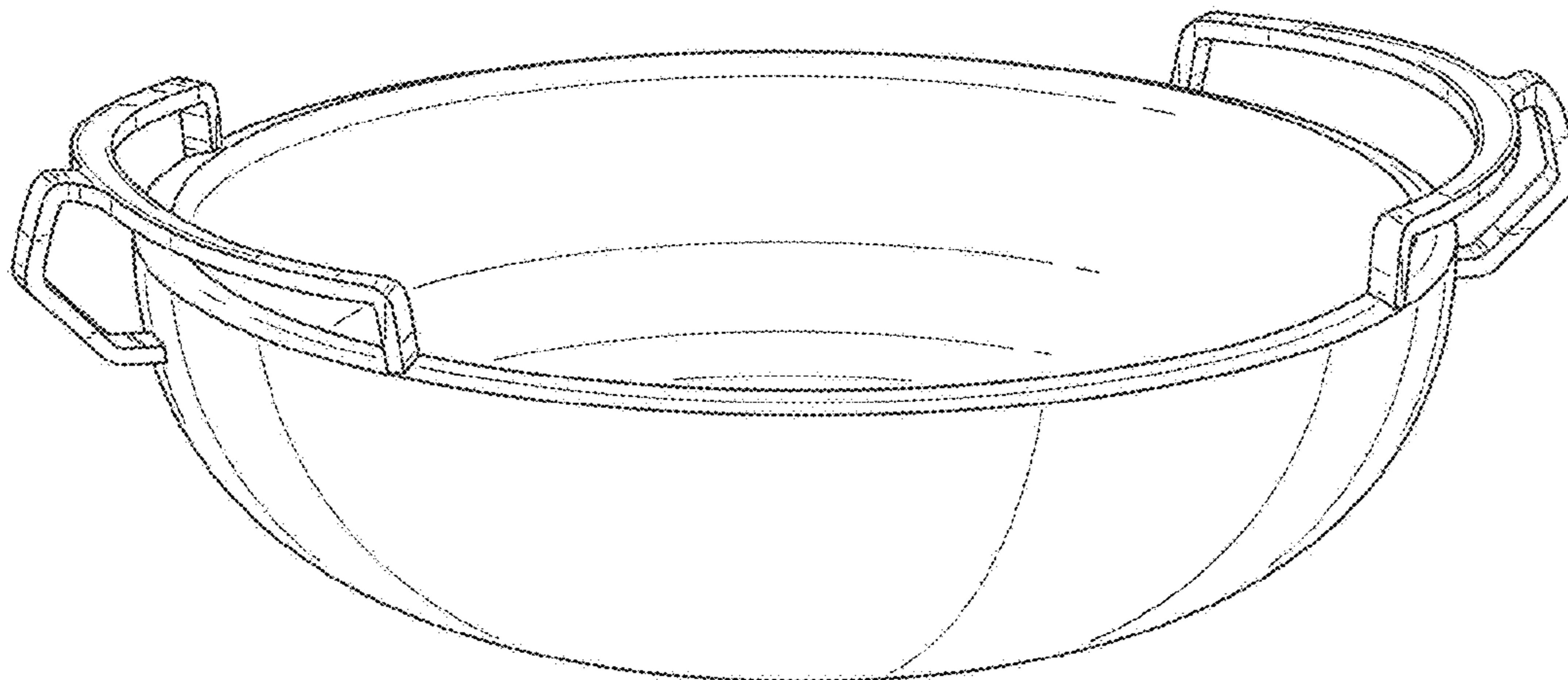
U.S. PATENT DOCUMENTS

- D81,309 S 6/1930 McCarthney
- D120,212 S 4/1940 Cantor
- D142,872 S 11/1945 Kerby
- D170,289 S * 8/1953 Skipp D7/507
- D196,377 S 9/1963 Ziskin
- D379,134 S 5/1997 Joergensen
- D379,135 S 5/1997 Vina
- D600,502 S 9/2009 Paslawski
- D607,280 S * 1/2010 Kellermann D7/548
- D616,249 S 5/2010 Galinski
- D635,402 S * 4/2011 Shah D7/538
- D645,307 S 9/2011 Shamoon

DESCRIPTION

FIG. 1 is a front perspective view of a first embodiment of our new design for a serving vessel, featuring the top, front and right sides thereof;
 FIG. 2 is a front elevational view thereof;
 FIG. 3 is a rear elevational view thereof;
 FIG. 4 is a left side elevational view thereof;
 FIG. 5 is a right side elevational view thereof;
 FIG. 6 is a top elevational view thereof; and,
 FIG. 7 is a bottom elevational view thereof.

1 Claim, 5 Drawing Sheets



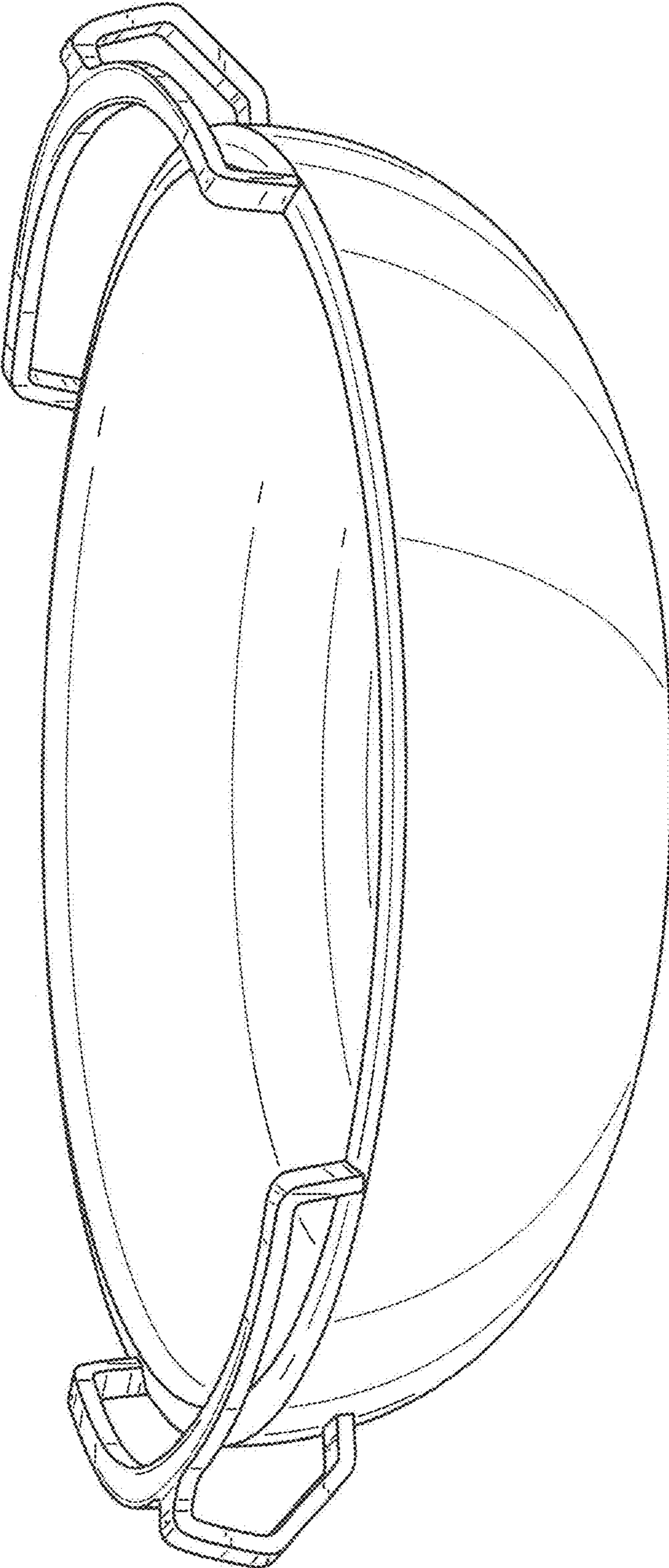


FIG. 1

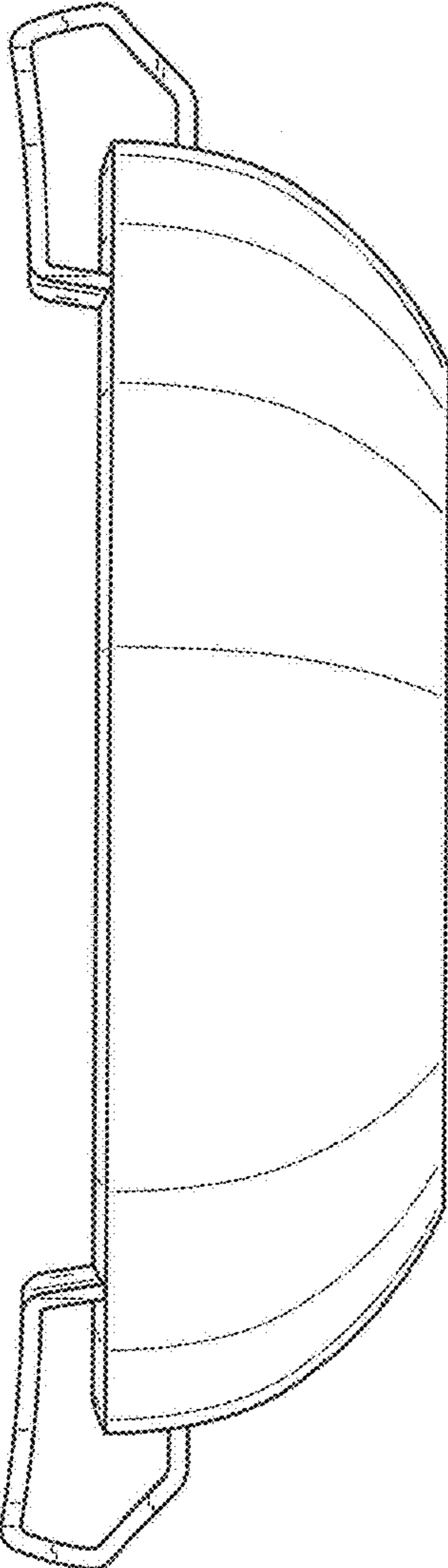


FIG. 2

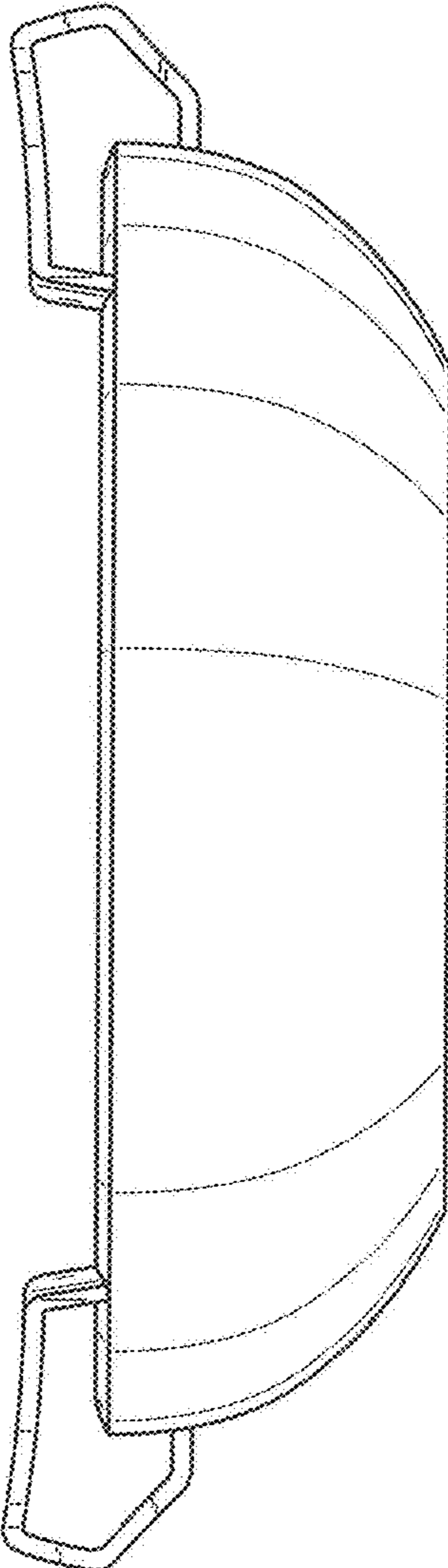


FIG. 3

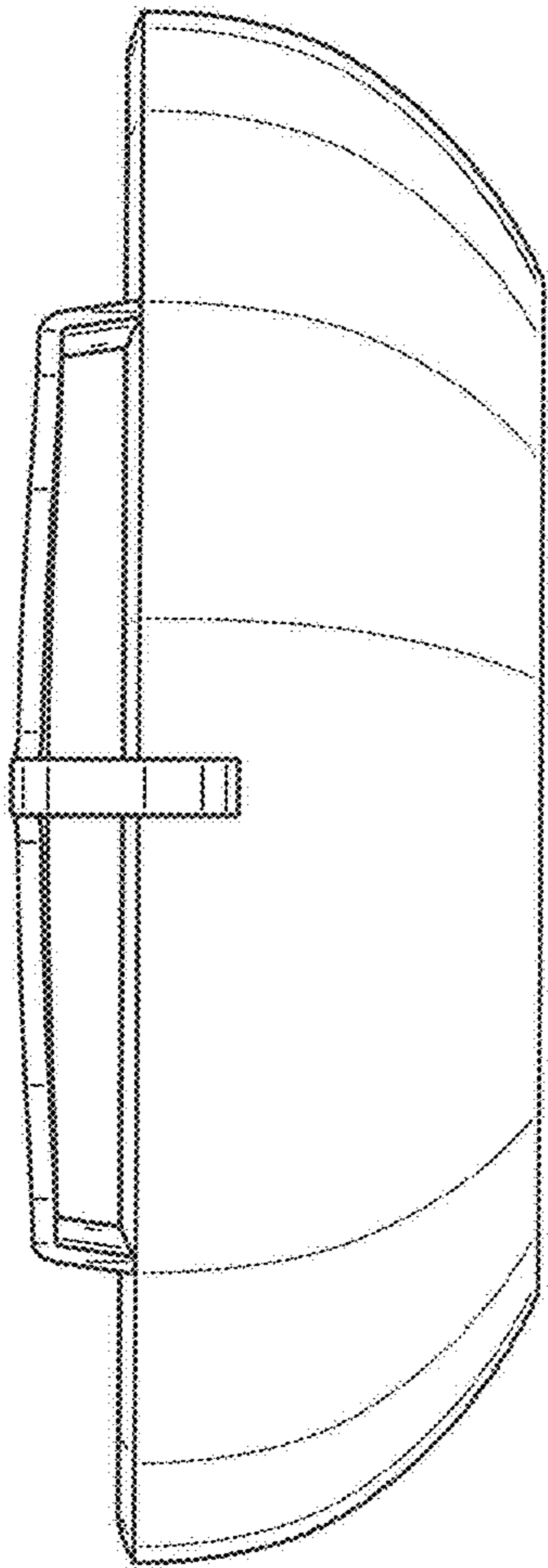


FIG. 4

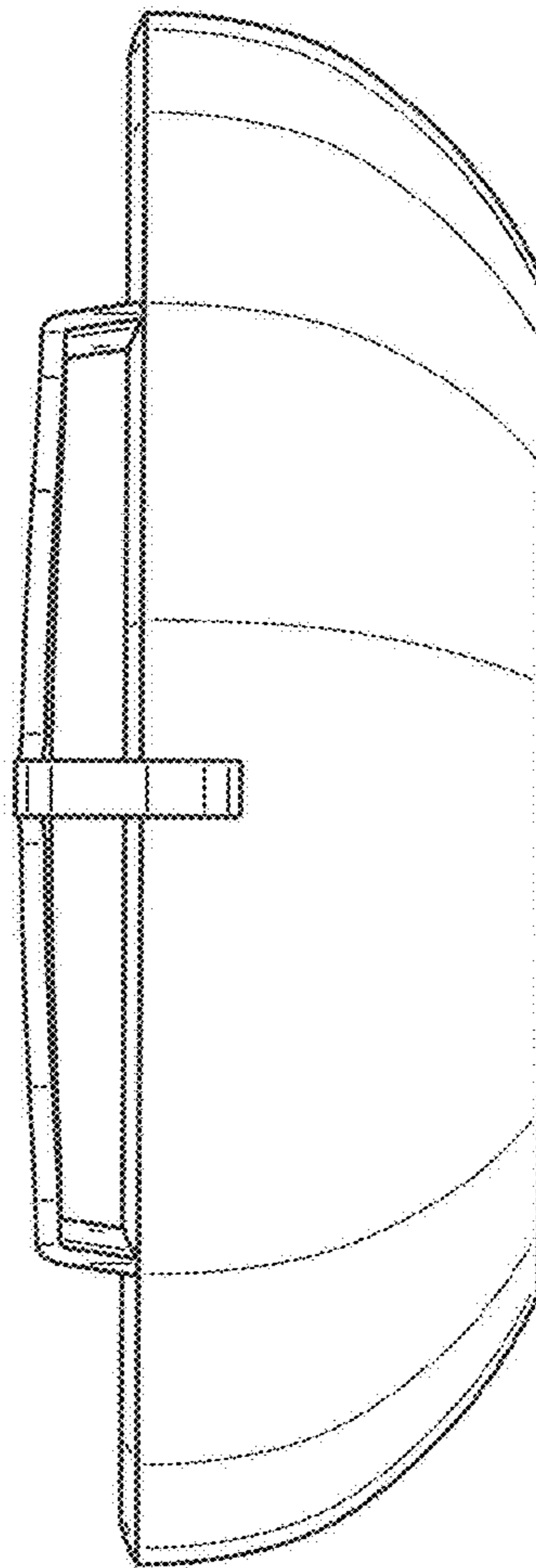


FIG. 5

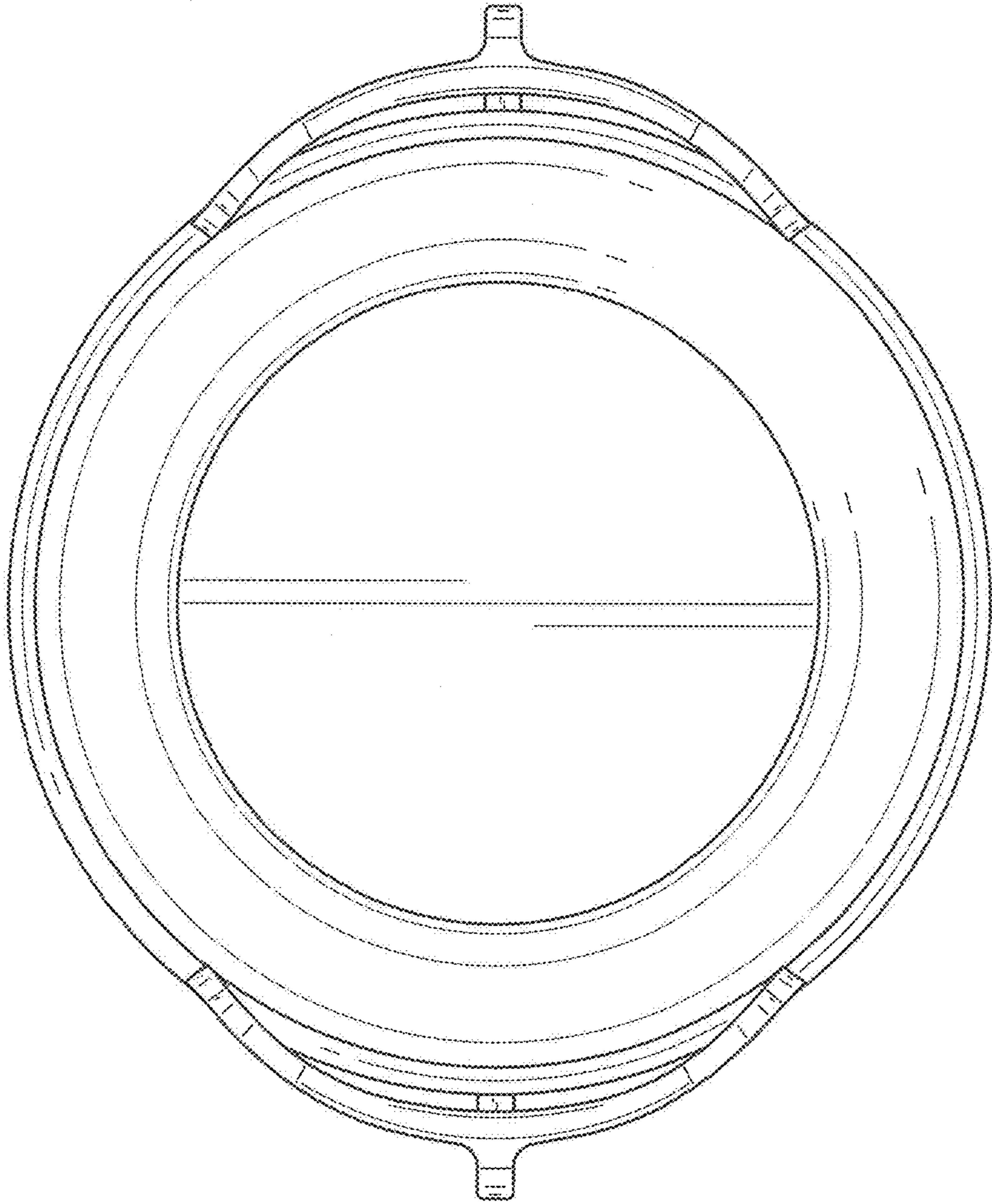


FIG. 6

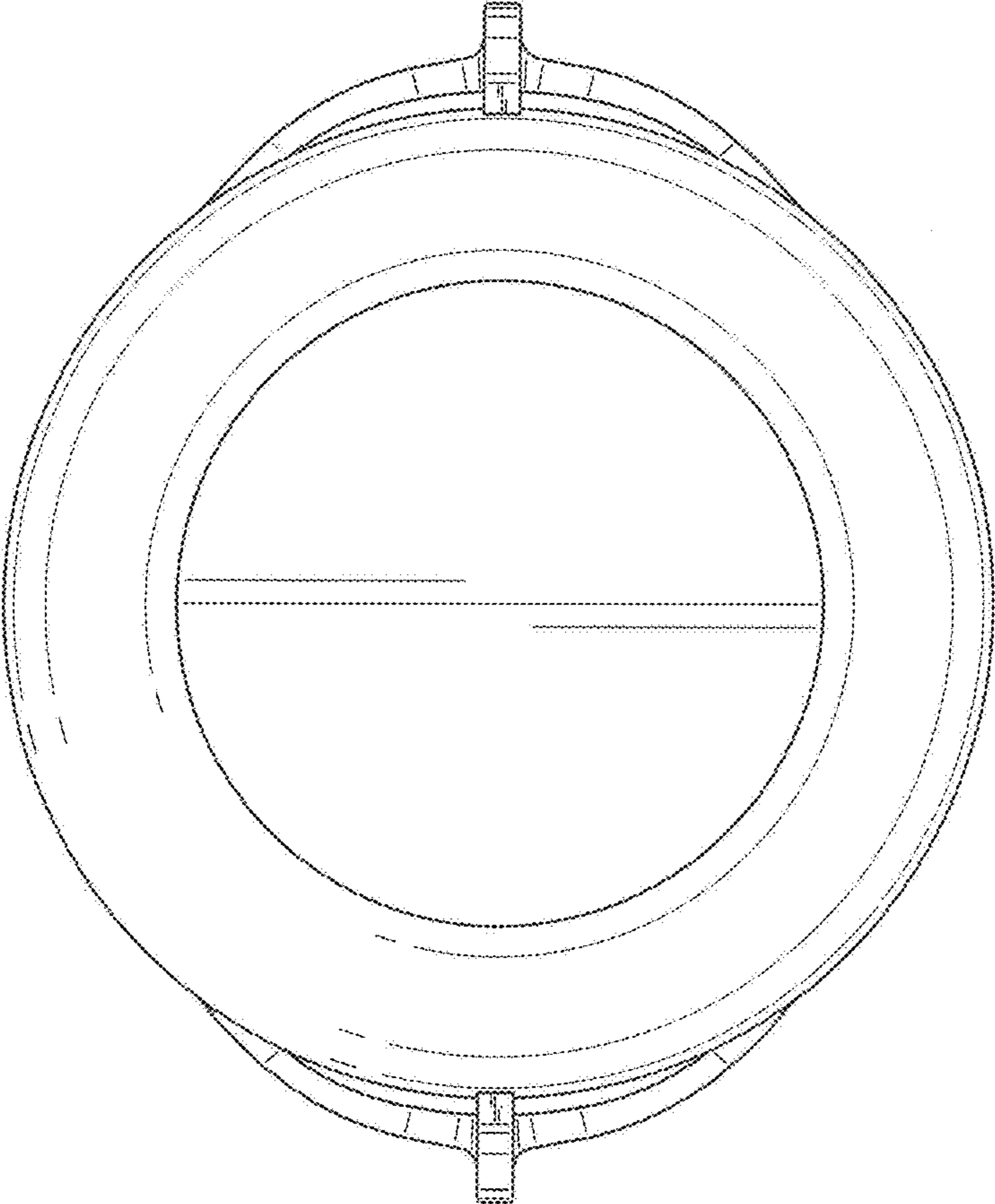


FIG. 7