



US00D798110S

(12) **United States Design Patent**
Valenti et al.

(10) **Patent No.:** **US D798,110 S**

(45) **Date of Patent:** **** Sep. 26, 2017**

(54) **CUP WITH INSERT**

(71) Applicant: **The Coca-Cola Company**, Atlanta, GA (US)

(72) Inventors: **Facundo Valenti**, Vicente Lopez (AR); **Natalia Picasso Kipreos**, Vicente Lopez (AR); **Diego Carrizo**, Buenos Aires (AR)

(73) Assignee: **The Coca-Cola Company**, Atlanta, GA (US)

(**) Term: **15 Years**

(21) Appl. No.: **29/547,823**

(22) Filed: **Dec. 8, 2015**

(51) **LOC (10) Cl.** **07-01**

(52) **U.S. Cl.**
USPC **D7/507; D7/510; D7/523; D7/529; D9/560; D9/552**

(58) **Field of Classification Search**

USPC D7/507, 509, 510, 511, 512, 513, 523, D7/529, 530, 531, 532, 608, 300, 300.1, D7/591, 598, 312, 392.1, 396.2, 398, 397, D7/213, 305, 396.1; D9/501, 502, 500, D9/503, 505, 516, 523, 530, 537, 546, D9/550, 552, 563, 565, 569, 571, 434, D9/447, 440, 557, 521, 522, 575; D3/202; 220/592.16, 592.17, 200, 703
CPC A45F 3/16; B65D 47/066; A47G 19/2272; A47G 19/2266; A47J 43/27
See application file for complete search history.

(56) **References Cited**

U.S. PATENT DOCUMENTS

D329,170 S * 9/1992 Hoffer D7/509
D498,382 S * 11/2004 Davis D7/300.1
D525,082 S * 7/2006 Copeland D7/523
D603,221 S * 11/2009 Liu D7/523

D604,169 S * 11/2009 Melossi D9/538
D607,730 S * 1/2010 Lepoitevin D9/516
D696,949 S * 1/2014 Reeber D9/516
D701,123 S * 3/2014 Lo D9/538
D709,330 S * 7/2014 Holmes D7/523
D719,449 S * 12/2014 Eaton D9/516
D722,827 S * 2/2015 Dirks D7/510
D730,692 S * 6/2015 Davis D7/509

(Continued)

Primary Examiner — Marianne Pandozzi

Assistant Examiner — Jae Liang

(74) *Attorney, Agent, or Firm* — Cynthia R. Parks; Parks IP Law LLC

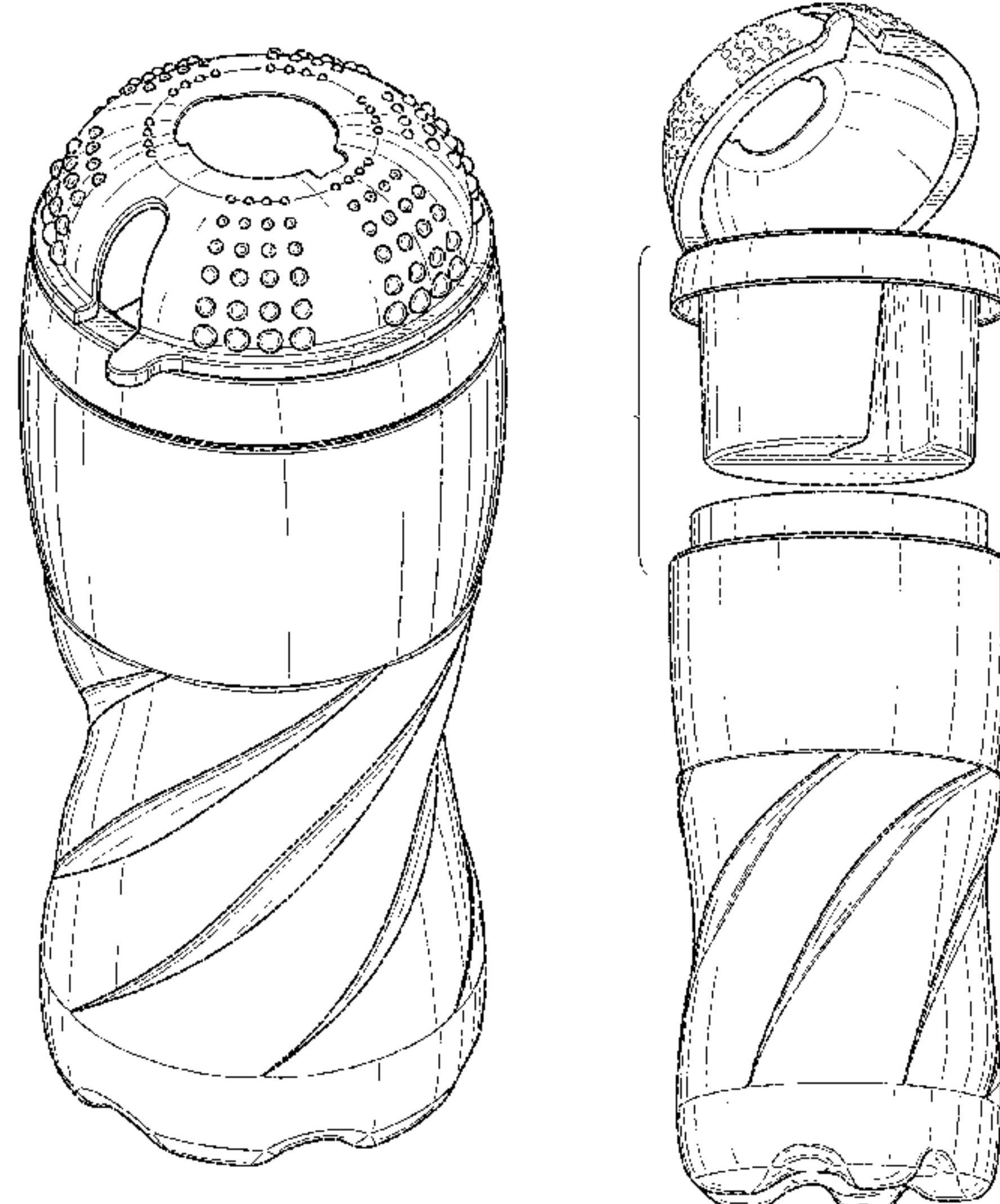
(57) **CLAIM**

We claim the ornamental design for a cup with insert, as shown and described.

DESCRIPTION

FIG. 1 is a perspective view of a cup with insert showing our new design;
FIG. 2 is a right side view thereof;
FIG. 3 is a left side view thereof;
FIG. 4 is a front view thereof;
FIG. 5 is a rear view thereof;
FIG. 6 is a top view thereof;
FIG. 7 is a bottom view thereof;
FIG. 8 is an exploded perspective view of the cup with insert in accordance with our new design;
FIG. 9 is an exploded right side view thereof;
FIG. 10 is an exploded left side view thereof;
FIG. 11 is an exploded front view thereof;
FIG. 12 is an exploded rear view thereof;
FIG. 13 is a top view thereof;
FIG. 14 is a bottom view thereof; and,
FIG. 15 is a bottom exploded perspective view of a cup with insert in accordance with our new design.
The substantially vertical shade lines in the figures are a drafting convention used to illustrate the contour of the bottle and should not be viewed as surface ornamentation.

1 Claim, 9 Drawing Sheets



(56)

References Cited

U.S. PATENT DOCUMENTS

D734,640 S *	7/2015	Broen	D7/509
D739,752 S *	9/2015	Eaton	D9/540
D758,137 S *	6/2016	Soltz	D7/608
D784,768 S *	4/2017	Lee	D7/511
2007/0125743 A1 *	6/2007	Pritchett, Jr.	B65D 1/0223 215/379

* cited by examiner

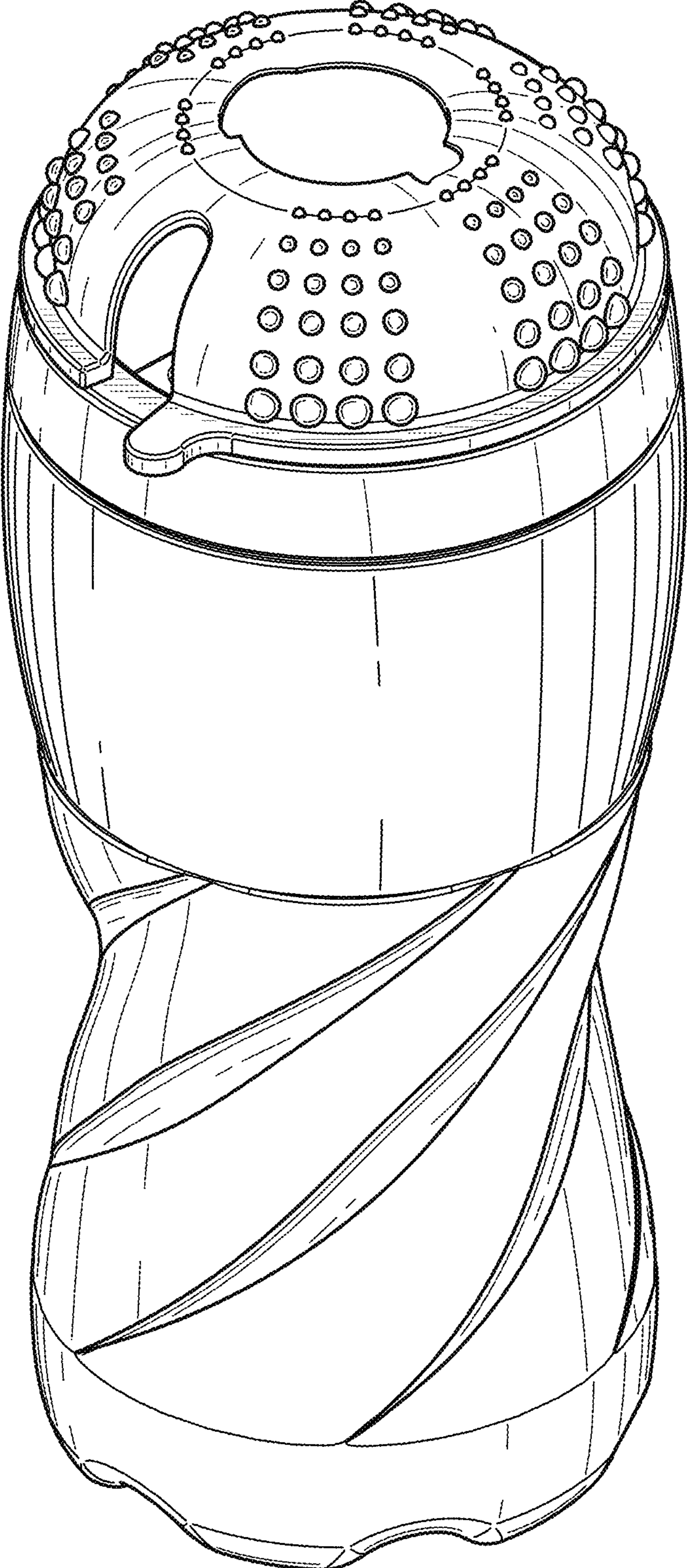


FIG. 1

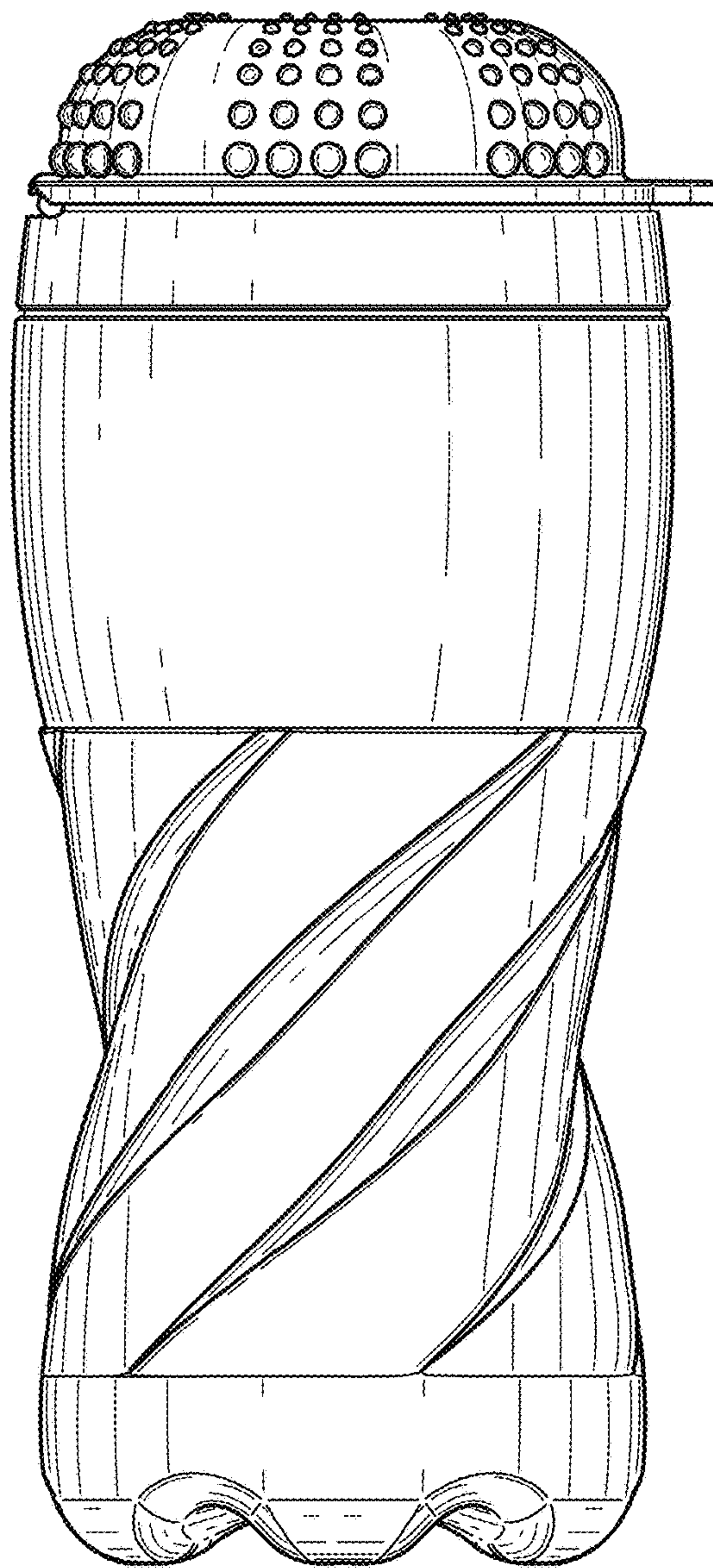


FIG. 2

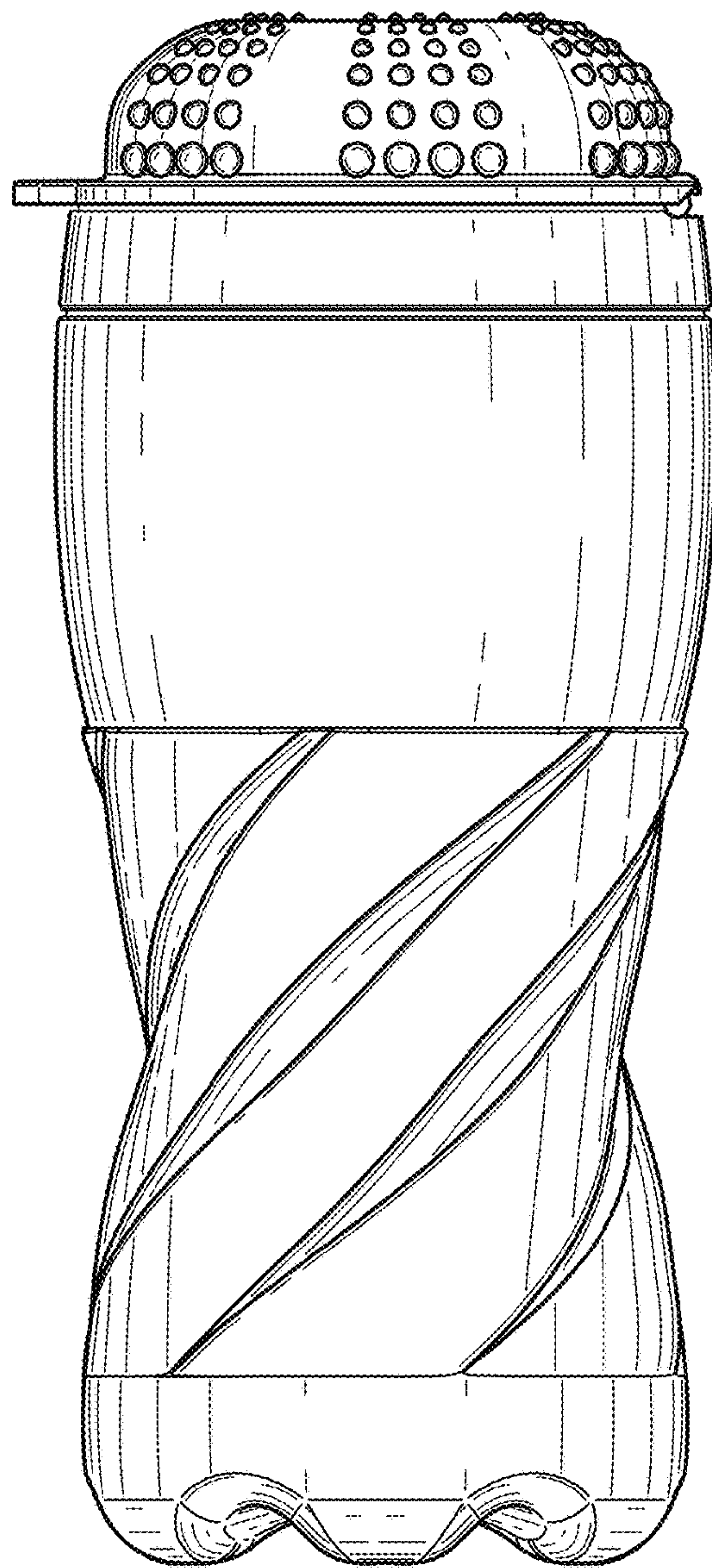


FIG. 3

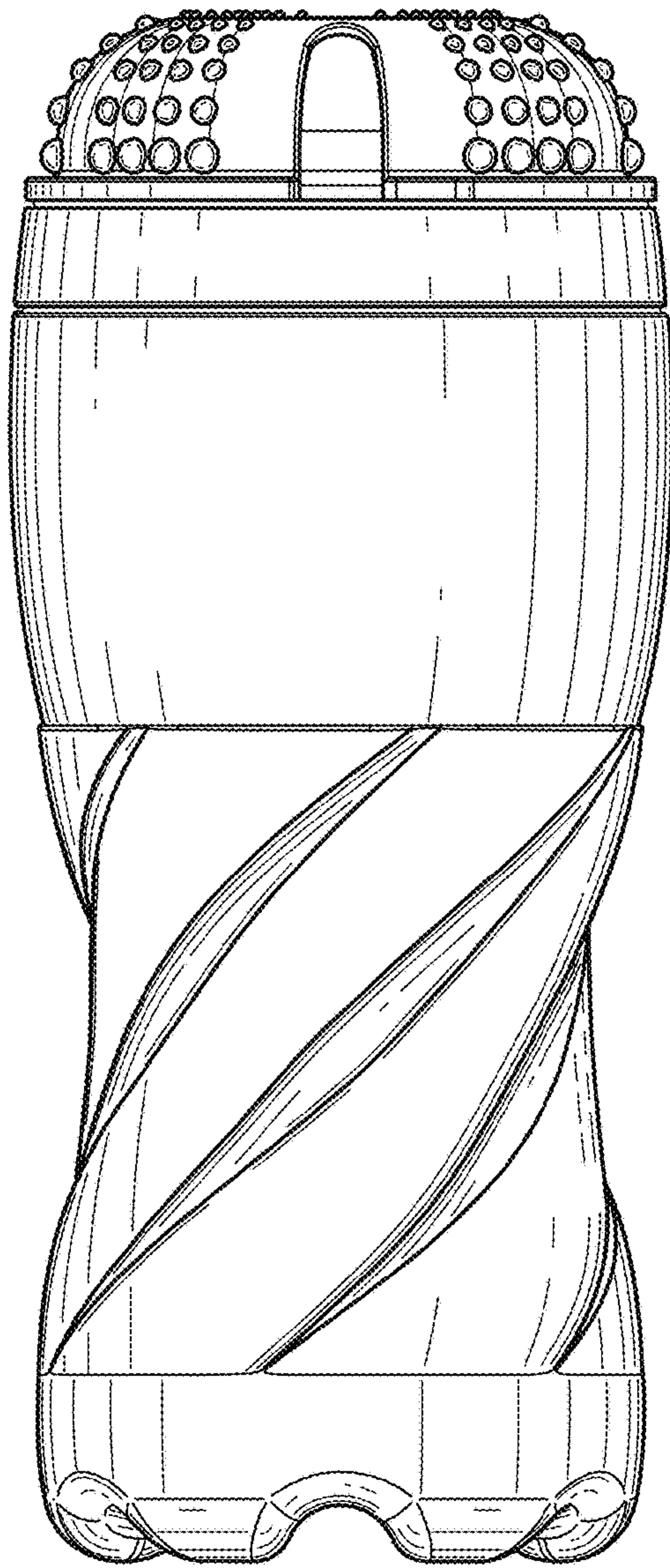


FIG. 4

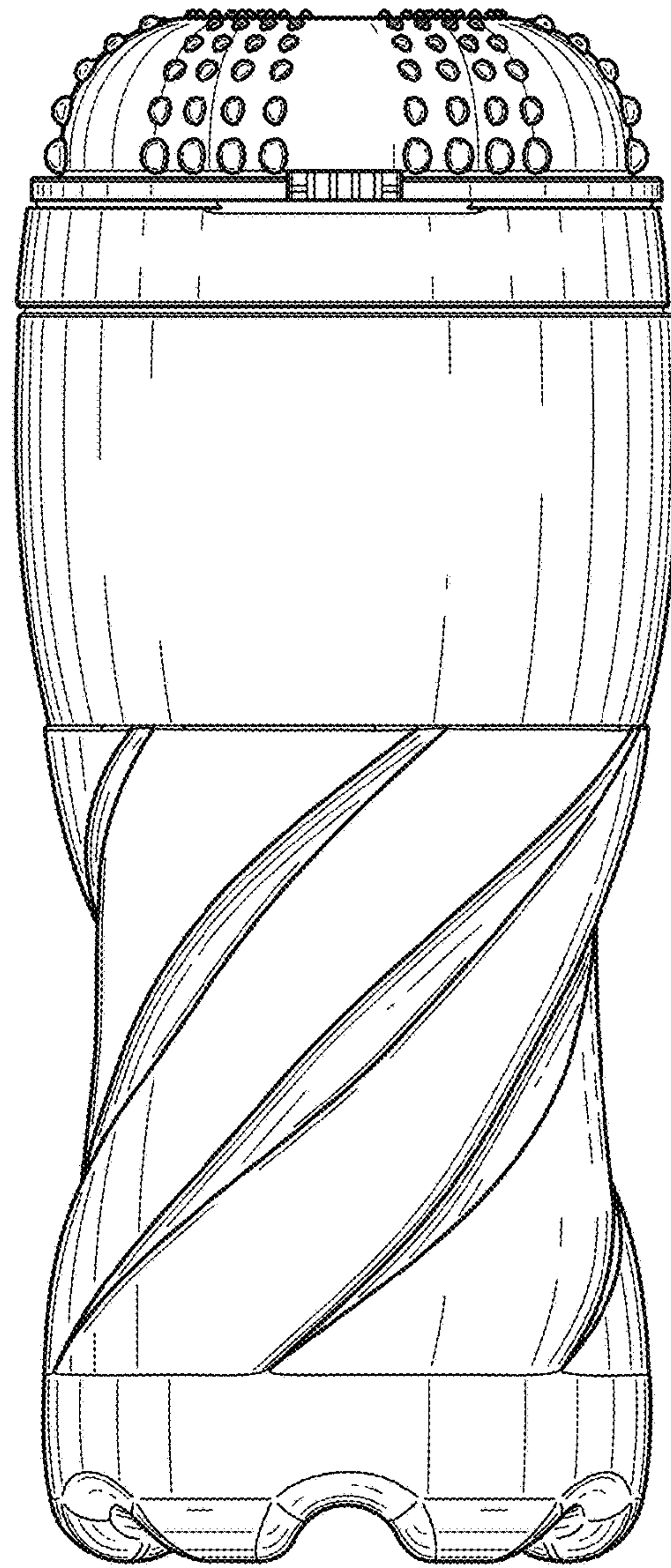


FIG. 5

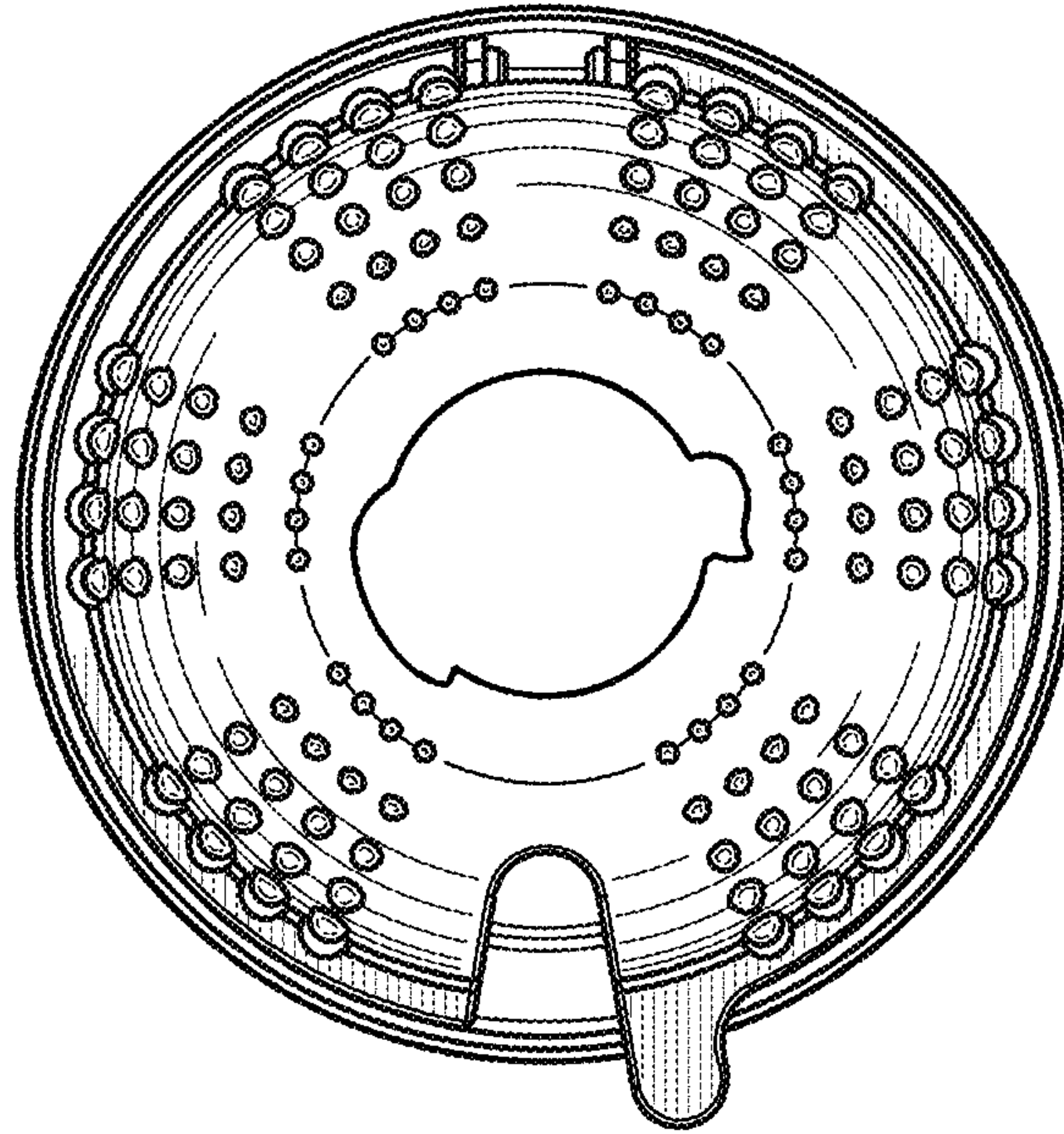


FIG. 6

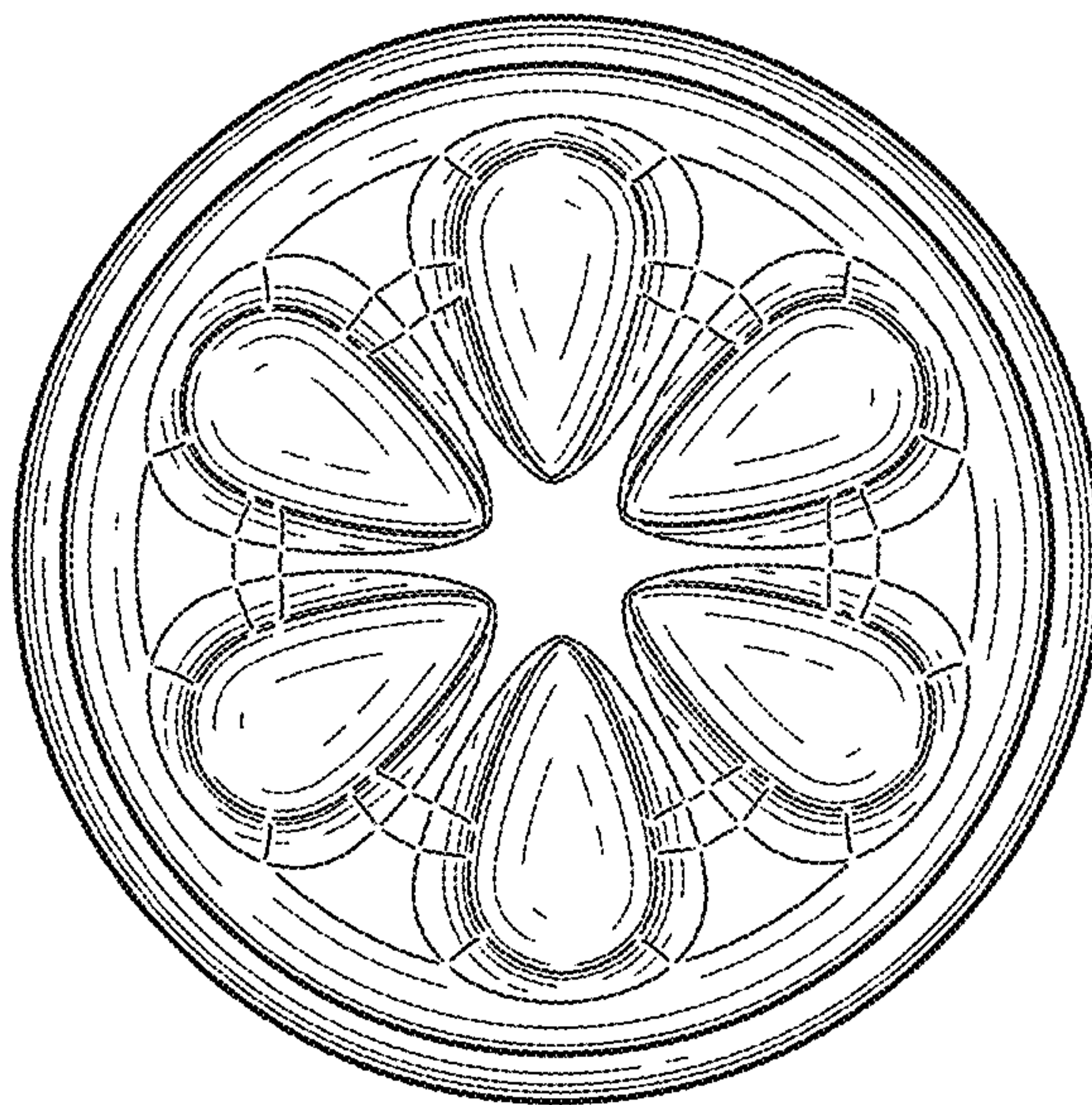


FIG. 7

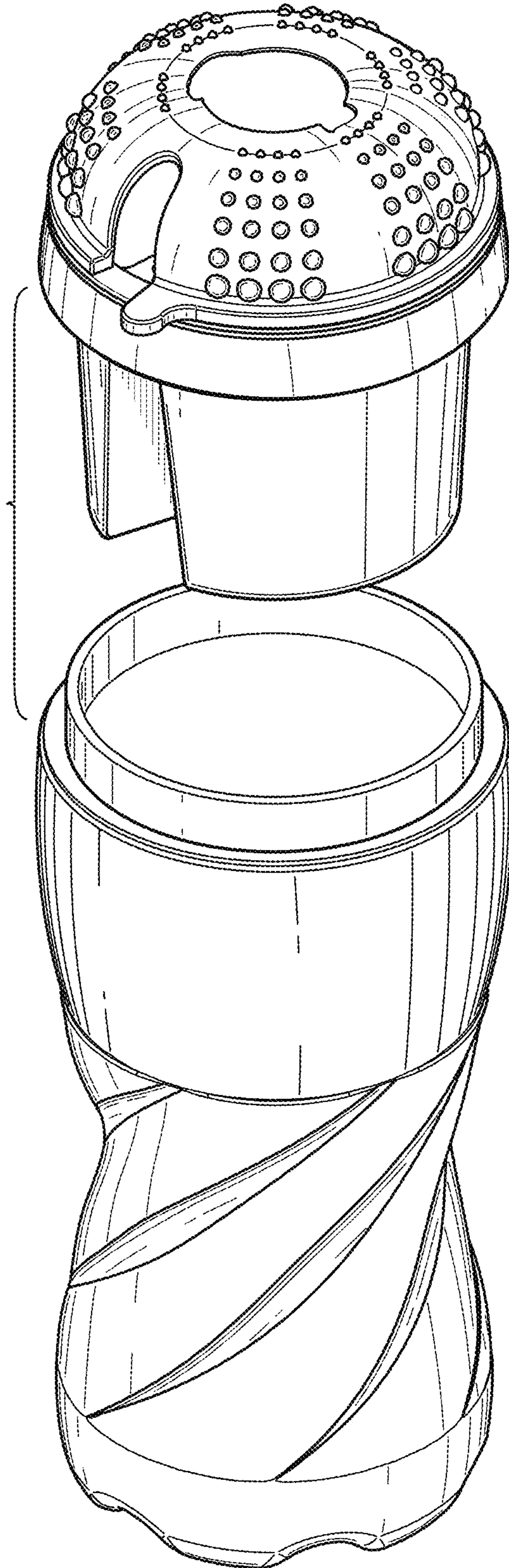


FIG. 8

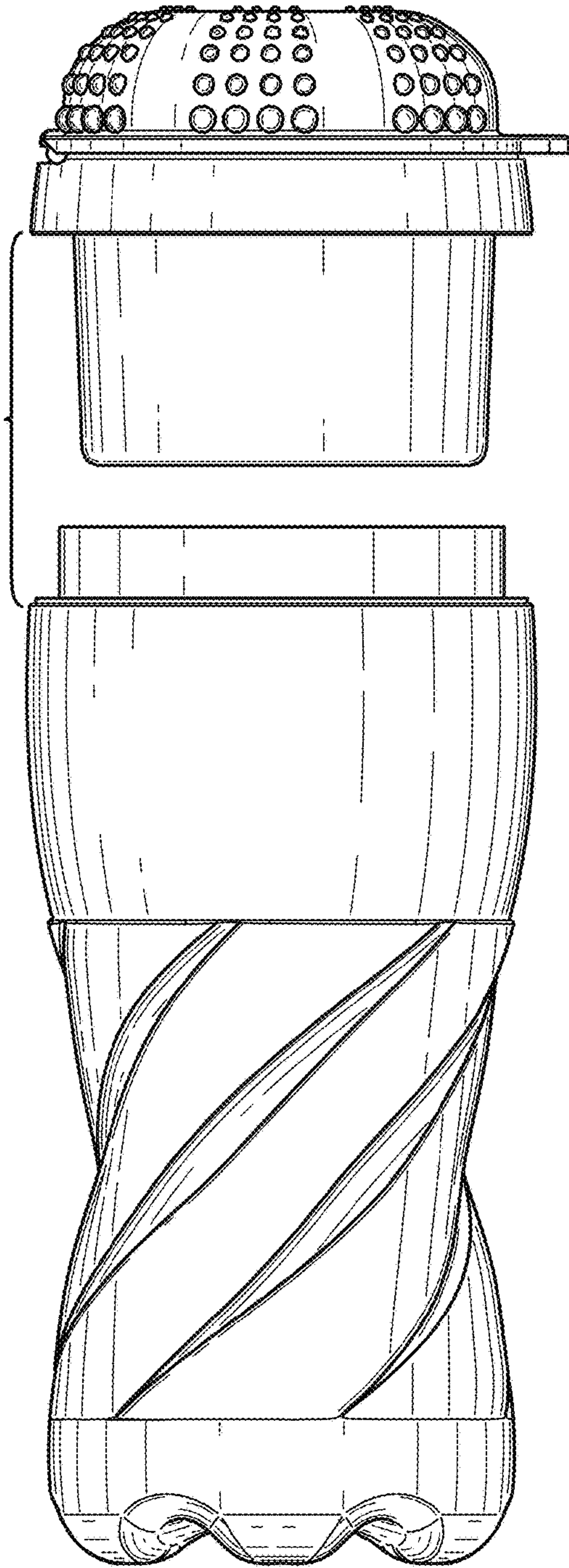


FIG. 9

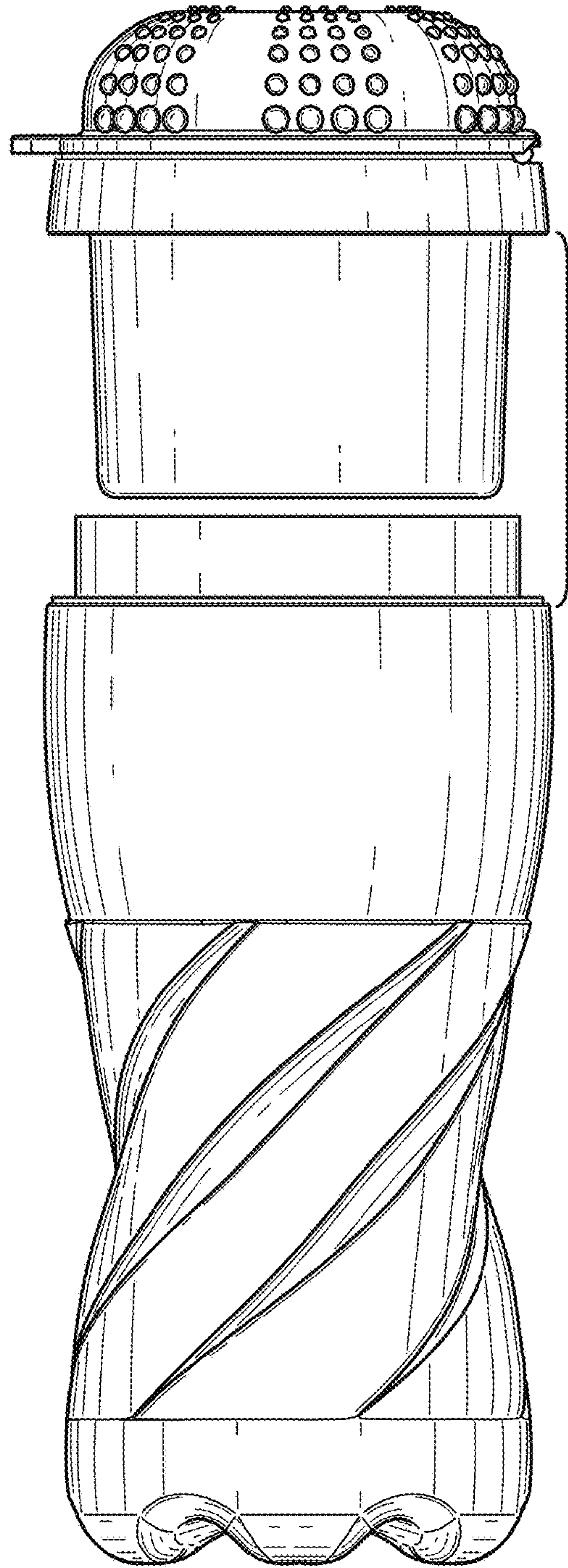


FIG. 10

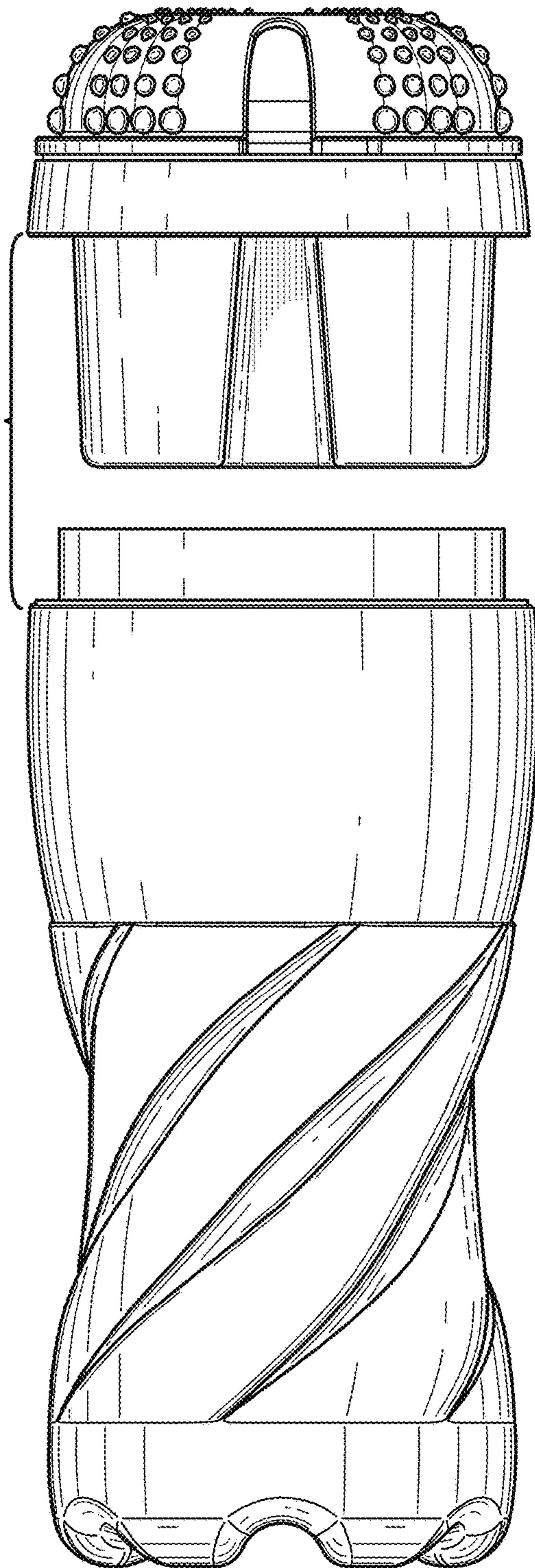


FIG. 11

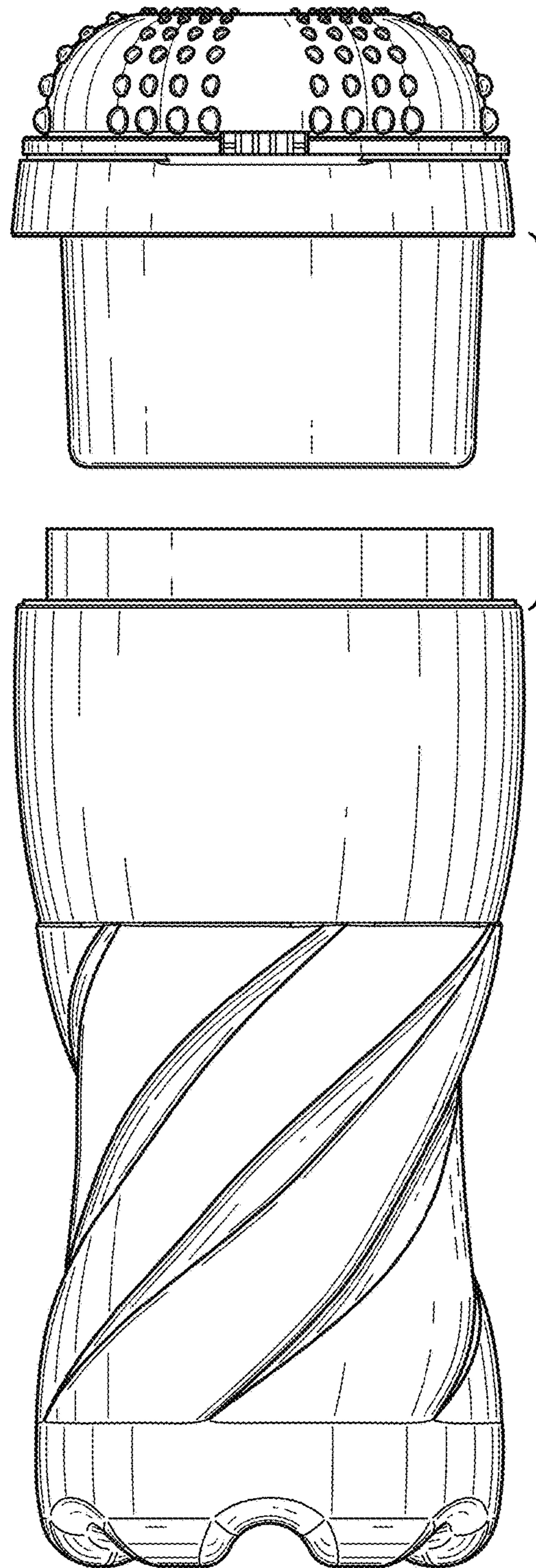


FIG. 12

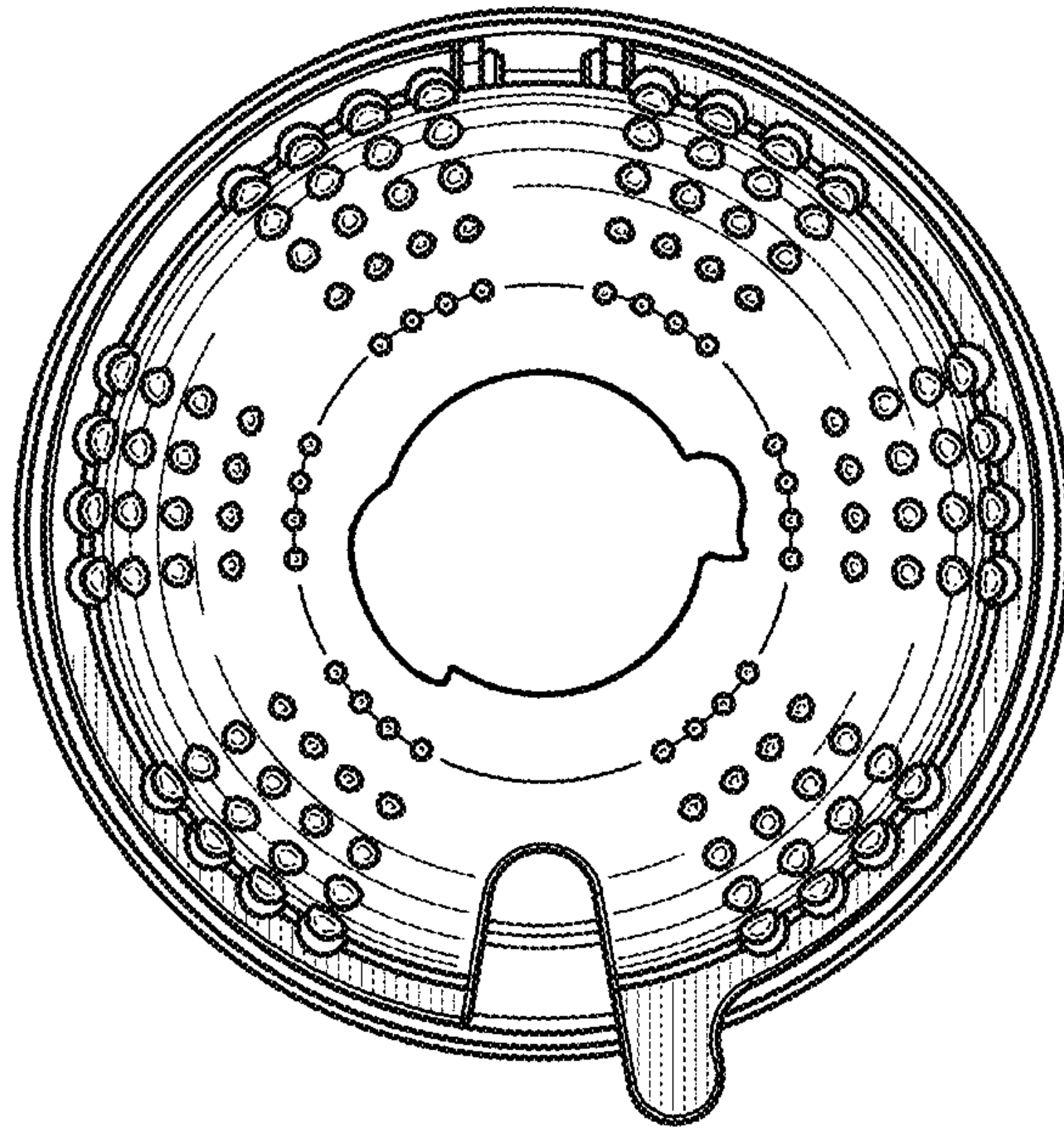


FIG. 13

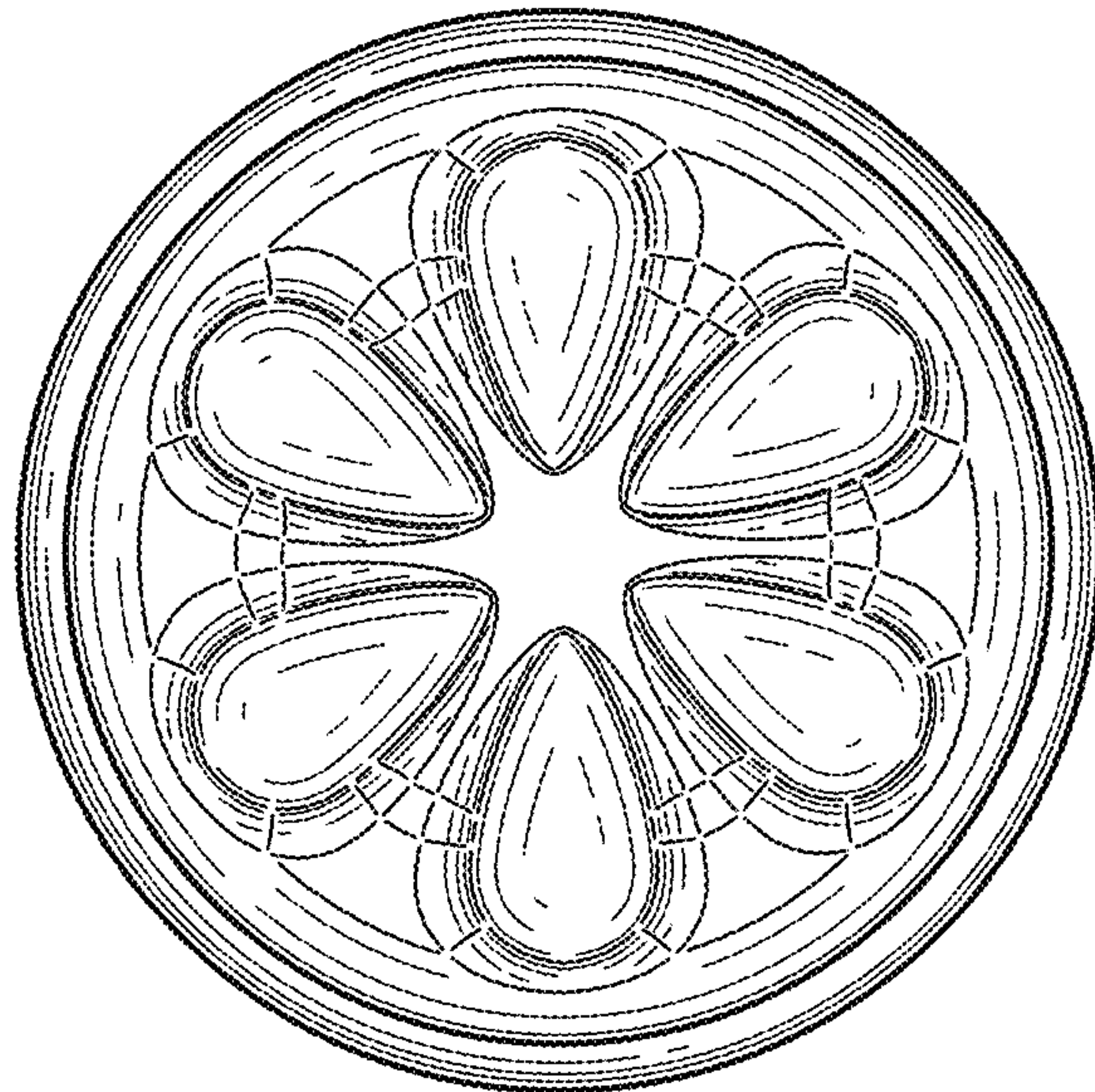


FIG. 14

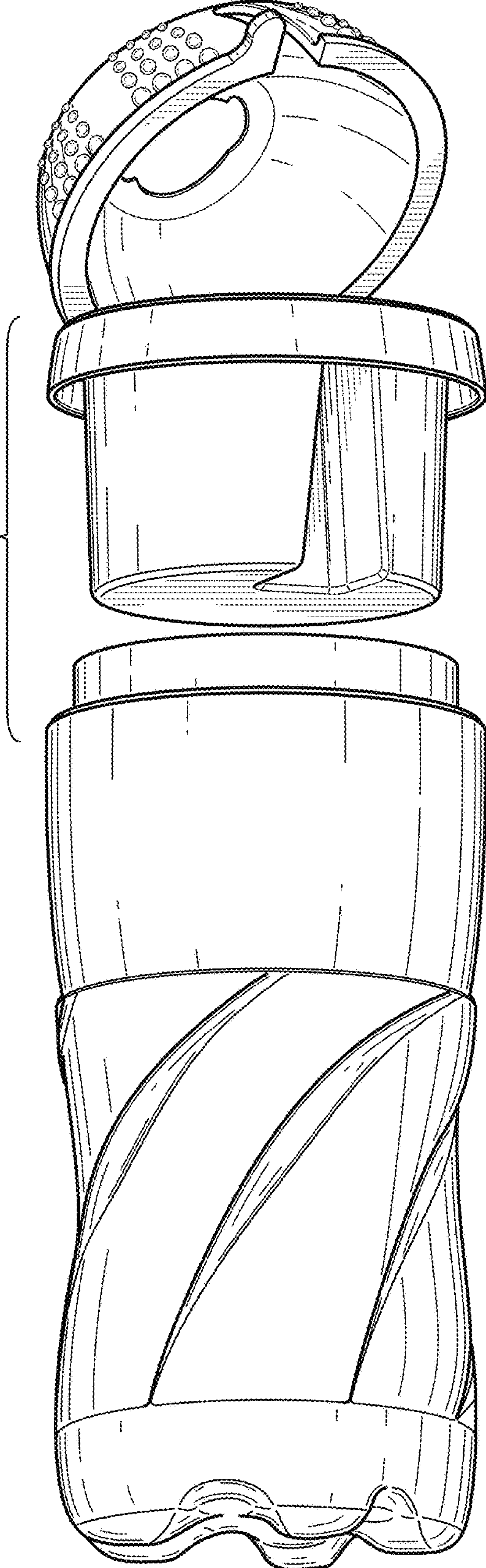


FIG. 15