



US00D798106S

(12) **United States Design Patent**
Sowieja et al.

(10) **Patent No.:** **US D798,106 S**

(45) **Date of Patent:** **** Sep. 26, 2017**

(54) **VALVE**

(71) Applicant: **Gehl Foods, LLC**, Germantown, WI (US)

(72) Inventors: **Michael Sowieja**, Richfield, WI (US);
Thomas Mitchell, Chicago, IL (US);
Anders Olof Rostlund, Chicago, IL (US)

(73) Assignee: **Gehl Foods, LLC**, Germantown, WI (US)

(**) Term: **15 Years**

(21) Appl. No.: **29/537,871**

(22) Filed: **Aug. 28, 2015**

(51) **LOC (10) Cl.** **07-99**

(52) **U.S. Cl.**
USPC **D7/398**; D9/449

(58) **Field of Classification Search**
USPC D7/398; D9/433-436, 439, 440, 443,
D9/444, 445, 447, 455-457, 499
CPC B65D 77/065
See application file for complete search history.

(56) **References Cited**

U.S. PATENT DOCUMENTS

D50,625 S *	4/1917	Lund	D7/398
D83,729 S *	3/1931	Hills	D23/213
2,442,126 A	5/1948	Halstead		
2,775,368 A	12/1956	De Vries		
3,089,619 A	5/1963	Kass et al.		
D199,046 S *	9/1964	Felske	D12/194
D204,822 S	5/1966	Barker		
3,369,720 A	2/1968	Libit et al.		
3,881,641 A	5/1975	Pliml et al.		
3,924,777 A	12/1975	Peyser		
4,018,357 A	4/1977	Ostrem		
4,049,157 A	9/1977	Carson		

4,214,675 A	7/1980	Schmit
4,322,019 A	3/1982	Smith
4,417,672 A	11/1983	Eppenbach
4,440,316 A	4/1984	Christine
4,497,351 A	2/1985	Garcia
		(Continued)

FOREIGN PATENT DOCUMENTS

EM	000574843-0003	3/2006
EP	0 150 144	7/1985
		(Continued)

OTHER PUBLICATIONS

Round Eye Supply. Gehls Dispenser Value Chili Sauce Bag in Box. 2016 [earliest online date], [site visited Oct. 12, 2016]. Available from Internet, <URL:http://www.roundeyesupply.com/Gehls-Dispenser-Value-With-Chili-Sauce-Bag-In-Box-p/de439156.htm>.*
(Continued)

Primary Examiner — Robert M Spear
Assistant Examiner — Darcey E Heflin
(74) *Attorney, Agent, or Firm* — Foley & Lardner LLP

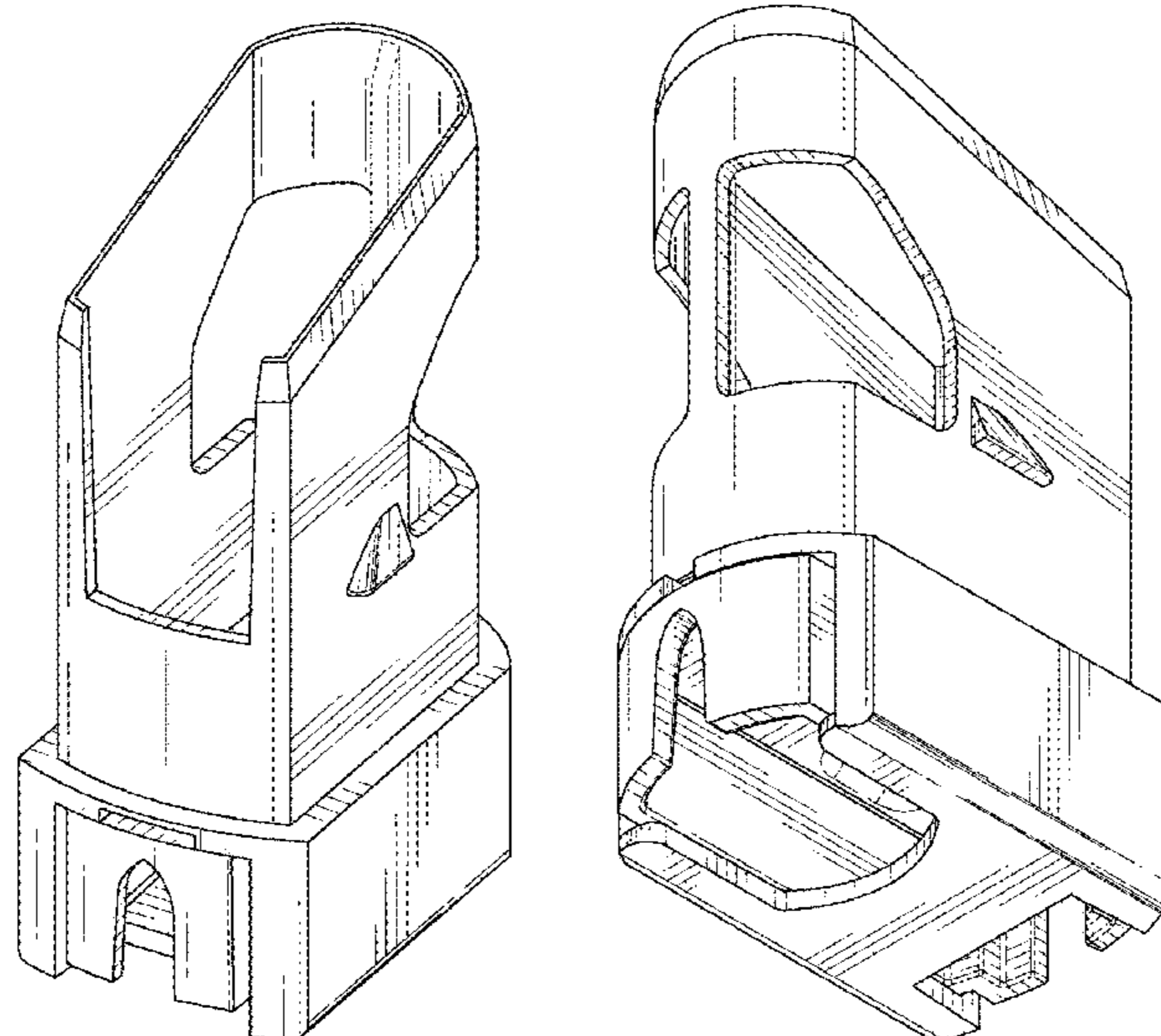
(57) **CLAIM**

We claim the ornamental design for a valve, as shown and described.

DESCRIPTION

FIG. 1 is a top, rear, left perspective view of the claimed design;
FIG. 2 is a bottom, front, right perspective view thereof;
FIG. 3 is a front elevation view thereof;
FIG. 4 is a rear elevation view thereof;
FIG. 5 is a left elevation view thereof;
FIG. 6 is a right elevation view thereof;
FIG. 7 is a top plan view thereof; and,
FIG. 8 is a bottom plan view thereof.
In the drawings, the broken line showing portions of the valve depicts environment and forms no part of the claim.

1 Claim, 8 Drawing Sheets



(56)

References Cited

U.S. PATENT DOCUMENTS

4,621,750 A 11/1986 Roethel
 4,690,307 A 9/1987 Hogan
 4,776,488 A 10/1988 Gurzan
 4,795,062 A 1/1989 Bedwell et al.
 4,846,236 A 7/1989 Deruntz
 4,925,034 A 5/1990 Robichaud et al.
 4,946,040 A 8/1990 Ipenburg
 4,961,508 A 10/1990 Weimer et al.
 4,997,108 A 3/1991 Hata
 D327,432 S * 6/1992 Farricielli D9/444
 5,150,802 A 9/1992 Jeffers
 5,158,210 A 10/1992 Du
 5,230,443 A 7/1993 Du
 5,325,995 A 7/1994 Harrison et al.
 5,337,775 A 8/1994 Lane et al.
 5,350,083 A 9/1994 Du
 5,361,943 A 11/1994 Du
 5,428,066 A 6/1995 Larner et al.
 5,429,681 A 7/1995 Mesenbring
 5,435,463 A 7/1995 Hodgson
 5,435,466 A 7/1995 Du
 5,490,613 A 2/1996 Taylor et al.
 5,573,047 A 11/1996 Akin
 5,579,945 A 12/1996 Ichikawa et al.
 5,579,959 A 12/1996 Bennett et al.
 5,622,484 A 4/1997 Taylor-McCune et al.
 5,624,056 A 4/1997 Martindale
 5,752,319 A 5/1998 Su et al.
 5,803,317 A 9/1998 Wheeler
 5,833,120 A 11/1998 Evans et al.
 5,836,482 A 11/1998 Ophardt et al.
 5,845,812 A 12/1998 Morrison
 6,003,733 A 12/1999 Wheeler
 6,016,935 A 1/2000 Huegerich et al.
 6,036,166 A 3/2000 Olson
 6,082,587 A 7/2000 Martindale et al.
 6,089,406 A 7/2000 Feldner
 6,138,878 A 10/2000 Savage et al.
 6,158,623 A 12/2000 Benavides et al.
 6,189,736 B1 2/2001 Phallen et al.
 6,193,111 B1 2/2001 Adams
 6,196,420 B1 3/2001 Gutierrez et al.
 6,227,420 B1 5/2001 Jepson
 6,273,297 B1 8/2001 Schalow et al.
 6,345,734 B2 2/2002 Schalow et al.
 6,378,730 B1 4/2002 Reddy et al.
 6,405,897 B1 6/2002 Jepson et al.
 6,488,179 B1 12/2002 Vujicic et al.
 6,691,894 B2 2/2004 Chrisman et al.
 6,722,530 B1 4/2004 King et al.
 6,814,262 B1 11/2004 Adams et al.
 6,860,407 B2 3/2005 Gosselin
 6,871,015 B2 3/2005 Gutierrez et al.
 D509,137 S 9/2005 Hierzer et al.
 6,938,801 B1 9/2005 Reddy et al.
 D515,919 S 2/2006 Hierzer et al.
 7,025,230 B1 4/2006 Salmela
 7,278,553 B2 10/2007 Py et al.
 7,322,491 B2 1/2008 Py et al.
 7,357,277 B2 4/2008 Verespej et al.
 7,651,015 B2 1/2010 Girard et al.
 D613,558 S 4/2010 Gold et al.
 7,731,060 B2 6/2010 Jones
 7,789,269 B2 9/2010 Pritchard
 D627,223 S 11/2010 Storti et al.
 7,828,020 B2 11/2010 Girard et al.
 7,850,051 B2 12/2010 Py et al.
 7,980,424 B2 7/2011 Johnson

8,091,735 B2 1/2012 Girard et al.
 8,146,780 B2 4/2012 Compton et al.
 8,205,771 B2 6/2012 Compton
 8,206,034 B2 6/2012 Keen et al.
 8,353,428 B2 1/2013 Pritchard
 8,474,495 B2 7/2013 Singleton et al.
 8,528,807 B2 9/2013 Kaneko
 D718,621 S * 12/2014 Mitchell D9/435
 D719,403 S * 12/2014 Halioua D7/397
 D731,310 S * 6/2015 Demey D9/434
 D754,536 S * 4/2016 Arriaga D9/436
 D755,045 S * 5/2016 Kuo D9/445
 D763,077 S * 8/2016 Mitchell D9/447
 D764,912 S * 8/2016 Houyoux D28/73
 2002/0092879 A1 7/2002 Chrisman et al.
 2002/0179605 A1 12/2002 Miani et al.
 2003/0116584 A1 6/2003 Gutierrez et al.
 2004/0222233 A1 11/2004 Gosselin
 2004/0238563 A1 12/2004 Lin
 2005/0167443 A1 8/2005 Sanfilippo et al.
 2005/0167444 A1 8/2005 Sanfilippo et al.
 2005/0252937 A1 11/2005 Gehl et al.
 2006/0071020 A1 4/2006 Wiesner et al.
 2006/0138167 A1 6/2006 McMahan et al.
 2007/0029343 A1 2/2007 Sanfilippo et al.
 2008/0078781 A1 4/2008 Py et al.
 2008/0083788 A1 4/2008 Py et al.
 2008/0105701 A1 5/2008 Niss et al.
 2008/0116225 A1 5/2008 Py et al.
 2008/0116226 A1 5/2008 Py et al.
 2008/0169309 A1 7/2008 Kroeger
 2008/0314923 A1 12/2008 Faller et al.
 2009/0020559 A1 1/2009 Sanfilippo et al.
 2009/0283541 A1 11/2009 Compton et al.
 2010/0038380 A1 2/2010 Compton
 2010/0147884 A1 6/2010 Compton et al.
 2010/0176155 A1 7/2010 Baron et al.
 2010/0264146 A1 10/2010 Casale et al.
 2010/0288767 A1 11/2010 Seelhofer
 2011/0024463 A1 2/2011 Py et al.
 2011/0042410 A1 2/2011 Paulen
 2012/0046785 A1 2/2012 Deo et al.
 2012/0152976 A1 6/2012 Yoshida et al.
 2012/0211519 A1 8/2012 Hauner et al.

FOREIGN PATENT DOCUMENTS

EP 0 538 91 2/1986
 EP 0 962 421 12/1999
 GB 2 154 991 9/1985
 JP 52-001760 2/2003
 TW D122024 3/2008
 TW D122218 4/2008
 TW D165705 2/2015

OTHER PUBLICATIONS

Balaji Tube Corporation. Valves. 2016 [earliest online date], [site visited Oct. 12, 2016]. Available from Internet, <URL:http://www.balajitube.com/?page_id=55>.*
 Alibaba. 3-way Ball Valve. 2016 [earliest online date], [site visited Oct. 12, 2016]. Available from Internet, <URL:https://www.alibaba.com/product-detail/10000psi-cng-dispenser-3-way-ball_1797882372.html>.*
 International Search Report and Written Opinion for International Application No. PCT/US2015/047491, dated Oct. 29, 2015, 14 pages.

* cited by examiner

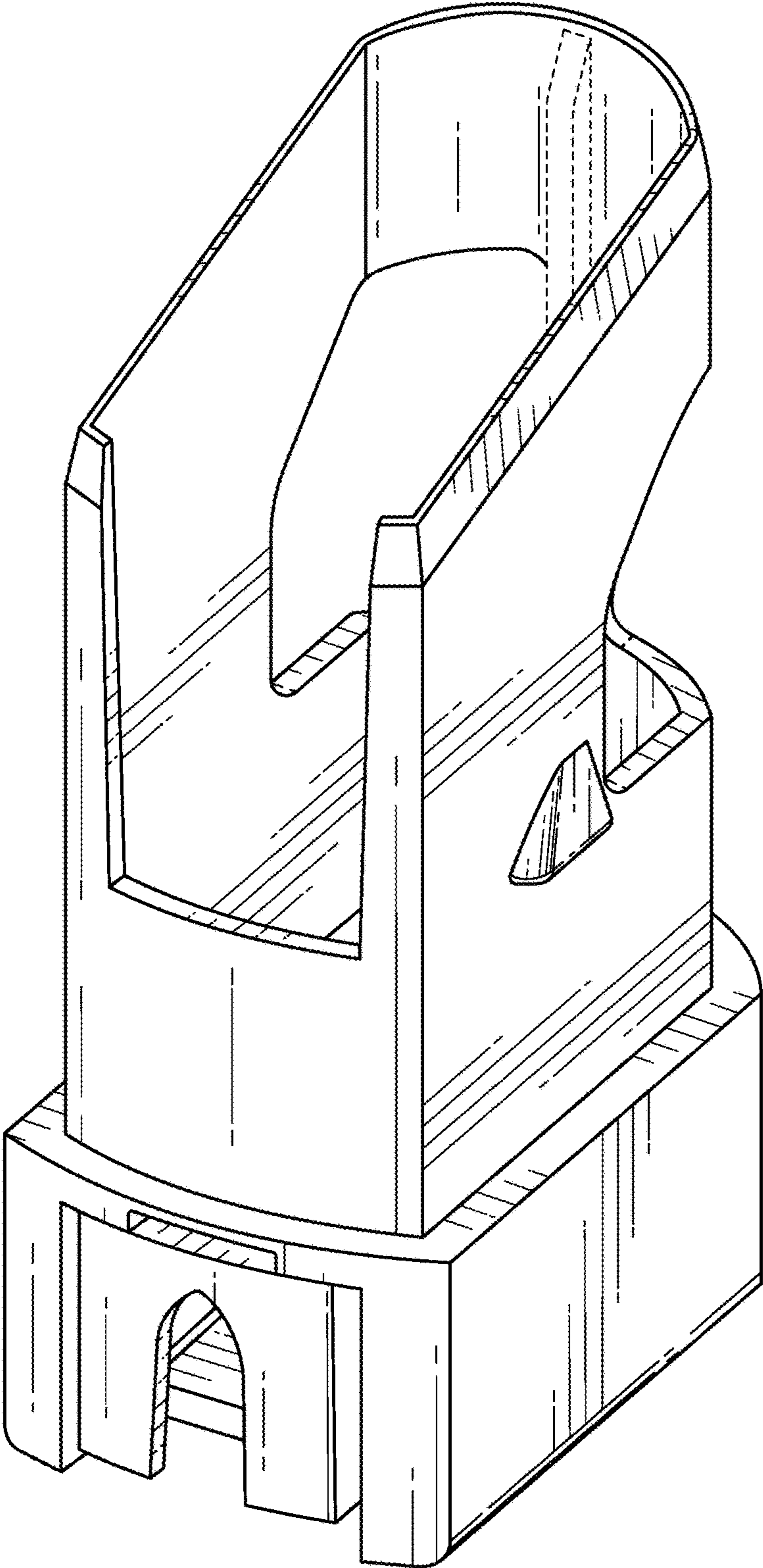


FIG. 1

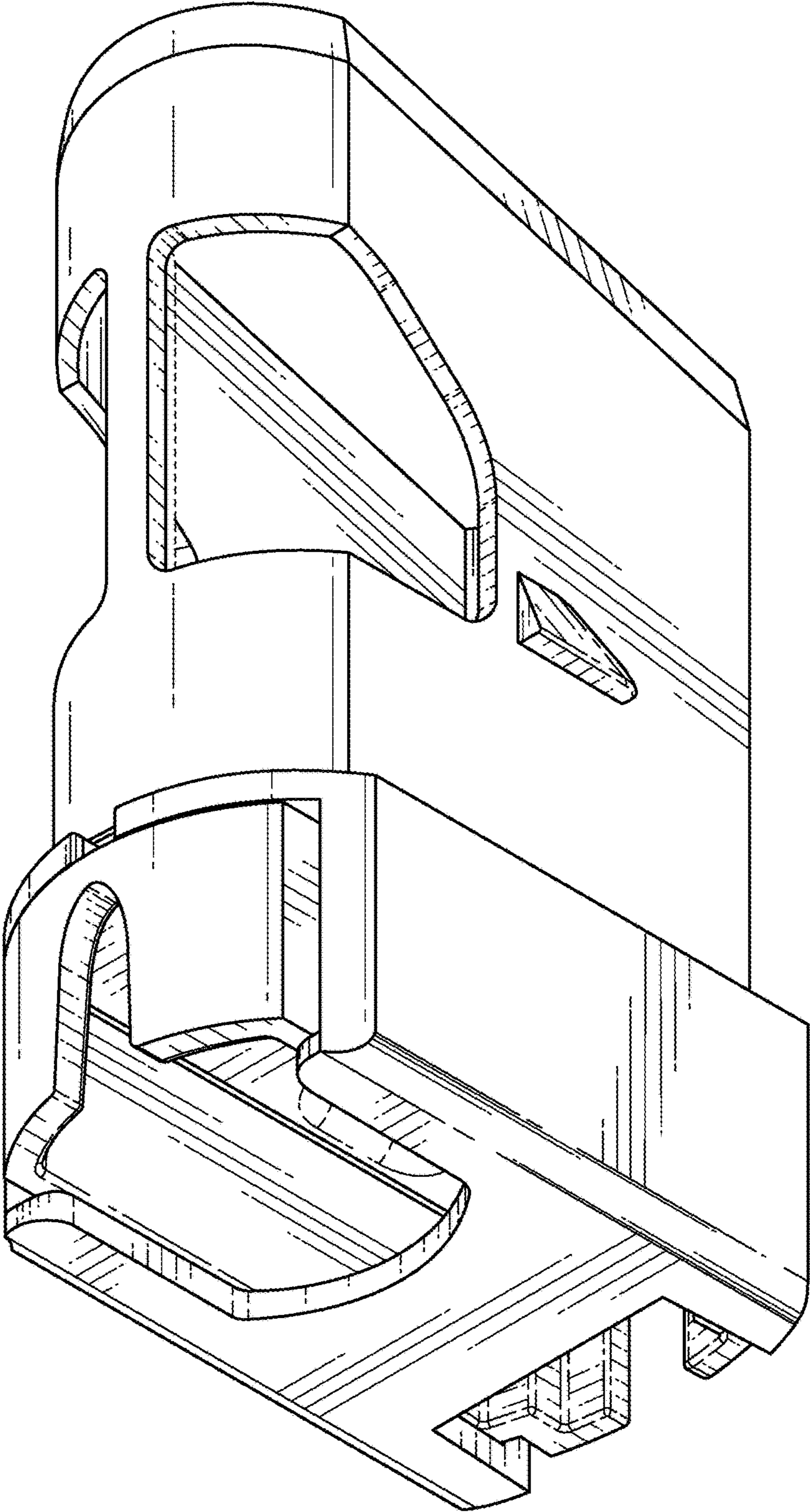


FIG. 2

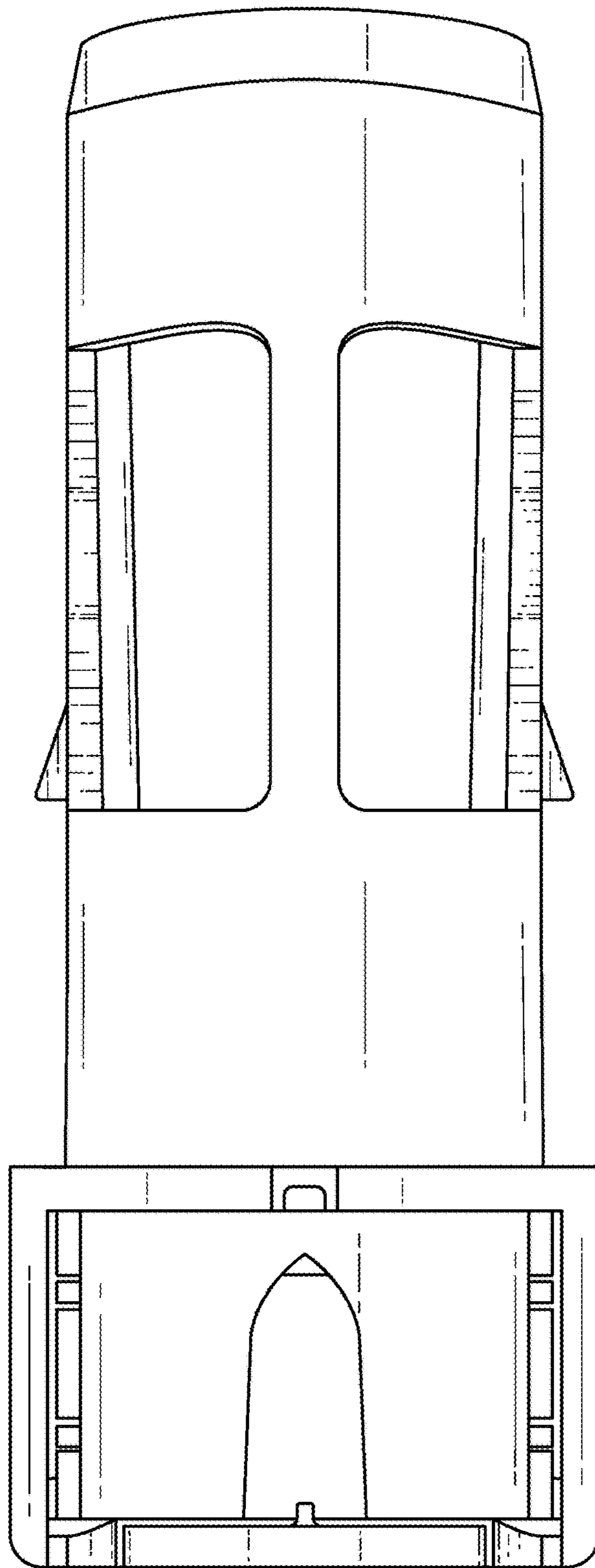


FIG. 3

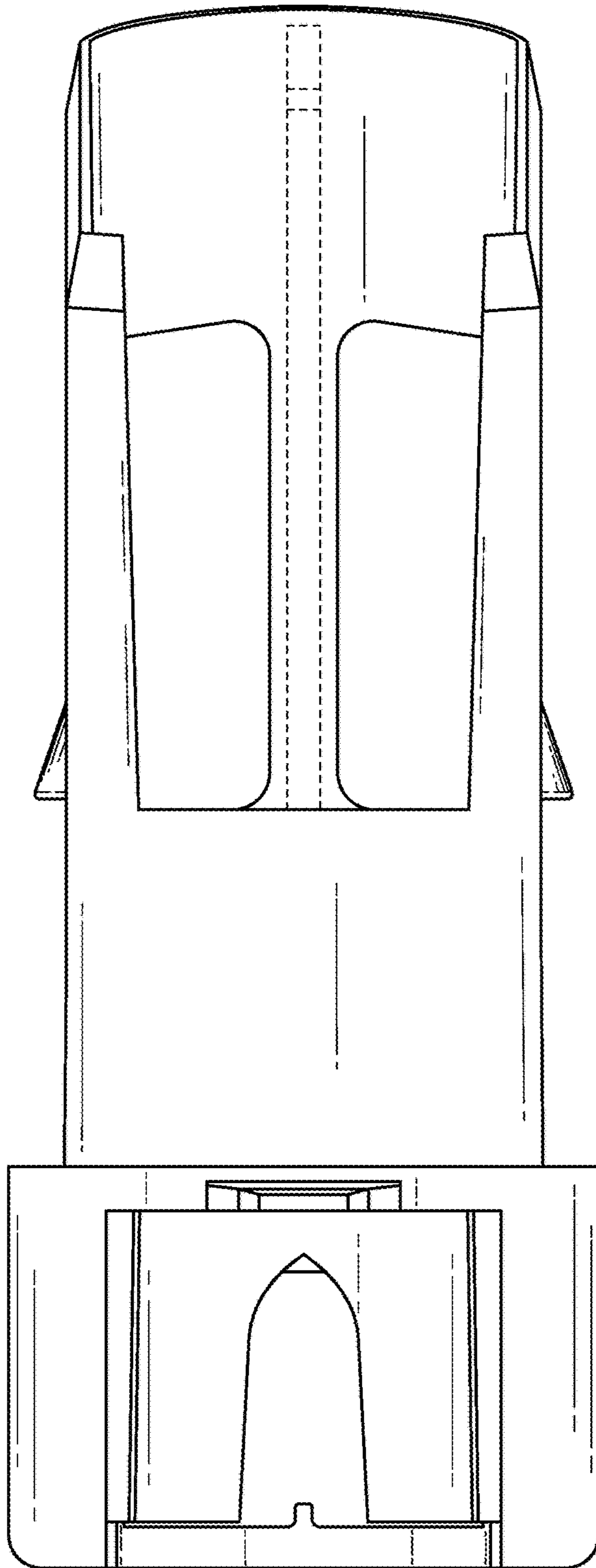


FIG. 4

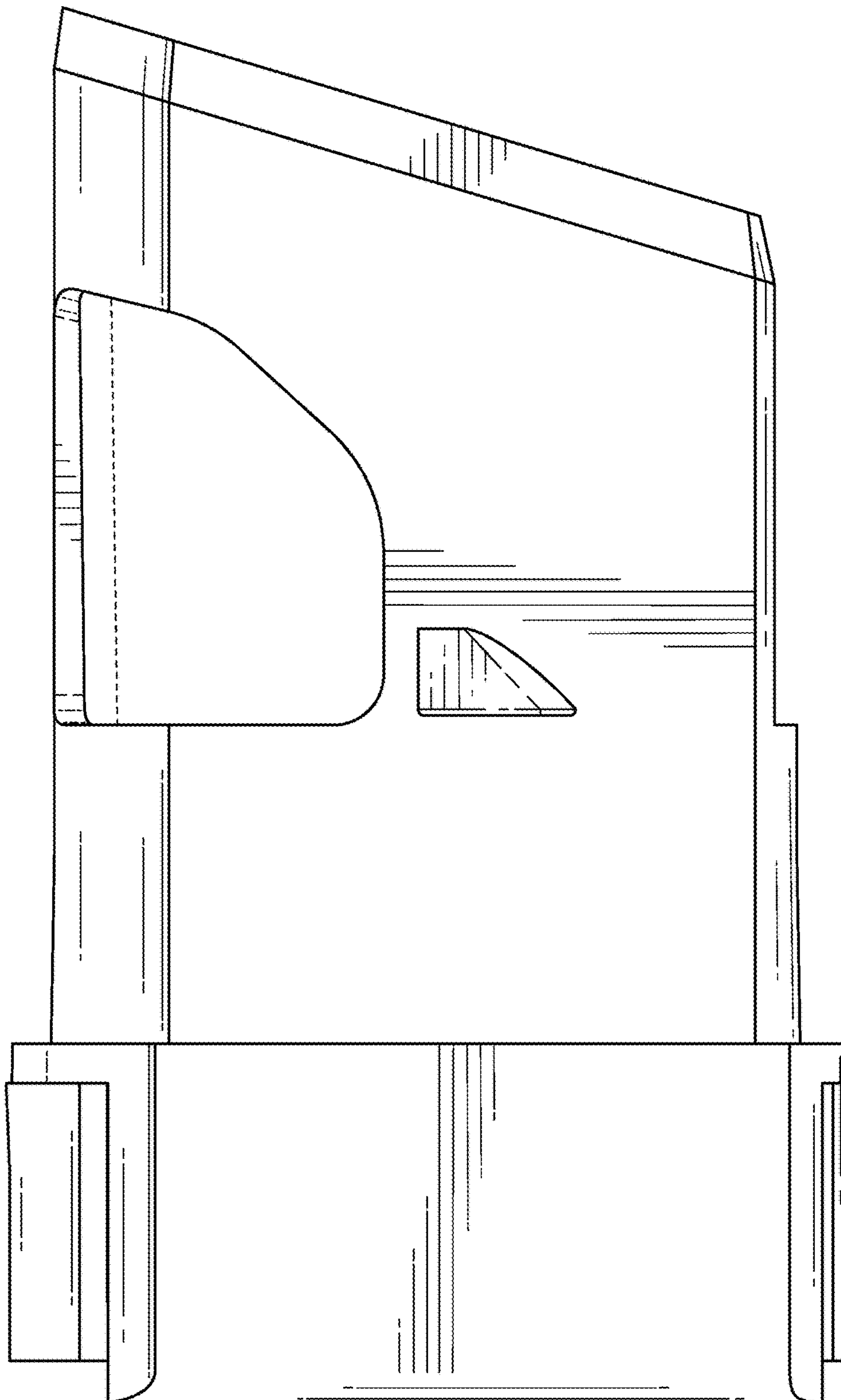


FIG. 5

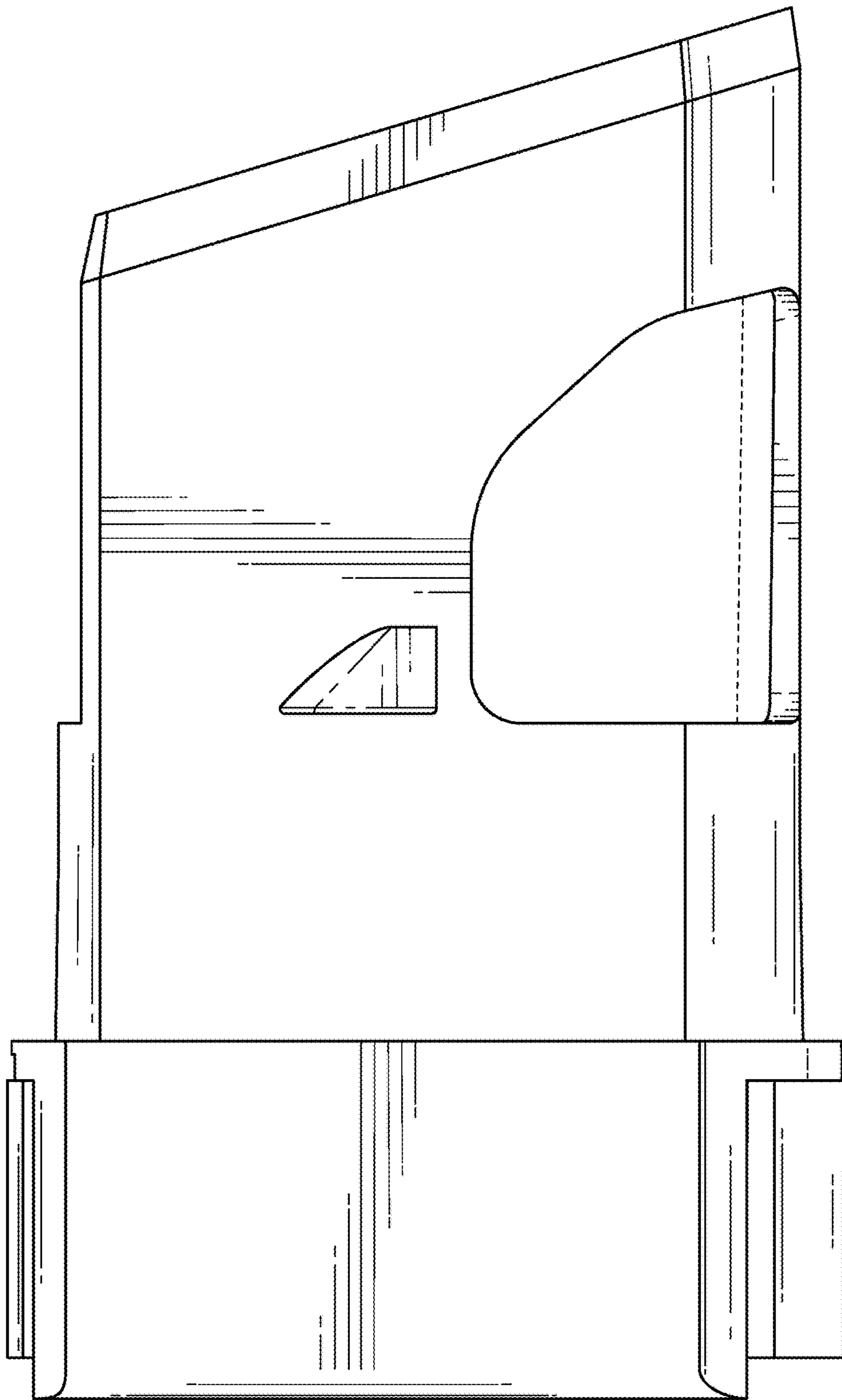


FIG. 6

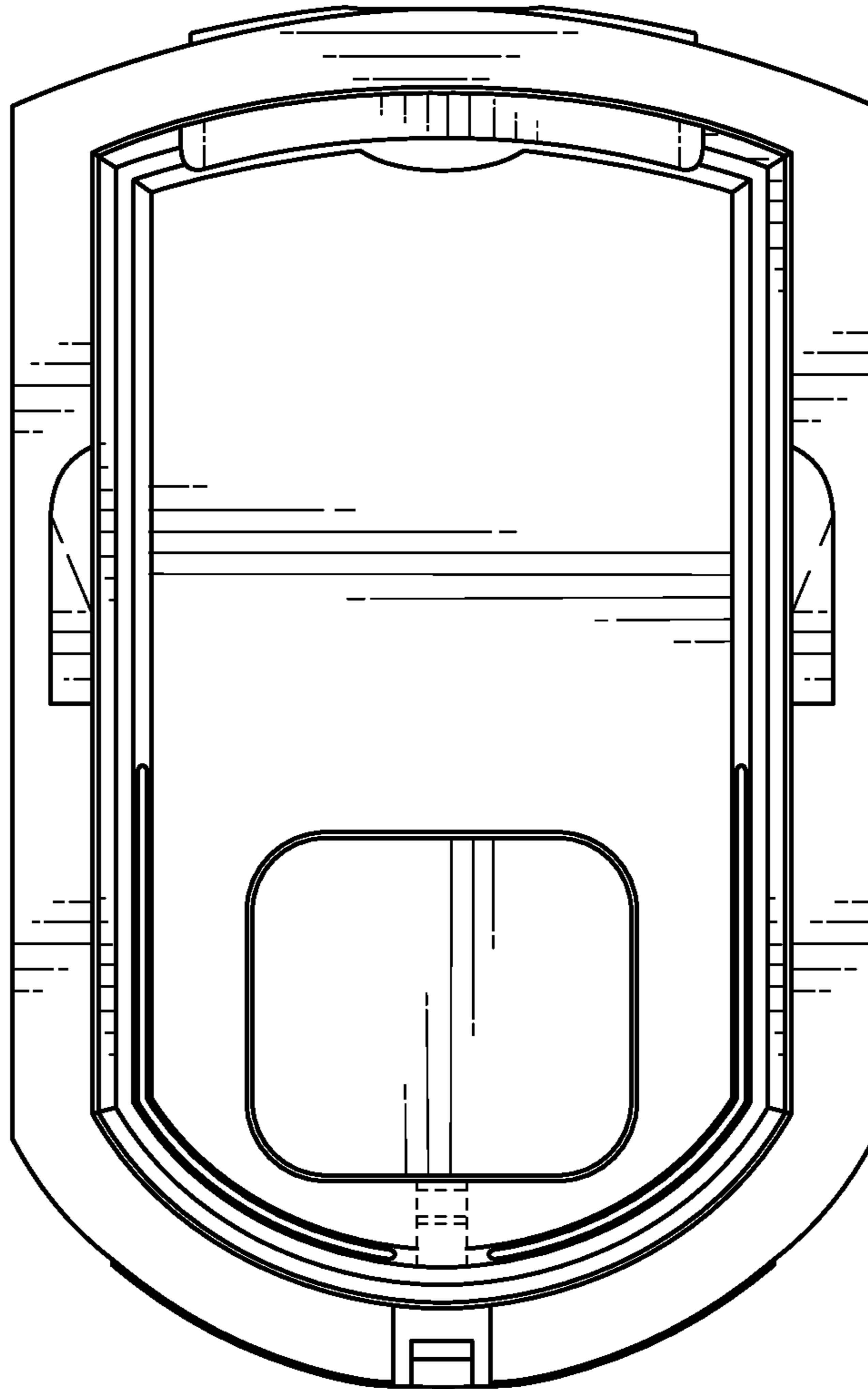


FIG. 7

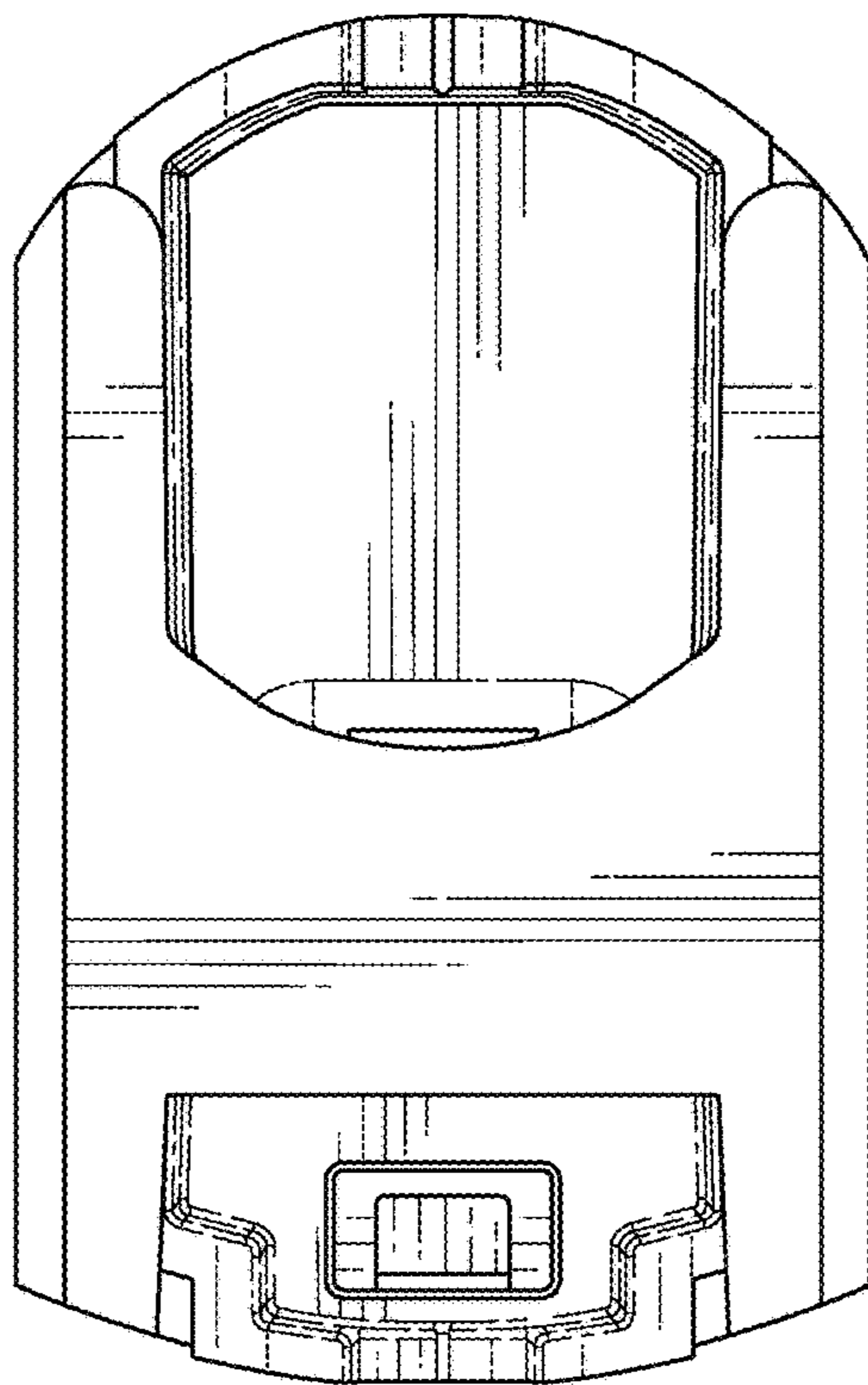


FIG. 8