



US00D798105S

(12) **United States Design Patent** (10) **Patent No.:** **US D798,105 S**
Stover et al. (45) **Date of Patent:** **** Sep. 26, 2017**

(54) **LID FOR BEVERAGE CONTAINER WITH STRAW HOLDER**

(71) Applicant: **IGNITE USA, LLC**, Chicago, IL (US)

(72) Inventors: **Craig Stover**, Chicago, IL (US);
Robert C. Coon, Chicago, IL (US);
Paul D. Hurley, Libertyville, IL (US)

(73) Assignee: **IGNITE USA, LLC**, Chicago, IL (US)

(**) Term: **15 Years**

(21) Appl. No.: **29/557,014**

(22) Filed: **Mar. 4, 2016**

(51) **LOC (10) Cl.** **07-99**

(52) **U.S. Cl.**
USPC **D7/396.2**

(58) **Field of Classification Search**
USPC D7/509–511, 543, 396.2, 300.2, 60, 605,
D7/523; D9/525, 523, 530, 551, 435,
D9/528
CPC A45F 3/16; A45F 3/18; A45F 22/00; A45F
22/0583; A47G 19/22; A47G 19/2205;
A47G 19/2288; A47G 19/2272; A47G
19/2222; B65D 43/00; B65D 23/102;
B65D 41/26; B65D 41/04; B65D 1/02;
B65D 1/06

See application file for complete search history.

(56) **References Cited**

U.S. PATENT DOCUMENTS

- 2,844,267 A * 7/1958 Petriccione B65D 77/283
215/229
- 5,325,982 A * 7/1994 Cobb, Jr. A47G 19/2266
215/228
- 6,010,034 A * 1/2000 Walthers A47G 19/2266
222/129
- 6,179,146 B1 * 1/2001 Betras B65D 21/0204
215/229
- 6,763,964 B1 * 7/2004 Hurlbut A47G 19/2272
220/254.2

(Continued)

OTHER PUBLICATIONS

SeeNature Stainless Steel Tumbler—30oz, Double Wall, Vacuum Insulated Keeps Your Drink Hot Longer—Cup, Lid & Straw, Coffee Travel Mug Set, posted at Amazon.com, posted on May 5, 2016, site visited Dec. 1, 2016, <<https://www.amazon.com/SeeNature-Stainless-Tumbler-Double-Insulated/dp/B01F6YOXI4>>.*

(Continued)

Primary Examiner — Barbara Fox

Assistant Examiner — Messina L Smith

(74) *Attorney, Agent, or Firm* — Marshall, Gerstein & Borun LLP

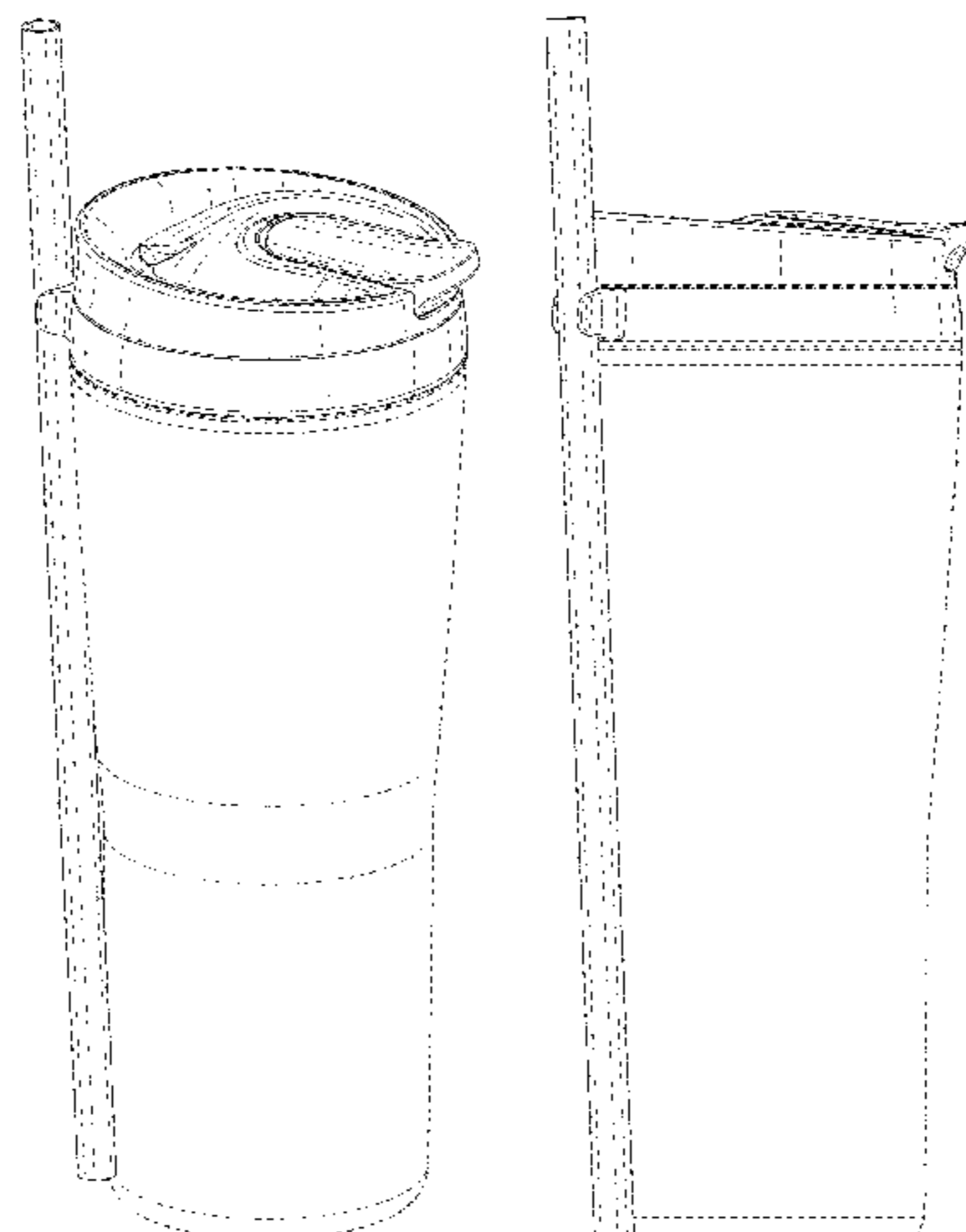
(57) **CLAIM**

The ornamental design for a lid for beverage container with straw holder, as shown and described.

DESCRIPTION

FIG. 1 is a top perspective view of a lid for beverage container with straw holder, showing our new design; FIG. 2 is a right side view of the lid for beverage container with straw holder illustrated in FIG. 1; FIG. 3 is a left side view of the lid for beverage container with straw holder illustrated in FIG. 1; FIG. 4 is a rear view of the lid for beverage container with straw holder illustrated in FIG. 1; FIG. 5 is front view of the lid for beverage container with straw holder illustrated in FIG. 1; FIG. 6 is a top view of the lid for beverage container with straw holder illustrated in FIG. 1; and, FIG. 7 is a bottom view of the lid for beverage container with straw holder illustrated in FIG. 1. The broken lines shown in the drawings are included for the purpose of illustrating environmental structure and form no part of the claimed design.

1 Claim, 6 Drawing Sheets



(56)

References Cited

U.S. PATENT DOCUMENTS

D643,245	S *	8/2011	Minarsch	D7/392.1
D666,052	S *	8/2012	Trombly	D7/392.1
D744,277	S *	12/2015	Kostler	D7/396.2
D752,381	S *	3/2016	Wahl	D7/392.1
D757,476	S *	5/2016	O'Neill	D7/300.2
D758,792	S *	6/2016	Karussi	D7/392.1
2002/0088870	A1 *	7/2002	Banach	A47G 21/18 239/33
2012/0205389	A1 *	8/2012	Beary	A47G 19/2222 220/708
2015/0344199	A1 *	12/2015	Chiou	A47G 19/2272 220/254.7

OTHER PUBLICATIONS

Boroux Climate Series 20oz Insulated Stainless Steel Tumbler Cups with Extra Wide Stainless steel Straw—Petal Pink, posted at Amazon.com, posted on Nov. 1, 2016, site visited Dec. 1, 2016, <<https://www.amazon.com/dp/B01MQCBWFD?psc=1>>.*

How to clean crevices of electronics without compressed air?, posted at Lifehacks.stackexchange.com, posted on Dec. 31, 2014, site visited Dec. 1, 2016, <<http://lifehacks.stackexchange.com/questions/2409/how-to-clean-crevices-of-electronics-without-compressed-air>>.*

* cited by examiner

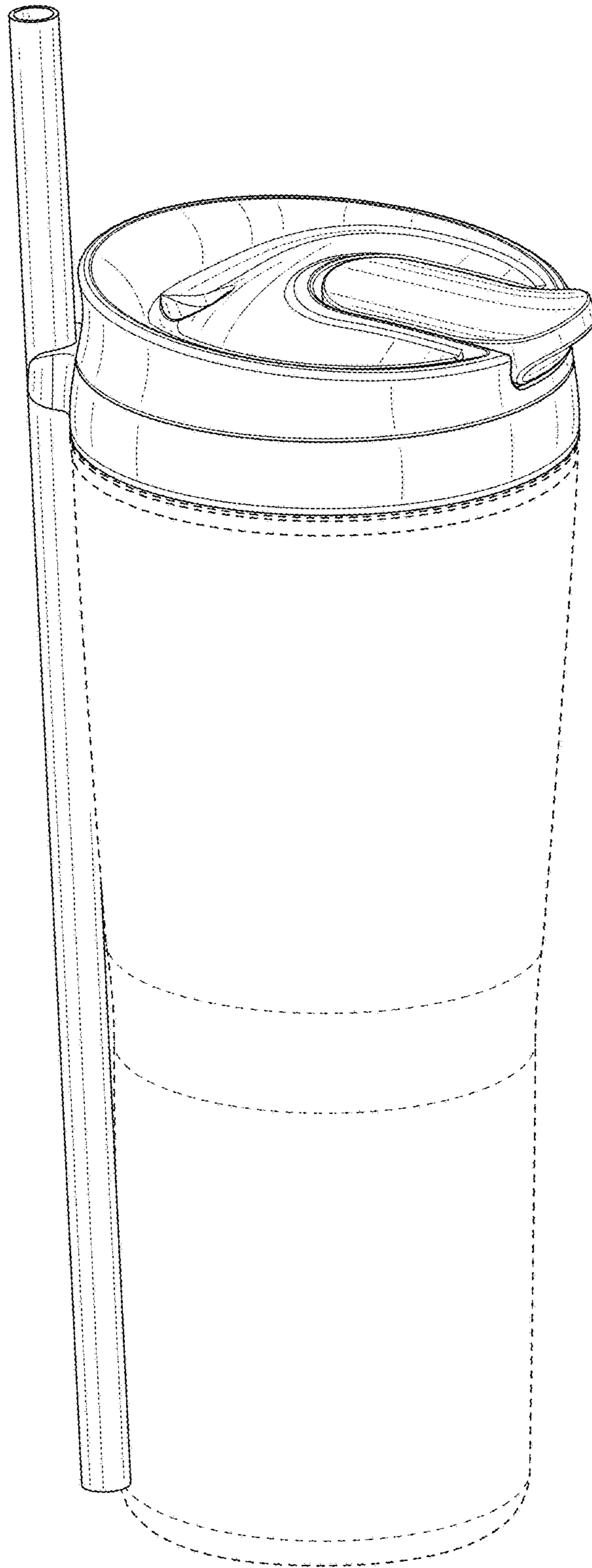


FIG. 1

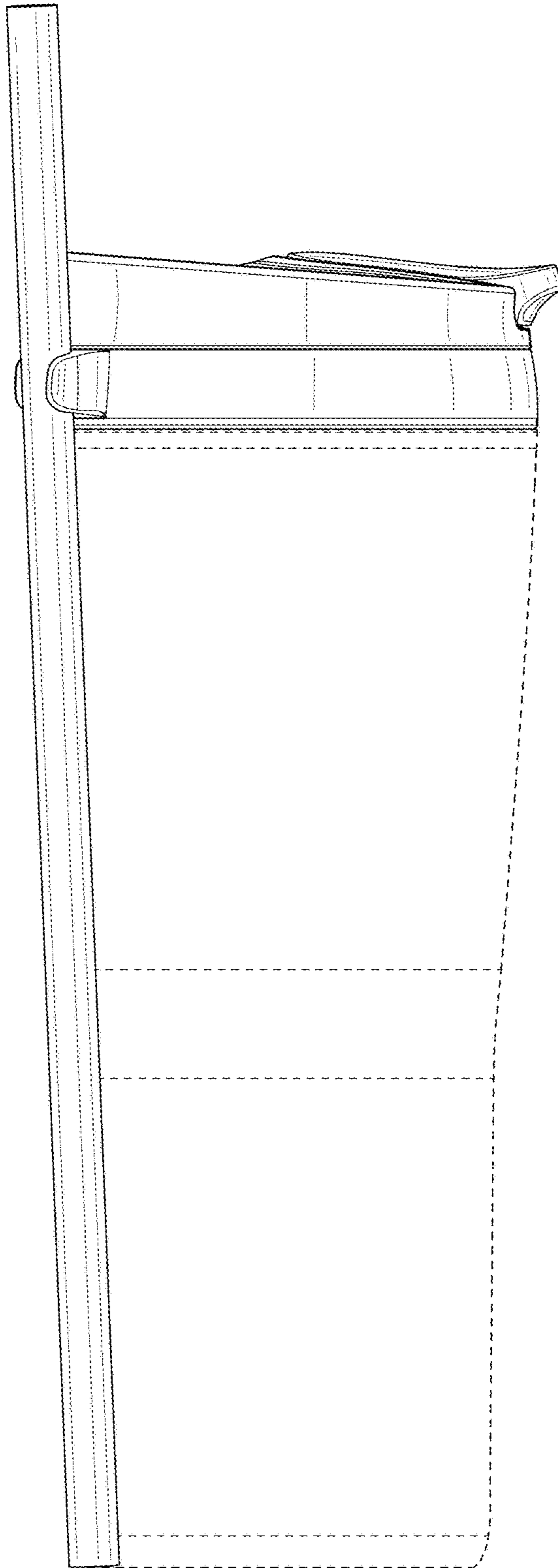


FIG. 2

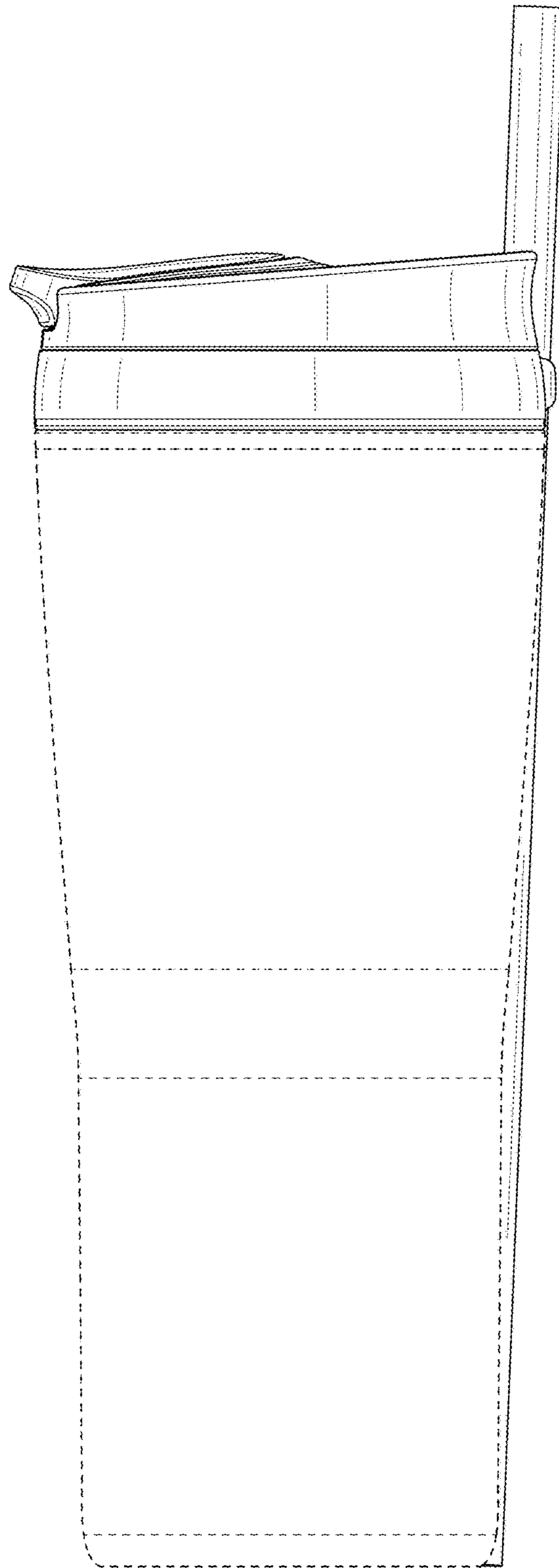


FIG. 3

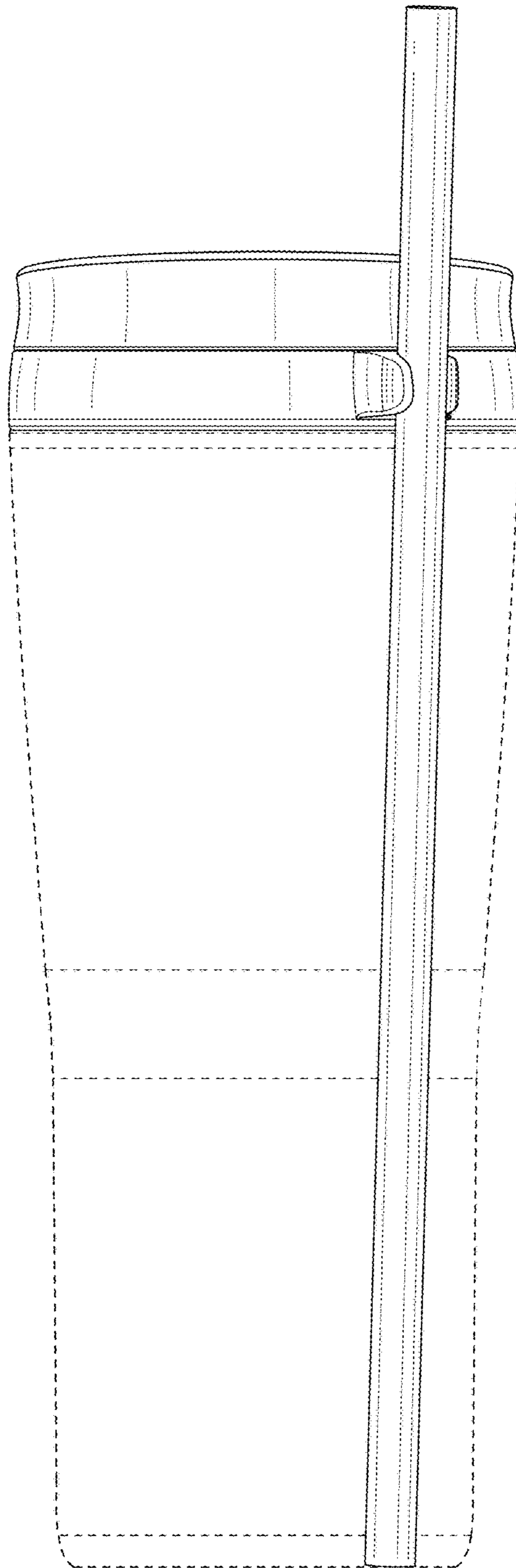


FIG. 4

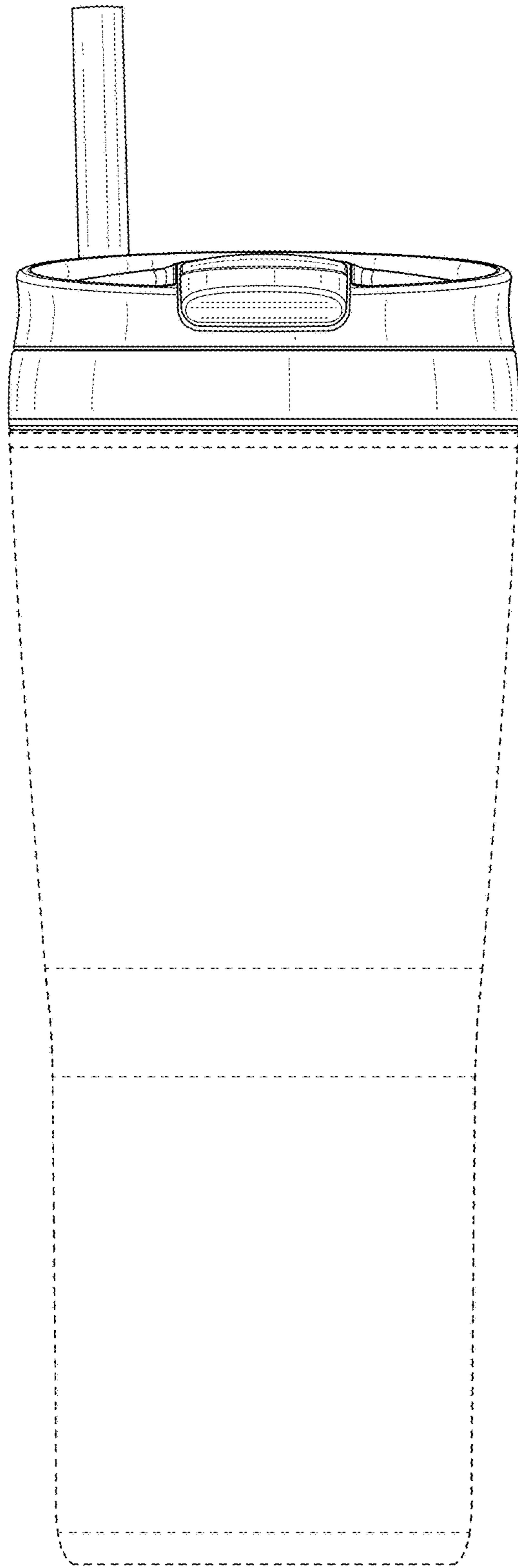


FIG. 5

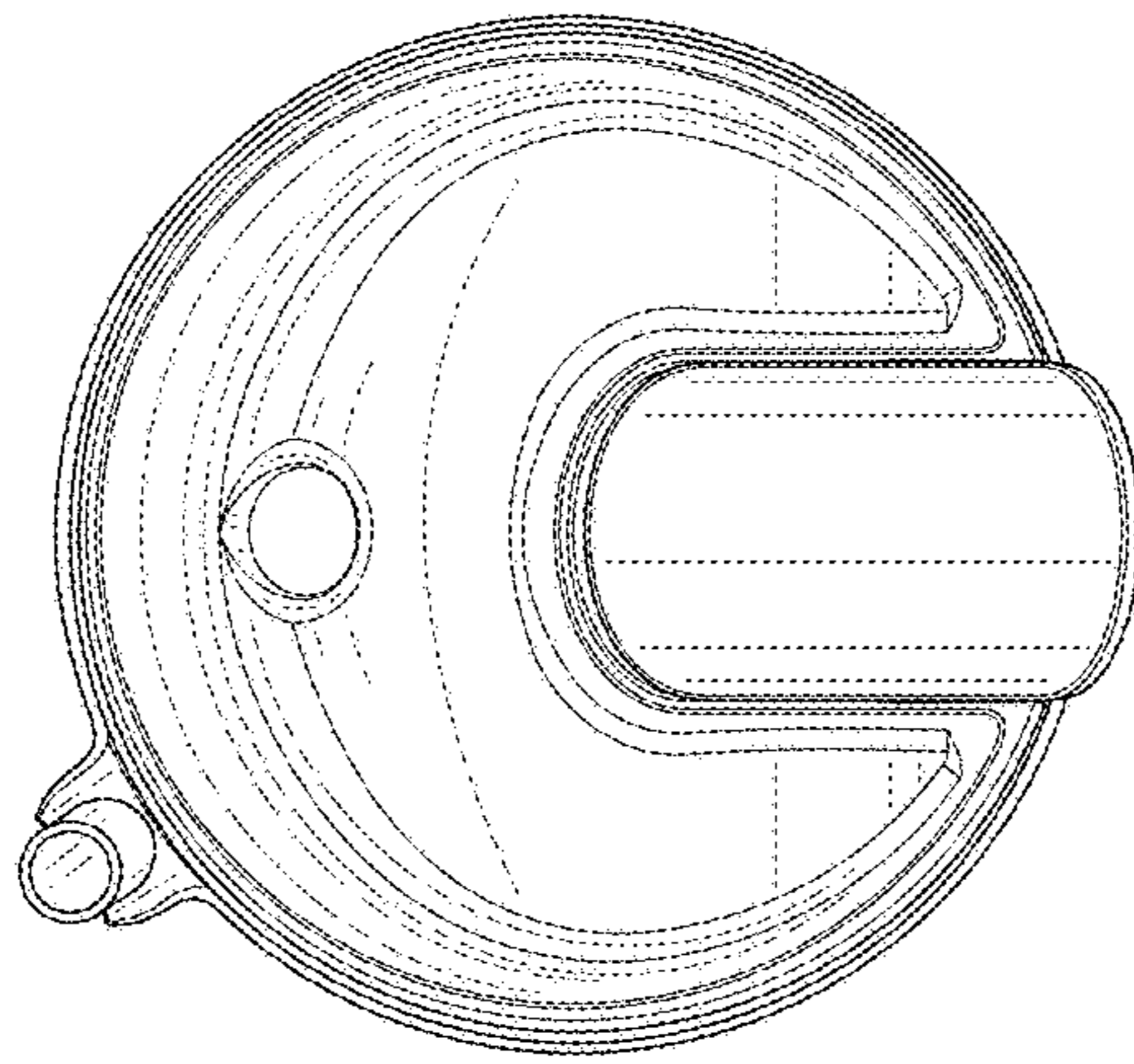


FIG. 6

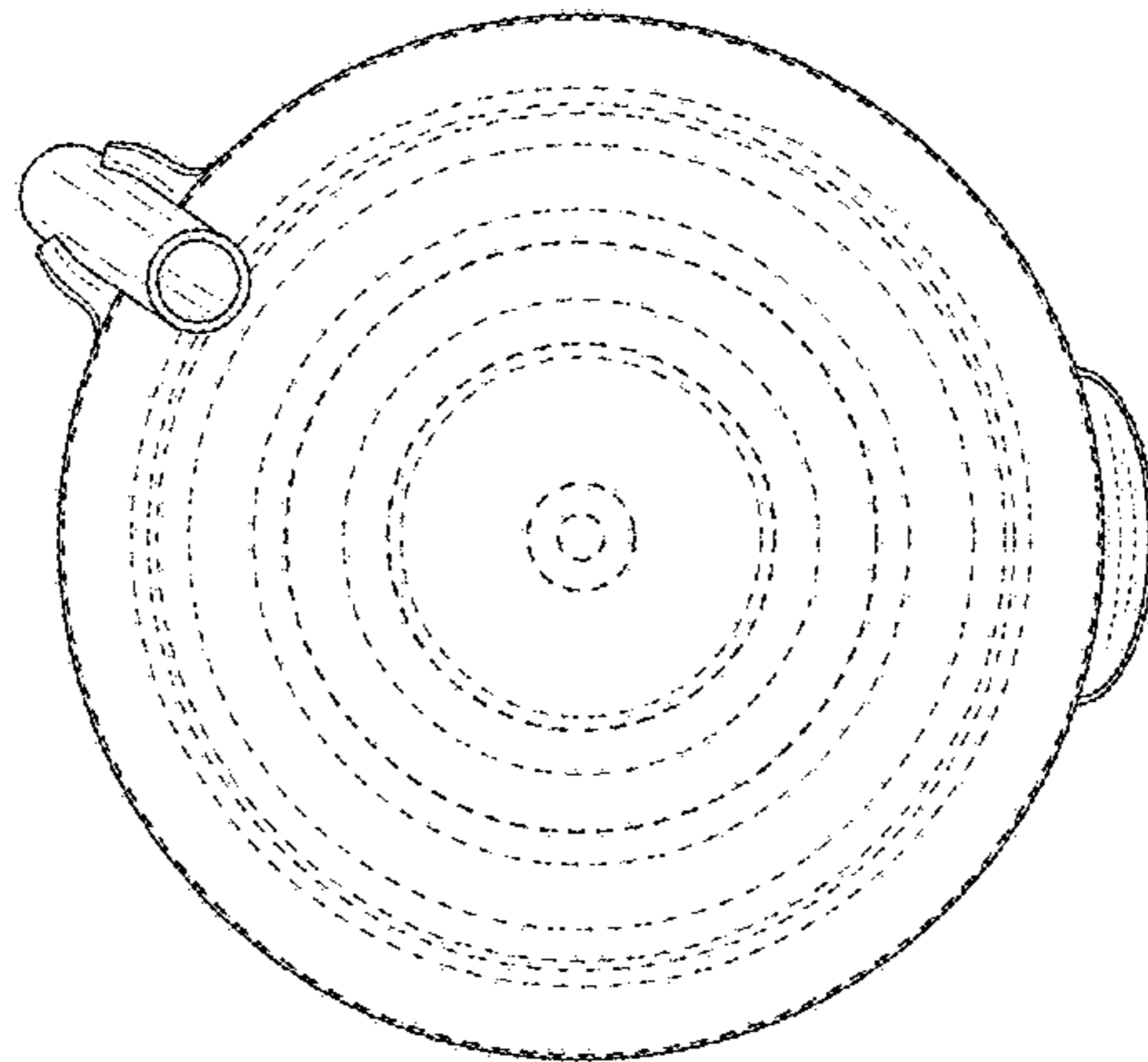


FIG. 7