



US00D798104S

(12) **United States Design Patent** (10) **Patent No.:** **US D798,104 S**
Stumph et al. (45) **Date of Patent:** **** Sep. 26, 2017**

(54) **LID FOR BLENDING JAR**

(56) **References Cited**

(71) Applicant: **BlendTec, Inc.**, Orem, UT (US)
 (72) Inventors: **Fletcher Randolph Stumph**, Lehi, UT (US); **James L. Cocke**, Draper, UT (US); **Joseph O. Jacobsen**, American Fork, UT (US)

U.S. PATENT DOCUMENTS

| | | | |
|----------------|---------|---------------------|------------------------|
| D115,517 S * | 7/1939 | Hook | D7/378 |
| D176,258 S * | 12/1955 | Hill et al. | D7/391 |
| D228,698 S * | 10/1973 | Barnard et al. | D7/378 |
| 3,778,924 A * | 12/1973 | Okui | A01M 1/2088 392/390 |
| D495,925 S * | 9/2004 | Ulanski | D7/412 |
| D647,359 S * | 10/2011 | Audette | D7/378 |
| D647,368 S * | 10/2011 | Audette | D7/376 |
| D730,683 S * | 6/2015 | Tu | D7/376 |
| 9,420,915 B2 * | 8/2016 | Dickson, Jr. | A47J 43/046 |

(73) Assignee: **BLENDTEC, INC.**, Orem, UT (US)

(**) Term: **15 Years**

* cited by examiner

(21) Appl. No.: **29/569,556**

Primary Examiner — Ricky Pham

(22) Filed: **Jun. 28, 2016**

(74) *Attorney, Agent, or Firm* — Holland & Hart

(51) **LOC (10) Cl.** **31-00**

(57) **CLAIM**

(52) **U.S. Cl.**
USPC **D7/391; D7/378; D7/412; D7/413**

The ornamental design for a “lid for blending jar,” as shown and described.

(58) **Field of Classification Search**

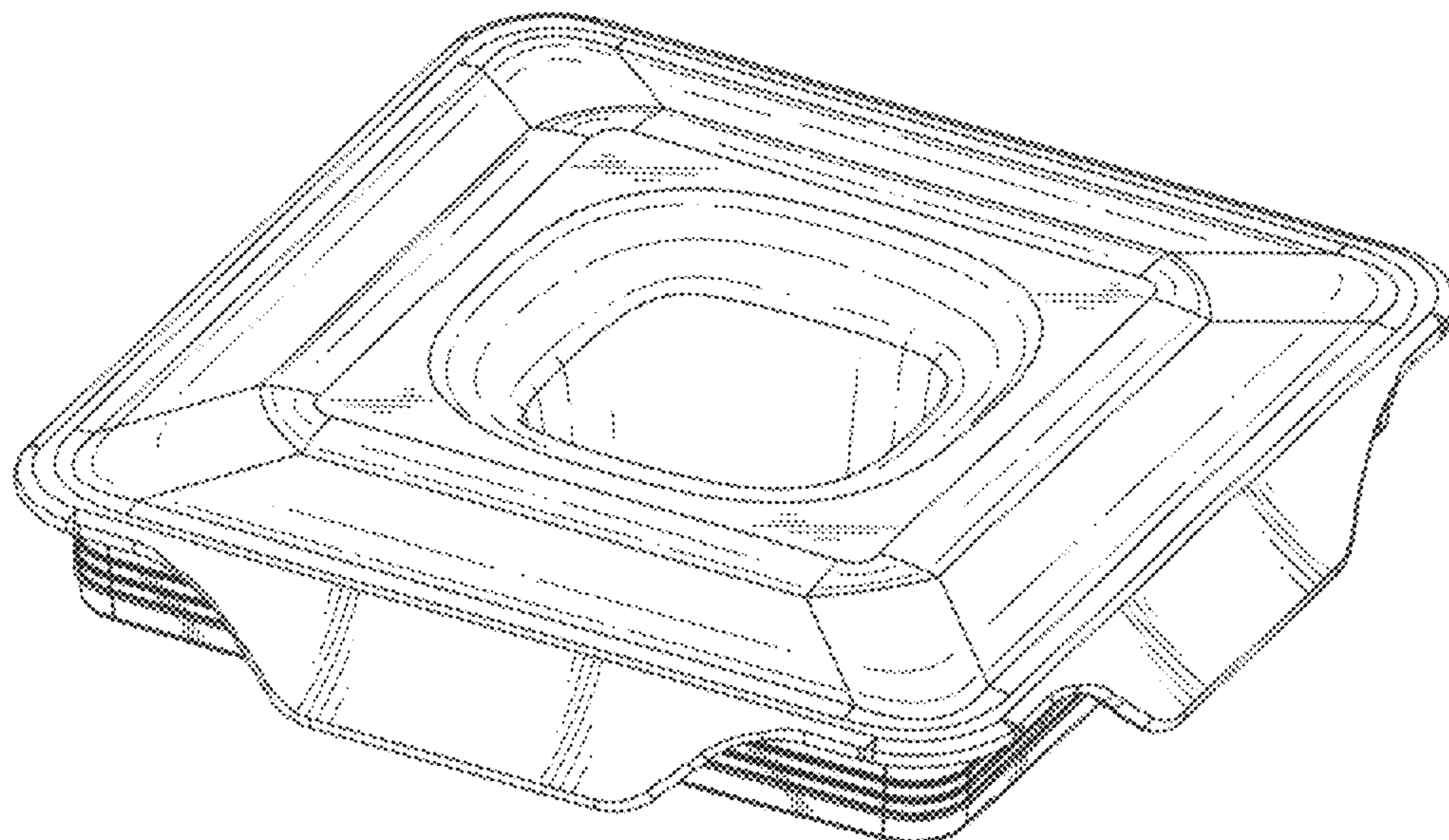
DESCRIPTION

USPC D7/372, 376–386, 391, 412–413, 602, D7/629, 665–666, 669, 679, 693–694
 CPC A01M 1/2088; A21C 1/02; A21C 1/04; A23N 1/00; A23N 1/02; A47J 43/04; A47J 43/25; A47J 43/27; A47J 43/042; A47J 43/044; A47J 43/046; A47J 43/075; A47J 43/0722; A47J 43/0727; B01F 3/00; B01F 3/0807; B01F 3/0853; B01F 13/0059; B01F 13/0064; B02C 1/08; B02C 2/04; B02C 4/42; B02C 4/142; B02C 4/143; B02C 4/423; B02C 13/1835; B28C 5/10; B28C 5/12; B28C 5/14; B28C 5/16

FIG. 1 is a top perspective view of a lid for blending jar according to the present invention;
 FIG. 2 is a bottom perspective view thereof;
 FIG. 3 is a top view thereof;
 FIG. 4 is an inverted rear view thereof;
 FIG. 5 is a front view thereof;
 FIG. 6 is a bottom view thereof;
 FIG. 7 is an inverted left side view;
 FIG. 8 is a right side view thereof;
 FIG. 9 is a top perspective view thereof; and,
 FIG. 10 is a section view, taking along the line 10-10 of FIG. 9, thereof.

See application file for complete search history.

1 Claim, 4 Drawing Sheets



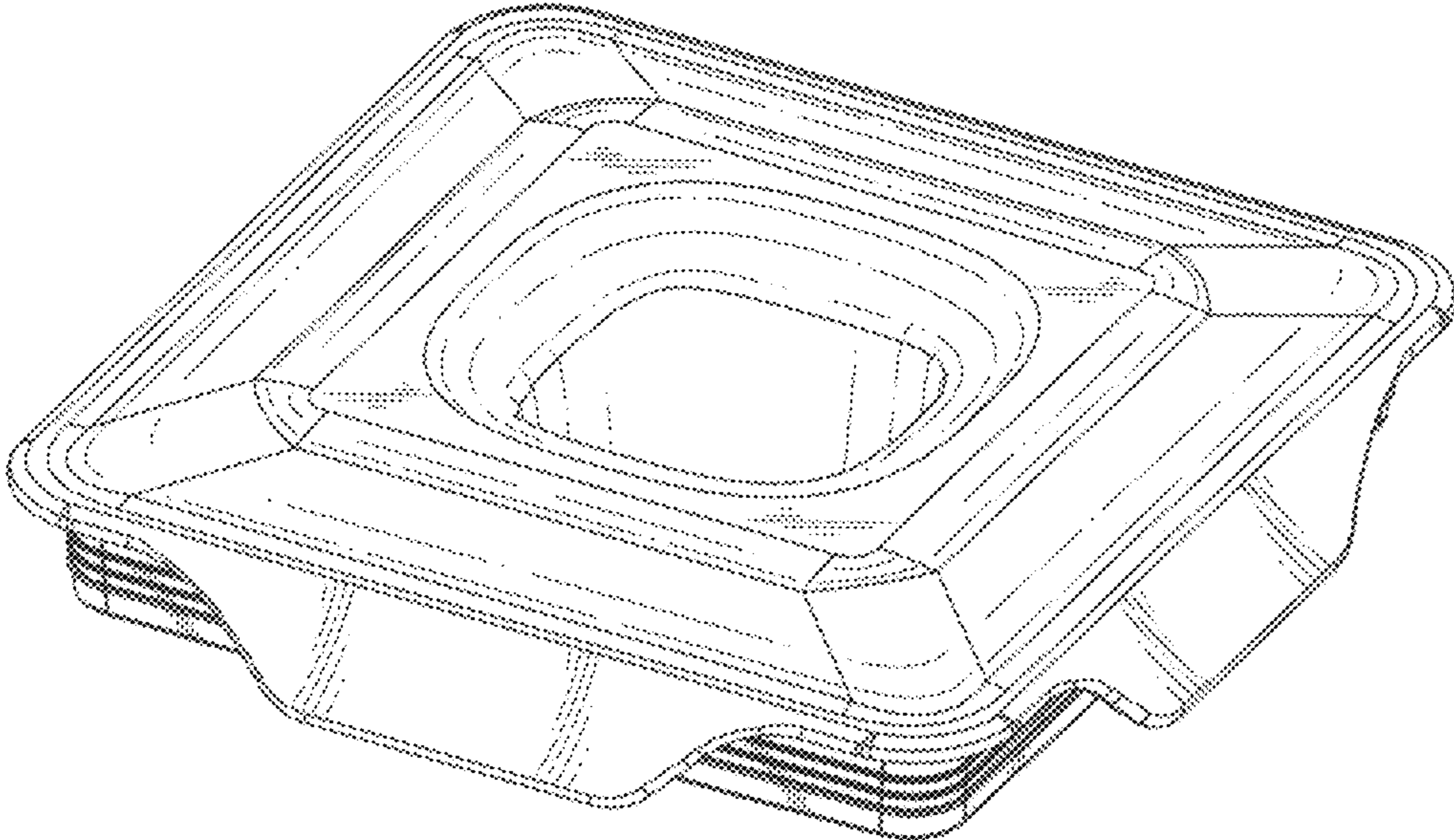


FIG. 1

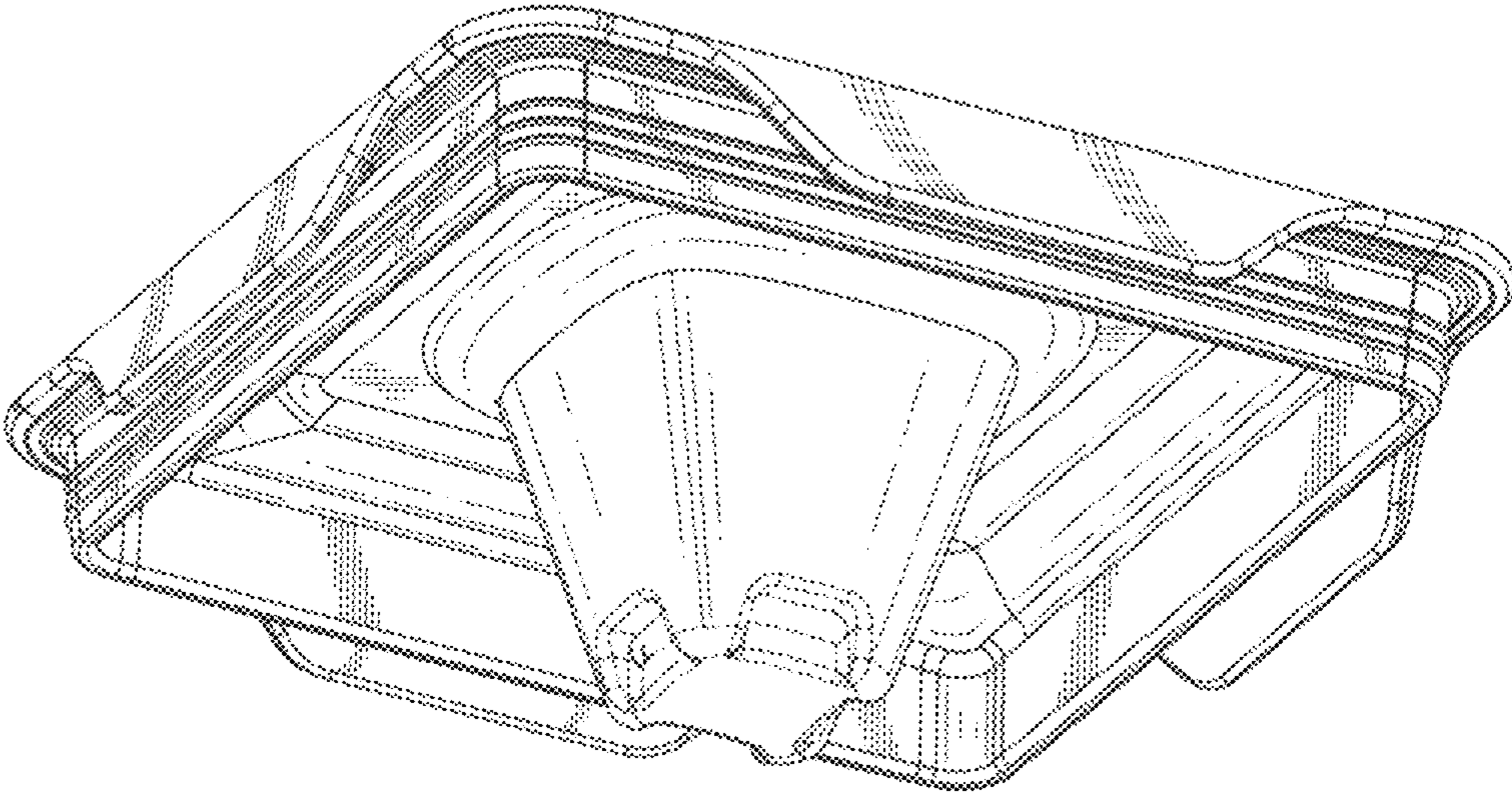


FIG. 2

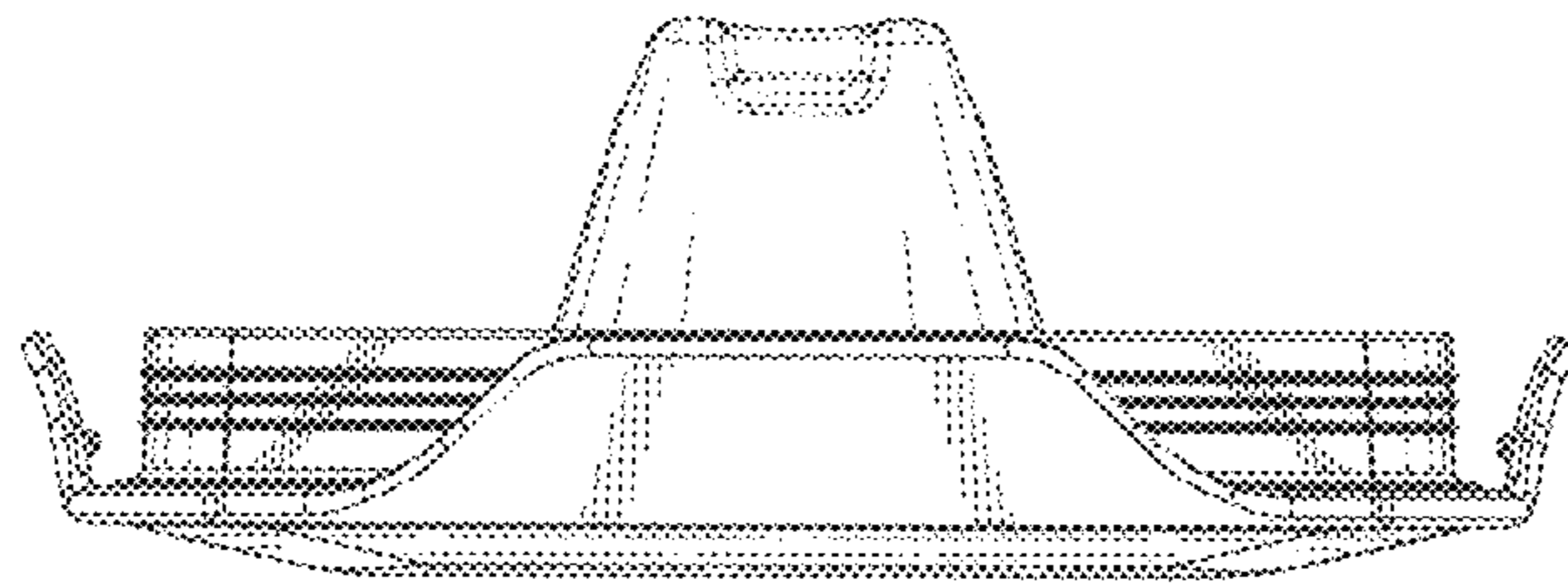


FIG. 4

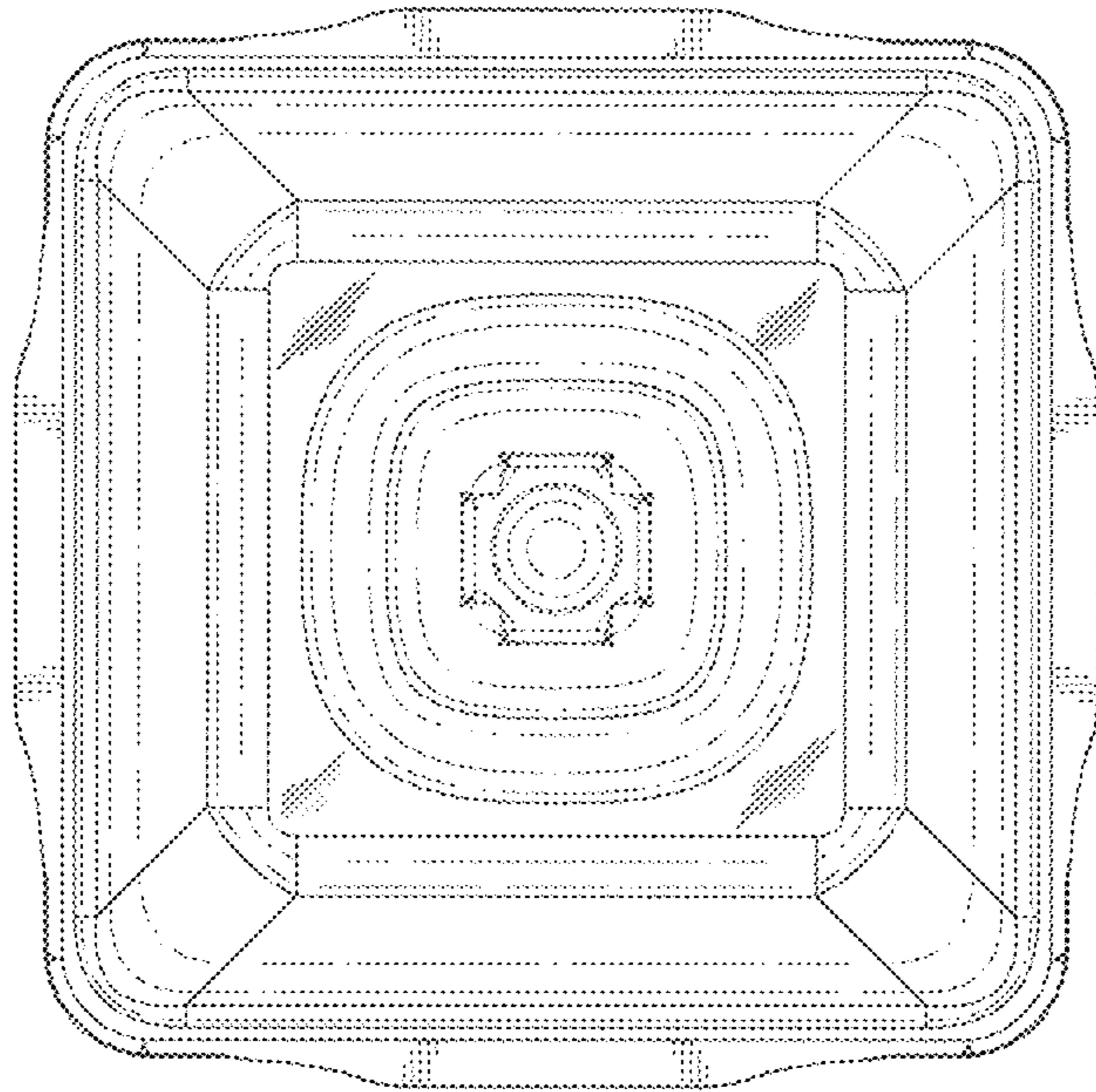


FIG. 3

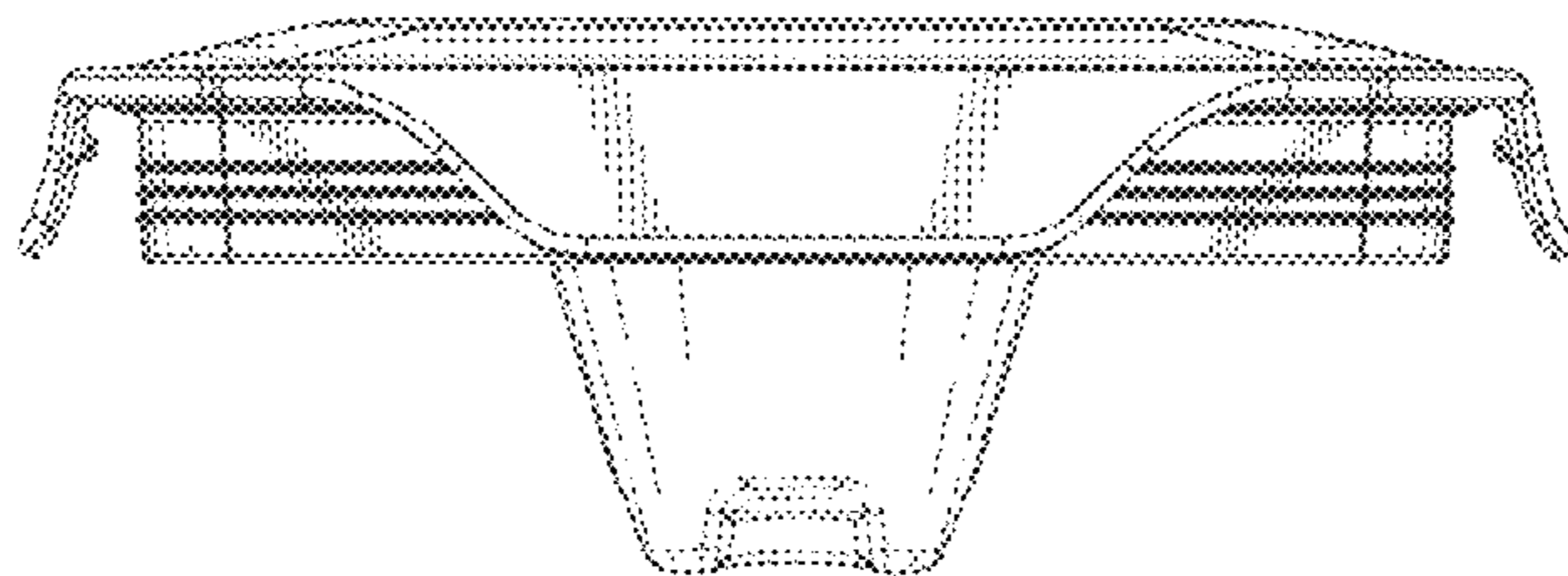


FIG. 5

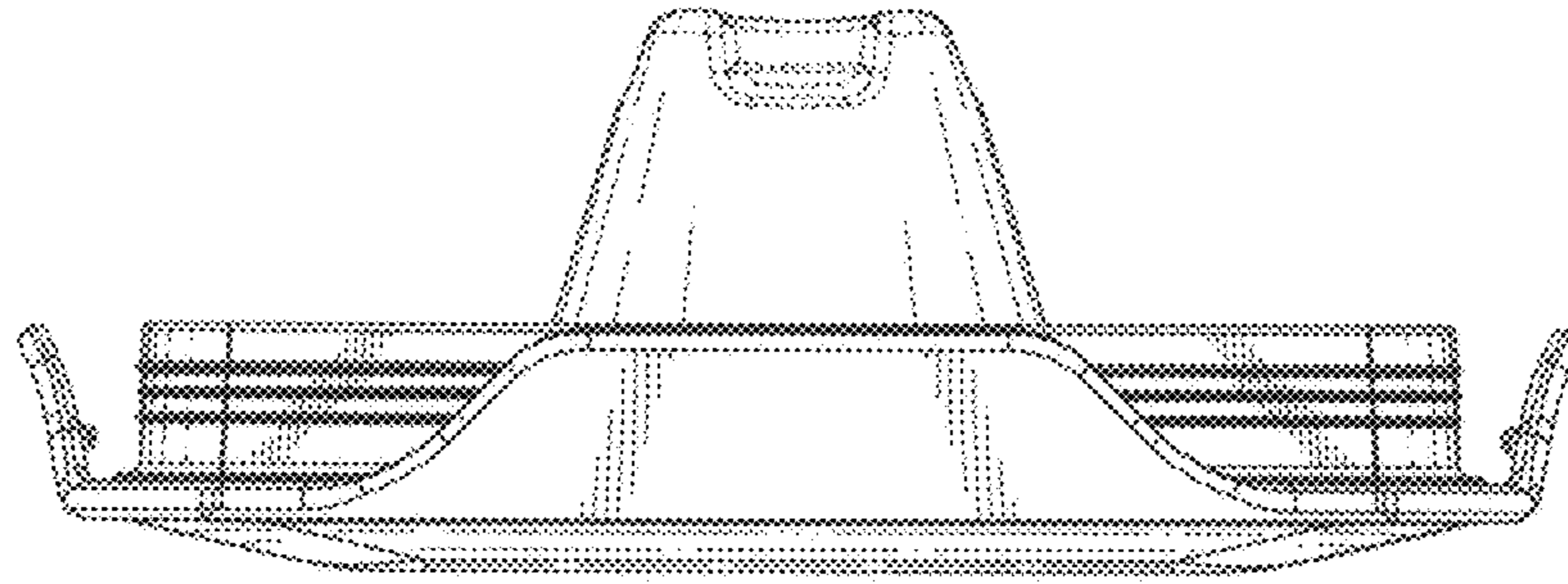


FIG. 7

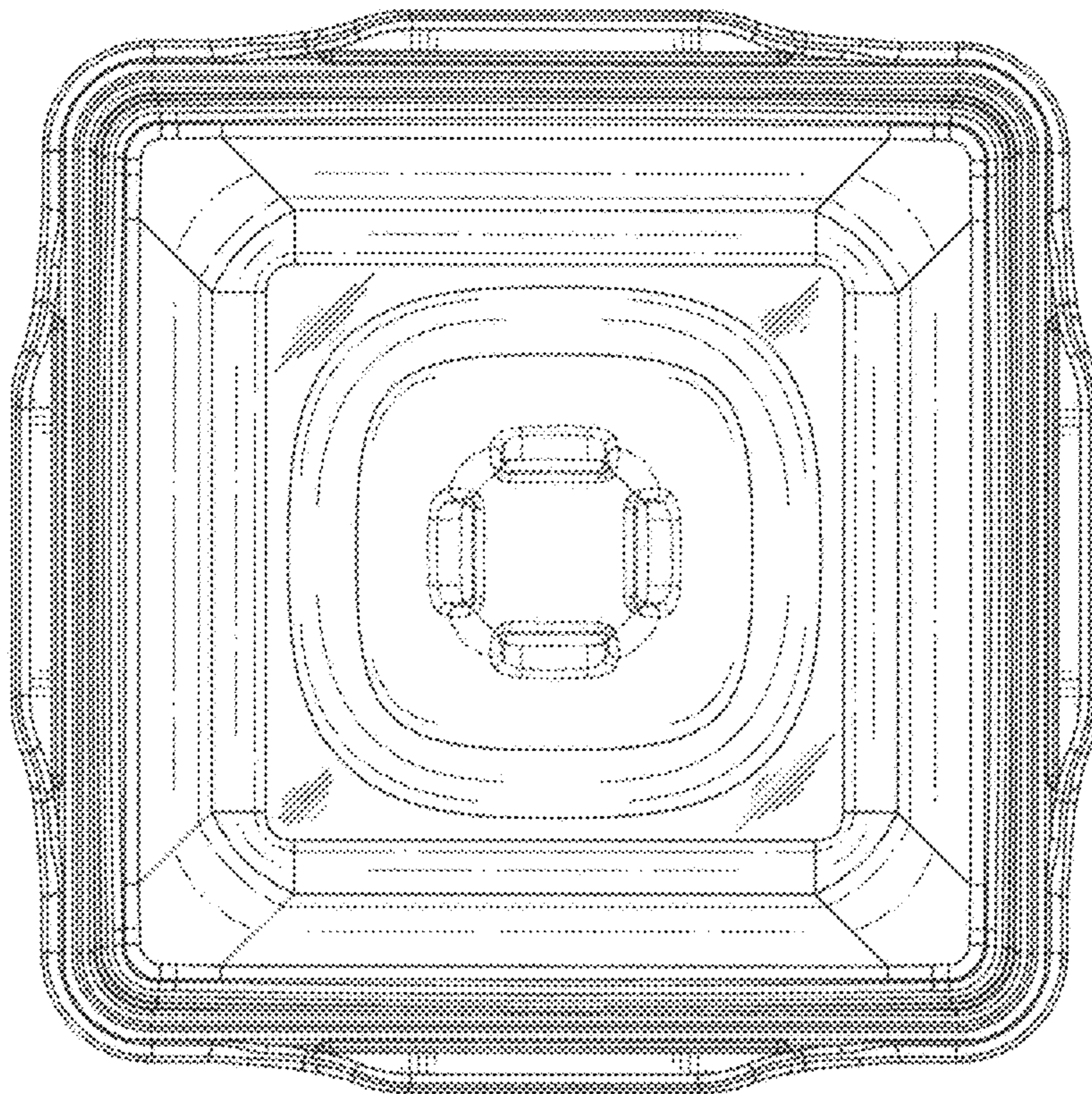


FIG. 6

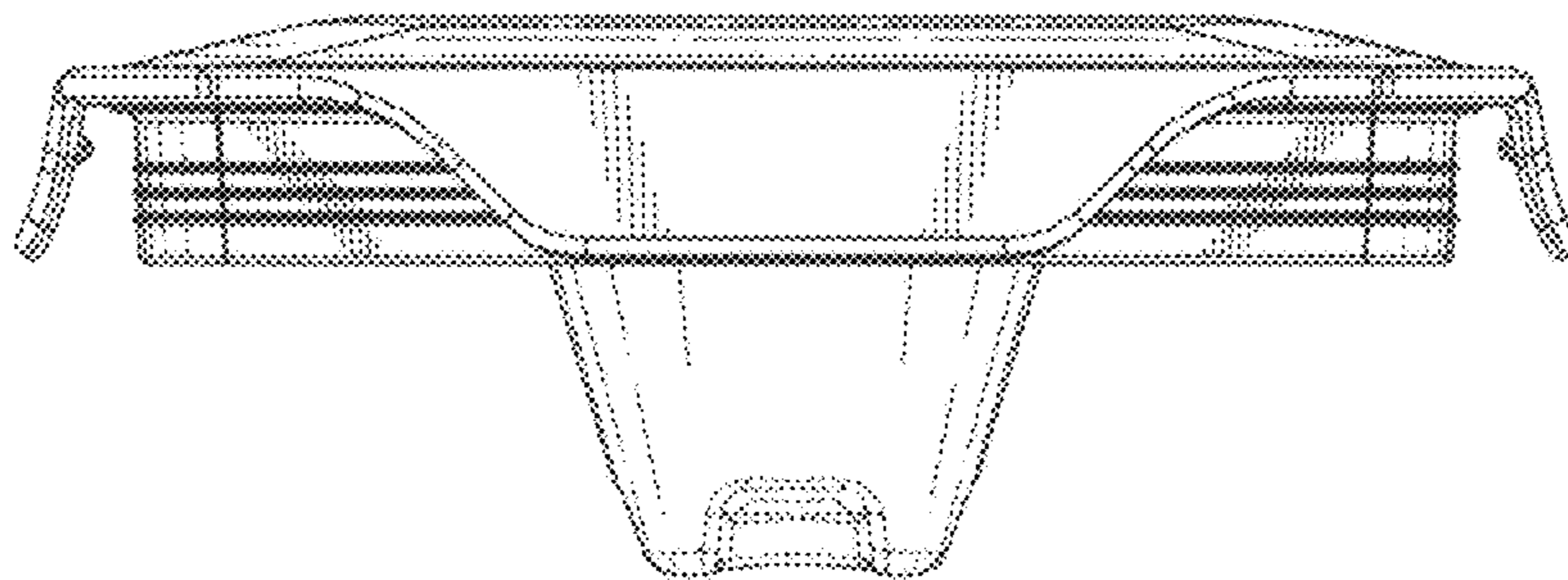


FIG. 8

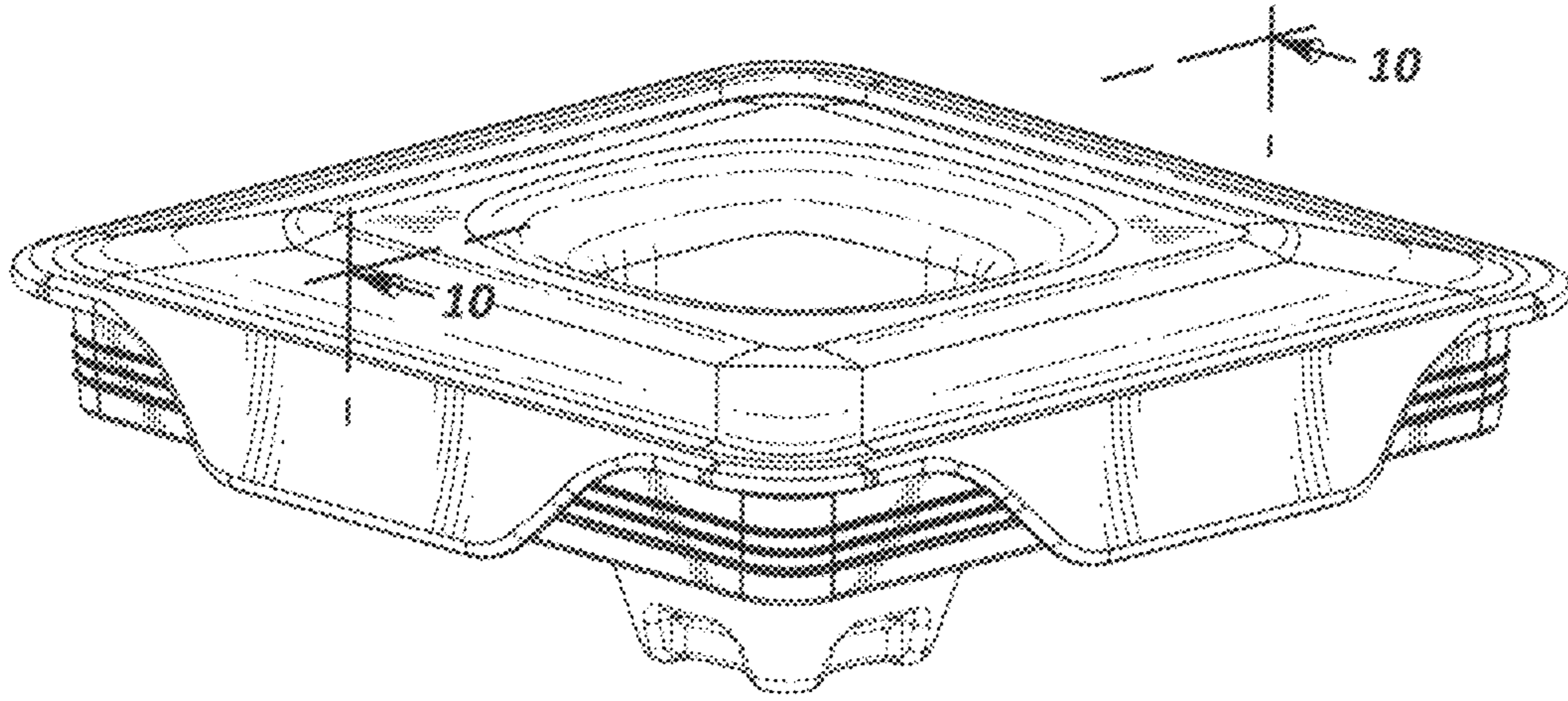


FIG. 9

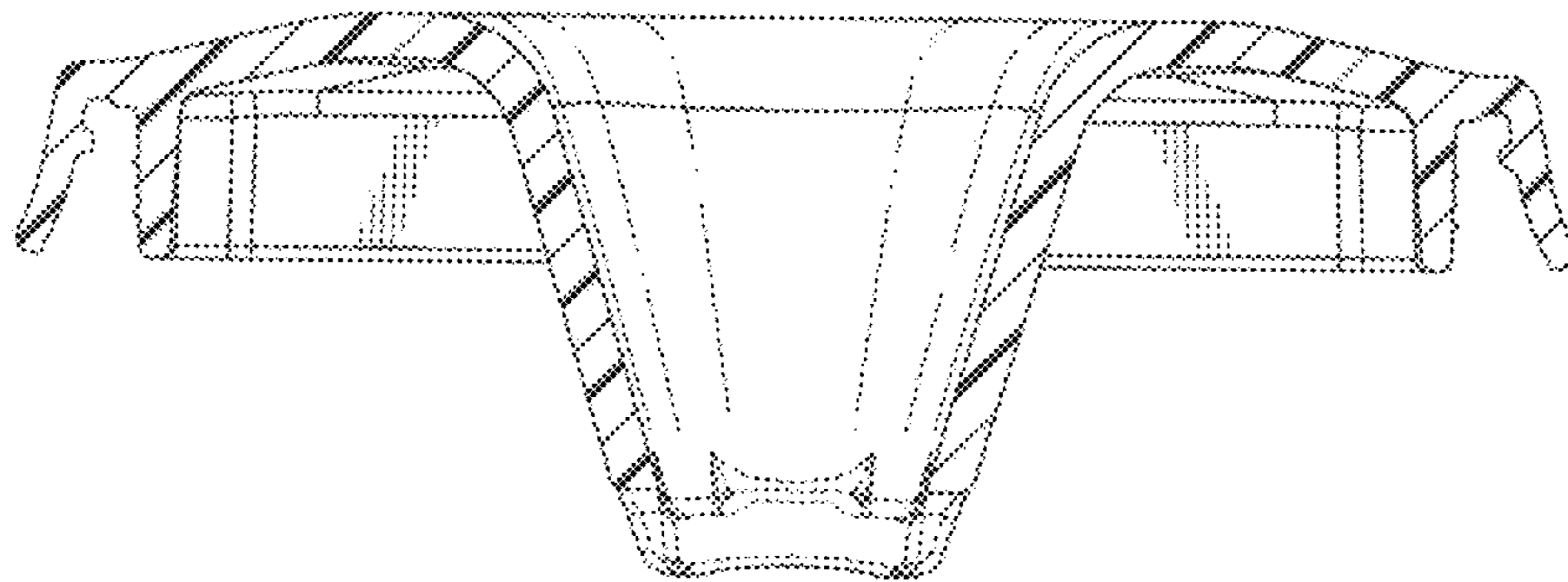


FIG. 10