



US00D798102S

(12) **United States Design Patent** (10) **Patent No.:** **US D798,102 S**
Rose et al. (45) **Date of Patent:** **** Sep. 26, 2017**

(54) **APPLIANCE BASE**

(71) Applicant: **Williams-Sonoma, Inc.**, San Francisco, CA (US)

(72) Inventors: **Phillip John Patrick Rose**, San Francisco, CA (US); **Mihai Hoge**, Atlanta, GA (US)

(73) Assignee: **Williams-Sonoma, Inc.**, San Francisco, CA (US)

(**) Term: **15 Years**

(21) Appl. No.: **29/572,074**

(22) Filed: **Jul. 25, 2016**

(51) **LOC (10) Cl.** **31-00**

(52) **U.S. Cl.**
USPC **D7/386; D7/376; D7/378; D7/412; D7/413**

(58) **Field of Classification Search**
USPC **D7/326, 372, 376-386, 412-413, 602, D7/629, 665-666, 669, 679, 693-694; D21/525**

CPC **A21C 1/02; A21C 1/04; A23N 1/00; A23N 1/02; A47J 43/04; A47J 43/25; A47J 43/27; A47J 43/042; A47J 43/044; A47J 43/046; A47J 43/075; A47J 43/0722; A47J 43/0727; B01F 3/00; B01F 3/0807; B01F 3/0853; B01F 13/0059; B01F 13/0064; B02C 1/08; B02C 2/04; B02C 4/42; B02C 4/142; B02C 4/143; B02C 4/423; B02C 13/1835; B28C 5/10; B28C 5/12; B28C 5/14; B28C 5/16**

See application file for complete search history.

(56) **References Cited**

U.S. PATENT DOCUMENTS

D220,667	S	*	5/1971	Koshido	D7/378
D259,133	S	*	5/1981	Klawitter	D21/525
D290,217	S	*	6/1987	Levin	D7/378
D348,797	S	*	7/1994	Brady	D7/386
D368,204	S	*	3/1996	Jonke	D7/386
D385,149	S	*	10/1997	Feil	D7/378
D389,696	S	*	1/1998	Feil	D7/386
D445,634	S	*	7/2001	Feil	D7/378
D475,238	S	*	6/2003	Feil	D7/376
D583,190	S	*	12/2008	Christou	D7/378
D594,696	S	*	6/2009	Day	D7/376
D641,197	S	*	7/2011	Borin	D7/326
2002/0027175	A1	*	3/2002	Capp	A47J 43/046 241/199.12

* cited by examiner

Primary Examiner — Ricky Pham

(74) *Attorney, Agent, or Firm* — Cook Alex Ltd.; R. Blake Johnston

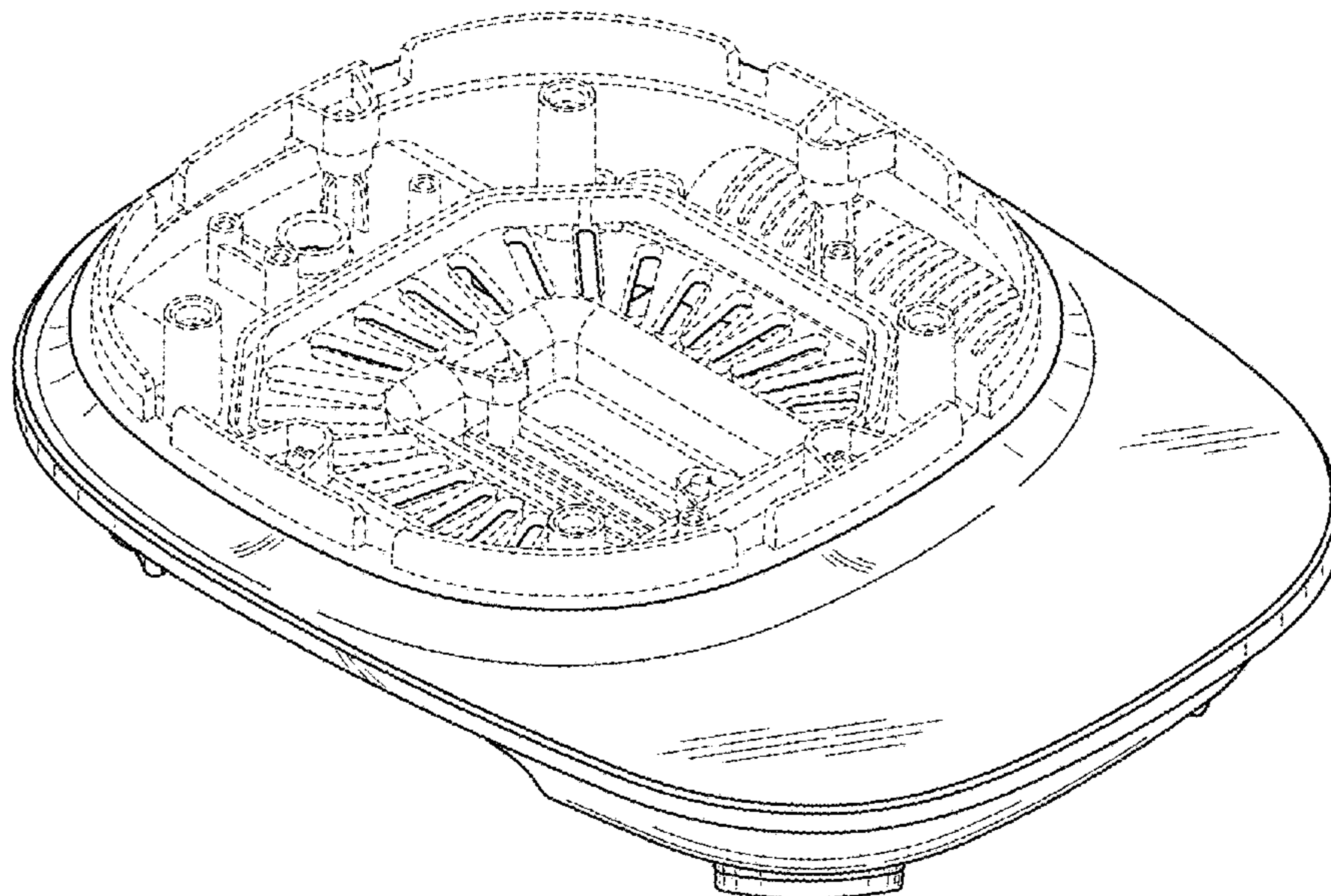
(57) **CLAIM**

The ornamental design for an appliance base, as shown and described.

DESCRIPTION

FIG. 1 is a perspective view of the appliance base; FIG. 2 is a right side elevational view of the appliance base; FIG. 3 is a left side elevational view of the appliance base; FIG. 4 is a front elevational view of the appliance base; FIG. 5 is a rear elevational view of the appliance base; FIG. 6 is a top plan view of the appliance base; and, FIG. 7 is a bottom plan view of the appliance base. The broken lines shown in the drawings are for illustrative purposes only and form no part of the claimed design.

1 Claim, 5 Drawing Sheets



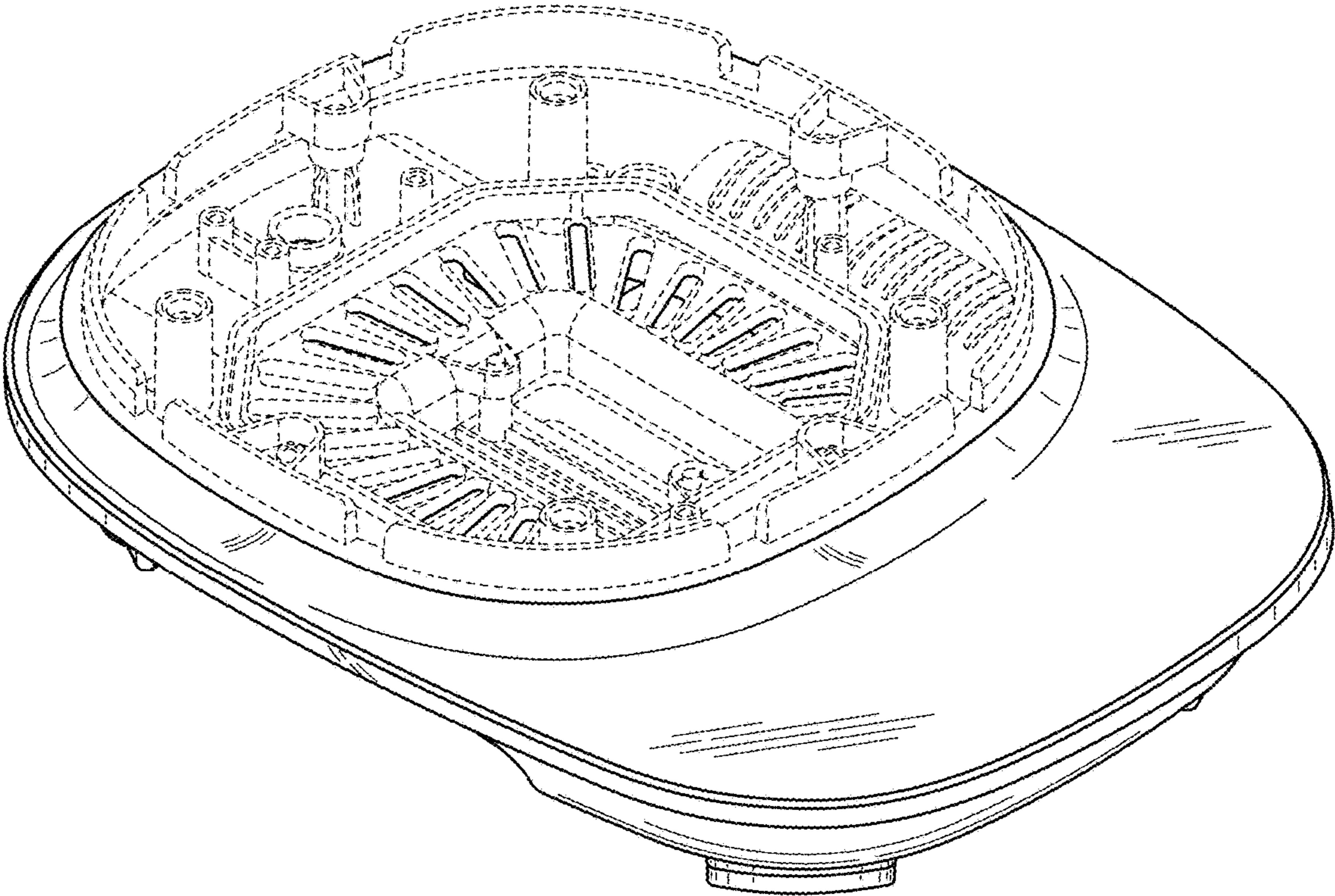


FIG. 1

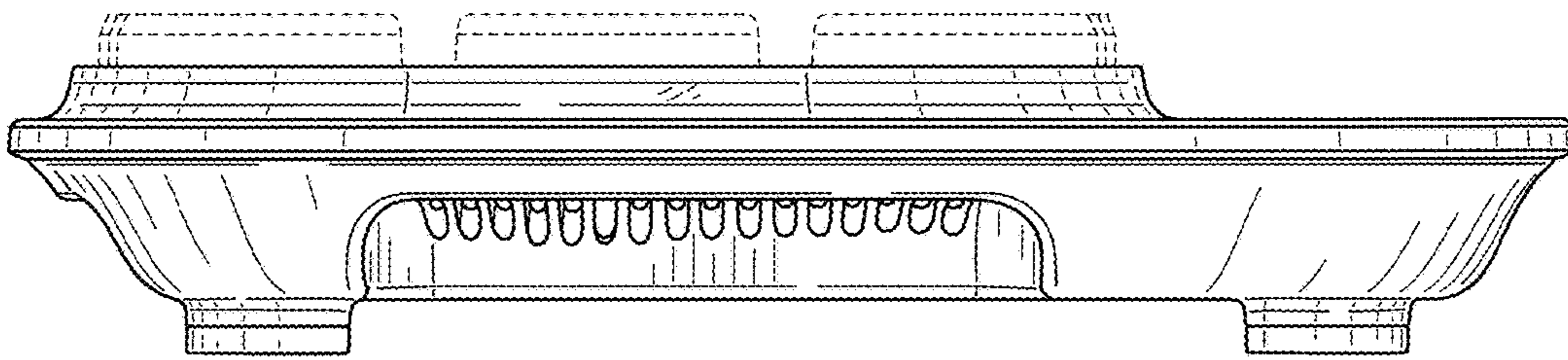


FIG. 2

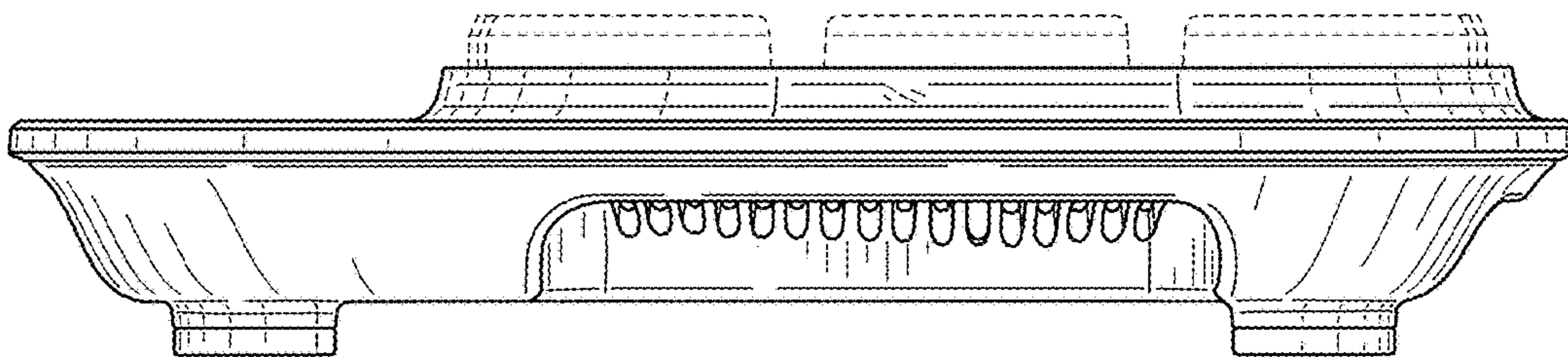


FIG. 3

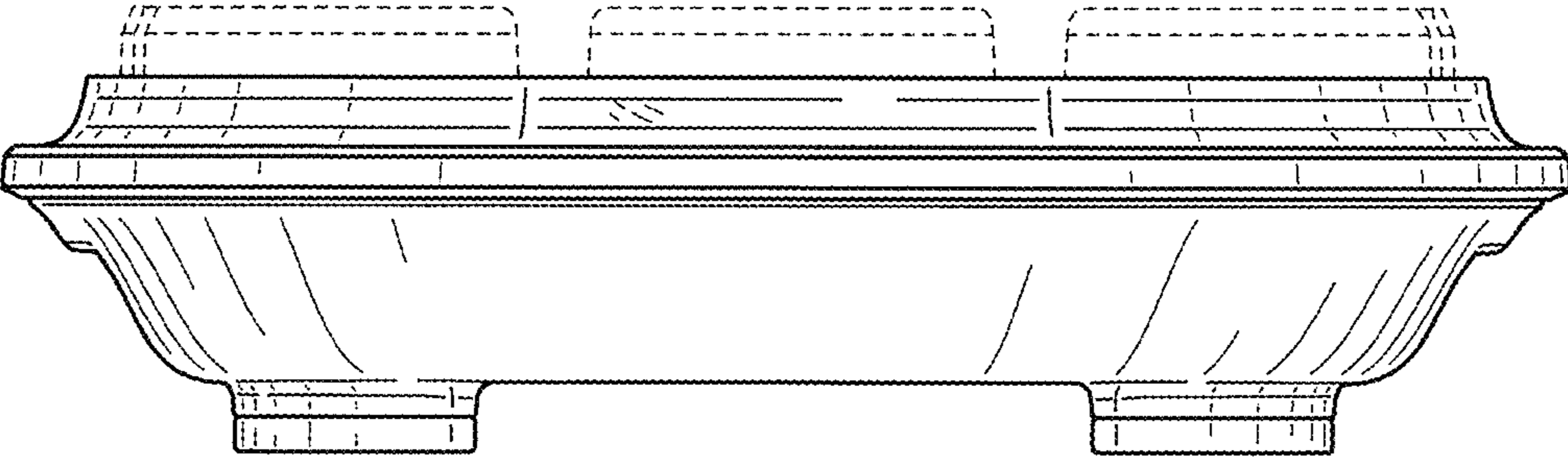


FIG. 4

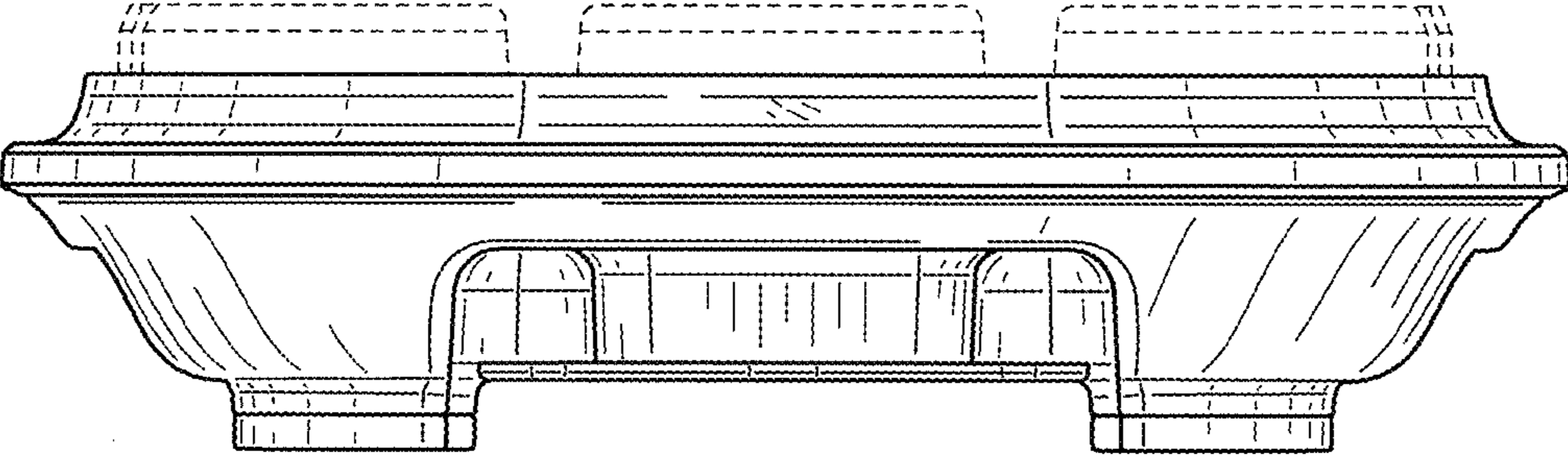


FIG. 5

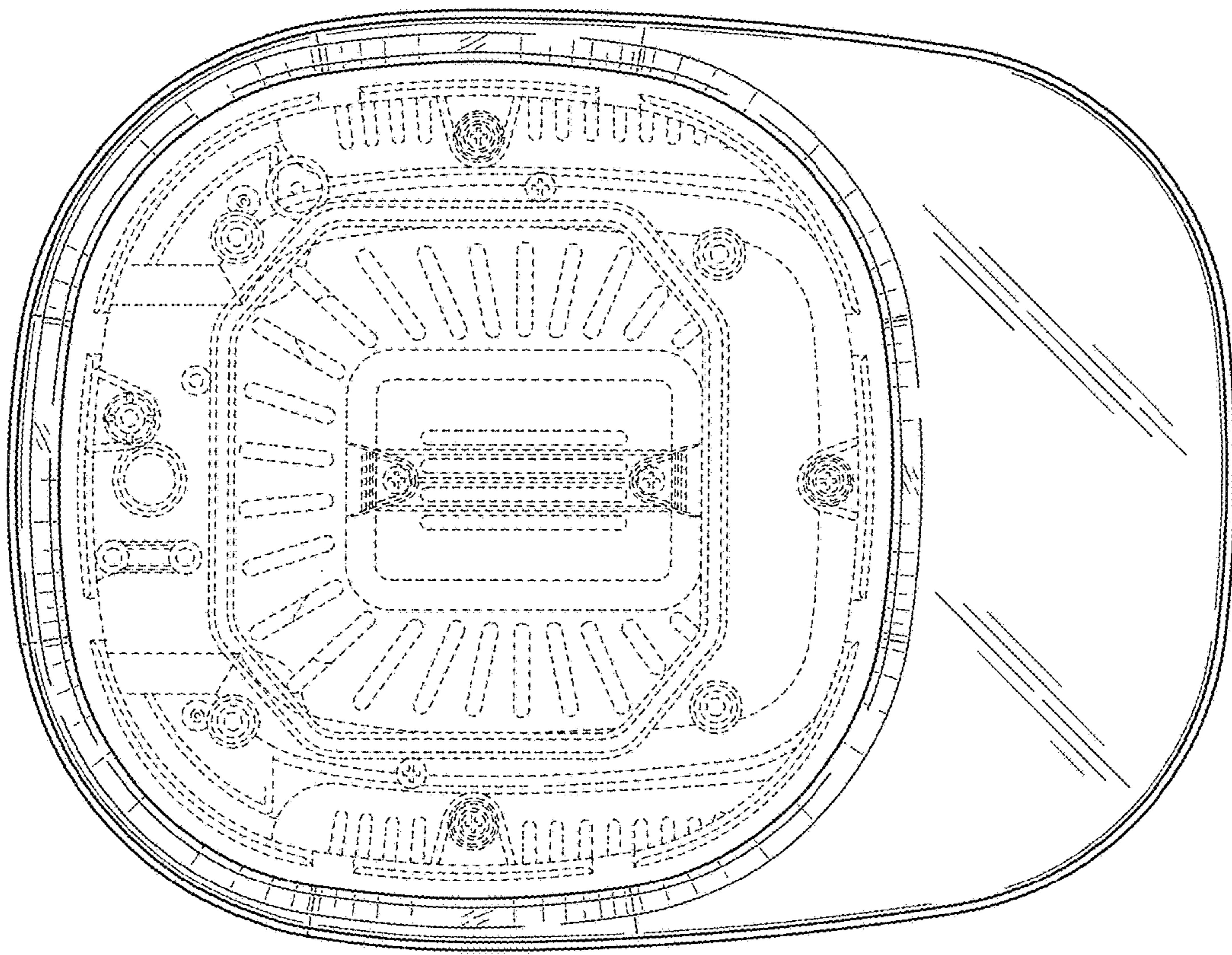


FIG. 6

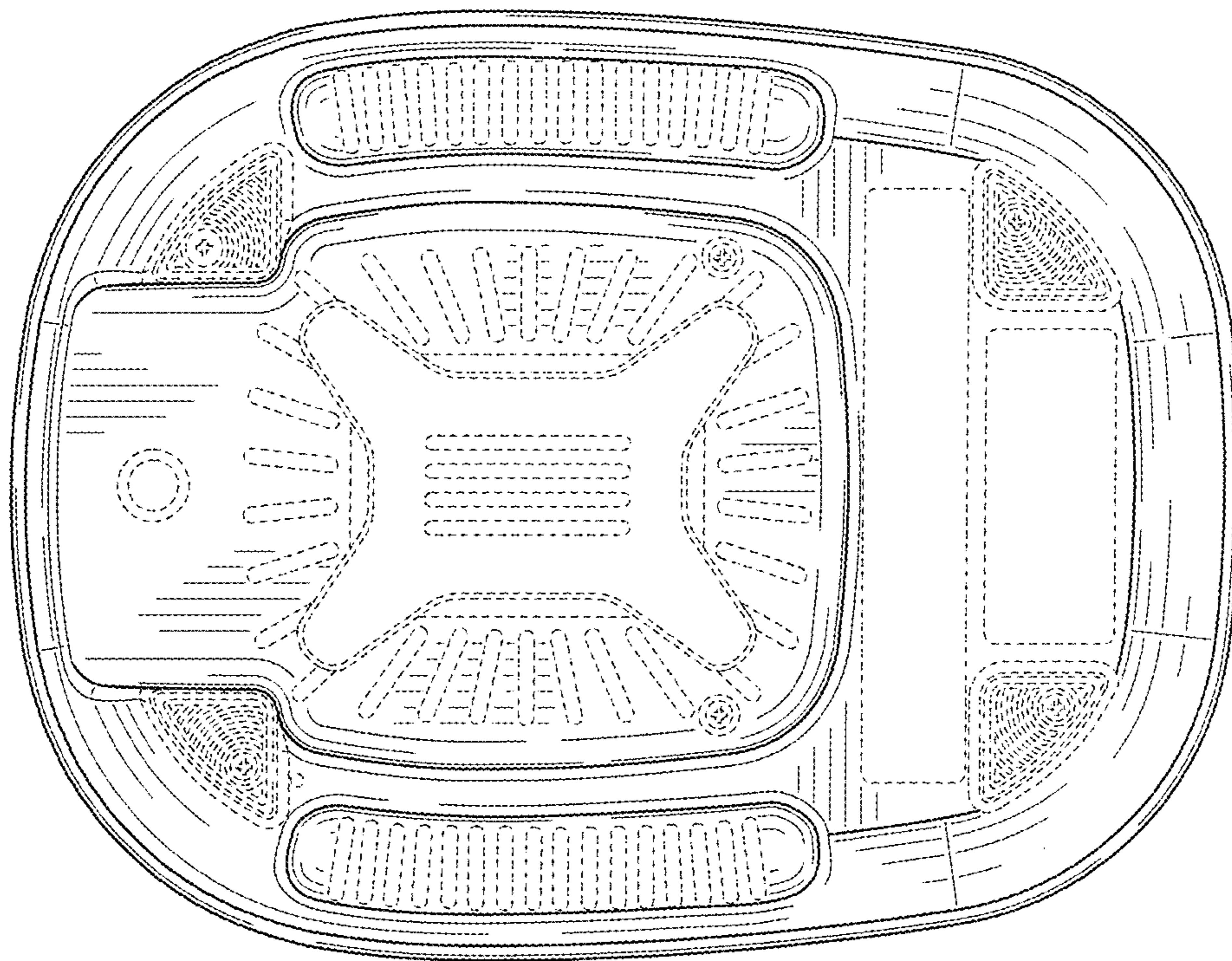


FIG. 7