



US00D798101S

(12) **United States Design Patent**
Rose et al.

(10) **Patent No.: US D798,101 S**

(45) **Date of Patent: ** Sep. 26, 2017**

(54) **BLENDER**

(71) Applicant: **Williams-Sonoma, Inc.**, San Francisco, CA (US)

(72) Inventors: **Phillip John Patrick Rose**, San Francisco, CA (US); **Mihai Hogeia**, Atlanta, GA (US)

(73) Assignee: **Williams-Sonoma, Inc.**, San Francisco, CA (US)

(**) Term: **15 Years**

(21) Appl. No.: **29/572,071**

(22) Filed: **Jul. 25, 2016**

(51) **LOC (10) Cl.** **31-00**

(52) **U.S. Cl.**

USPC **D7/378**; D7/376; D7/386; D7/413

(58) **Field of Classification Search**

USPC D7/326, 372, 376–386, 412–413, 602, D7/629, 665–666, 669, 679, 693–694; D21/525

CPC A21C 1/02; A21C 1/04; A23N 1/00; A23N 1/02; A47J 43/04; A47J 43/25; A47J 43/27; A47J 43/042; A47J 43/044; A47J 43/046; A47J 43/075; A47J 43/0722; A47J 43/0727; B01F 3/00; B01F 3/0807; B01F 3/0853; B01F 13/0059; B01F 13/0064; B02C 1/08; B02C 2/04; B02C 4/42; B02C 4/142; B02C 4/143; B02C 4/423; B02C 13/1835; B28C 5/10; B28C 5/12; B28C 5/14; B28C 5/16

See application file for complete search history.

(56) **References Cited**

U.S. PATENT DOCUMENTS

D209,493 S * 12/1967 Le Sueur D7/378
D220,667 S * 5/1971 Koshido D7/378
D259,133 S * 5/1981 Klawitter D21/525

D347,966 S * 6/1994 Doggett D7/378
D368,204 S * 3/1996 Jonke D7/386
D385,149 S * 10/1997 Feil D7/378
6,666,574 B1 * 12/2003 Pryor A47J 43/0722
241/282.1
D537,674 S * 3/2007 Davenport D7/378
D553,426 S * 10/2007 Lin D7/378
D583,190 S * 12/2008 Christou D7/378

(Continued)

Primary Examiner — Ricky Pham

(74) *Attorney, Agent, or Firm* — Cook Alex Ltd.; R. Blake Johnston

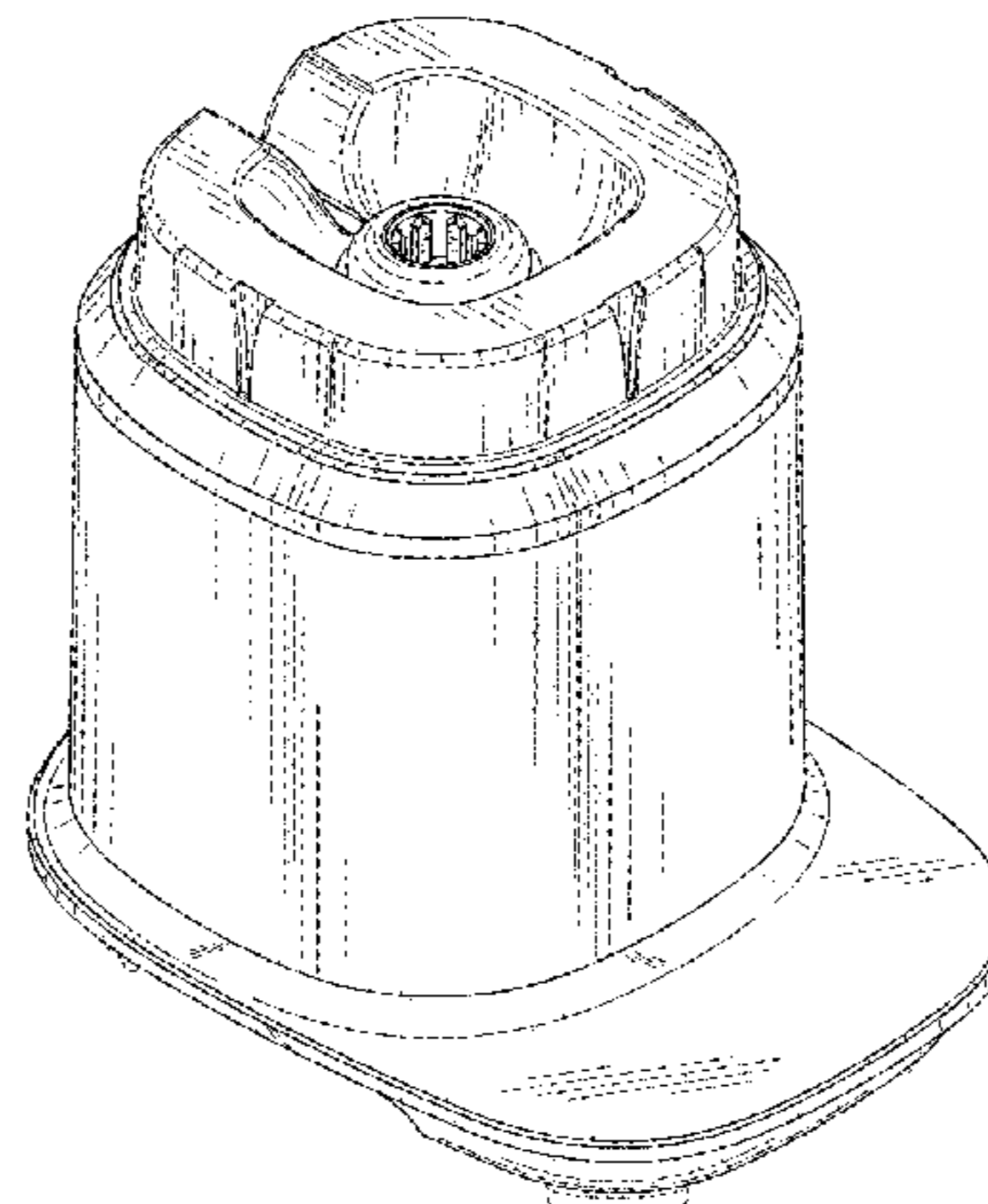
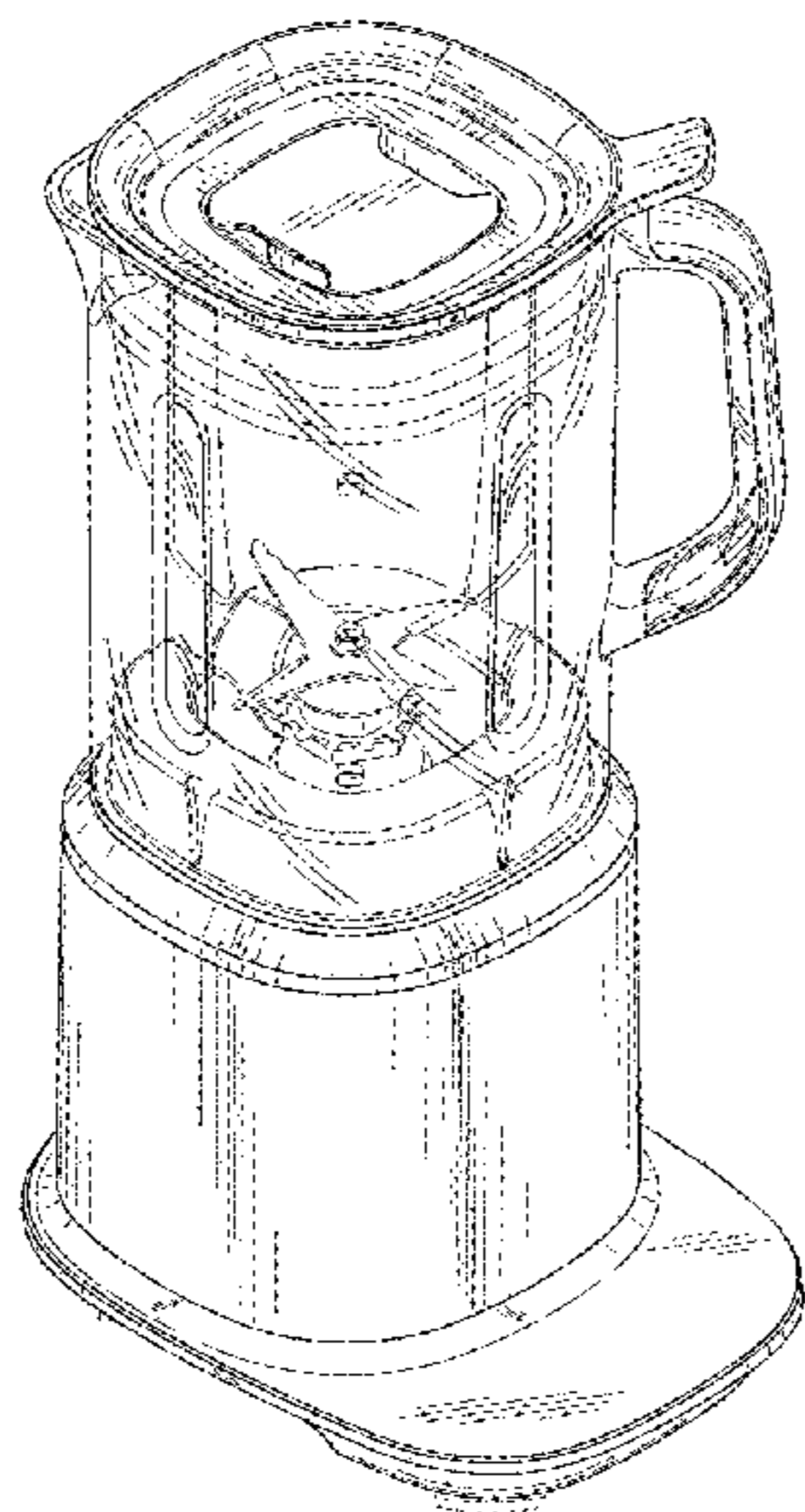
(57) **CLAIM**

The ornamental design for a blender, as shown and described.

DESCRIPTION

FIG. 1 is a perspective view of the blender; FIG. 2 is a right side elevational view of the blender, FIG. 3 is a left side elevational view of the blender, FIG. 4 is a front elevational view of the blender; FIG. 5 is a rear elevational view of the blender; FIG. 6 is a top plan view of the blender; FIG. 7 is a bottom plan view of the blender; FIG. 8 is a perspective view of the blender base, shown without the container for completeness of disclosure; FIG. 9 is a right side elevational view of the alternative embodiment of the blender; FIG. 10 is a left side elevational view of the alternative embodiment of the blender, FIG. 11 is a front elevational view of the alternative embodiment of the blender; FIG. 12 is a rear elevational view of the alternative embodiment of the blender; and, FIG. 13 is a top plan view of the alternative embodiment of the blender, the bottom side of which is identical to FIG. 7. The broken lines shown in the drawings are for illustrative purposes only and form no part of the claimed design.

1 Claim, 12 Drawing Sheets



(56)

References Cited

U.S. PATENT DOCUMENTS

D594,696 S * 6/2009 Day D7/376
D638,653 S * 5/2011 Borin D7/326
D776,973 S * 1/2017 Du D7/376

* cited by examiner

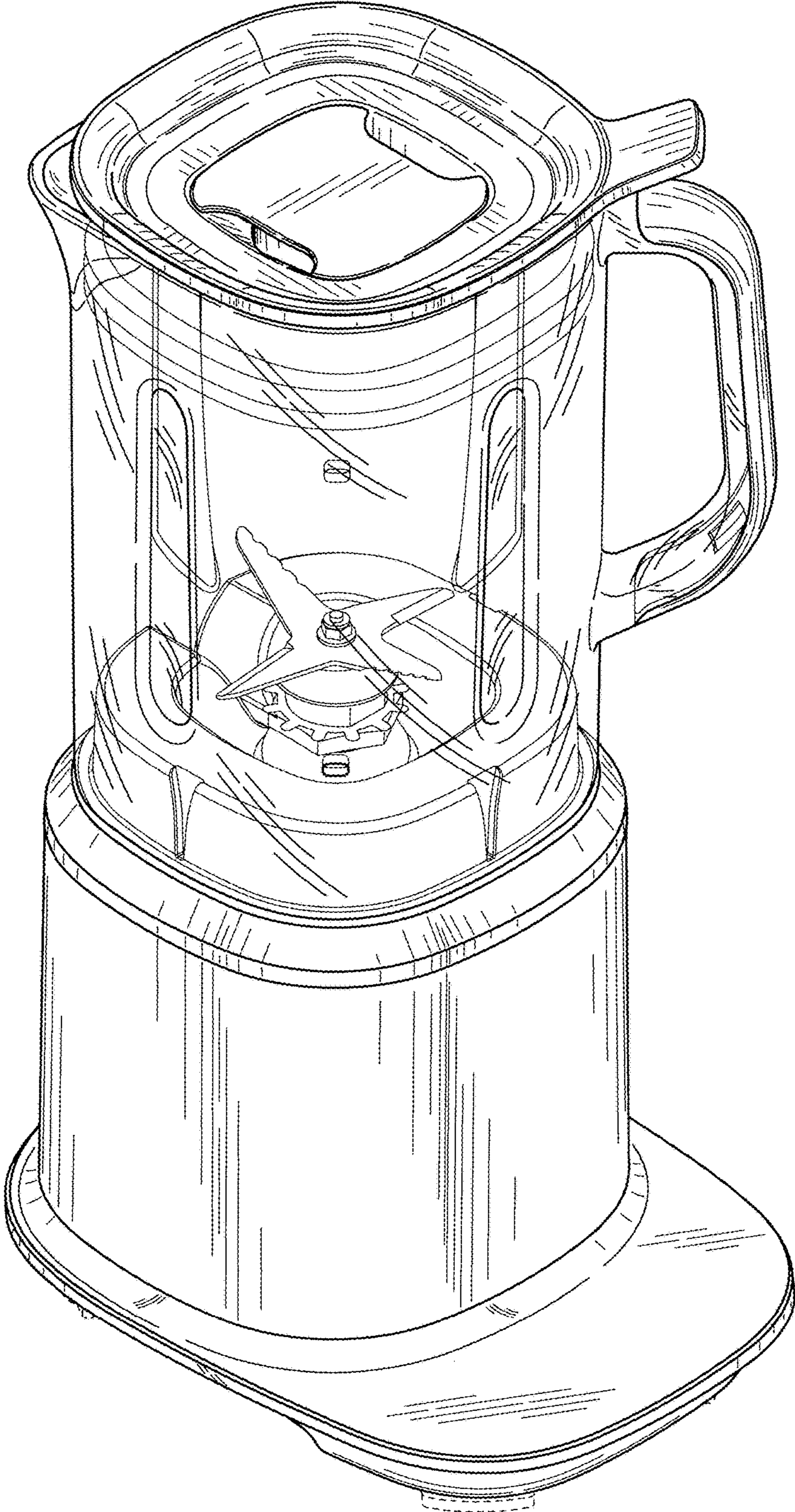


FIG. 1

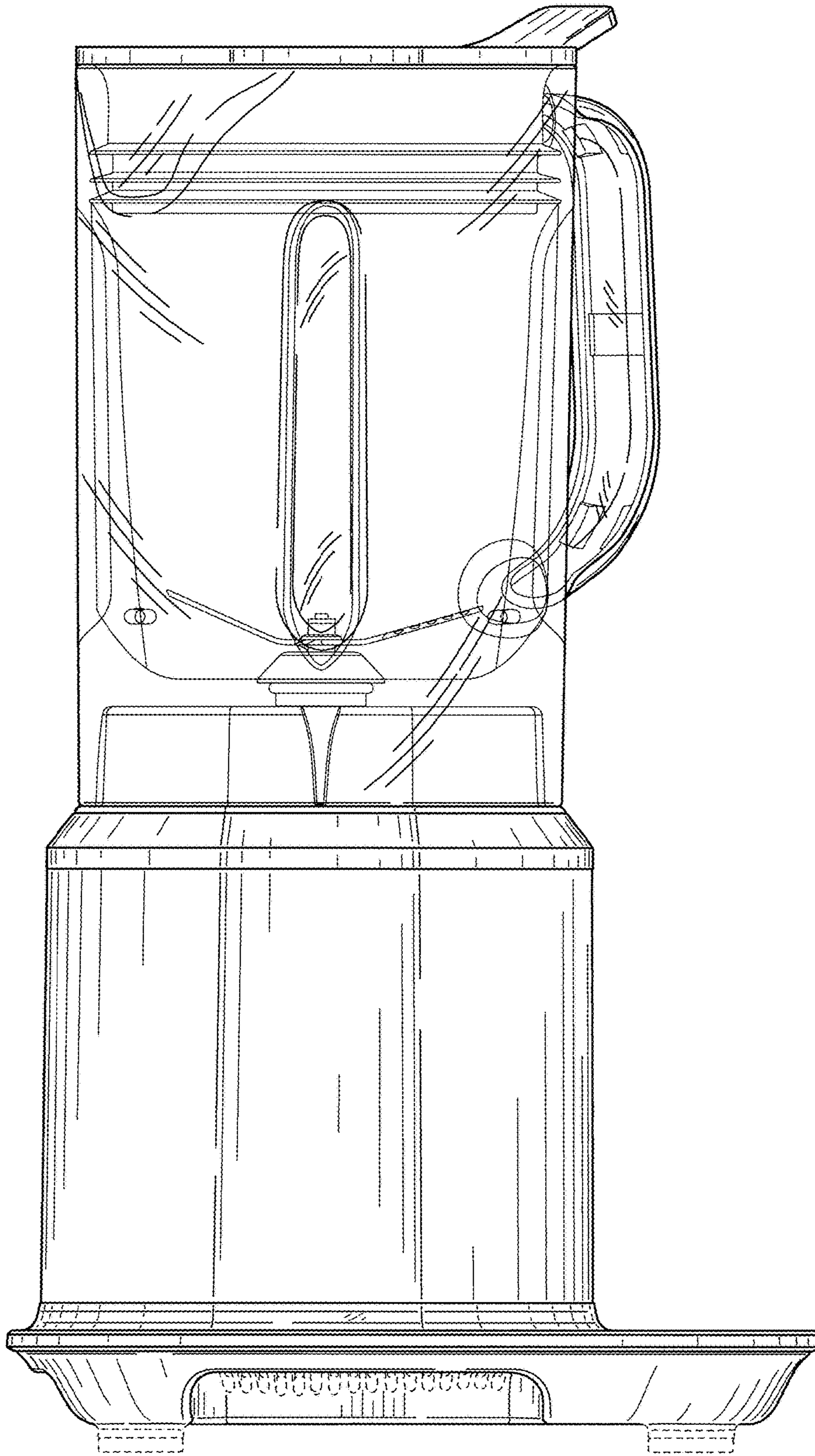


FIG. 2

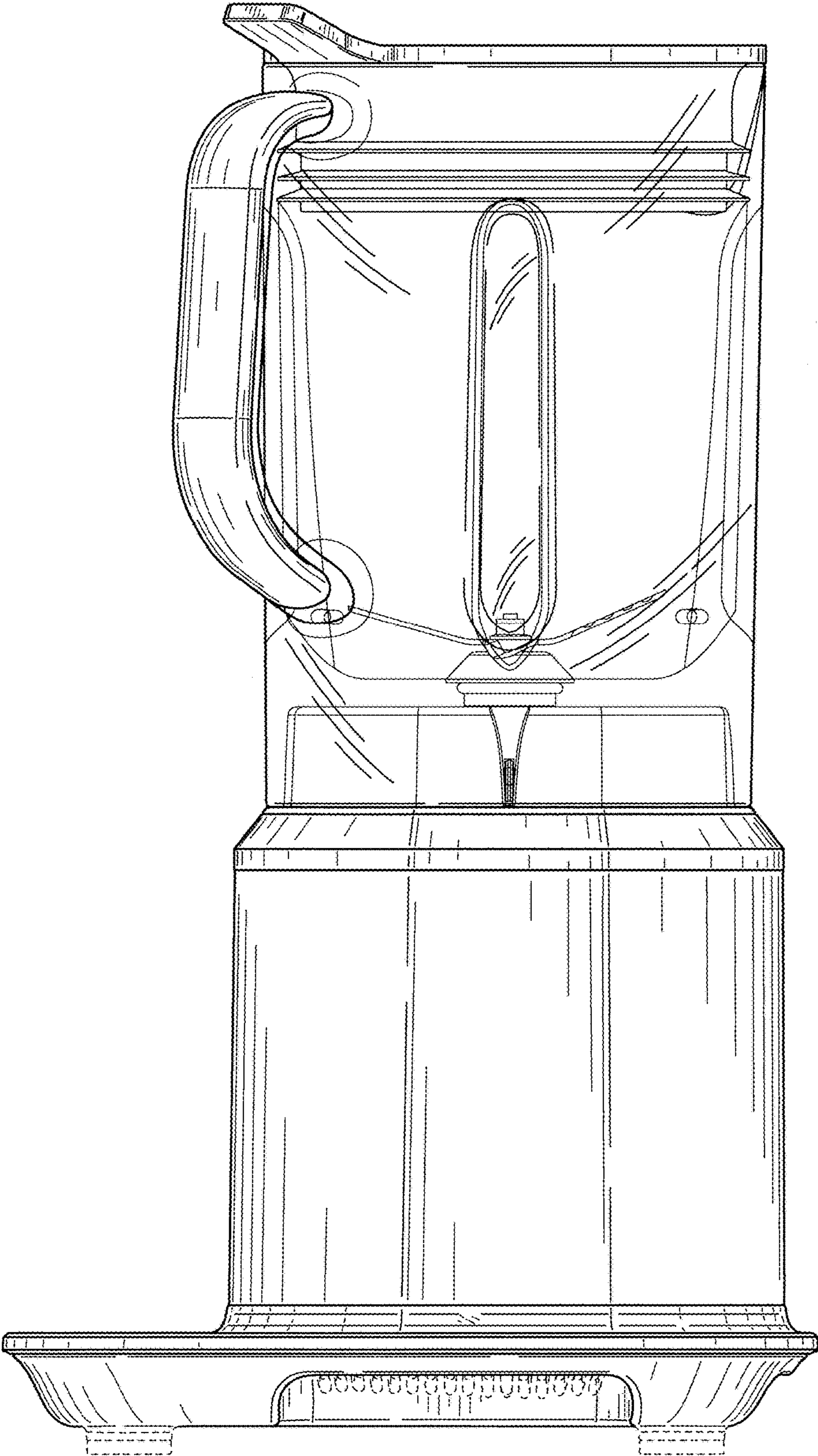


FIG. 3

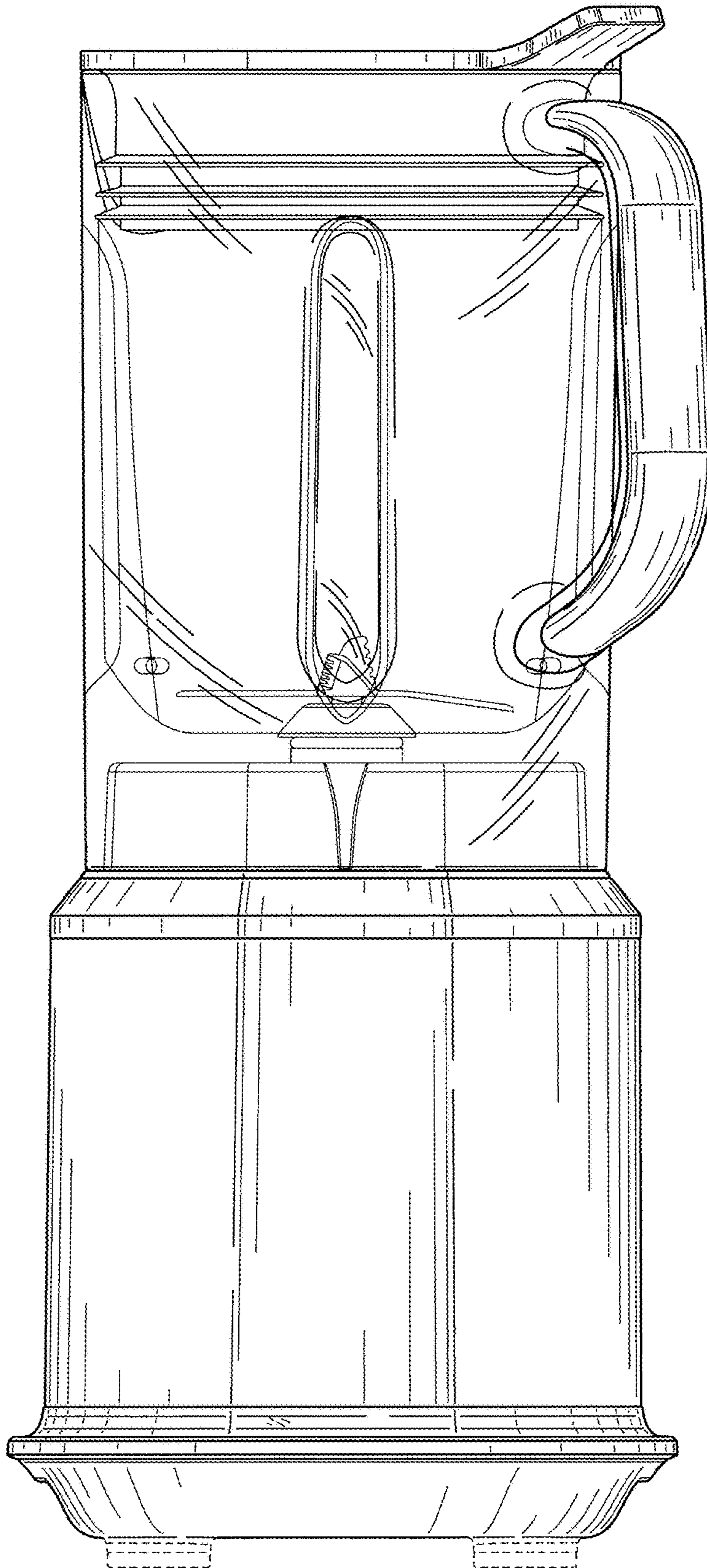


FIG. 4

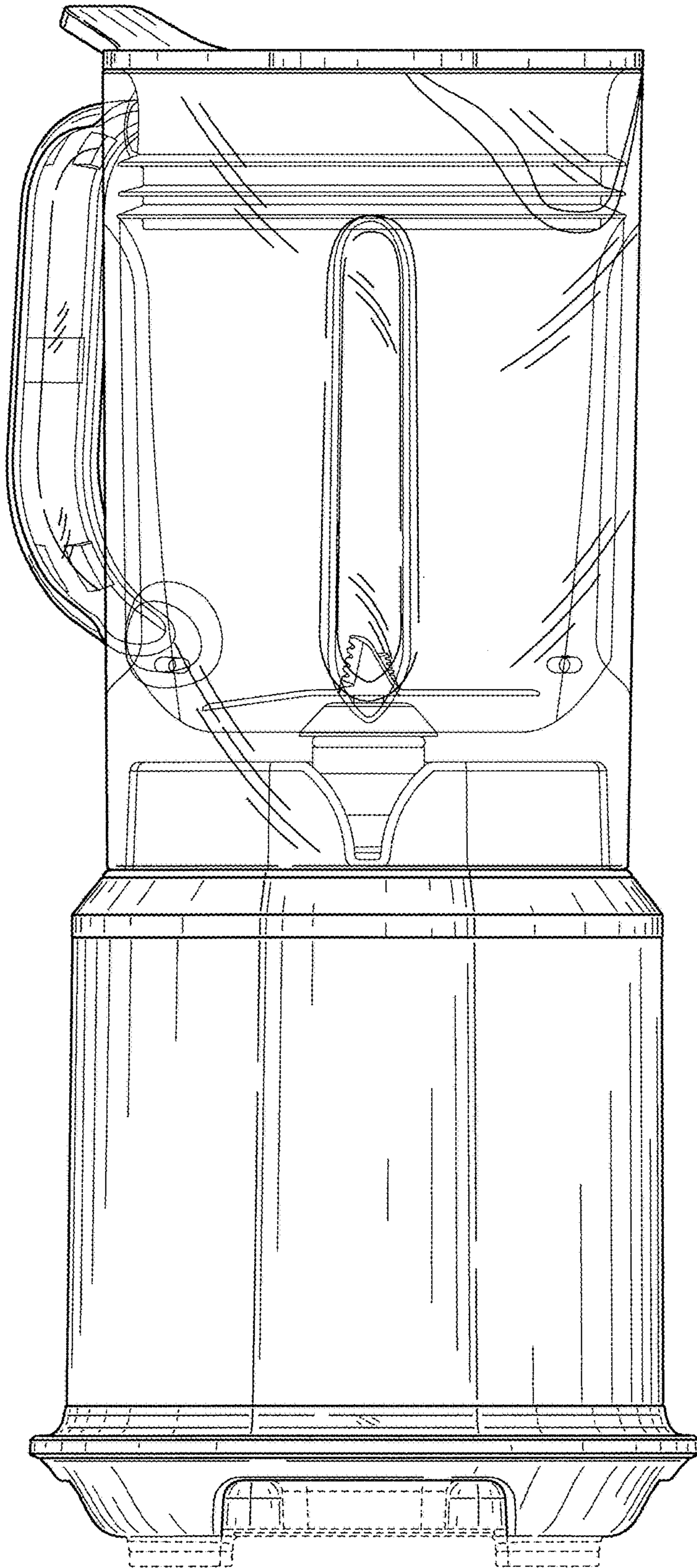


FIG. 5

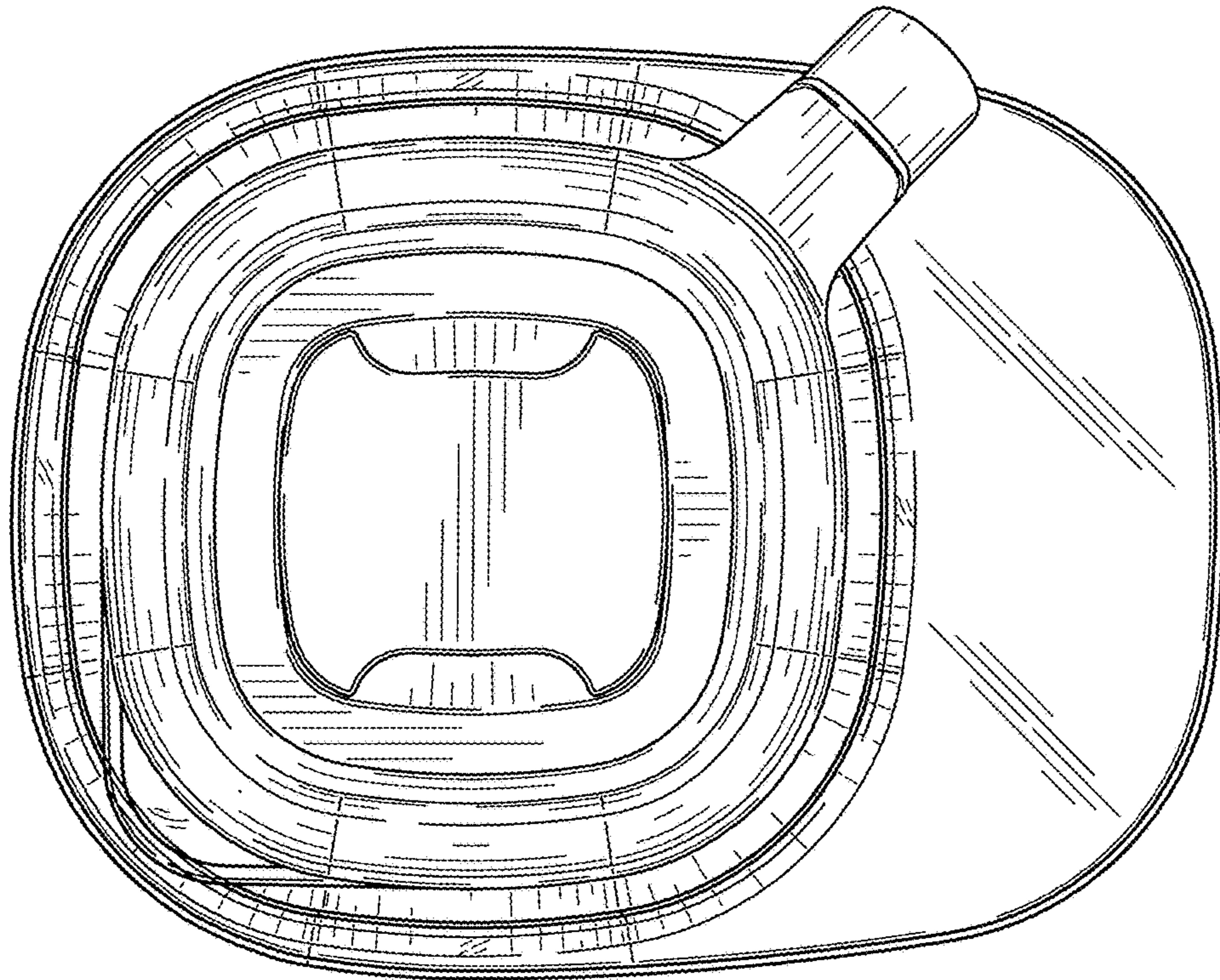


FIG. 6

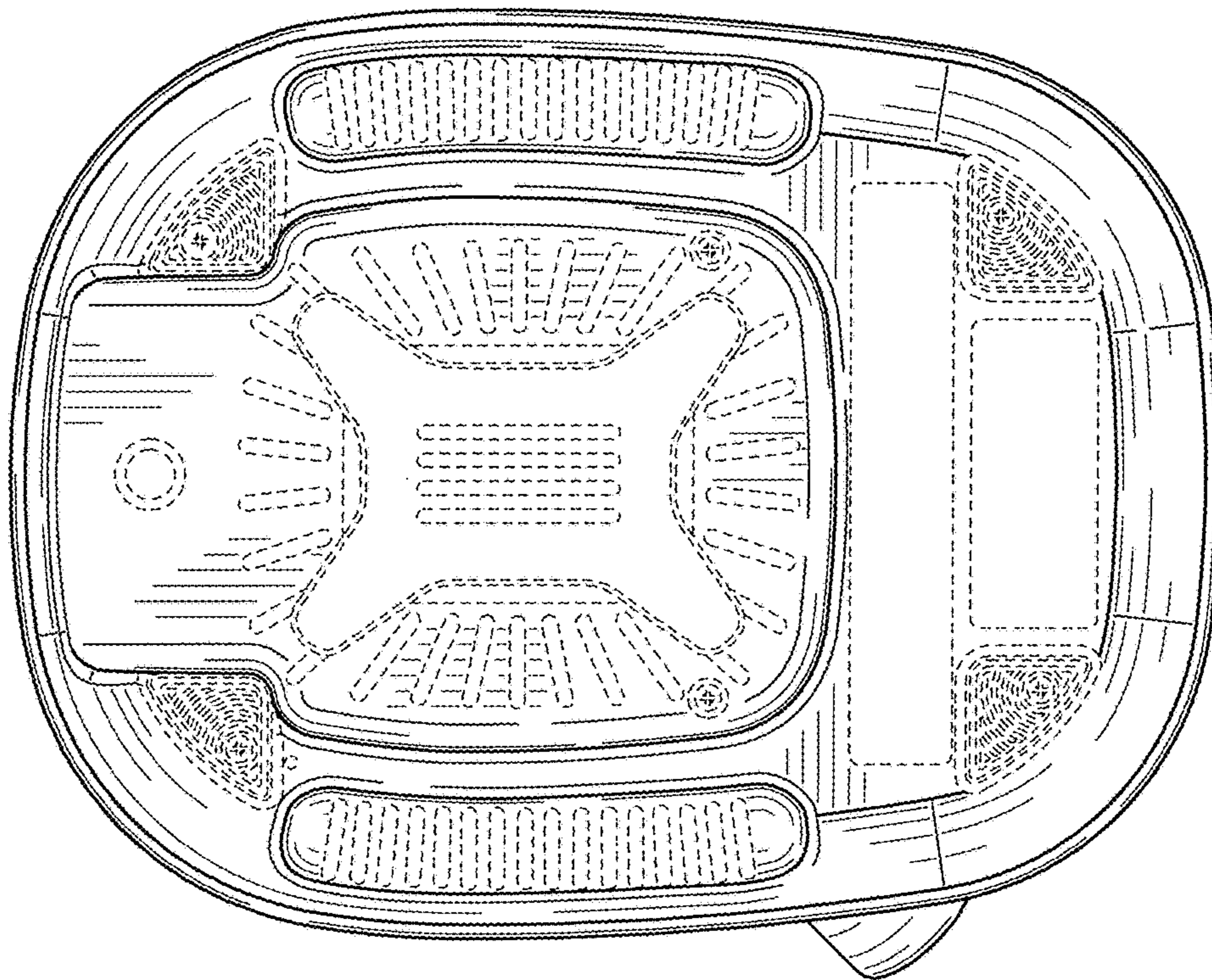


FIG. 7

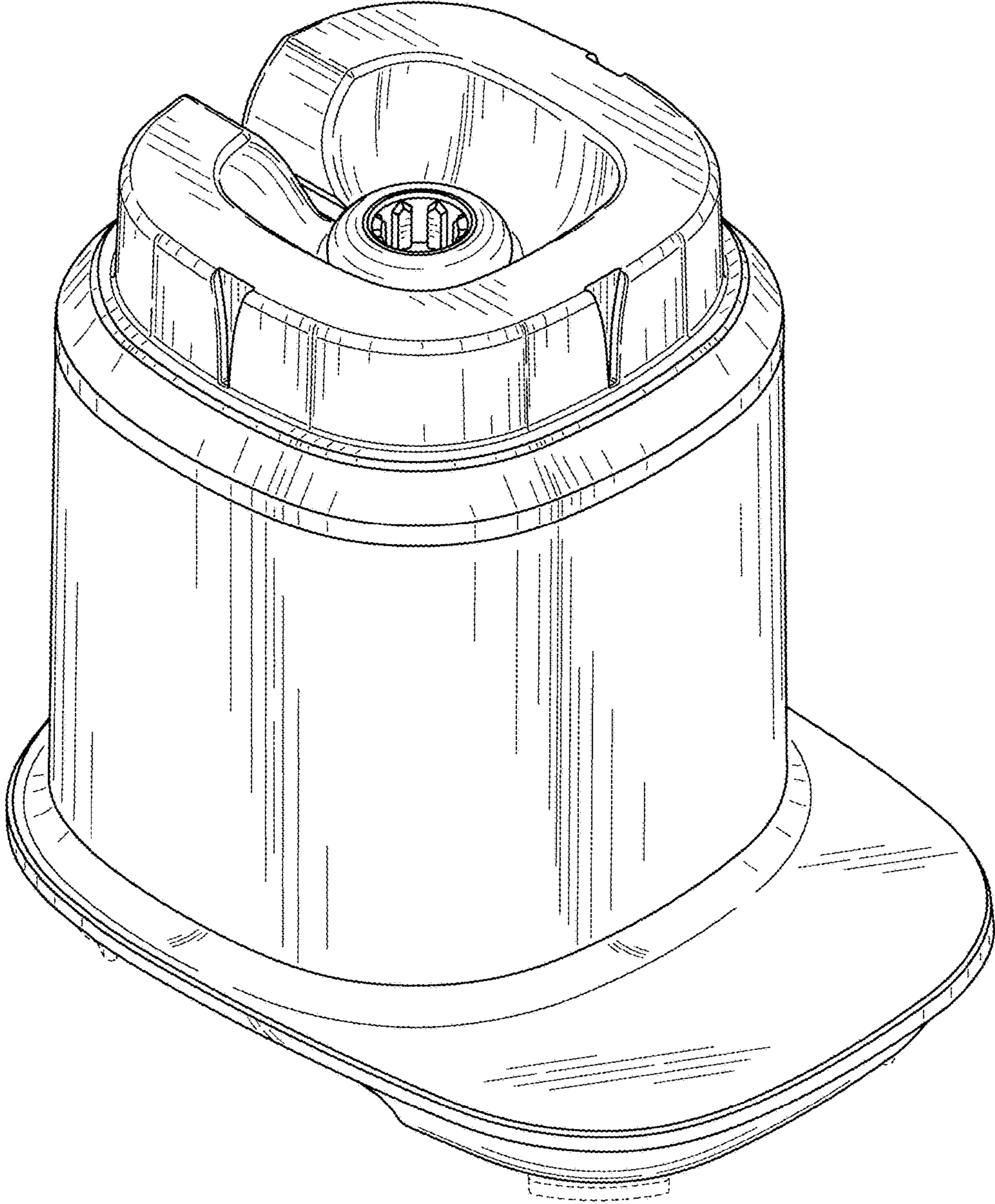


FIG. 8

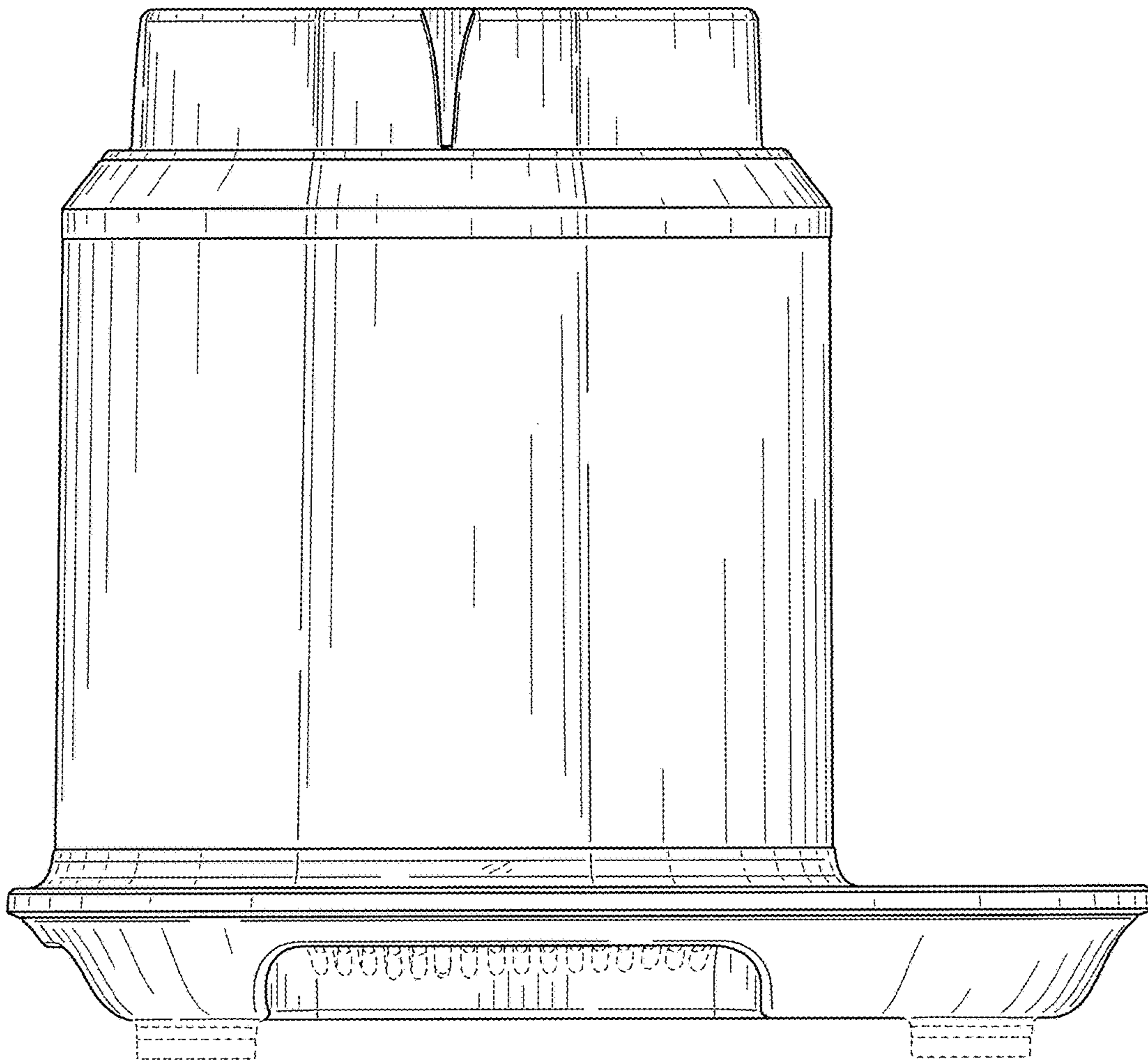


FIG. 9

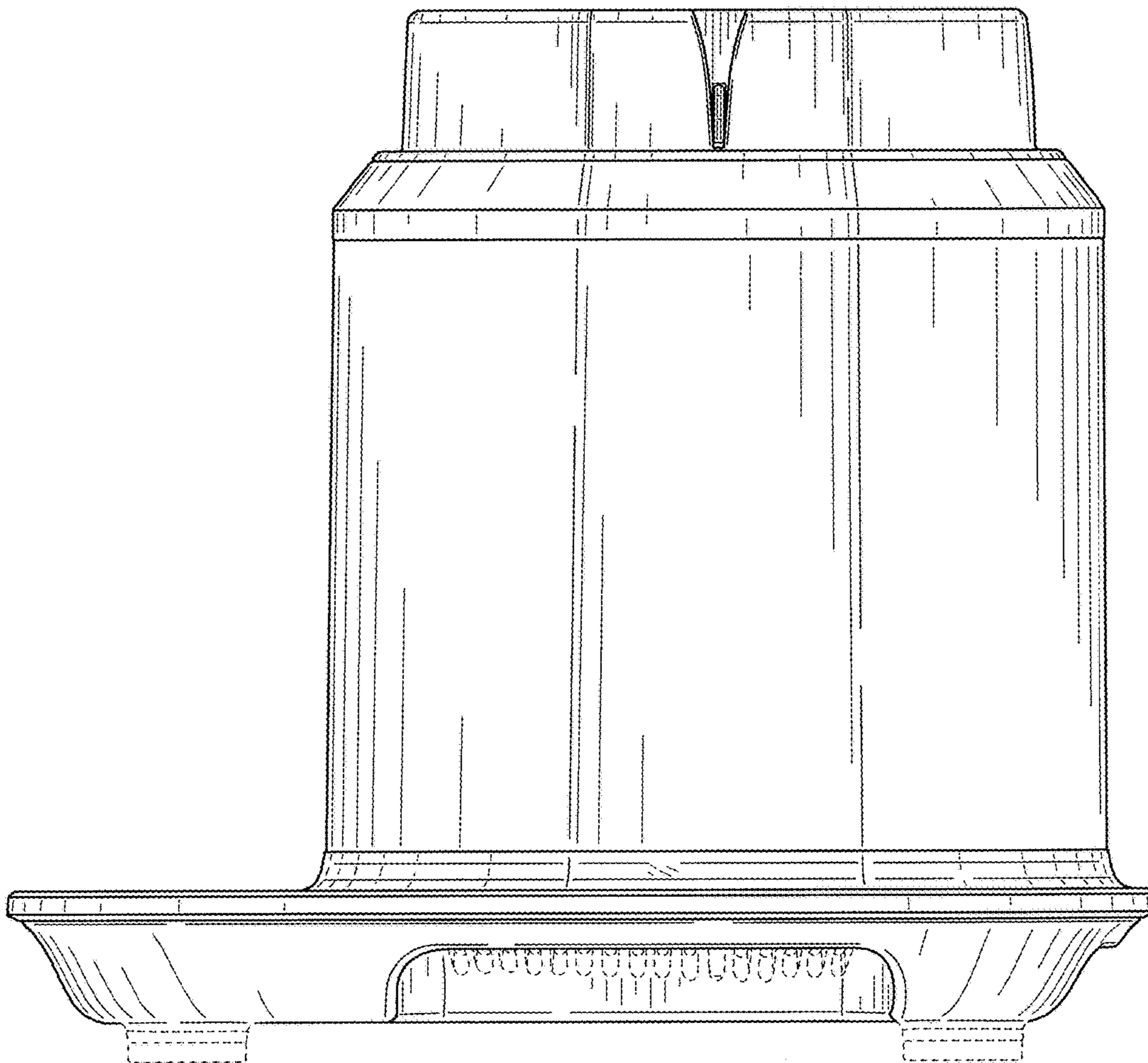


FIG. 10

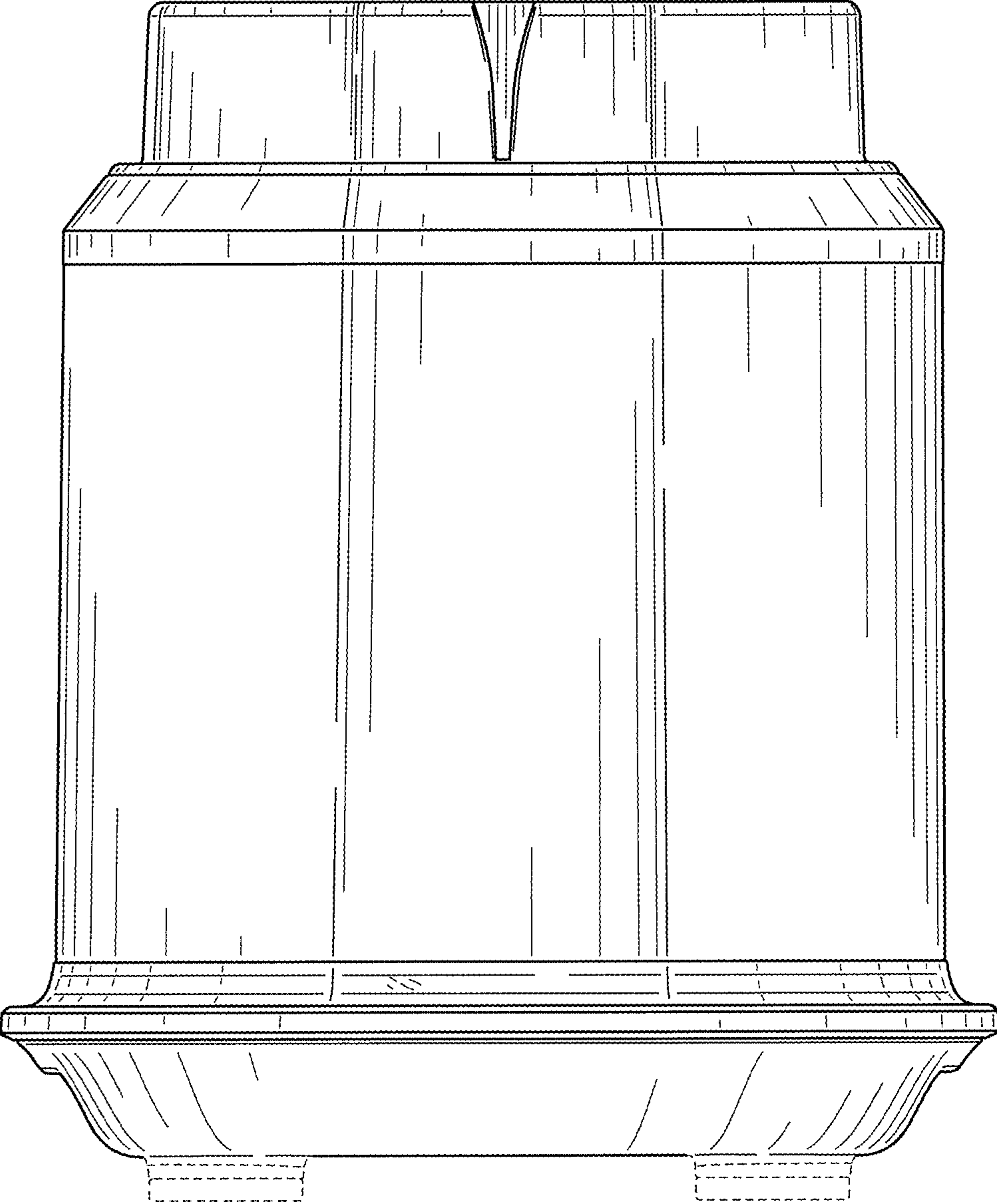


FIG. 11

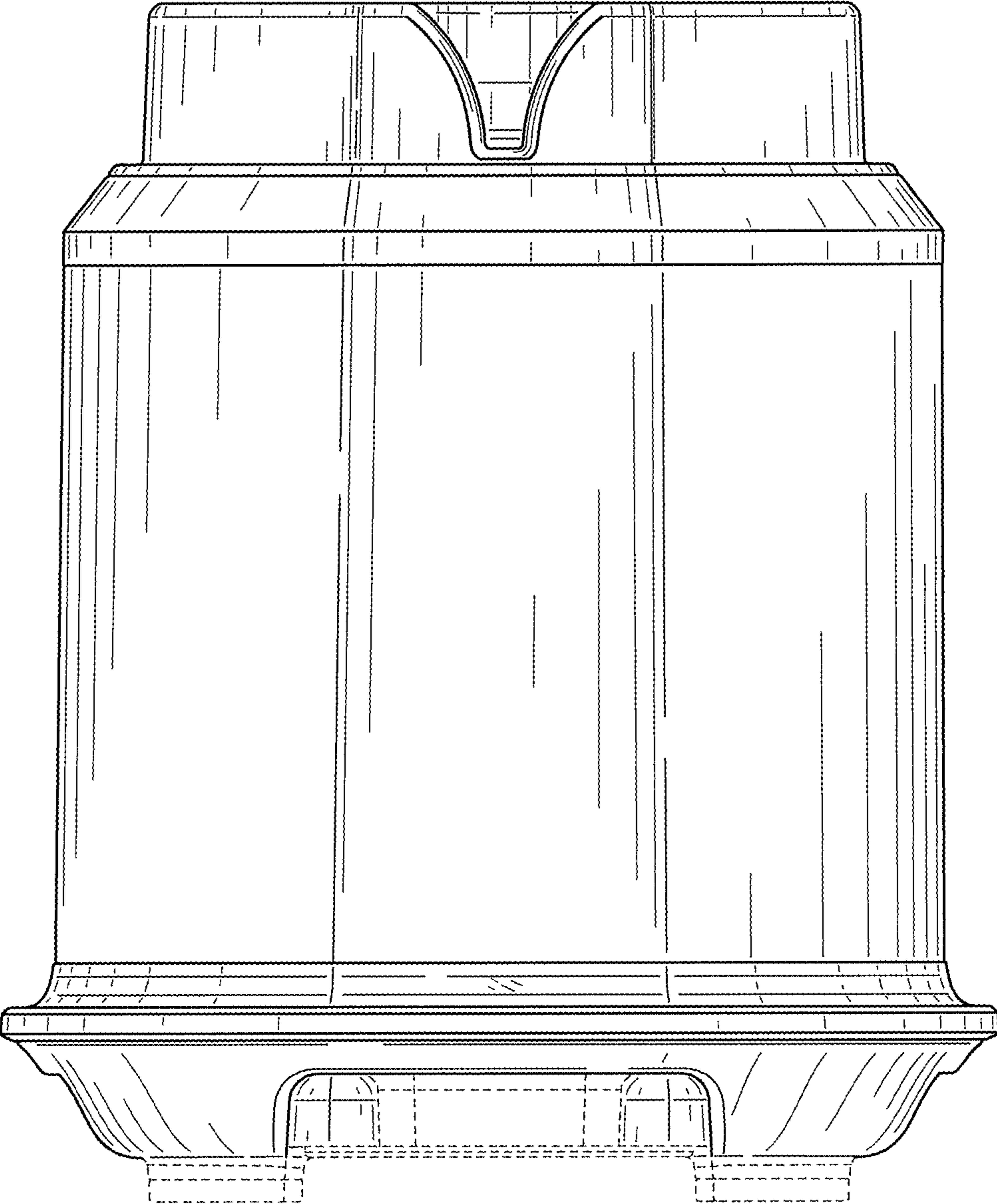


FIG. 12

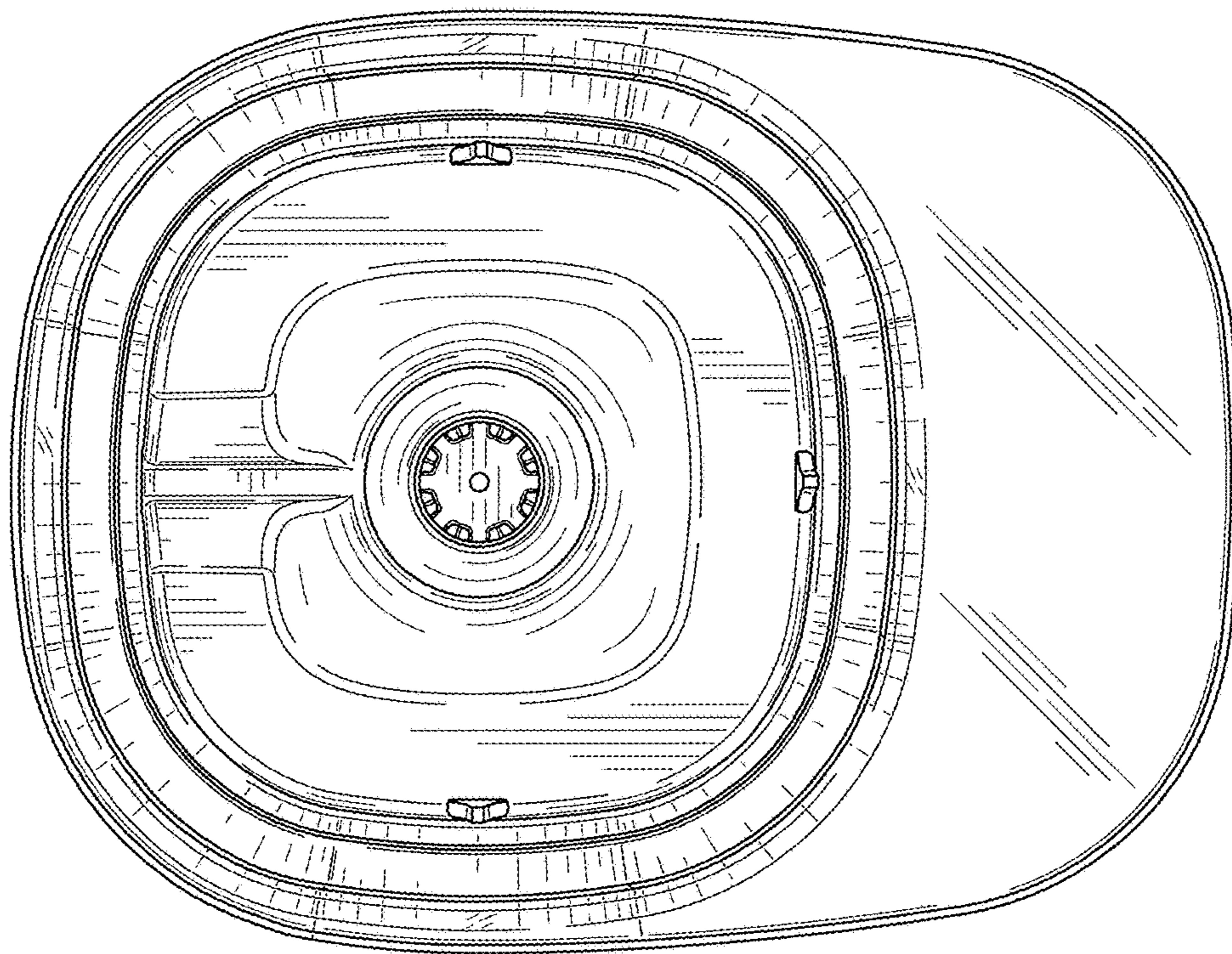


FIG. 13