



US00D798100S

(12) **United States Design Patent** (10) **Patent No.:** **US D798,100 S**
Chavez et al. (45) **Date of Patent:** **** Sep. 26, 2017**

(54) **KITCHEN RANGE**

(71) Applicants: **BSH Home Appliances Corporation**, Irvine, CA (US); **BSH Hausgeräte GmbH**, Munich (DE)

(72) Inventors: **David Chavez**, San Francisco, CA (US); **Graham Sadtler**, Huntington Beach, CA (US)

(73) Assignees: **BSH Hausgeräte GmbH**, Munich (DE); **BSH Home Appliances Corporation**, Irvine, CA (US)

(**) Term: **15 Years**

(21) Appl. No.: **29/536,194**

(22) Filed: **Aug. 14, 2015**

(51) **LOC (10) Cl.** **07-02**

(52) **U.S. Cl.**
USPC **D7/340**

(58) **Field of Classification Search**
USPC D7/323, 328–330, 339–349, 390, D7/402–406; D8/300–306
CPC ... A21B 2/00; A47J 37/00; A47J 37/06; A47J 37/0611; A47J 37/08; A47J 37/0807; A47J 37/0814; A47J 37/0835; A47J 37/0842; A47J 37/085; A47J 37/0864; A47J 37/0878; A47J 37/0885; A47J 37/0892; A47J 37/10; F24C 7/00; F24C 7/002; F24C 7/046; F24C 7/067; F24C 15/02; F24C 15/04; F24C 15/10; F24C 15/102

See application file for complete search history.

(56) **References Cited**

U.S. PATENT DOCUMENTS

D430,451 S * 9/2000 Bordet D7/340
D473,747 S * 4/2003 Seymour D7/340

D475,569 S * 6/2003 Nichols D7/340
D486,349 S * 2/2004 Nichols D7/340
D524,094 S * 7/2006 Home D7/340
D557,548 S * 12/2007 Fisher D7/340
D592,007 S * 5/2009 Corona D7/340
D615,800 S * 5/2010 Grey D7/340
D656,776 S * 4/2012 Funnell, II D7/340
D668,105 S * 10/2012 Funnell, II D7/405
D669,728 S * 10/2012 Funnell, II D7/340
D682,603 S * 5/2013 Funnell, II D7/340
9,072,403 B2 * 7/2015 Braden A47J 37/10

* cited by examiner

Primary Examiner — Ricky Pham

(74) *Attorney, Agent, or Firm* — Michael E. Tschupp; Andre Pallapies; Brandon G. Braun

(57) **CLAIM**

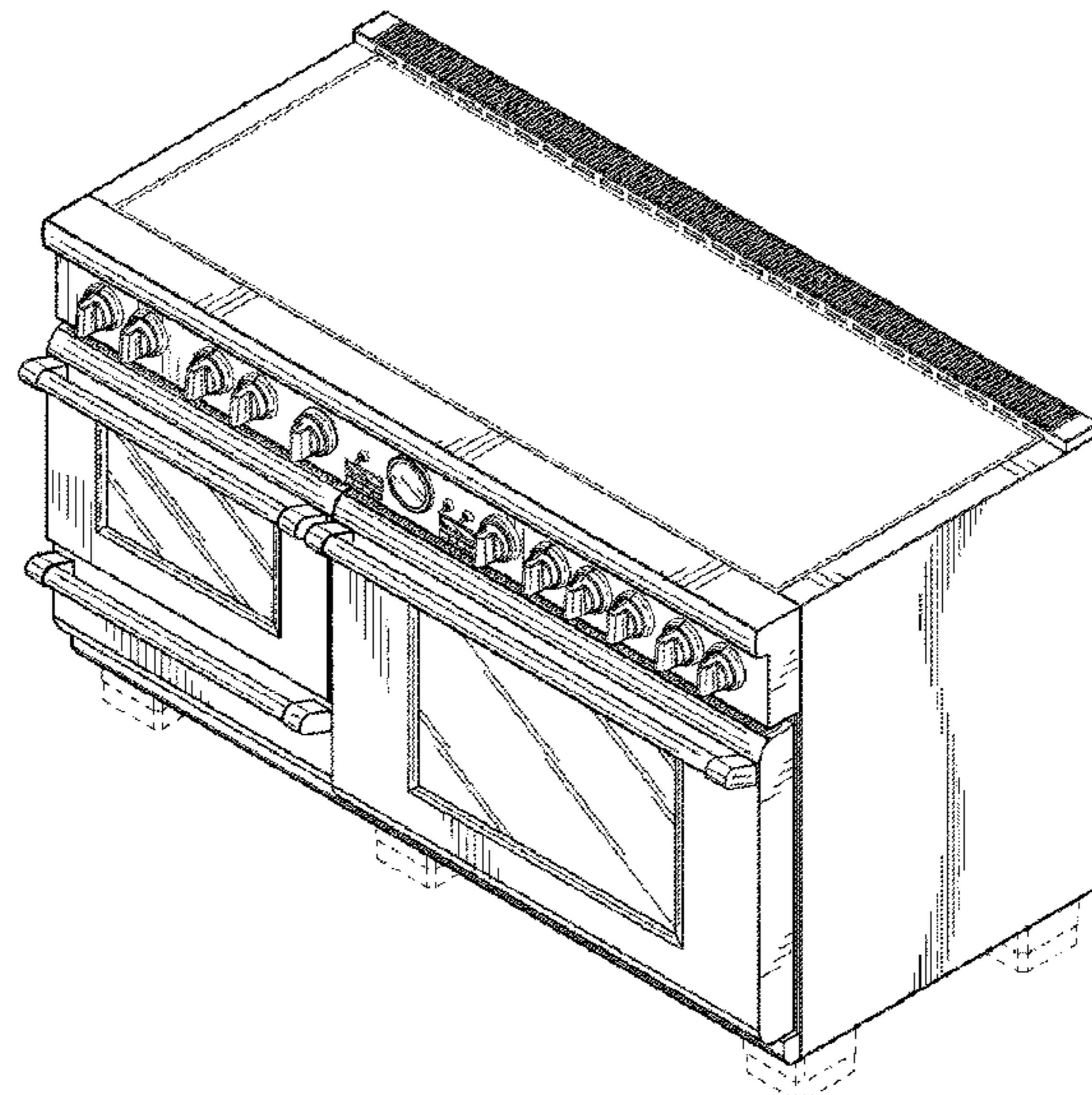
The ornamental design for a kitchen range, as shown and described.

DESCRIPTION

FIG. 1 is a perspective view of a kitchen range showing an embodiment of our new ornamental design;
FIG. 2 is a front view thereof;
FIG. 3 is a top view thereof;
FIG. 4 is a left side view thereof;
FIG. 5 is a right side view thereof;
FIG. 6 is a perspective view of a kitchen range showing an embodiment of our new ornamental design;
FIG. 7 is a front view thereof;
FIG. 8 is a top view thereof;
FIG. 9 is a left side view thereof; and,
FIG. 10 is a right side view thereof.

The broken lines represent environment or structure and do not form a portion of the claimed design.
The bottom and rear of the kitchen range do not form a part of the claimed design.

1 Claim, 8 Drawing Sheets



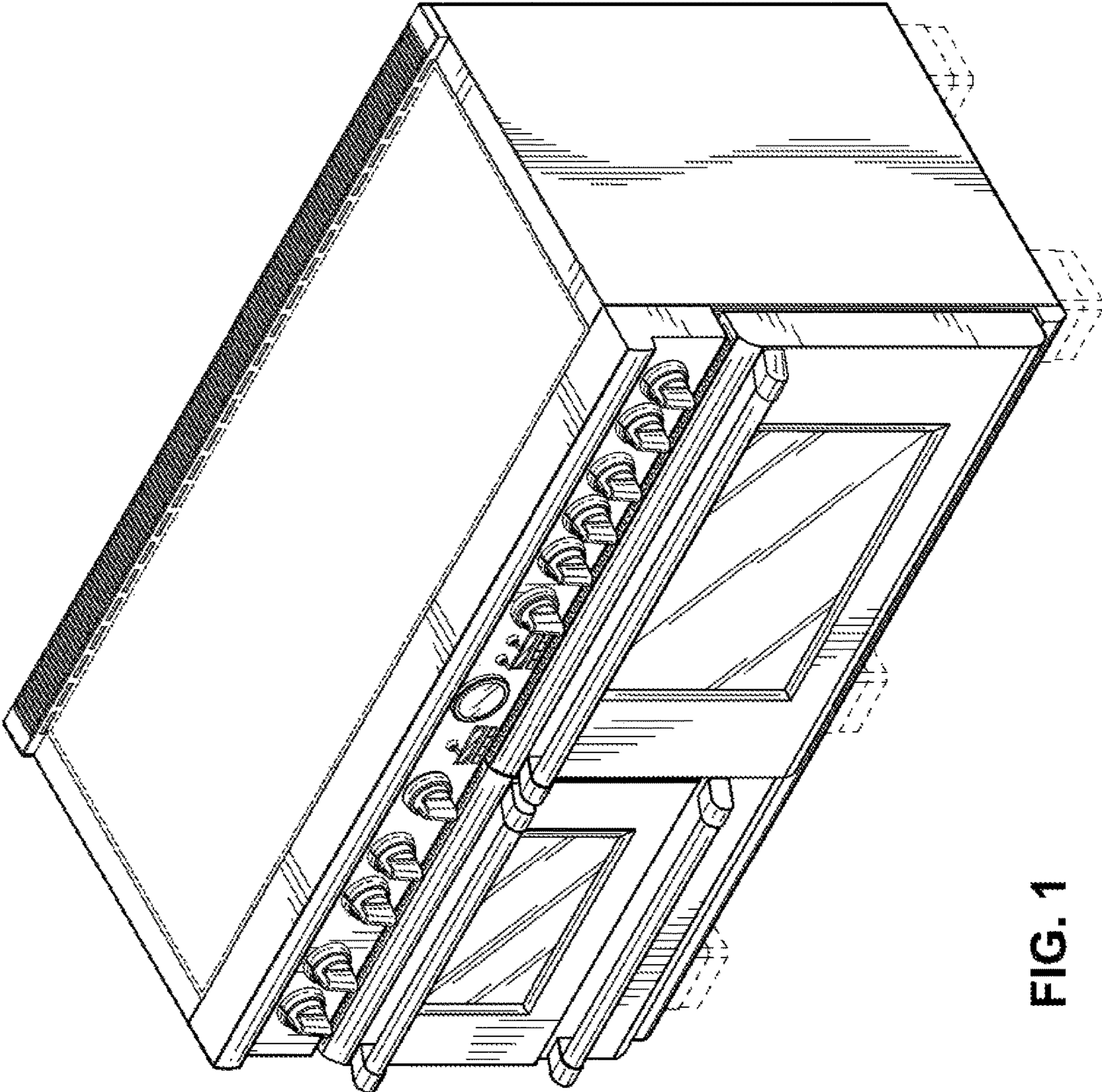


FIG. 1

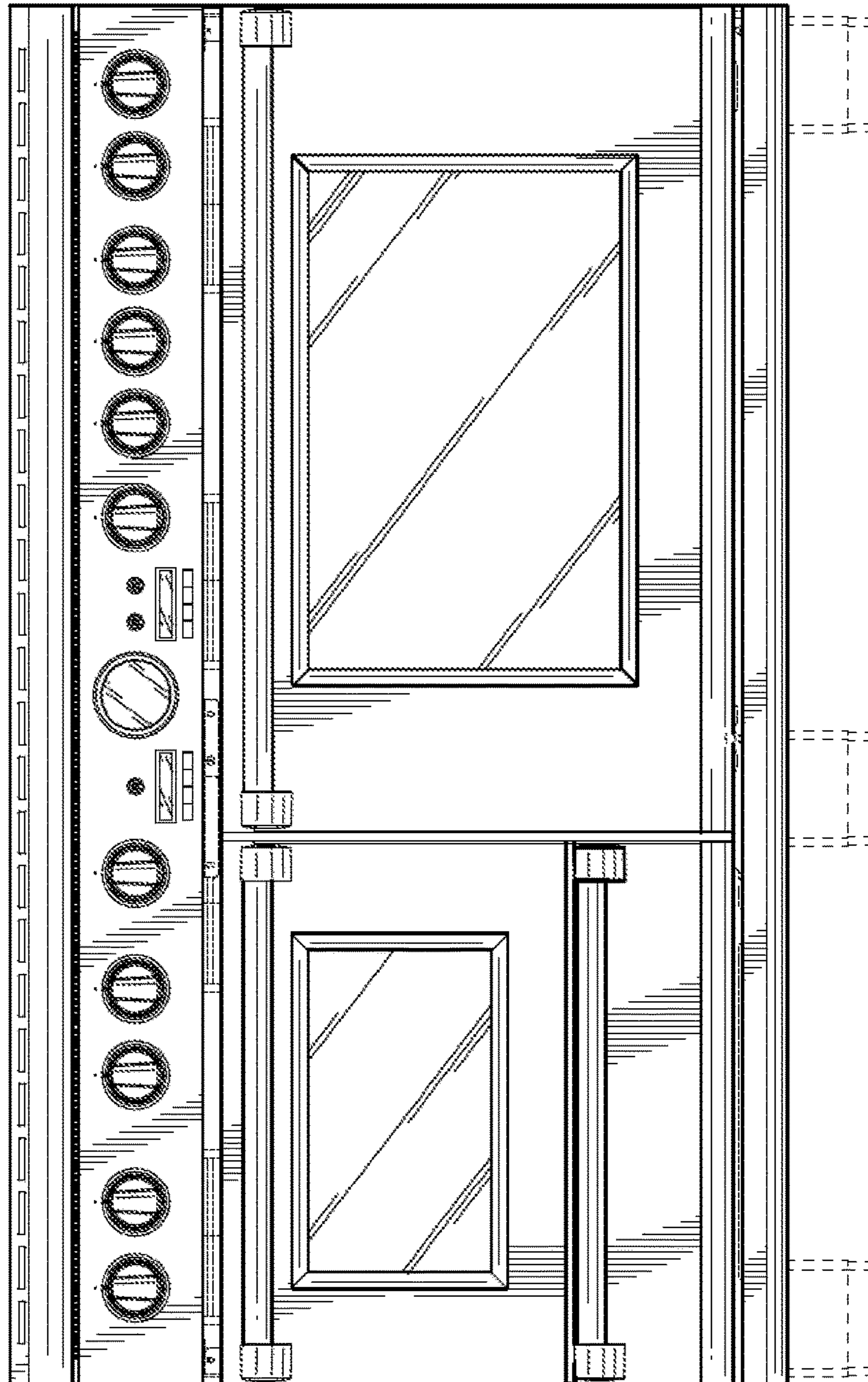


FIG. 2

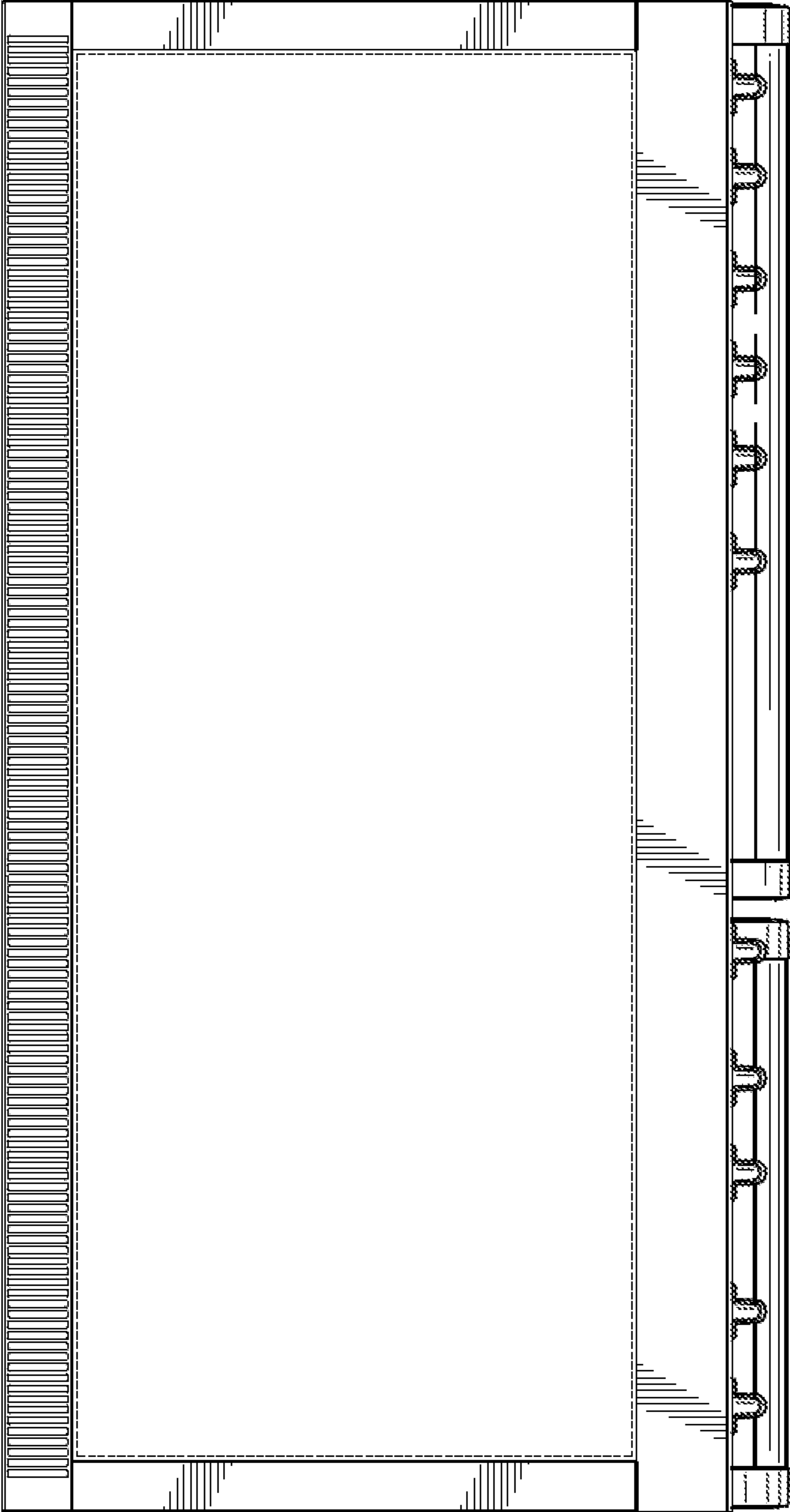


FIG. 3

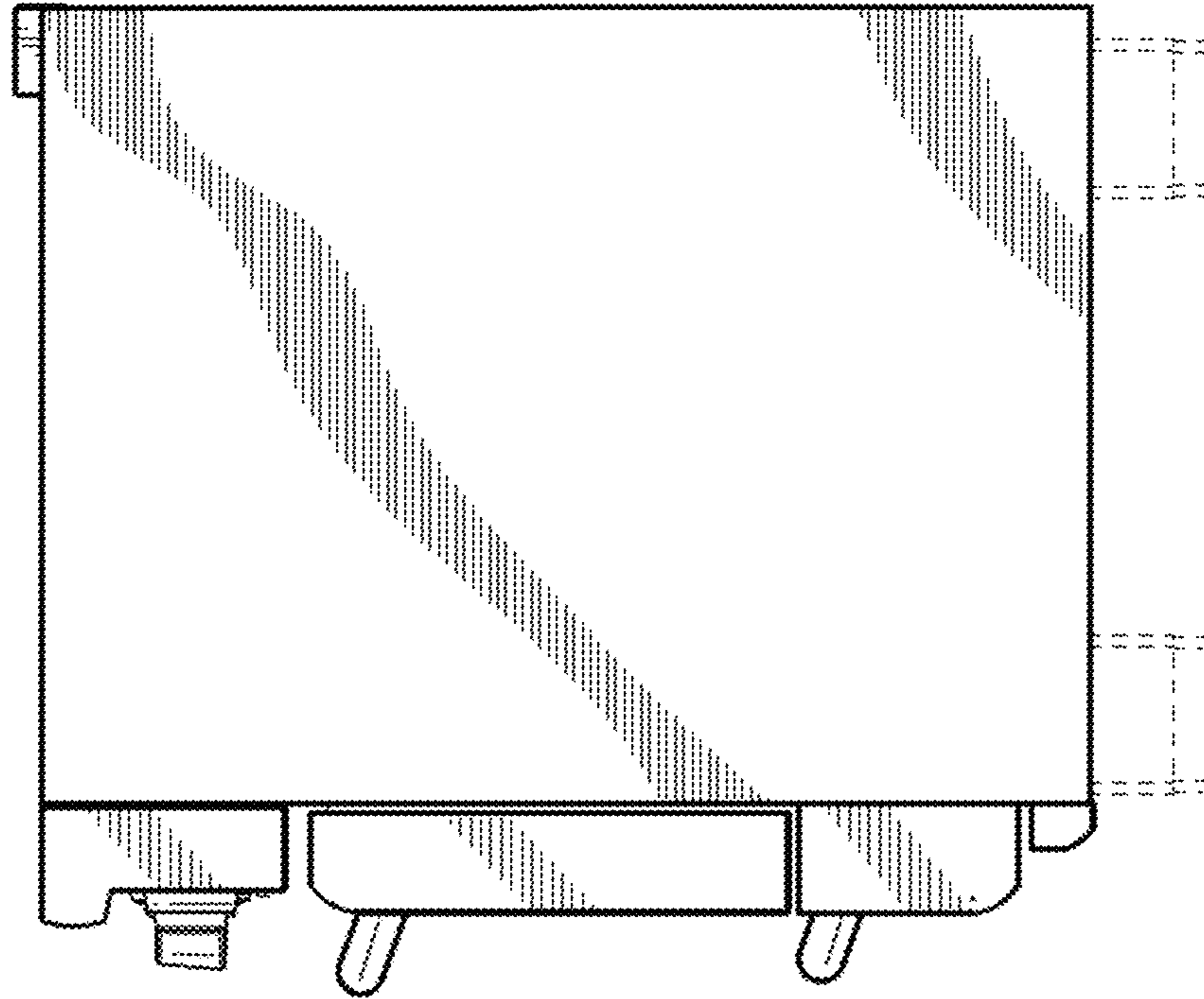


FIG. 5

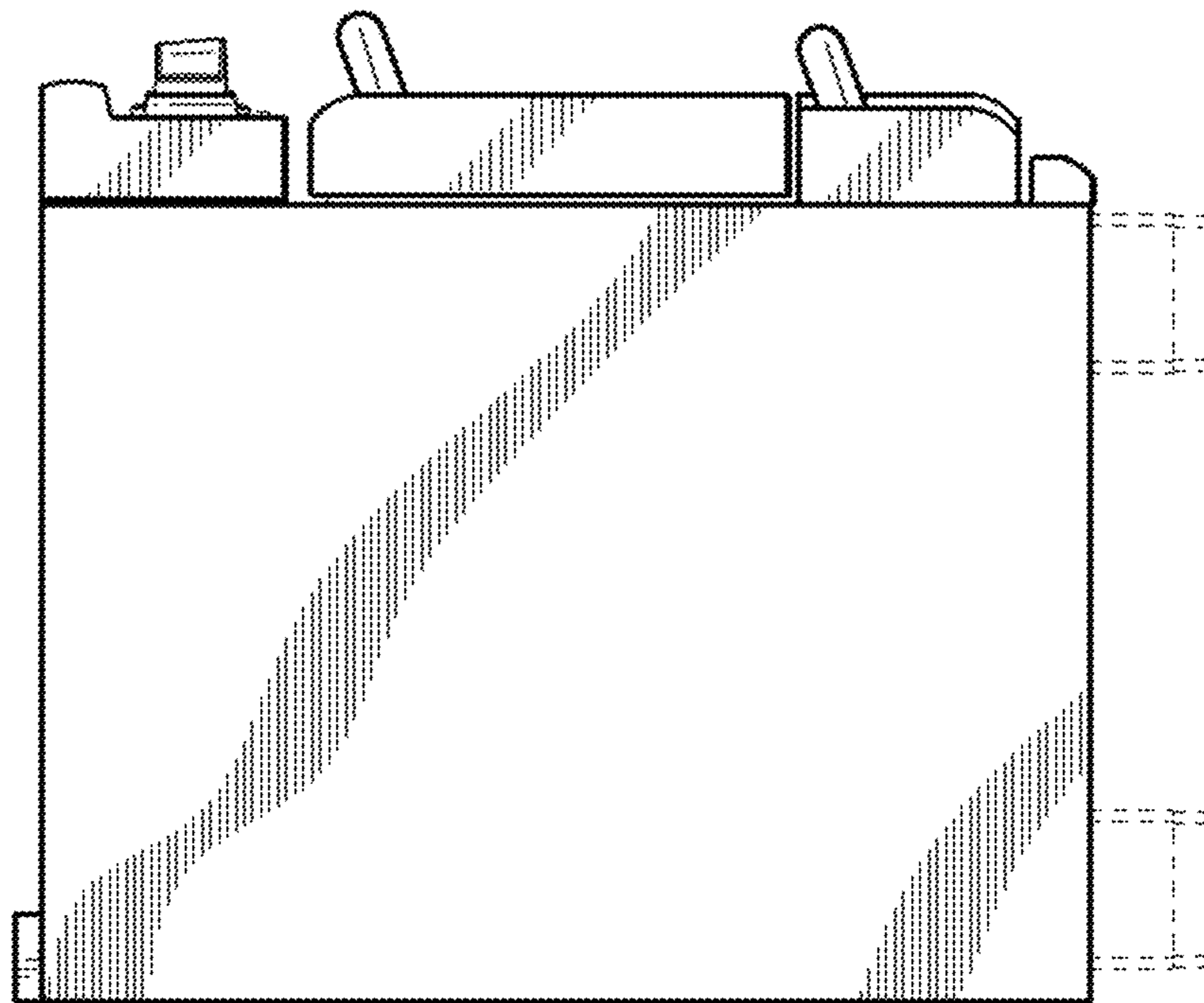


FIG. 4

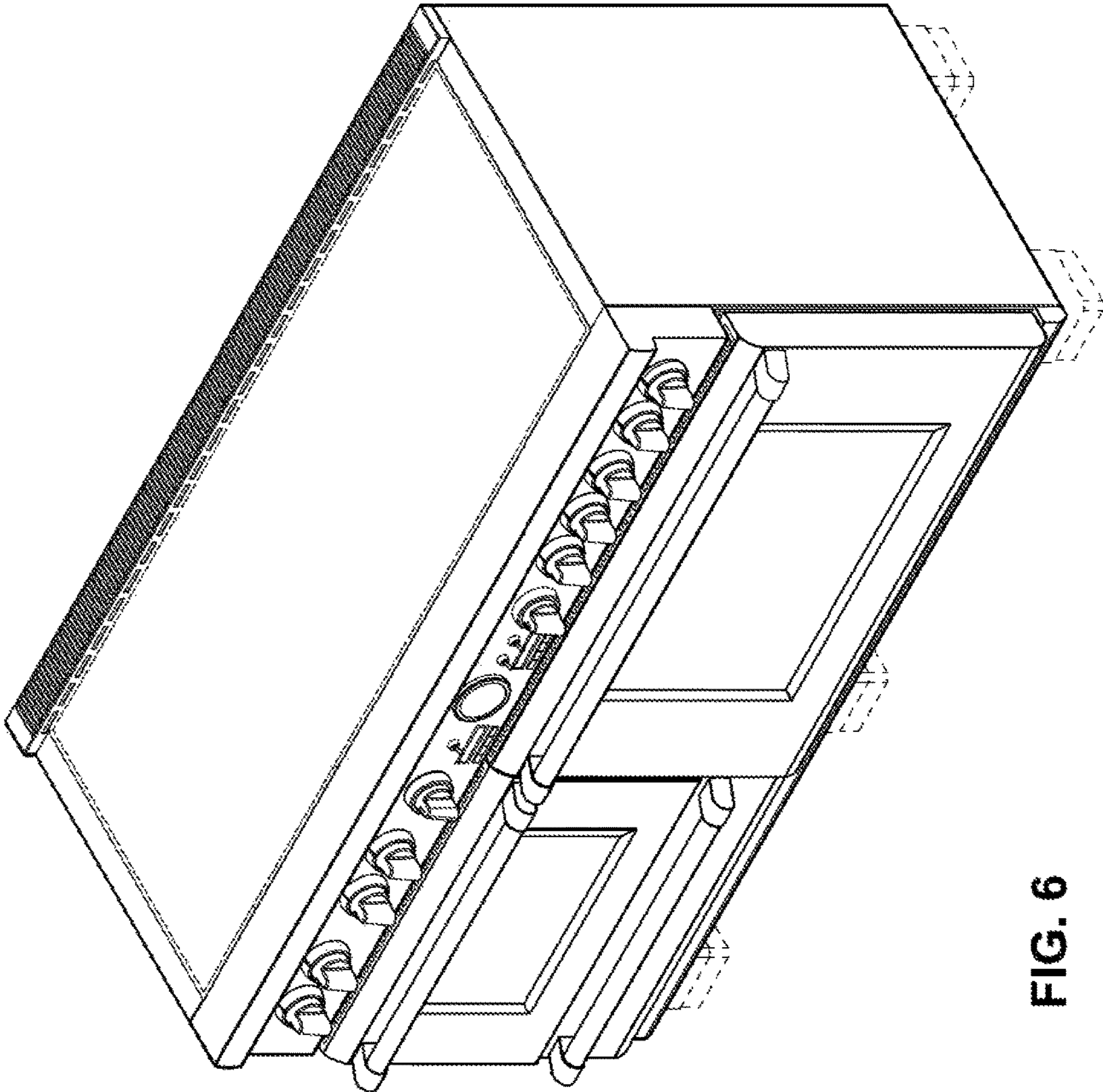


FIG. 6

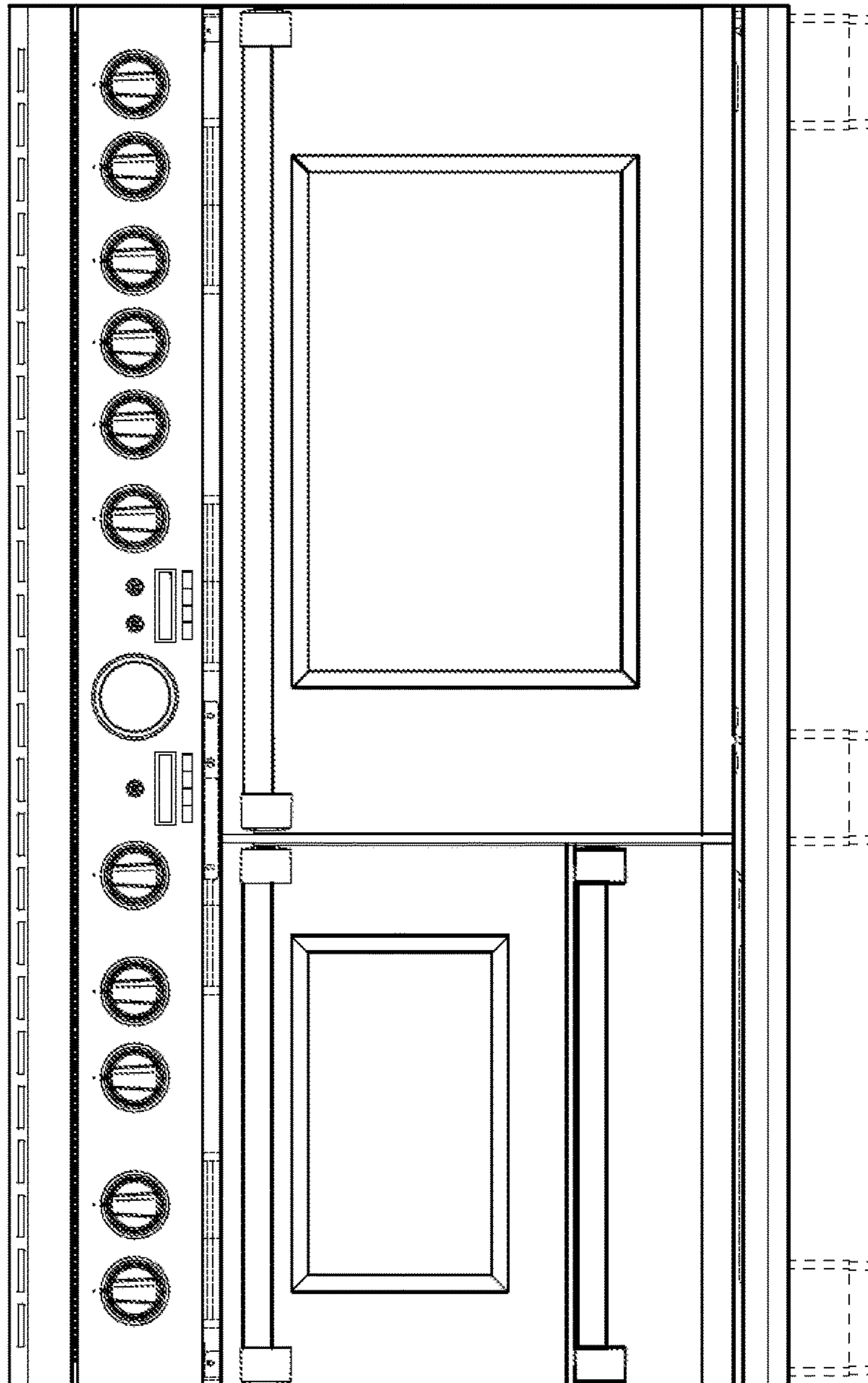


FIG. 7

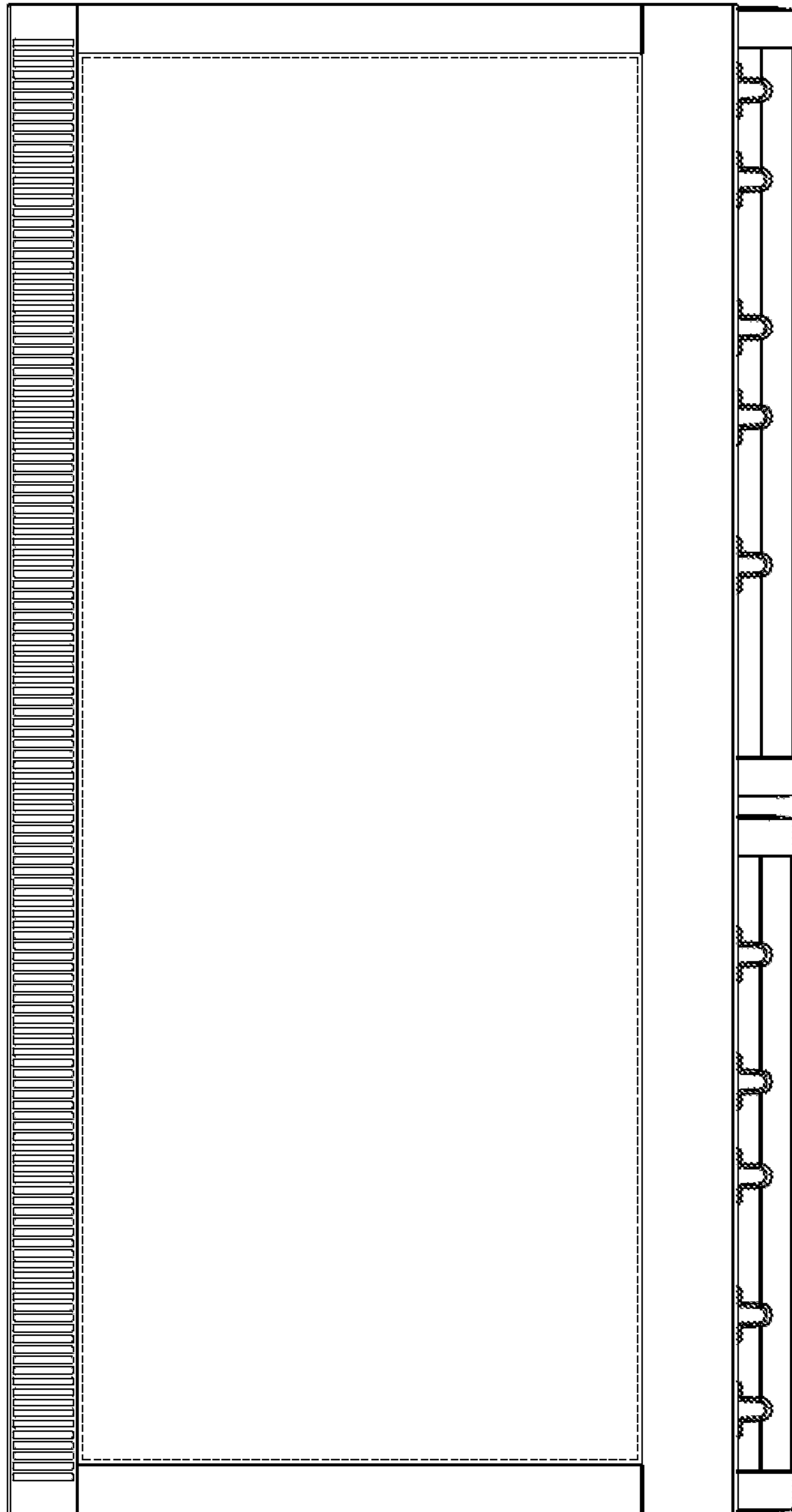


FIG. 8

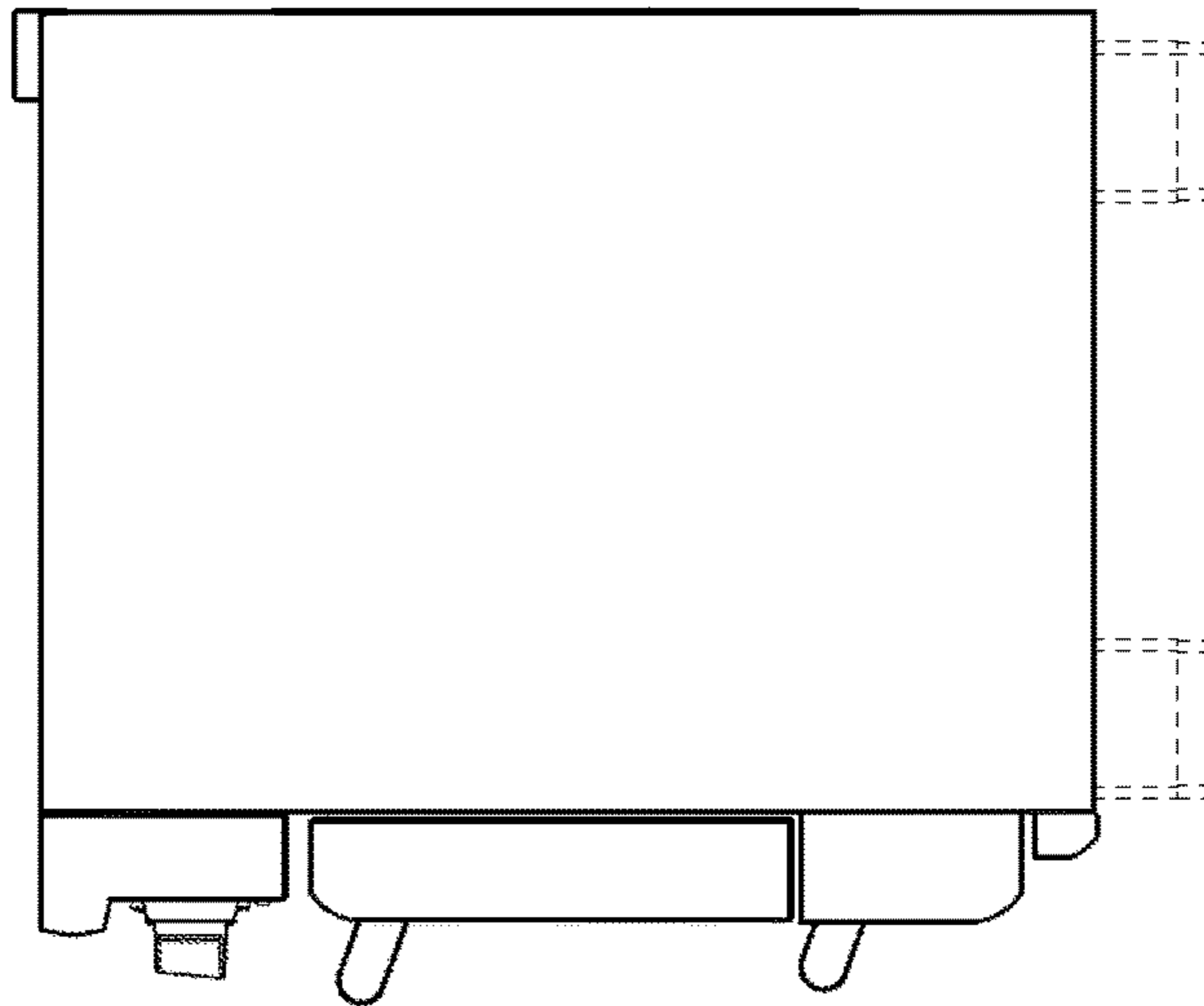


FIG. 10

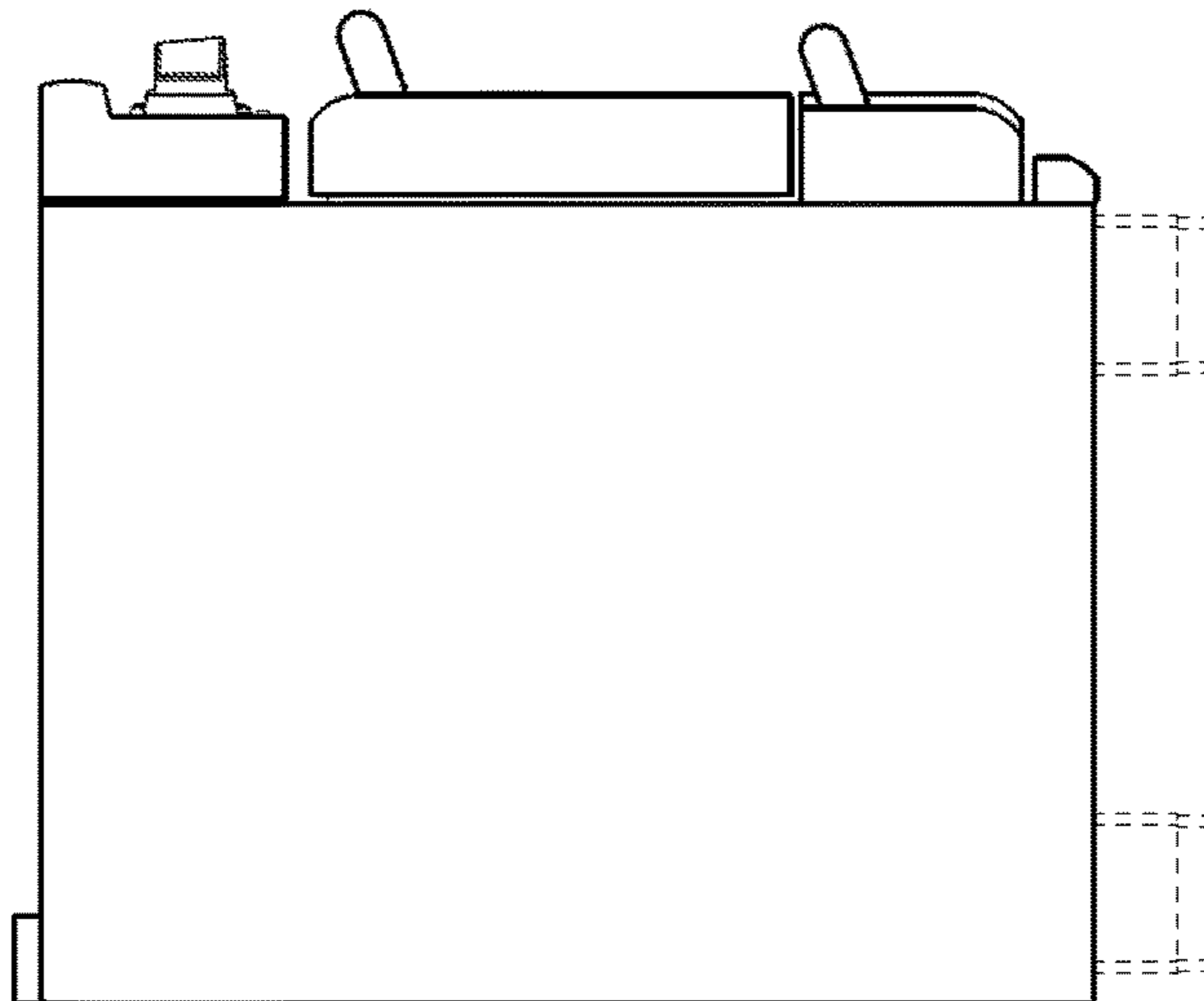


FIG. 9