



US00D798099S

(12) **United States Design Patent** (10) **Patent No.:** **US D798,099 S**  
**Goossens** (45) **Date of Patent:** **\*\* Sep. 26, 2017**

(54) **BRAZIER**  
(71) Applicant: **Ofyr B.V.**, Laren (NL)  
(72) Inventor: **Hans Robert Goossens**, Laren (NL)  
(73) Assignee: **Creative Outdoor Products B.V.**,  
Roosendaal (NL)

D379,900 S \* 6/1997 Gillam ..... D7/332  
D389,009 S \* 1/1998 Baykal ..... D7/335  
5,775,315 A \* 7/1998 Baykal ..... A47J 37/0781  
126/25 R  
D445,296 S \* 7/2001 Kenyon ..... D7/332  
D590,201 S \* 4/2009 Zagar ..... D7/335  
D742,490 S \* 11/2015 Jepson ..... D23/343

(\*\*) Term: **14 Years**

FOREIGN PATENT DOCUMENTS  
EP 2 143 362 B1 9/2011  
EP 2 581 003 B1 1/2015

(21) Appl. No.: **29/526,462**

(22) Filed: **May 8, 2015**

(30) **Foreign Application Priority Data**

Nov. 18, 2014 (EM) ..... 002580431-0001

(51) **LOC (10) Cl.** ..... **07-02**

(52) **U.S. Cl.**  
USPC ..... **D7/332; D7/335**

(58) **Field of Classification Search**  
USPC ..... D7/332-337, 402, 323, 327, 339-341,  
D7/403, 347, 348; D34/12, 17, 19, 20;  
D23/286, 343, 345, 348

CPC ..... A47J 37/0704; A47J 37/0786; A47J  
37/0763; A47J 37/0713; A47J 37/0781;  
A47J 2037/0777; A47J 33/00; F24C 3/14;  
F24C 7/10; F24C 15/18; F24C 15/12;  
F24B 1/207

See application file for complete search history.

(56) **References Cited**

**U.S. PATENT DOCUMENTS**

2,094,915 A \* 10/1937 Dawson ..... A47J 37/0781  
108/25  
3,777,735 A \* 12/1973 Miller ..... F24B 1/181  
126/519  
D286,002 S \* 10/1986 Brix ..... D7/332  
5,168,796 A \* 12/1992 Porton ..... A47J 37/0781  
108/50.13

**OTHER PUBLICATIONS**

Feuerring GmbH, "Feuerring—Healthy Grilling with Swiss Grill Art", retrieved from the Internet on Jun. 12, 2015 from: <http://www.feuerring.ch/en/>, 7 pages, (Mar. 1, 2013).

(Continued)

*Primary Examiner* — Susan Bennett Hattan

*Assistant Examiner* — Brett Miller

(74) *Attorney, Agent, or Firm* — Blakely, Sokoloff, Taylor & Zafman LLP

(57) **CLAIM**

The ornamental design for a brazier, as shown and described.

**DESCRIPTION**

FIG. 1 is a perspective view of a brazier, showing my new design;

FIG. 2 is a top view thereof;

FIG. 3 is a bottom view thereof;

FIG. 4 is a left side view thereof;

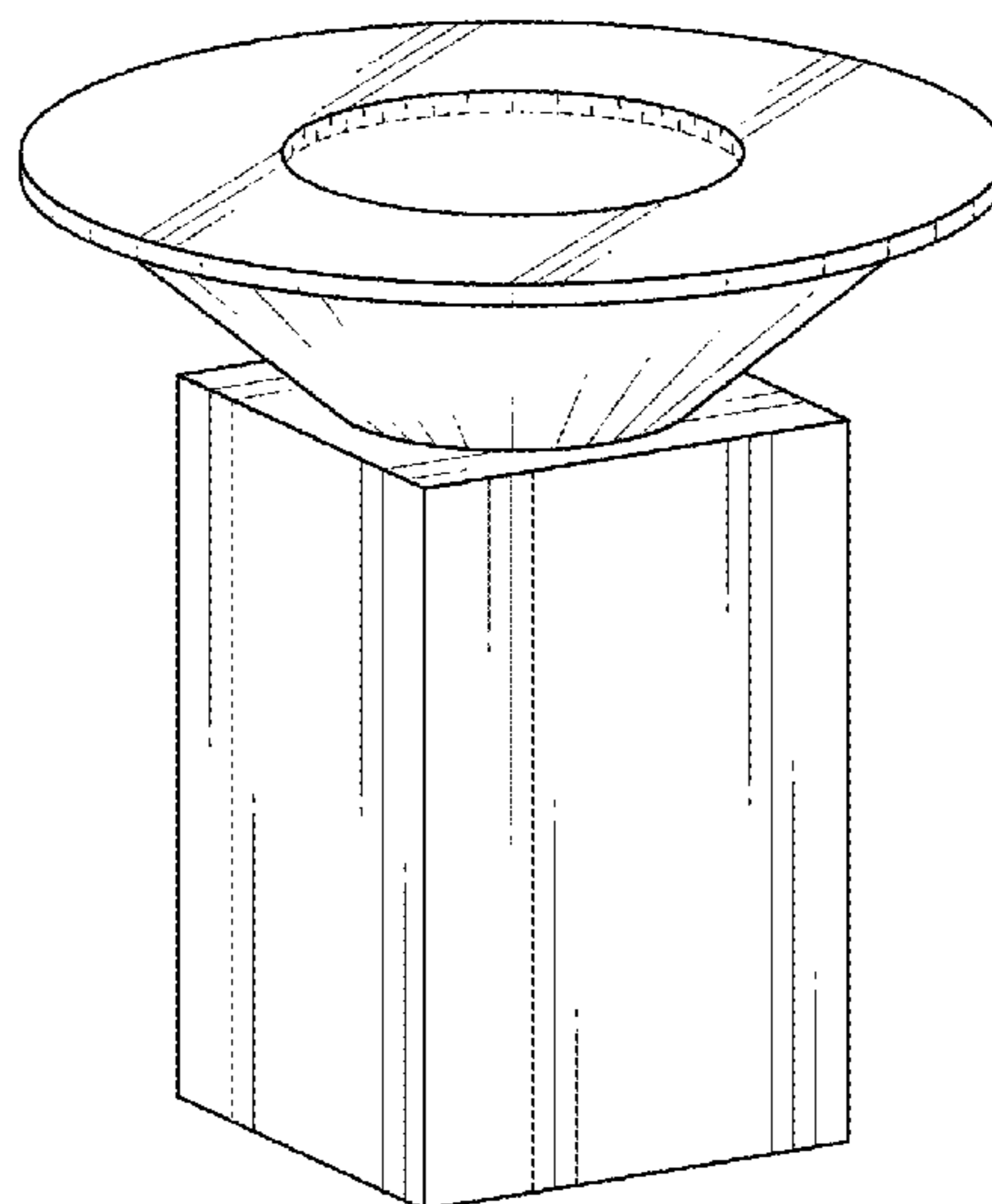
FIG. 5 is a right side view thereof;

FIG. 6 is a front view thereof; and,

FIG. 7 is a back view thereof.

The broken lines depict unclaimed portions of the brazier and form no part of the claimed design.

**1 Claim, 7 Drawing Sheets**



(56)

**References Cited**

OTHER PUBLICATIONS

Feuerring GmbH, "Feuerring—Firebowl, Fireplace and Accessories", retrieved from the Internet on Feb. 25, 2015 from: <http://www.feuerring.ch/en/products>, 5 pages, (prior to Nov. 18, 2014).

\* cited by examiner

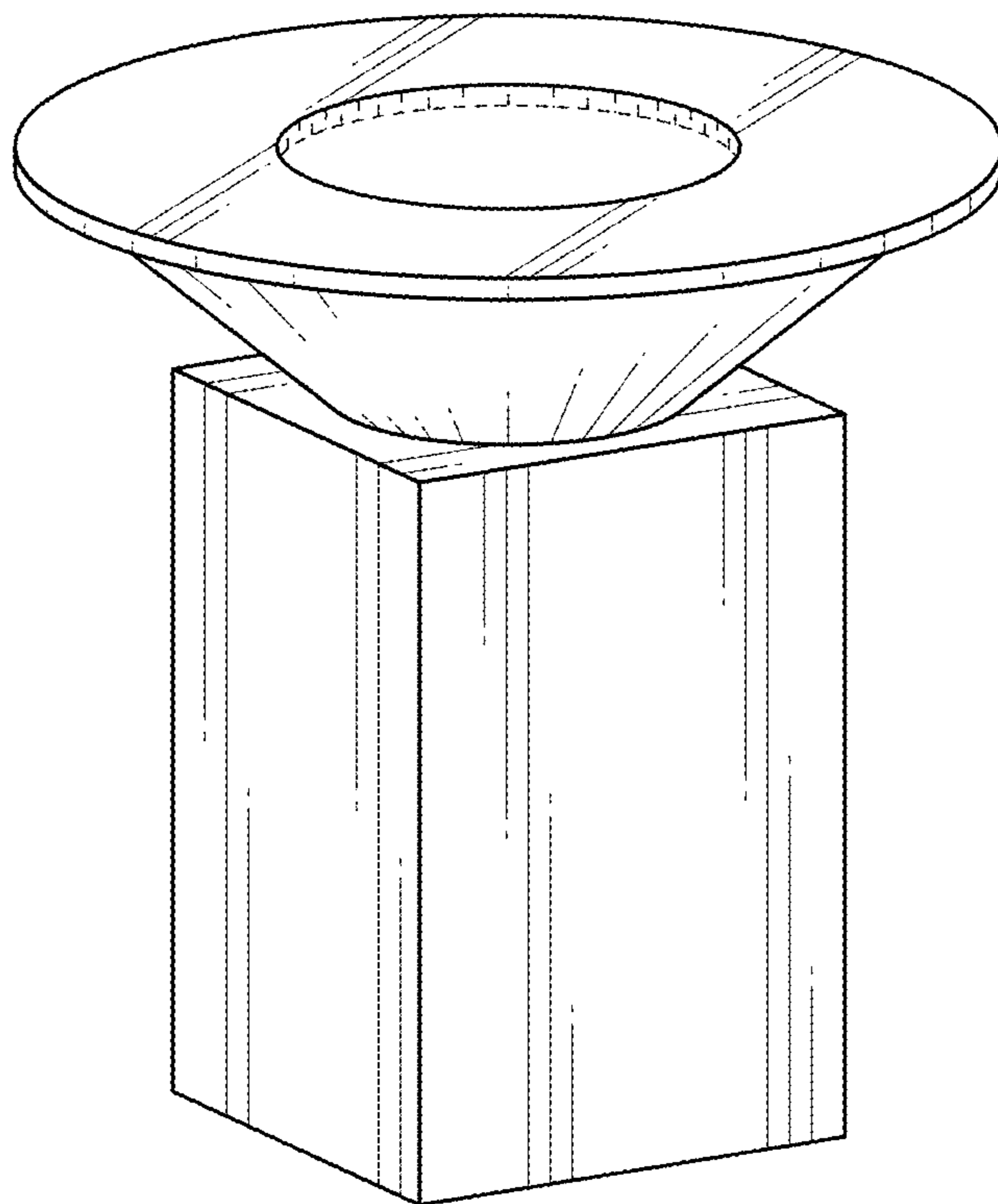


FIG. 1

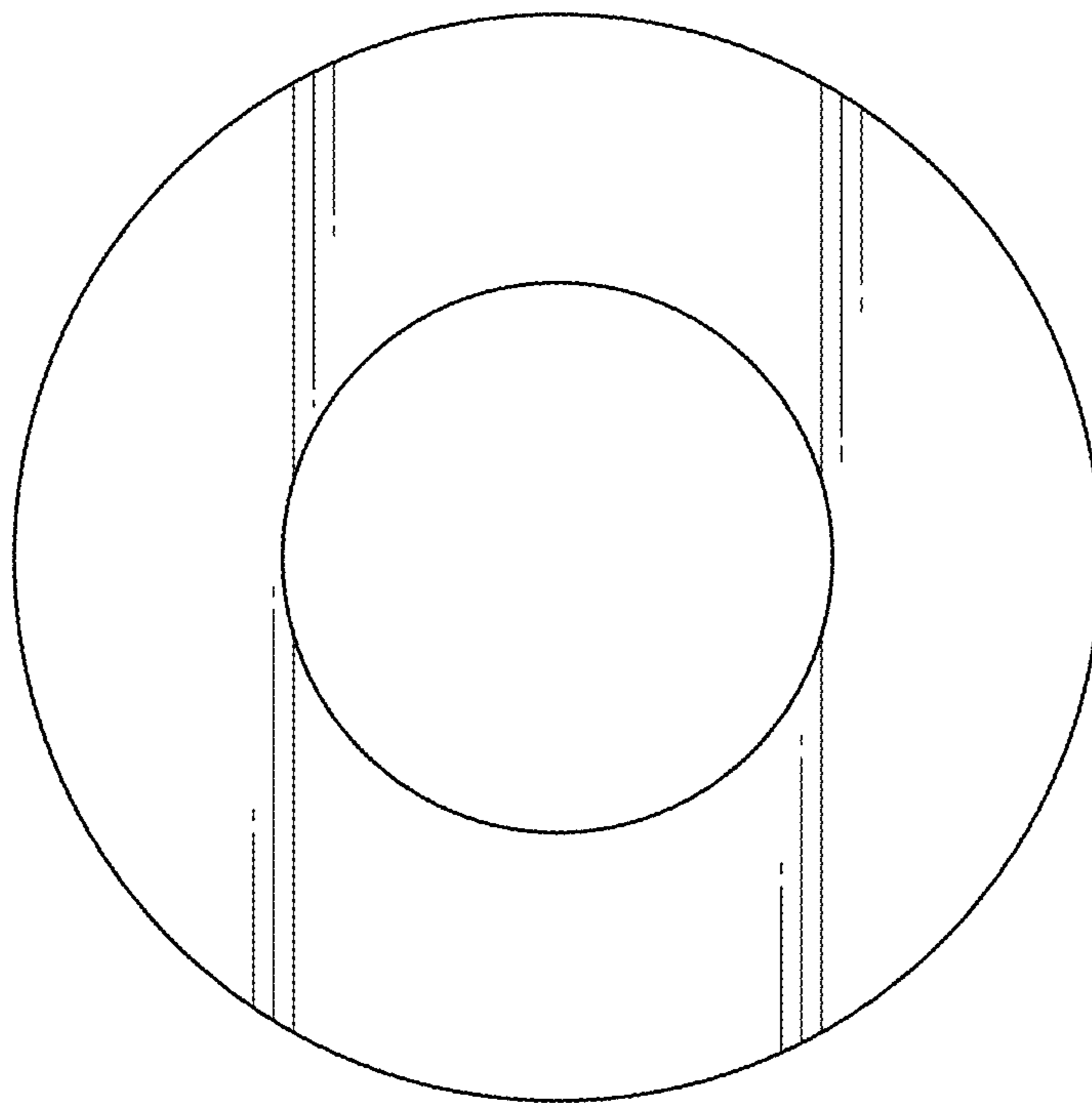


FIG. 2

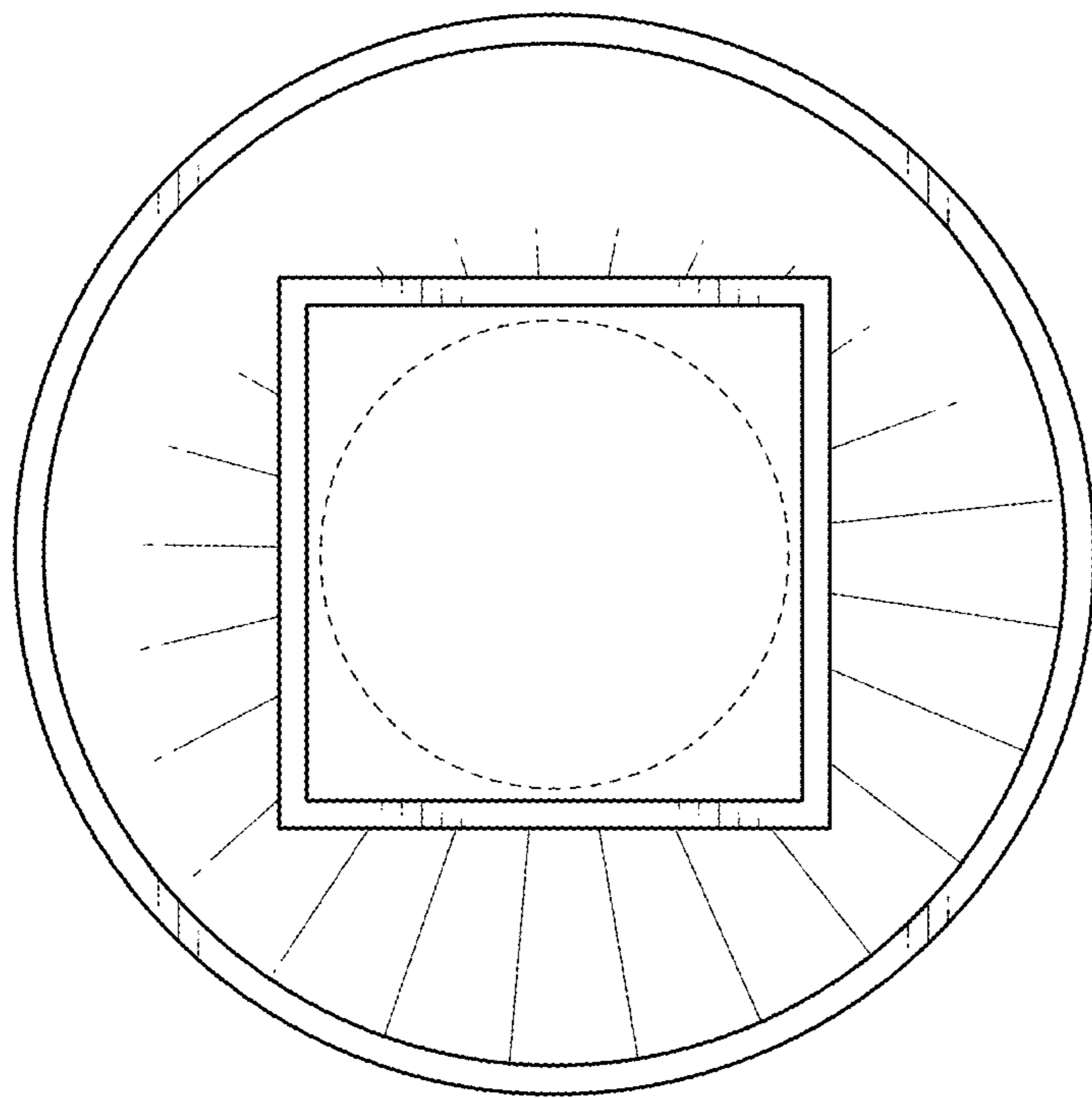


FIG. 3

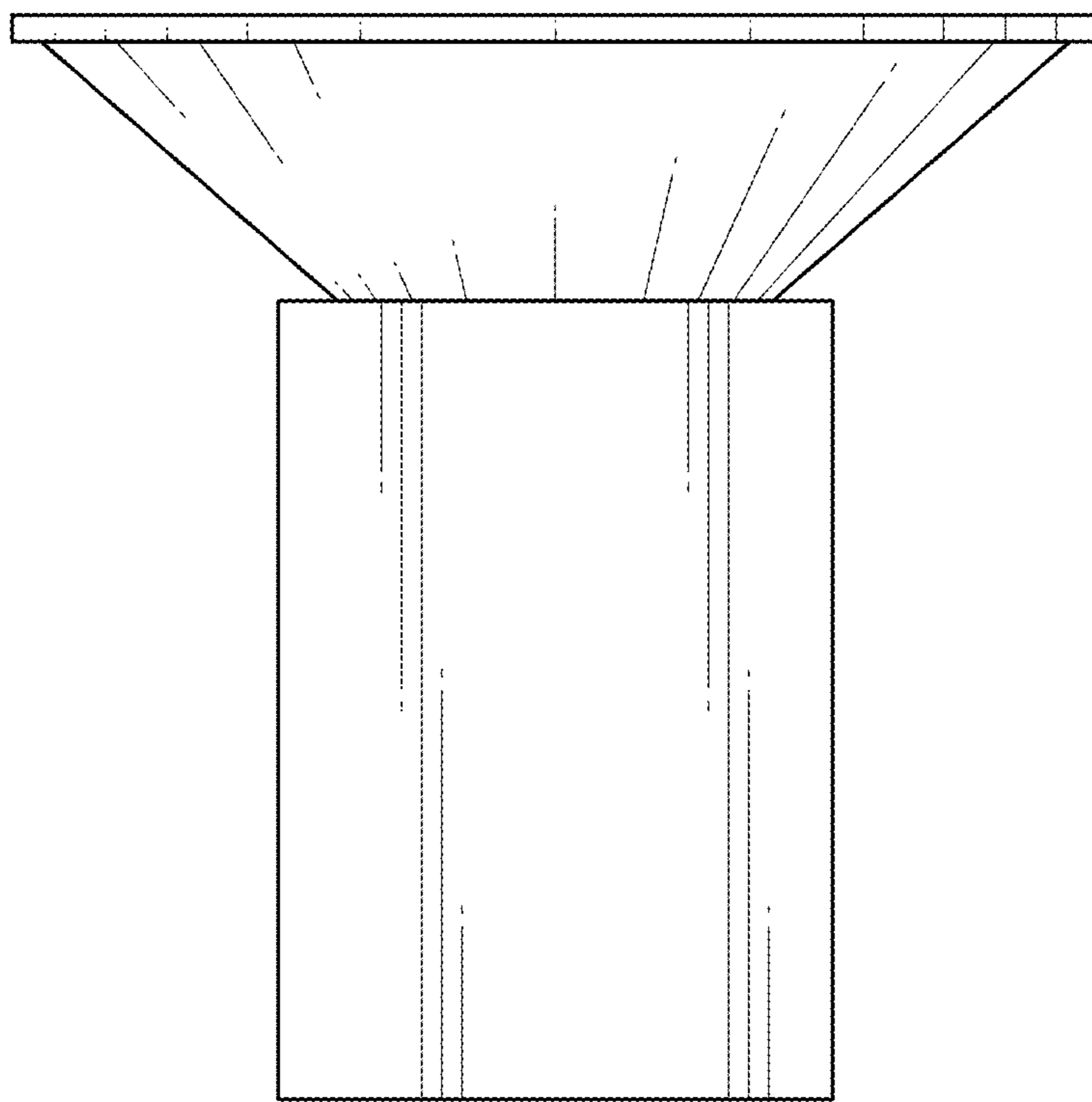


FIG. 4

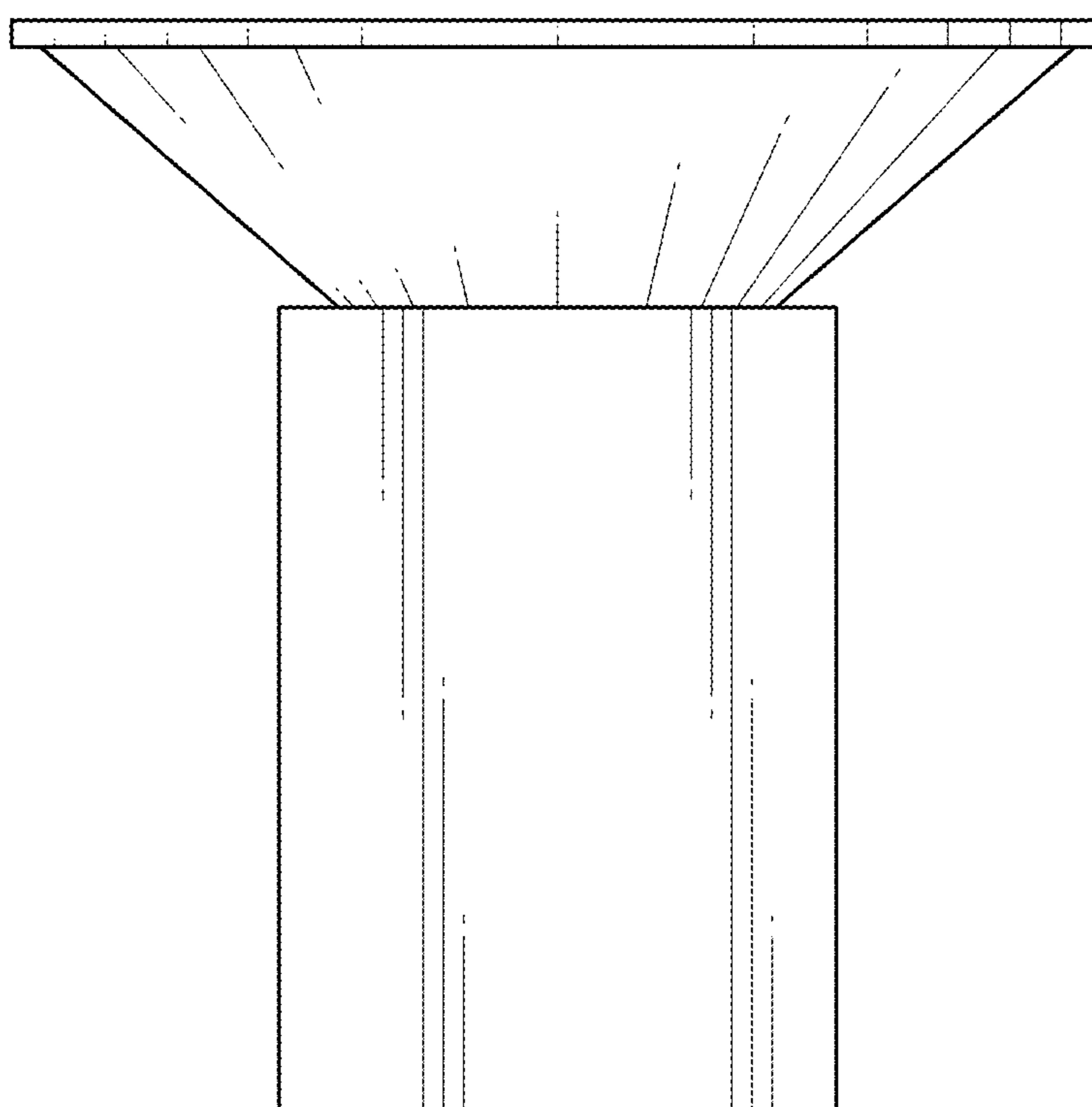


FIG. 5

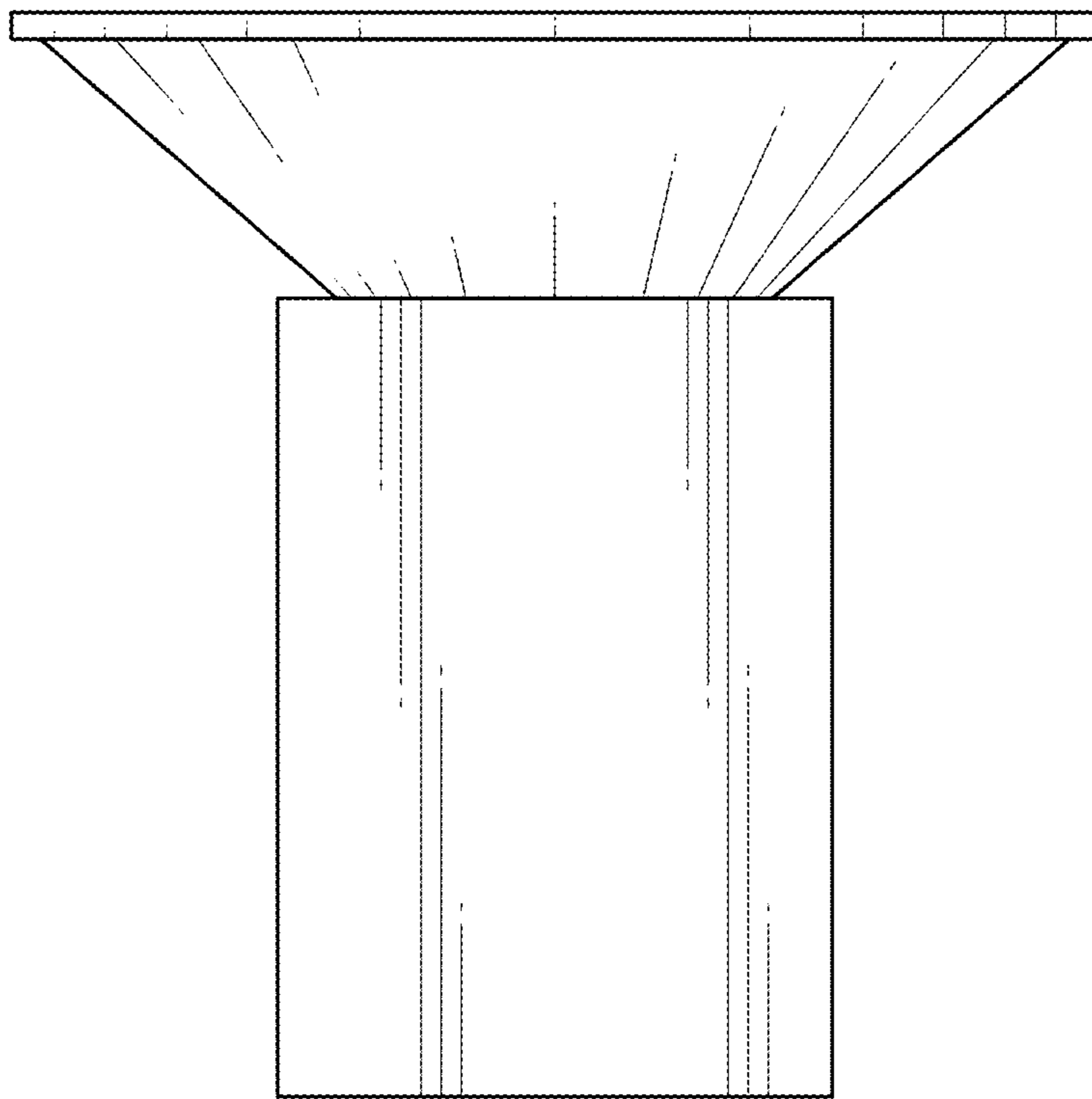


FIG. 6



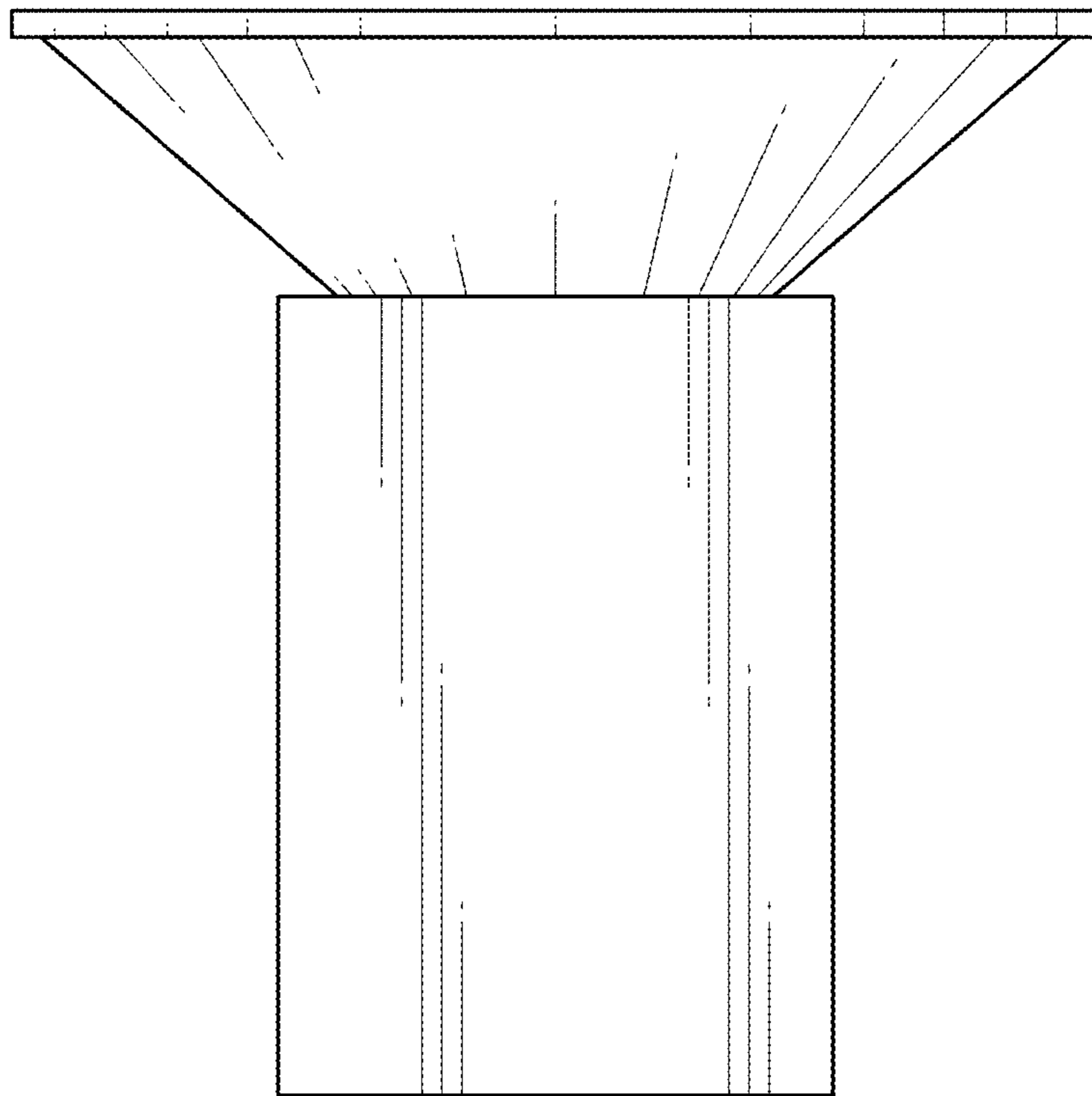


FIG. 7