



US00D798098S

(12) **United States Design Patent** (10) **Patent No.:** **US D798,098 S**  
**Bournay, Jr. et al.** (45) **Date of Patent:** **\*\* Sep. 26, 2017**

(54) **TOASTER**  
(71) Applicant: **WHIRLPOOL CORPORATION**,  
Benton Harbor, MI (US)  
(72) Inventors: **Fred Bournay, Jr.**, Dowagiac, MI  
(US); **John W. McConnell**, St. Joseph,  
MI (US); **Joel Graham Van Faasen**,  
Holland, MI (US); **ZhaoYi Yin**, Benton  
Harbor, MI (US)  
(73) Assignee: **Whirlpool Corporation**, Benton  
Harbor, MI (US)

D548,512 S 8/2007 Nakatani  
D553,421 S 10/2007 Kim et al.  
D567,570 S 4/2008 O'Loughlin  
D577,533 S \* 9/2008 Robinson ..... D7/330  
D640,893 S 7/2011 Lindquist et al.  
D644,473 S \* 9/2011 Pantaleo ..... D7/330  
D655,126 S \* 3/2012 Gregory ..... D7/330  
D688,509 S 8/2013 Carlson  
D701,720 S \* 4/2014 Palermo ..... D7/330  
D746,093 S 12/2015 Bazzicalupo et al.  
D746,624 S 1/2016 Sun  
D749,348 S \* 2/2016 Carlson ..... D7/330  
D759,417 S 6/2016 Carpenter et al.

(Continued)

(\*\*) Term: **15 Years**

(21) Appl. No.: **29/570,686**

(22) Filed: **Jul. 11, 2016**

(51) **LOC (10) Cl.** ..... **07-02**

(52) **U.S. Cl.**  
USPC ..... **D7/330**

(58) **Field of Classification Search**  
USPC ..... D7/323, 328-330, 390  
CPC ... A21B 2/00; A47J 37/00; A47J 37/06; A47J  
37/0611; A47J 37/08; A47J 37/0807;  
A47J 37/0814; A47J 37/0835; A47J  
37/0842; A47J 37/085; A47J 37/0864;  
A47J 37/0878; A47J 37/0885; A47J  
37/0892; F24C 15/10; F24C 15/102  
See application file for complete search history.

(56) **References Cited**

**U.S. PATENT DOCUMENTS**

5,802,957 A 9/1998 Wanat et al.  
6,006,656 A 12/1999 Lulofs et al.  
D472,421 S 4/2003 To  
D473,093 S 4/2003 To  
D490,267 S 5/2004 Berthier  
D509,702 S 9/2005 Picozza et al.  
D520,801 S 5/2006 Cuffaro et al.

**FOREIGN PATENT DOCUMENTS**

EP 786222 A1 6/2000  
WO 2013155574 A1 10/2013  
WO 2015097590 A1 7/2015

*Primary Examiner* — Ricky Pham

(74) *Attorney, Agent, or Firm* — Price Heneveld LLP

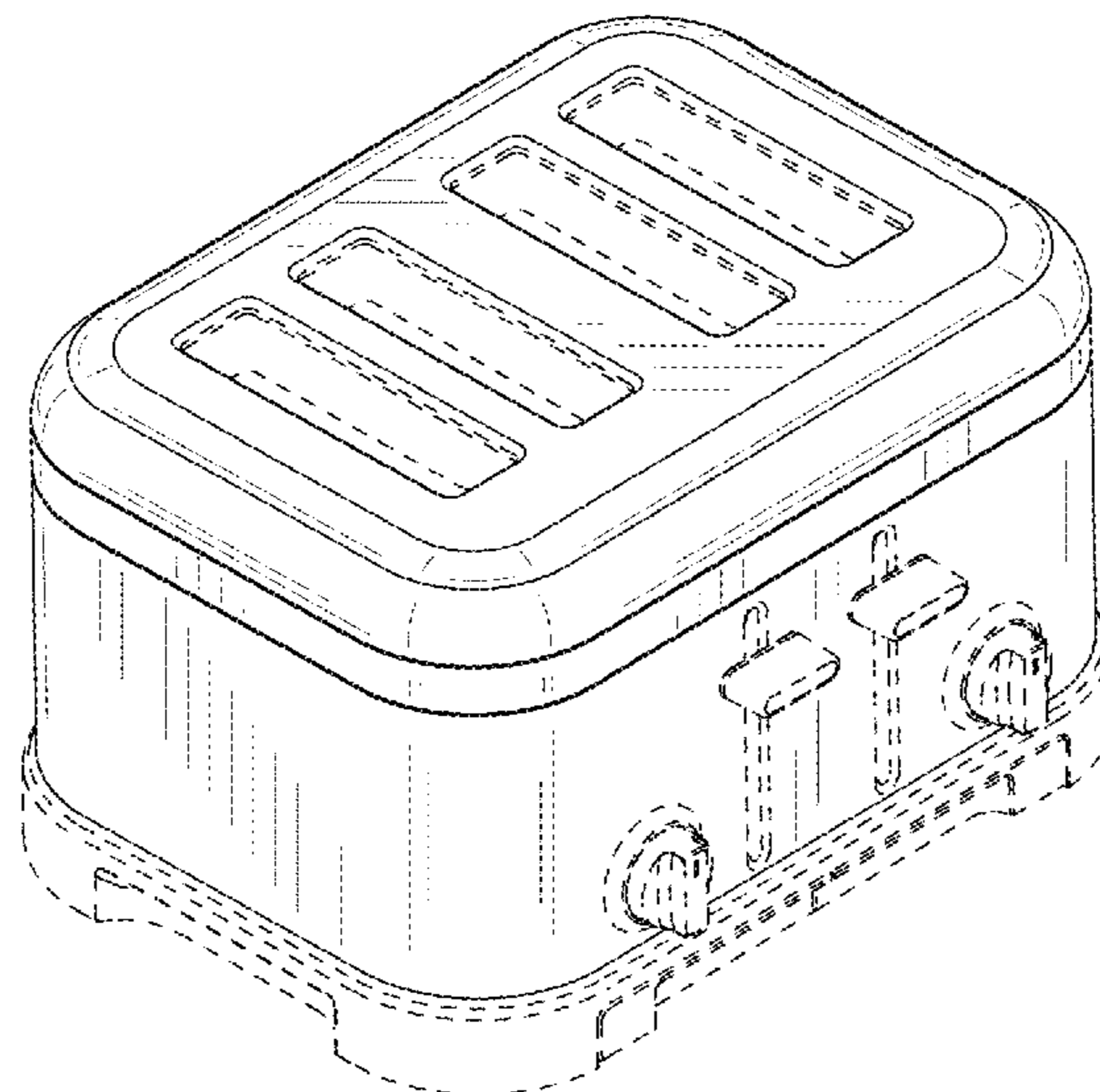
(57) **CLAIM**

We claim the ornamental design for a toaster, as shown and described.

**DESCRIPTION**

FIG. 1 is a front perspective view of a toaster of the present disclosure;  
FIG. 2 is a rear perspective view of the toaster of FIG. 1;  
FIG. 3 is a front elevational view of the toaster of FIG. 1;  
FIG. 4 is a rear elevational view of the toaster of FIG. 1.  
FIG. 5 is a first side elevational view of the toaster of FIG. 1;  
FIG. 6 is a second side elevational view of the toaster of FIG. 1;  
FIG. 7 is a top plan view of the toaster of FIG. 1; and,  
FIG. 8 is a bottom plan view of the toaster of FIG. 1.  
The broken lines depict portions of the article that form no part of the claimed design.

**1 Claim, 4 Drawing Sheets**



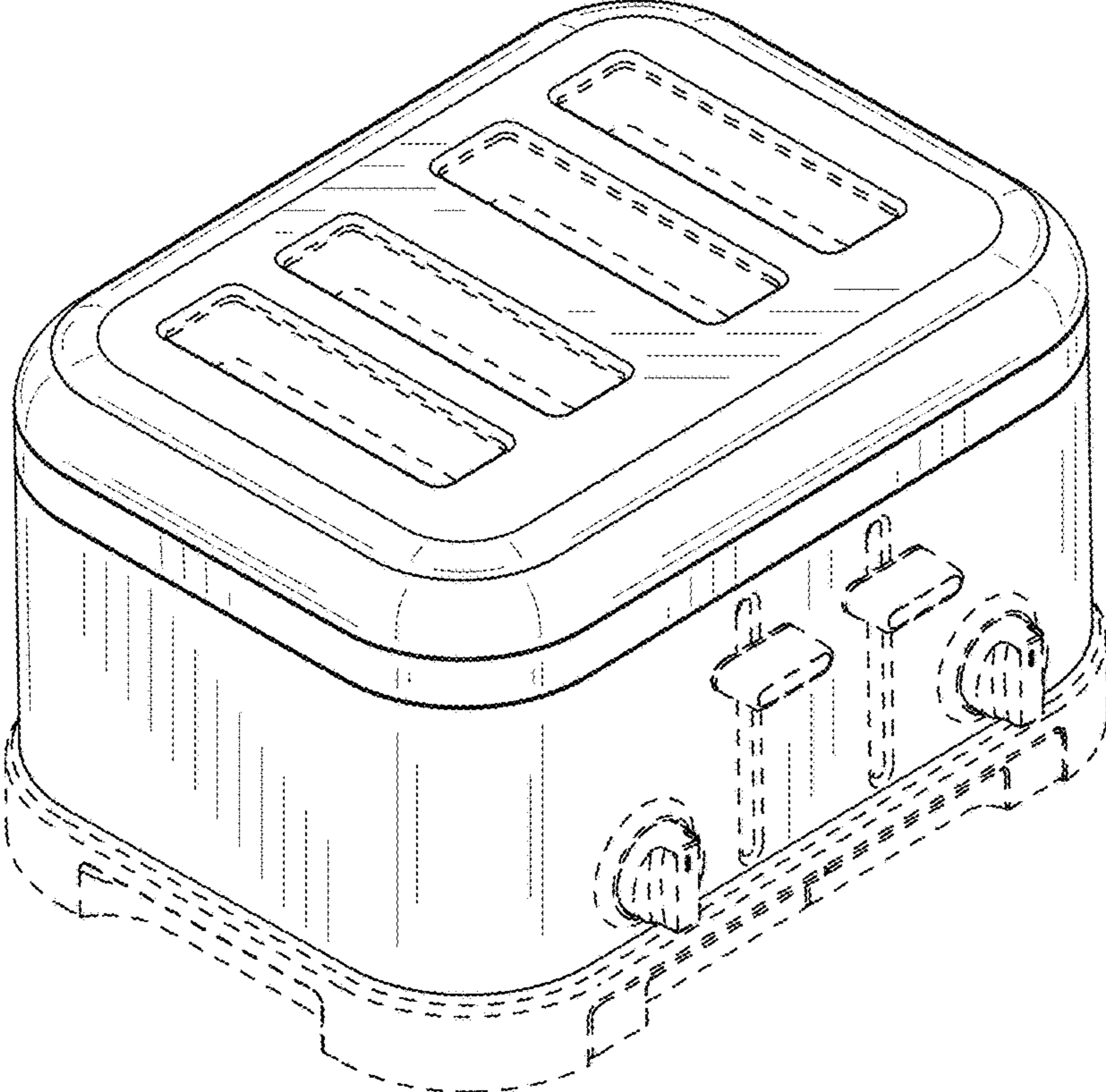
(56)

**References Cited**

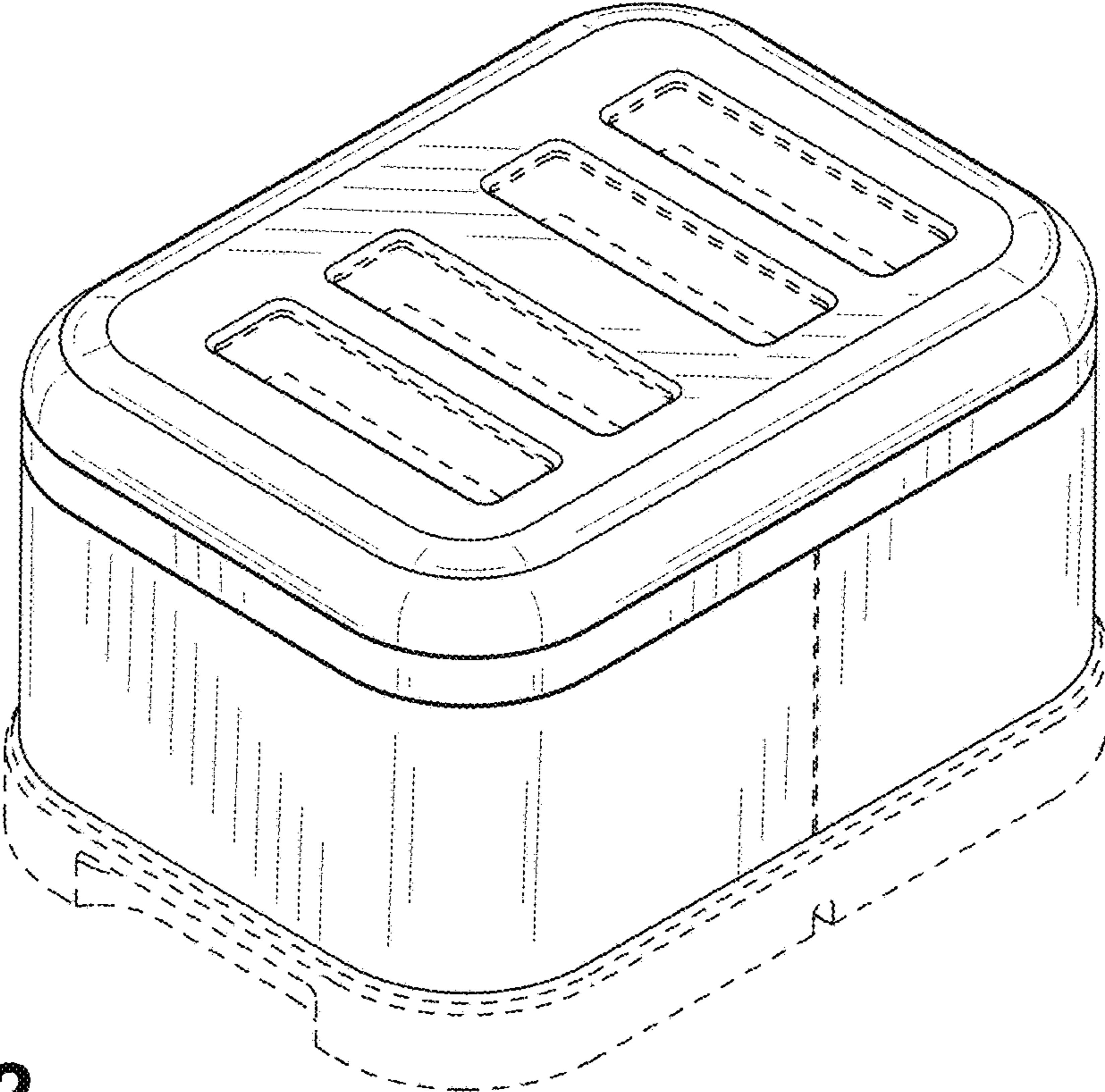
U.S. PATENT DOCUMENTS

D761,610 S *	7/2016	Carpenter .....	D7/330
D765,456 S *	9/2016	Lee .....	D7/330
D777,501 S *	1/2017	Lee .....	D7/330
2002/0069764 A1	6/2002	Cohen	
2006/0201333 A1	9/2006	Friel et al.	
2011/0132895 A1	6/2011	Tassan-Mangina et al.	

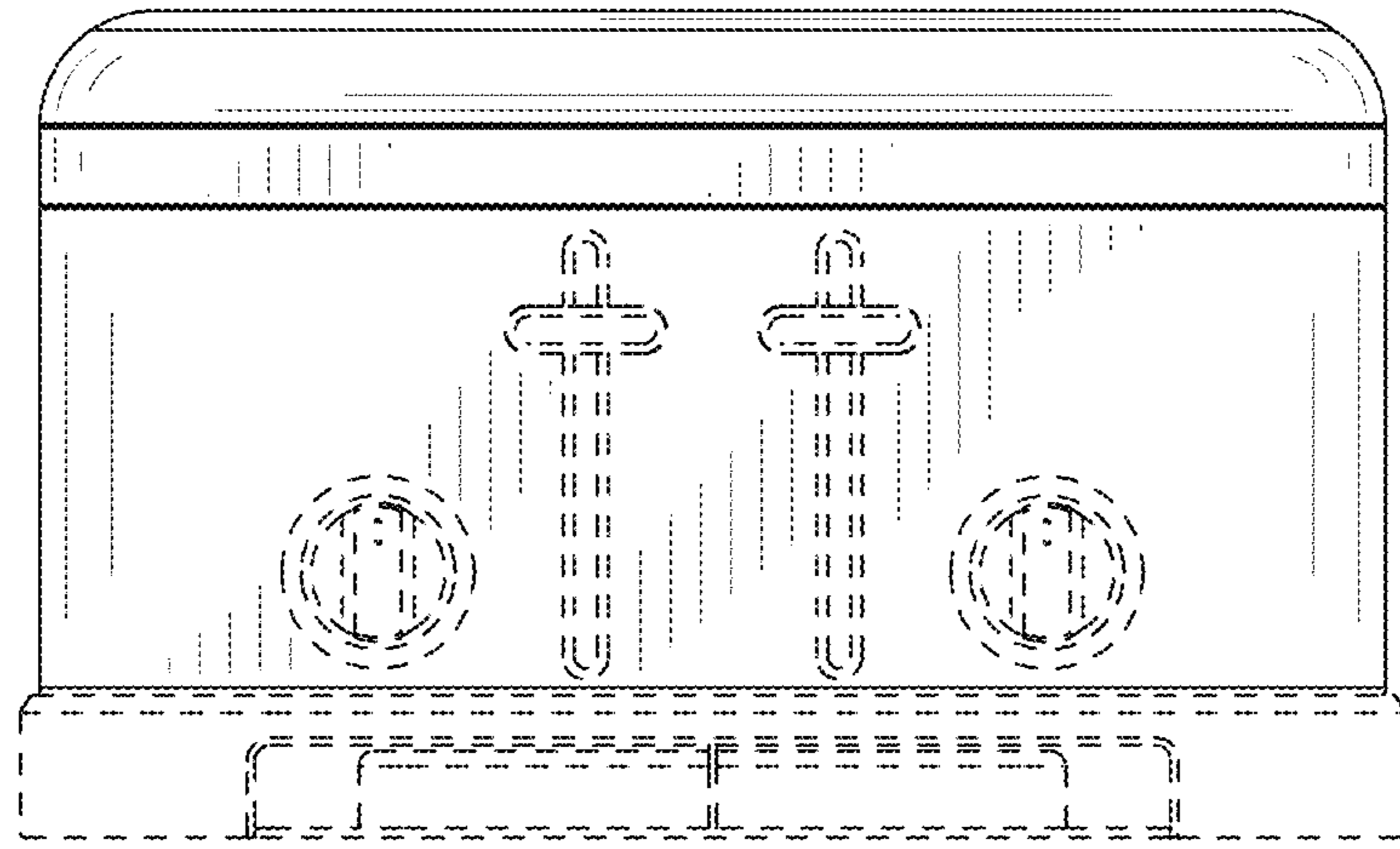
\* cited by examiner



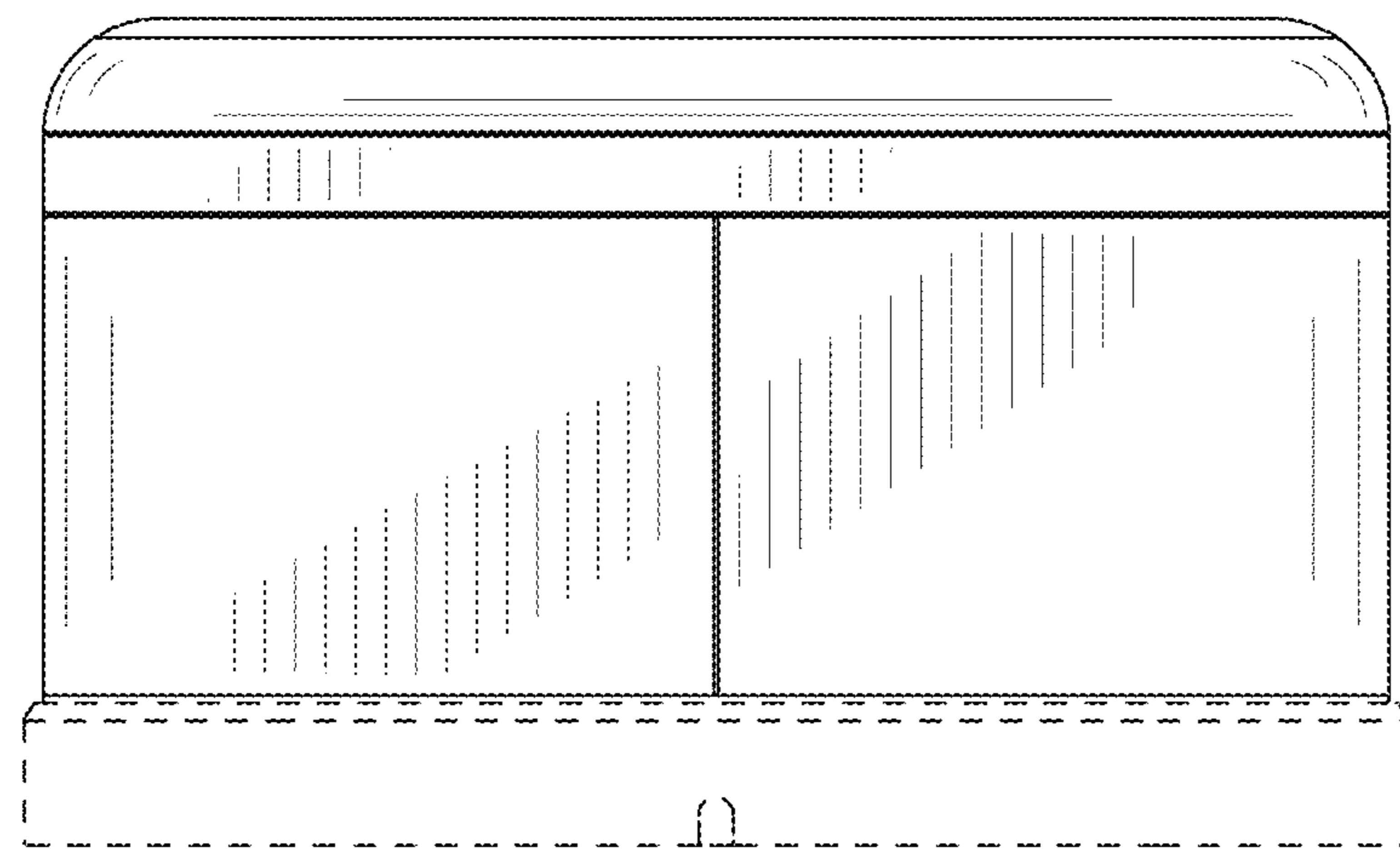
**FIG. 1**



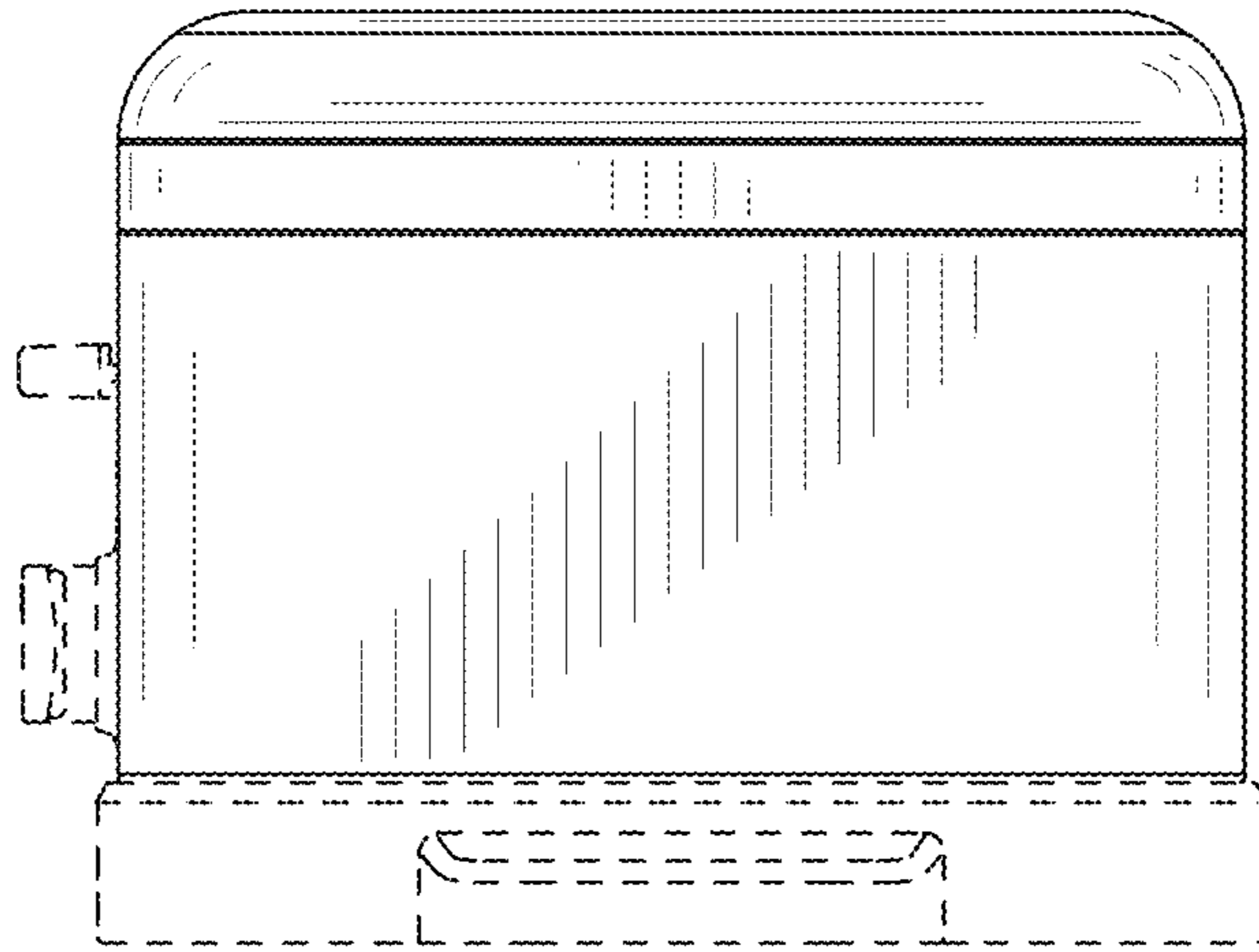
**FIG. 2**



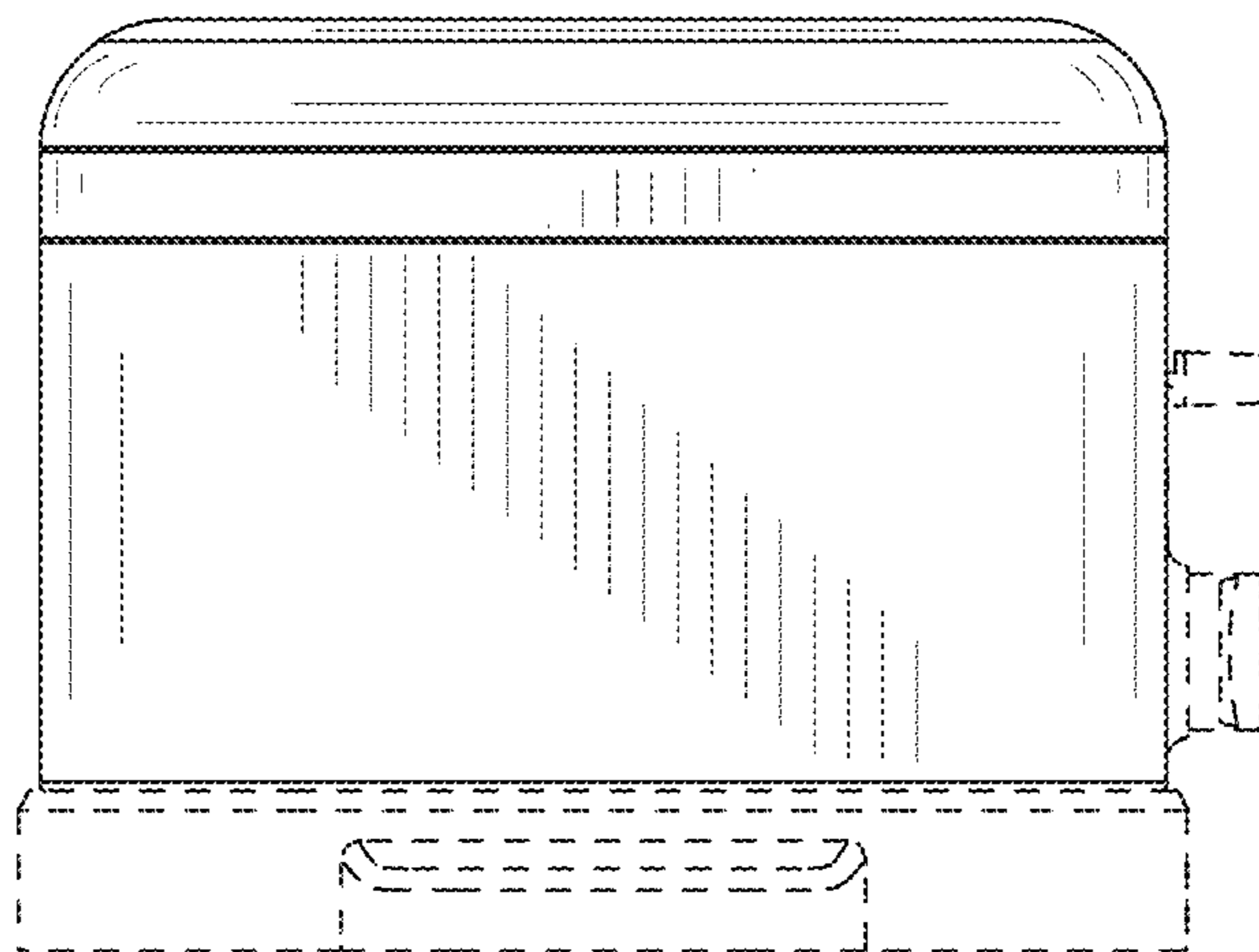
**FIG. 3**



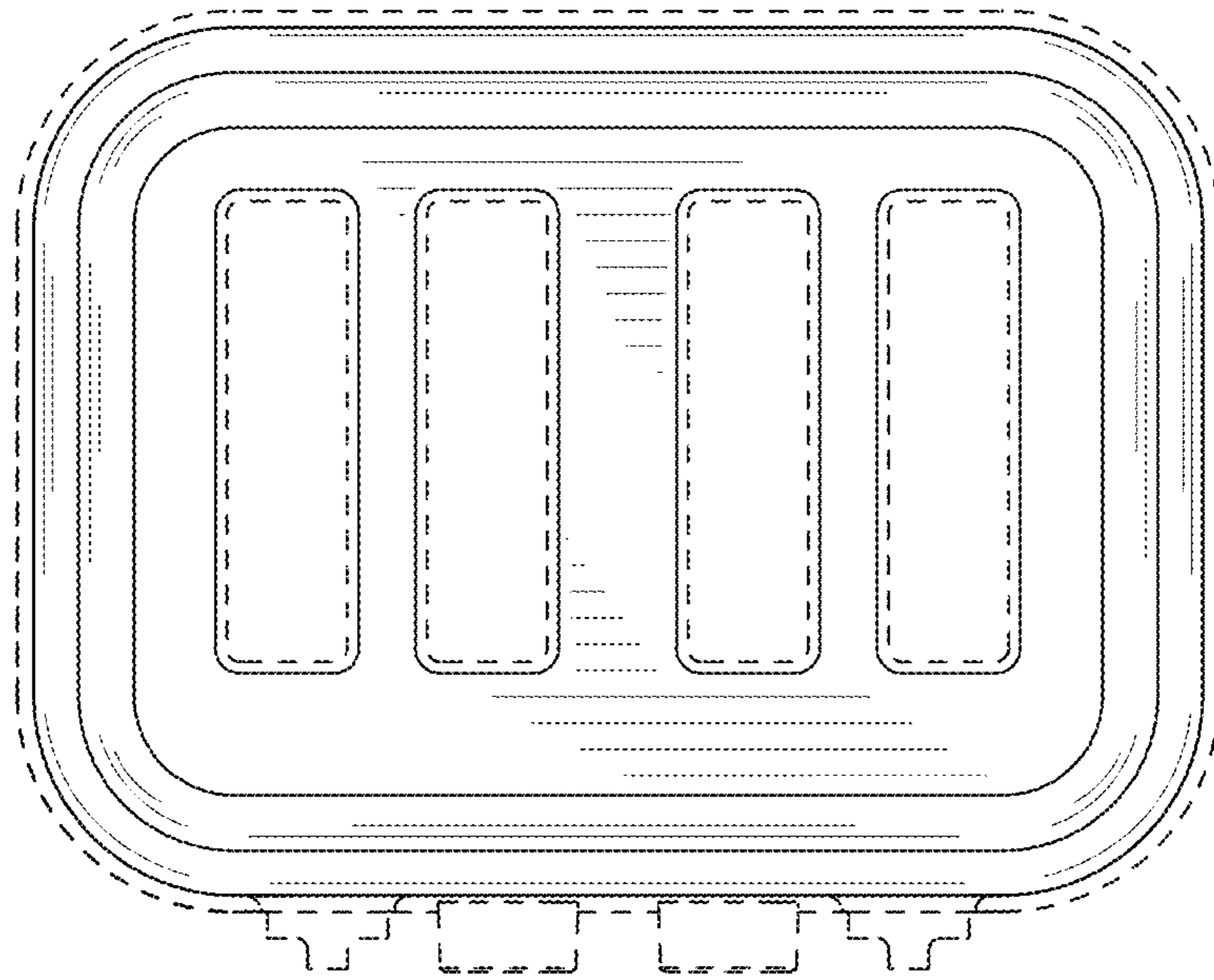
**FIG. 4**



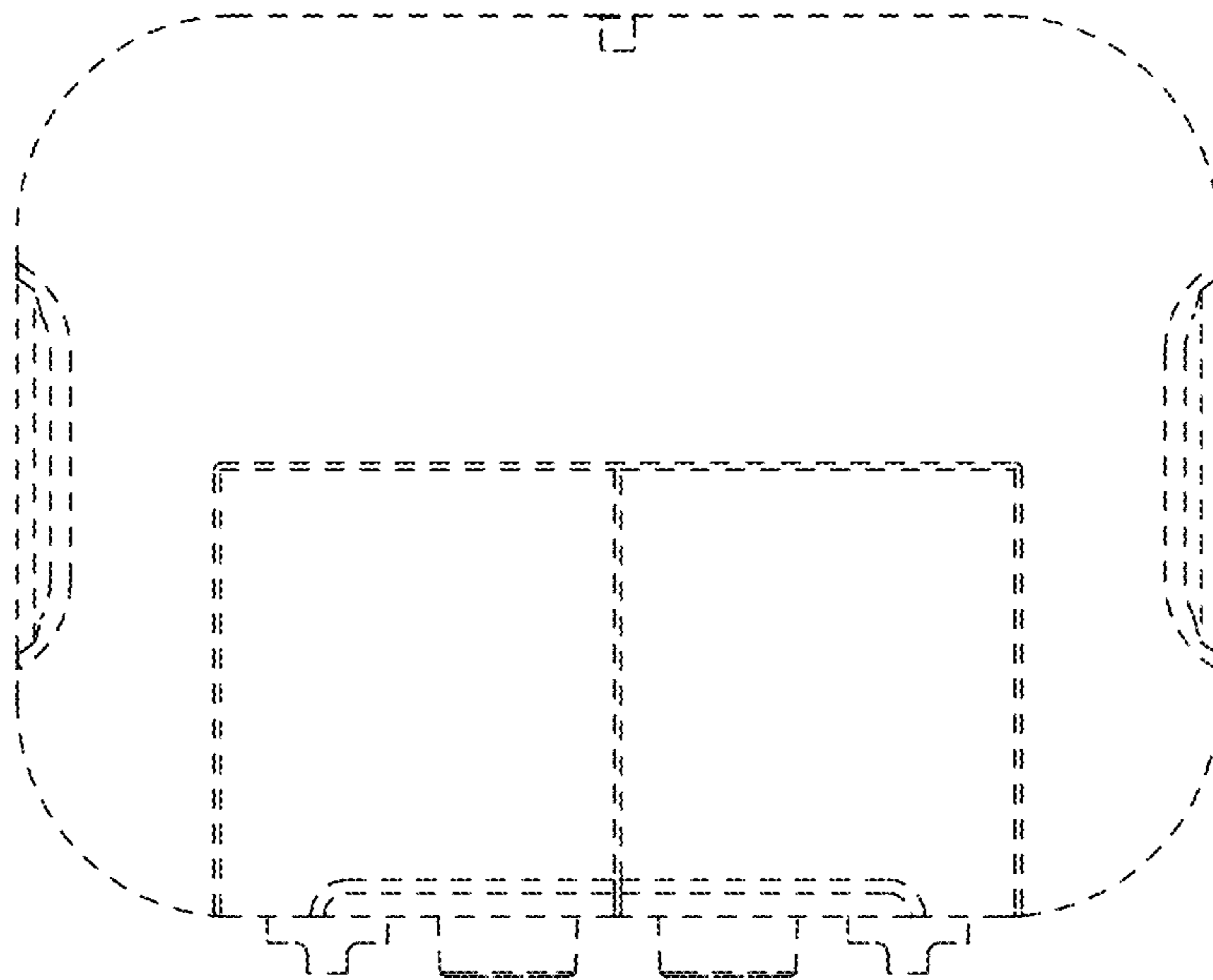
**FIG. 5**



**FIG. 6**



**FIG. 7**



**FIG. 8**