

US00D798097S

(12) **United States Design Patent**
Kelley et al.

(10) **Patent No.:** **US D798,097 S**

(45) **Date of Patent:** **** Sep. 26, 2017**

(54) **TOASTER**

(71) Applicant: **Pangea Brands LLC**, New York, NY (US)

(72) Inventors: **Jeremy Kelley**, New York, NY (US);
Edward Strauss, New York, NY (US);
Jason Davidman, New York, NY (US)

(73) Assignee: **Pangea Brands LLC**, New York, NY (US)

(**) Term: **15 Years**

(21) Appl. No.: **29/536,679**

(22) Filed: **Aug. 19, 2015**

(51) **LOC (10) Cl.** **07-02**

(52) **U.S. Cl.**
USPC **D7/330**

(58) **Field of Classification Search**
USPC D6/674; D7/323, 328–330, 390;
D9/441; D21/373; D28/67; D30/152
CPC ... A21B 2/00; A47J 37/00; A47J 37/06; A47J
37/0611; A47J 37/08; A47J 37/0807;
A47J 37/0814; A47J 37/0835; A47J
37/0842; A47J 37/085; A47J 37/0864;
A47J 37/0878; A47J 37/0885; A47J
37/0892; F24C 15/10; F24C 15/102
See application file for complete search history.

(56) **References Cited**

U.S. PATENT DOCUMENTS

1,516,054 A * 11/1924 Mottlau A47J 37/08
126/41 R
D155,128 S * 9/1949 Cox et al. D7/330

D373,310 S * 9/1996 Trautmann D9/441
D377,998 S * 2/1997 Dunn D28/67
D401,117 S * 11/1998 Anderson D7/606
D401,472 S * 11/1998 Gould D7/330
D403,364 S * 12/1998 Paolucci D21/373
D434,264 S * 11/2000 Mixides D7/330
D524,090 S * 7/2006 Wise D7/330
D594,701 S * 6/2009 Sax D7/515
D623,436 S * 9/2010 Lau D6/674
D669,232 S * 10/2012 Chung D30/152

* cited by examiner

Primary Examiner — Ricky Pham

(74) *Attorney, Agent, or Firm* — Ulmer & Berne LLP

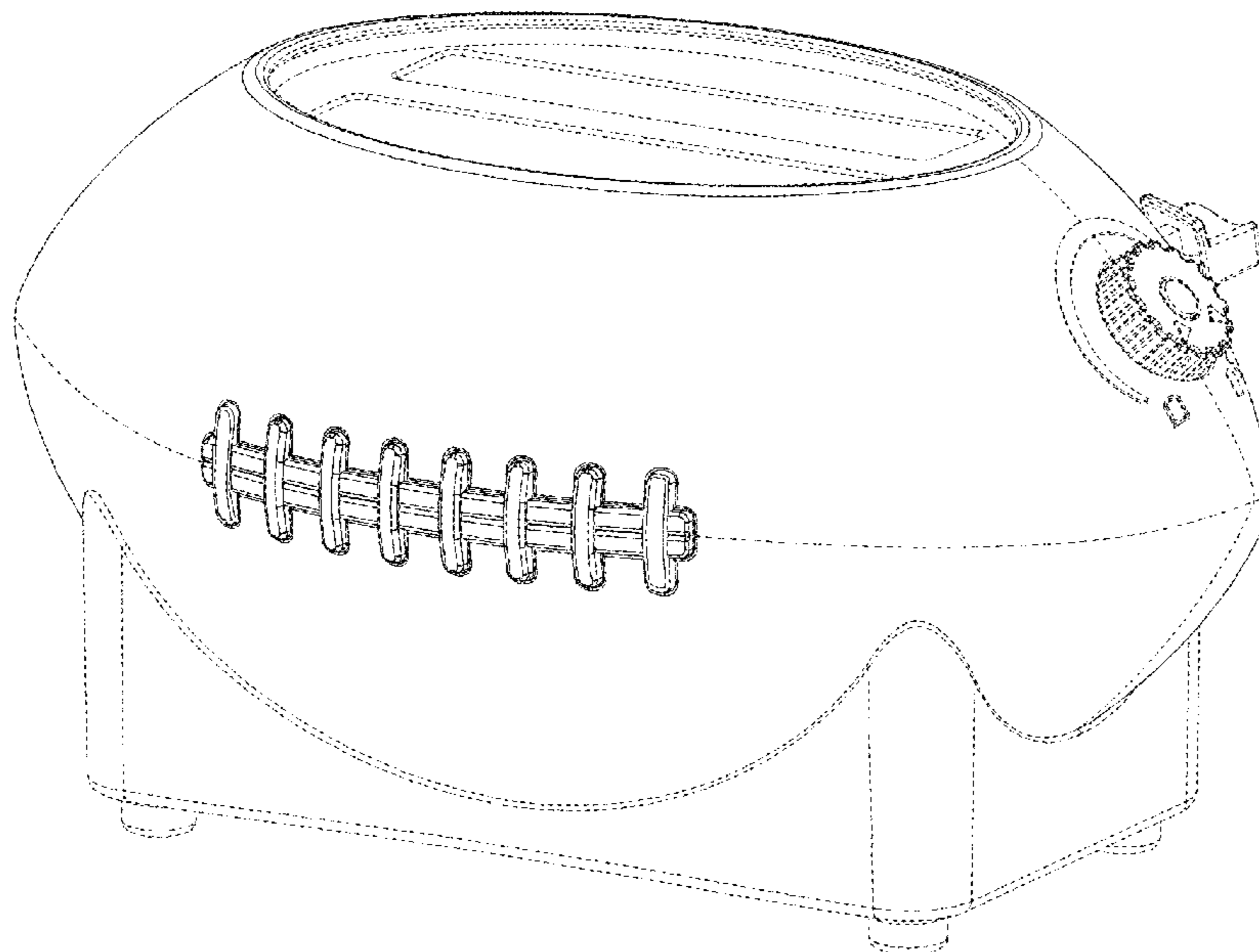
(57) **CLAIM**

The ornamental design for a toaster, as shown and described.

DESCRIPTION

FIG. 1 is a front perspective view of a toaster, showing our new design;
FIG. 2 is a front elevation view thereof;
FIG. 3 is a rear elevation view thereof;
FIG. 4 is a right elevation view thereof;
FIG. 5 is a left elevation view thereof;
FIG. 6 is a top plan view thereof; and,
FIG. 7 is a bottom plan view thereof.
The broken lines in the figures illustrate unclaimed portions of the toaster.

1 Claim, 7 Drawing Sheets



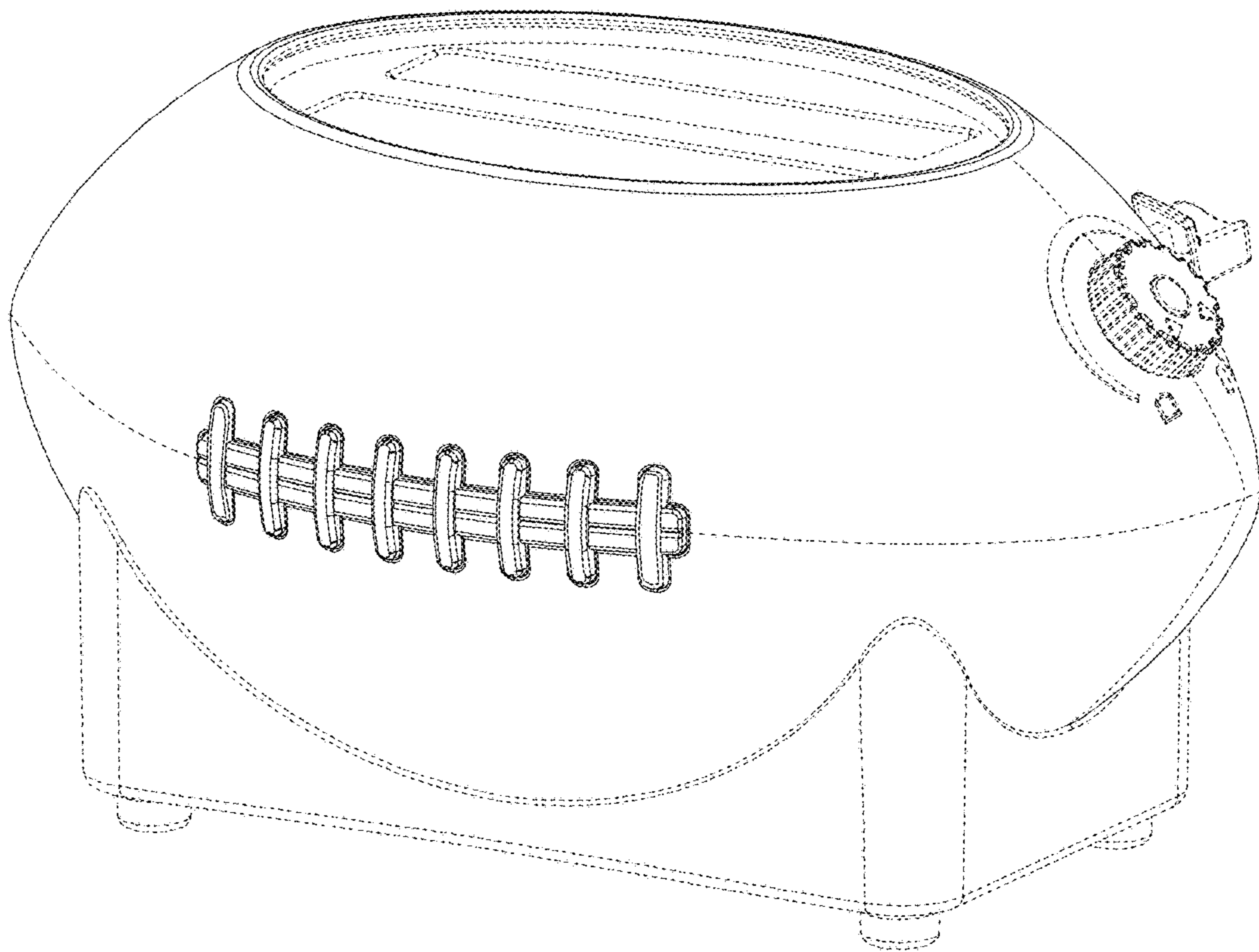


FIG. 1

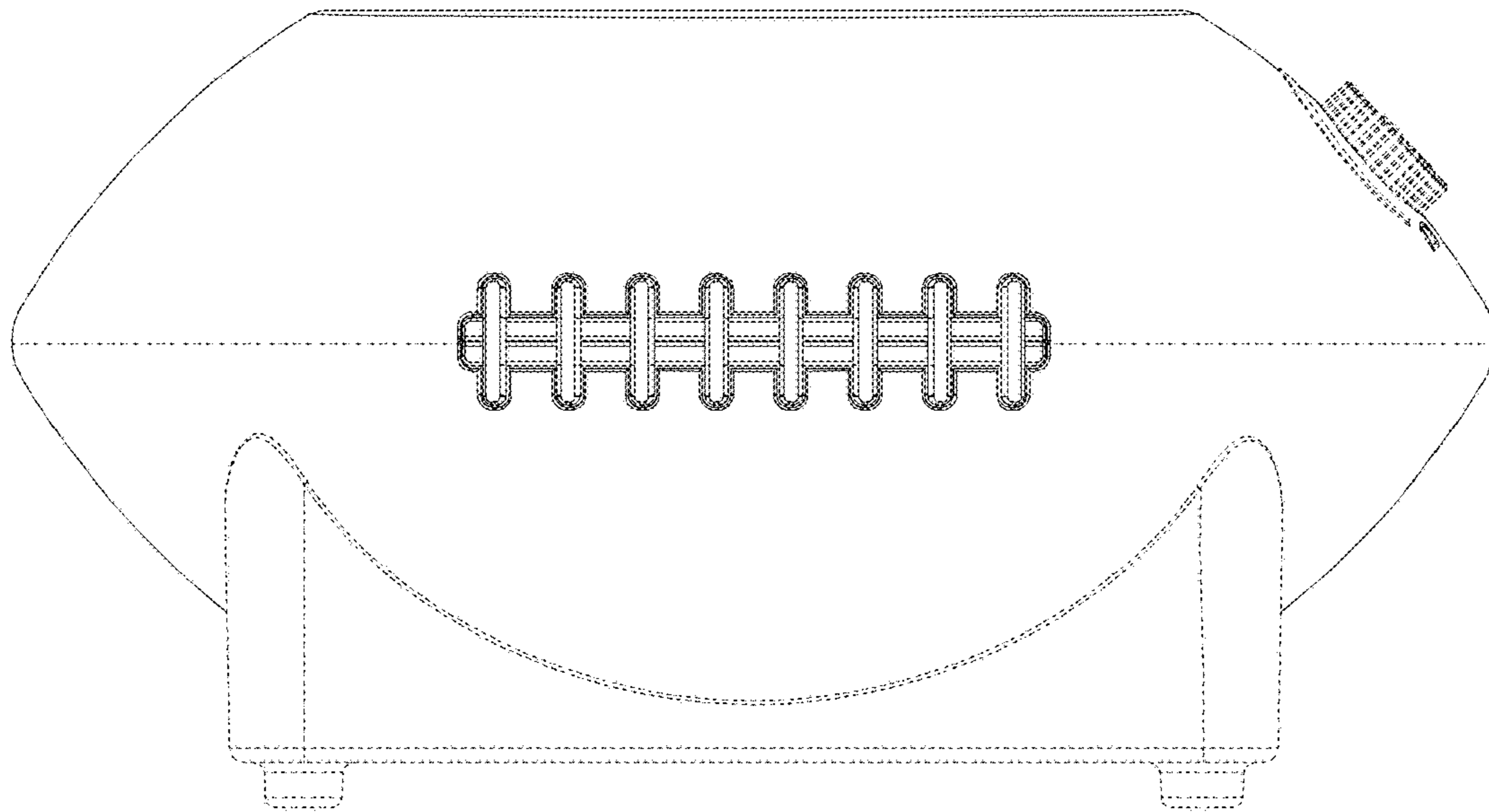


FIG. 2

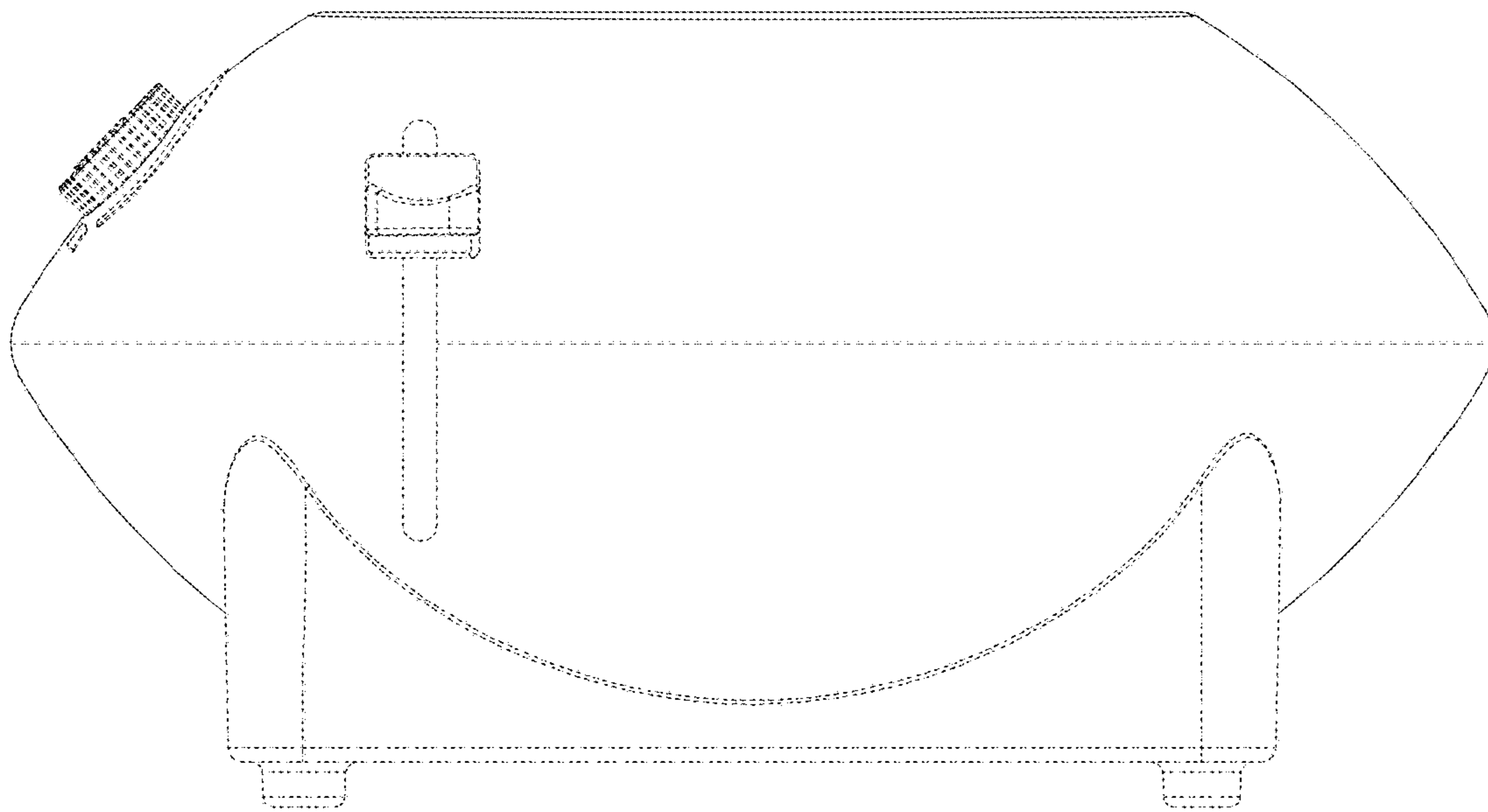


FIG. 3

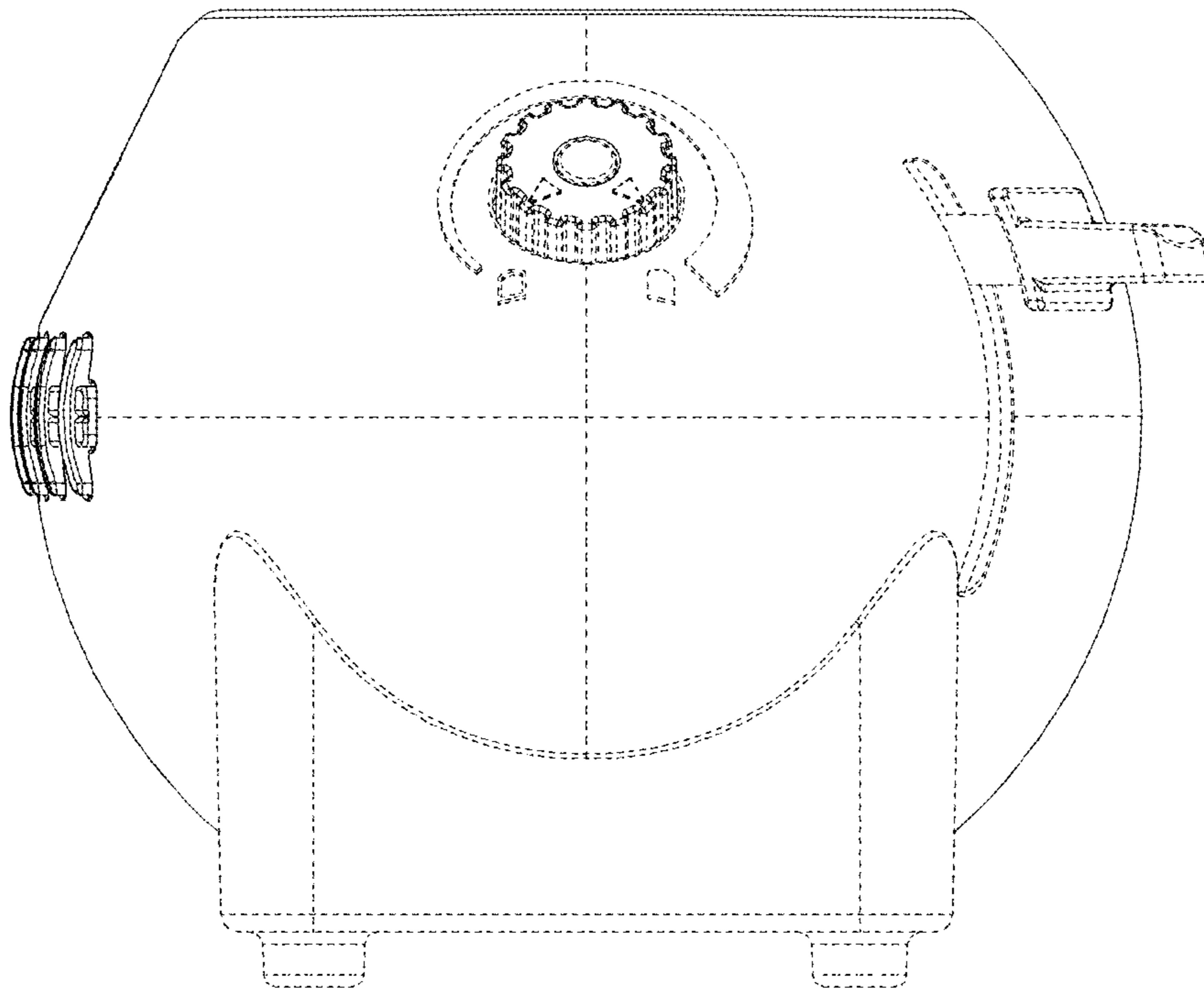


FIG. 4

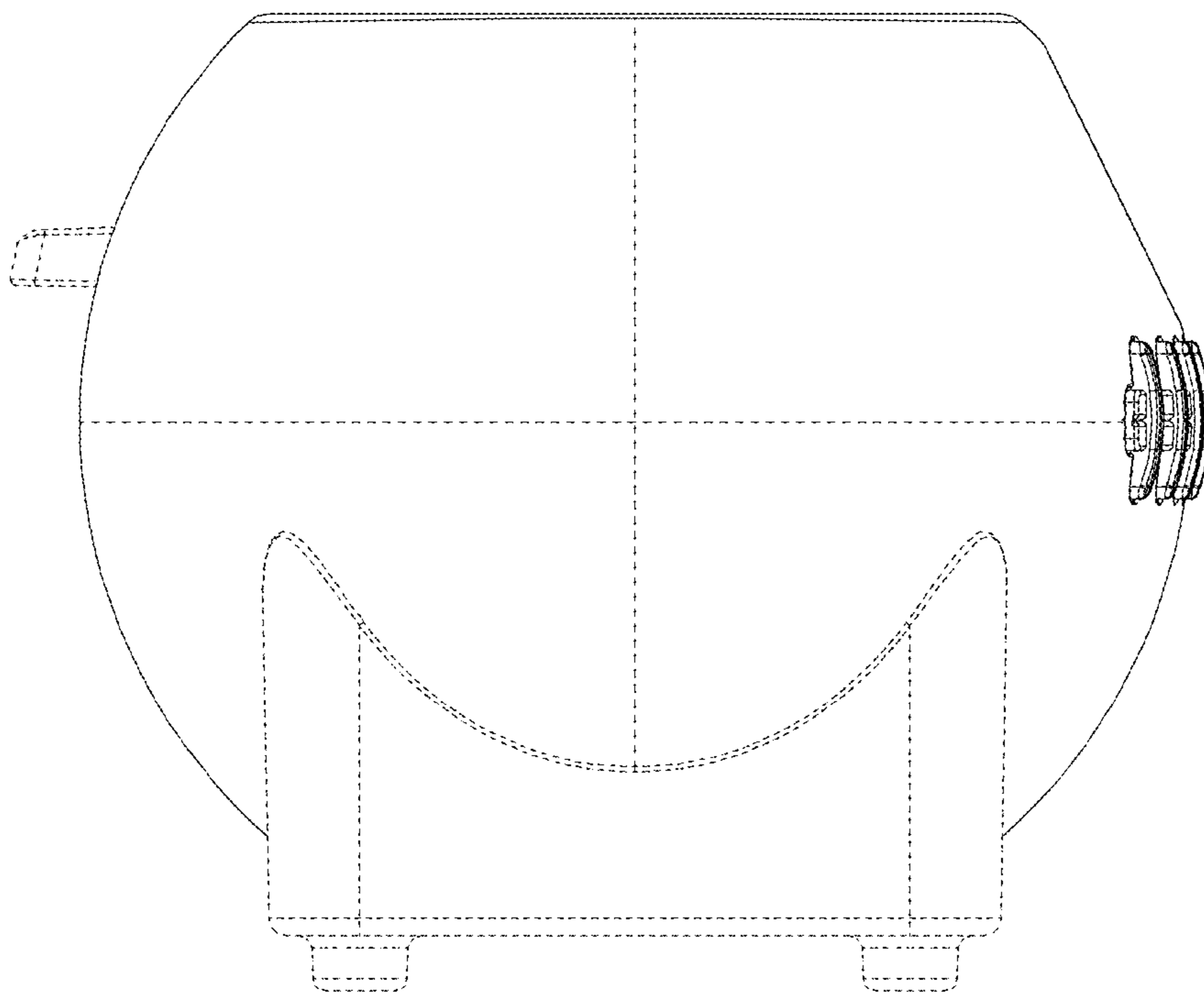


FIG. 5

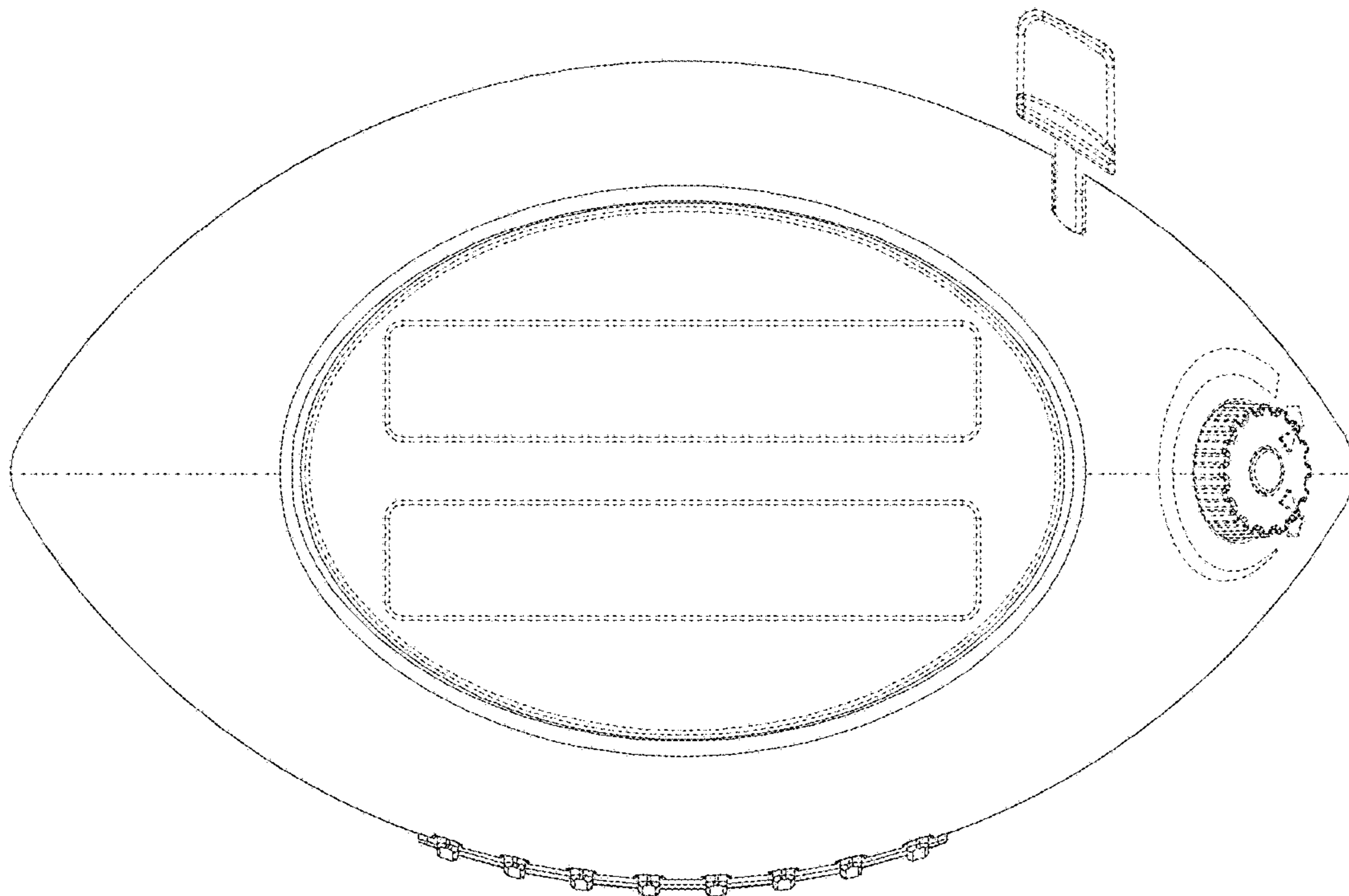


FIG. 6

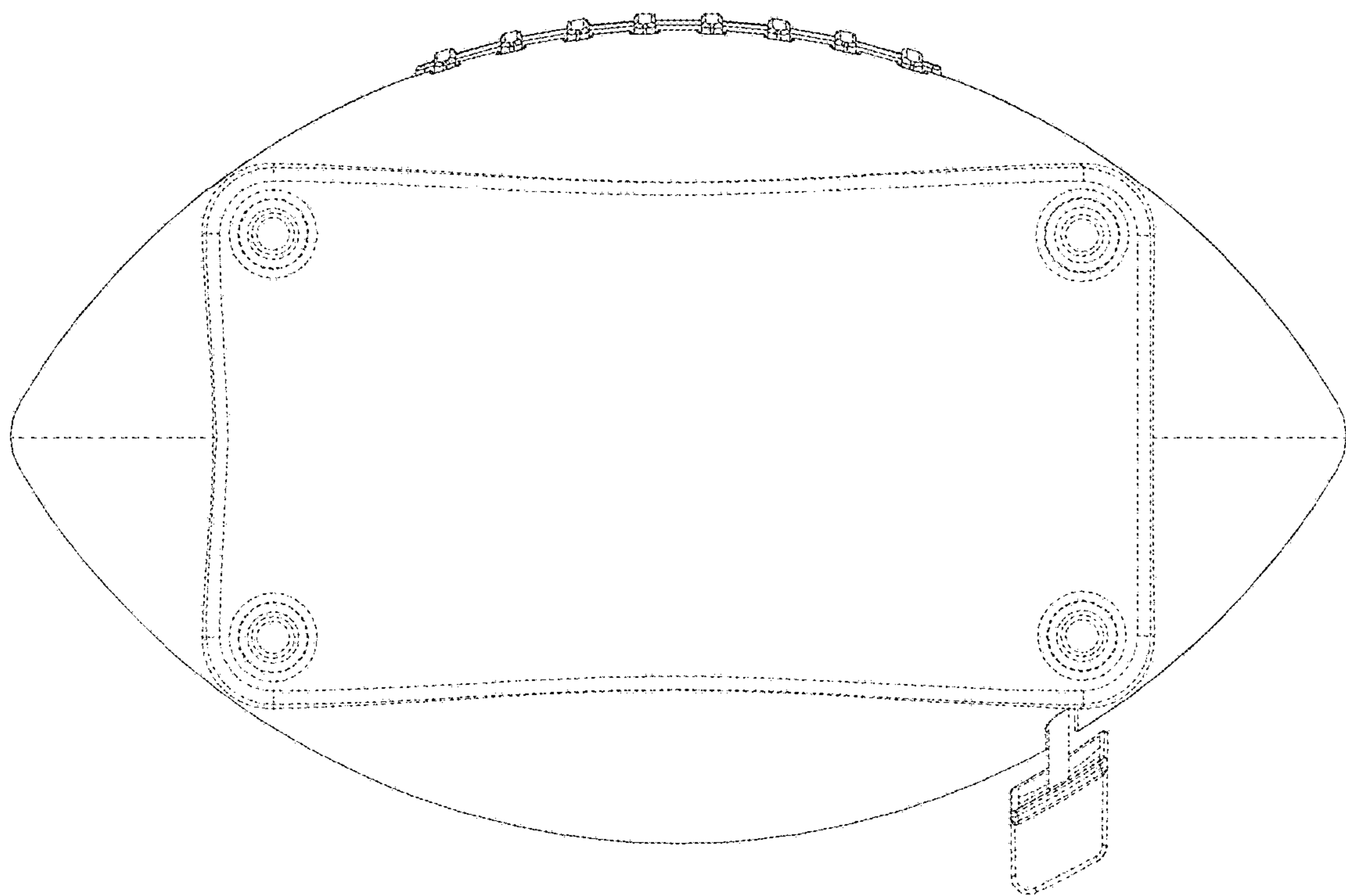


FIG. 7