



US00D798096S

(12) **United States Design Patent** (10) **Patent No.:** **US D798,096 S**
Kelley et al. (45) **Date of Patent:** **** Sep. 26, 2017**

(54) **TOASTER**
(71) Applicant: **Pangea Brands LLC**, New York, NY (US)
(72) Inventors: **Jeremy Kelley**, New York, NY (US);
Edward Strauss, New York, NY (US);
Jason Davidman, New York, NY (US)
(73) Assignee: **Pangea Brands LLC**, New York, NY (US)

6,610,916 B1 * 8/2003 Torrez F16M 13/02
84/421
D549,509 S * 8/2007 Spagnolo D7/330
D596,222 S * 7/2009 Onishi D17/22
D623,436 S * 9/2010 Lau D6/674
D665,125 S * 8/2012 Cowzer D27/120
D686,865 S * 7/2013 De'Longhi D7/330

* cited by examiner

Primary Examiner — Ricky Pham

(74) *Attorney, Agent, or Firm* — Ulmer & Berne LLP

(**) Term: **15 Years**

(21) Appl. No.: **29/533,371**

(22) Filed: **Jul. 16, 2015**

(51) **LOC (10) Cl.** **07-02**

(52) **U.S. Cl.**
USPC **D7/330**

(58) **Field of Classification Search**
USPC D6/674; D7/323, 328–330, 390;
D17/22; D27/120; D28/67
CPC ... A21B 2/00; A47J 37/00; A47J 37/06; A47J
37/0611; A47J 37/08; A47J 37/0807;
A47J 37/0814; A47J 37/0835; A47J
37/0842; A47J 37/085; A47J 37/0864;
A47J 37/0878; A47J 37/0885; A47J
37/0892; F16M 3/02; F24C 15/10; F24C
15/102

See application file for complete search history.

(56) **References Cited**

U.S. PATENT DOCUMENTS

D107,552 S * 12/1937 Scharfenberg D7/330
D155,128 S * 9/1949 Cox et al. D7/330
D367,339 S * 2/1996 Dunn D28/67
D464,078 S * 10/2002 Lau D17/22

(57) **CLAIM**

The ornamental design for a toaster, as shown and described.

DESCRIPTION

FIG. 1 is a rear perspective view of a toaster, showing our new design;

FIG. 2 is a front elevation view thereof;

FIG. 3 is a rear elevation view thereof;

FIG. 4 is a right elevation view thereof;

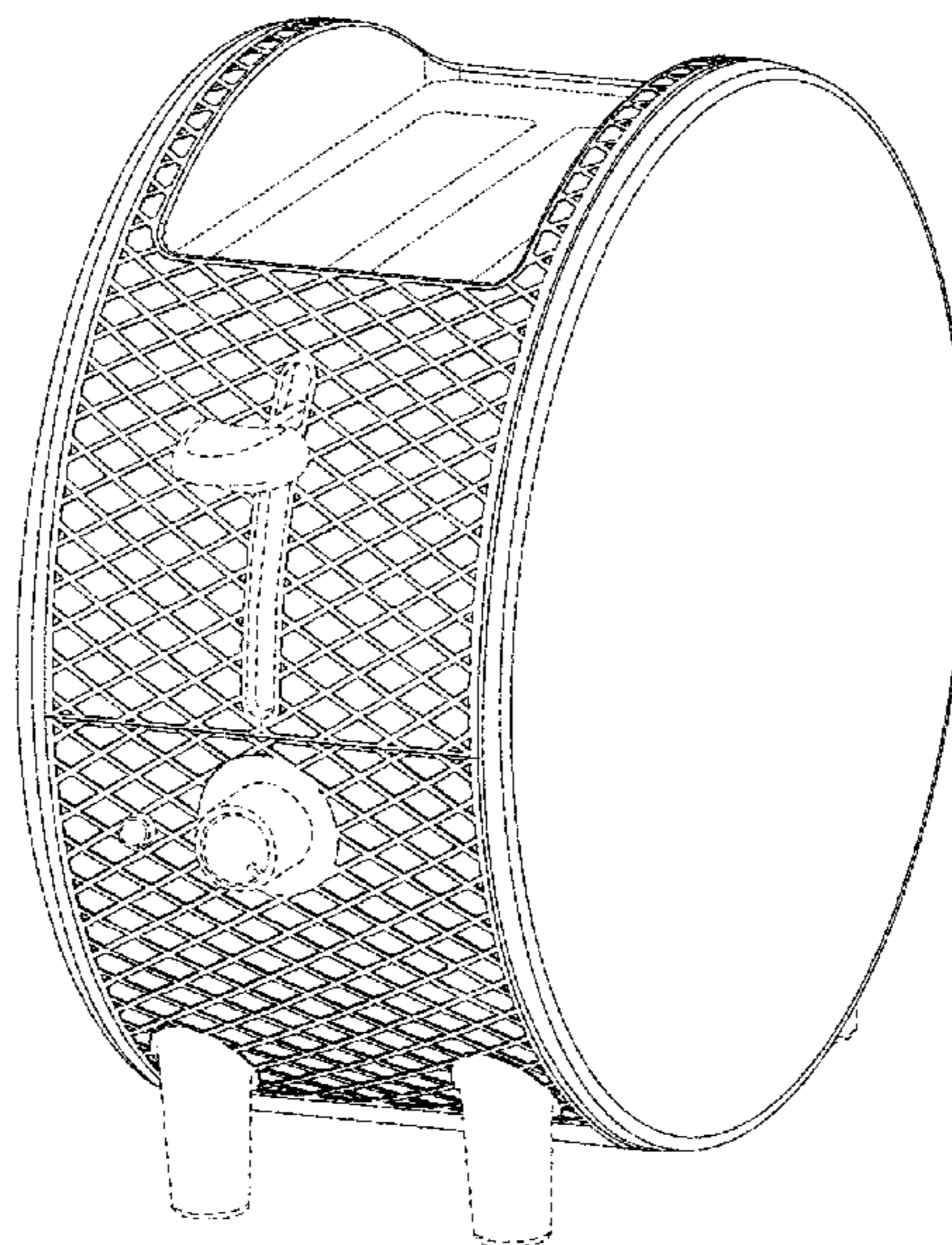
FIG. 5 is a left elevation view thereof;

FIG. 6 is a top plan view thereof; and,

FIG. 7 is a bottom plan view thereof.

The broken lines in the figures illustrate unclaimed portions of the toaster.

1 Claim, 7 Drawing Sheets



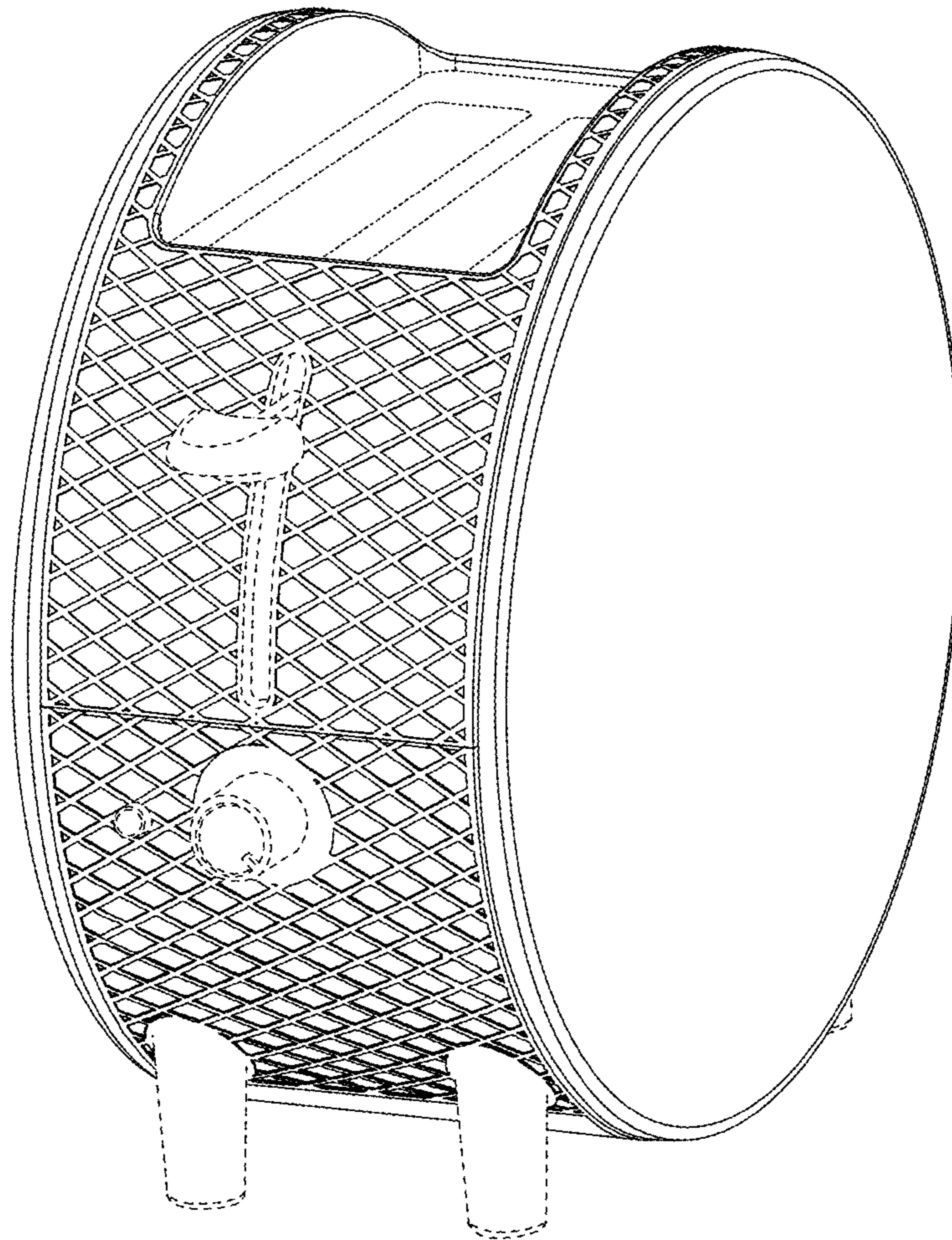


FIG. 1

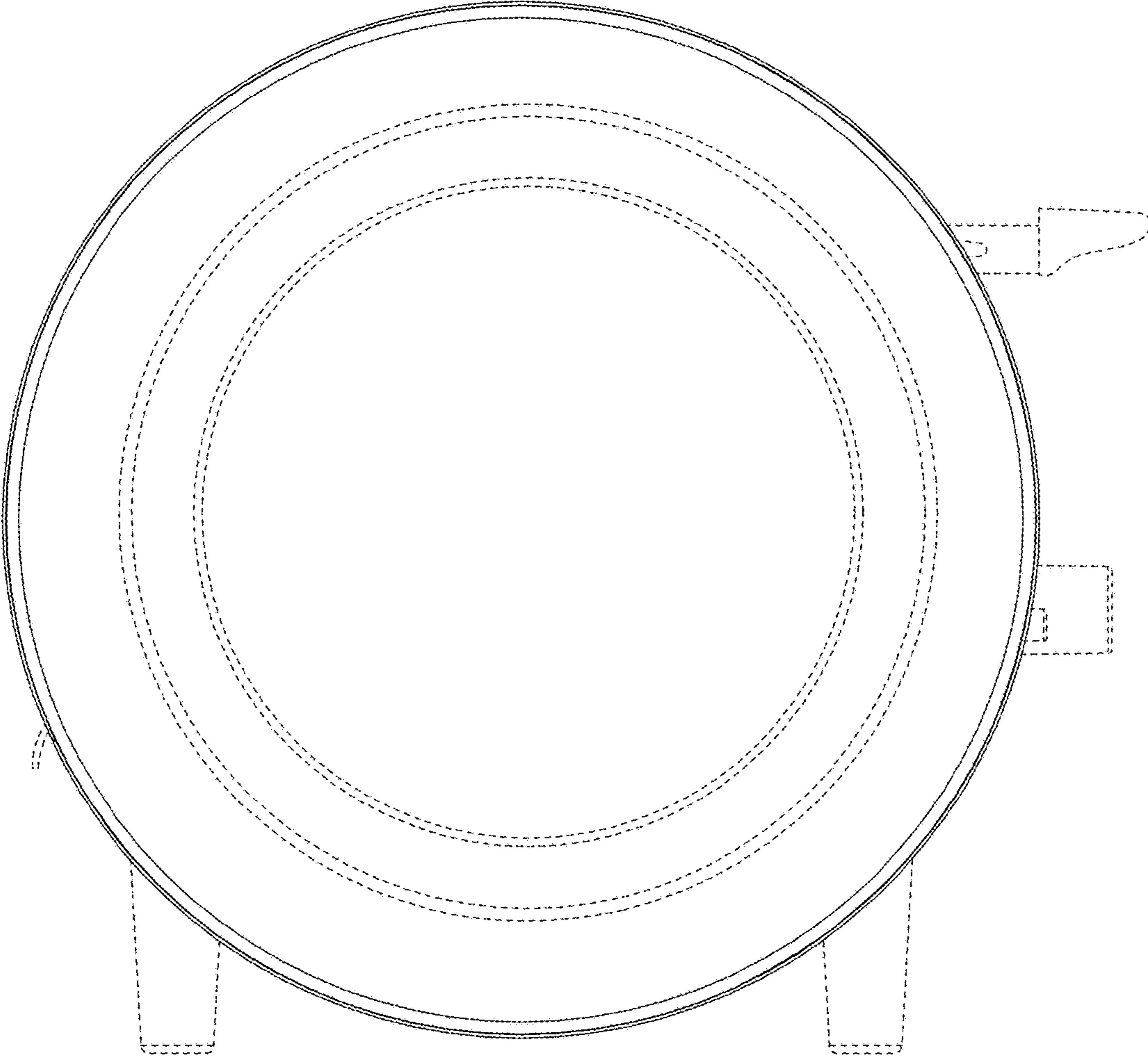


FIG. 2

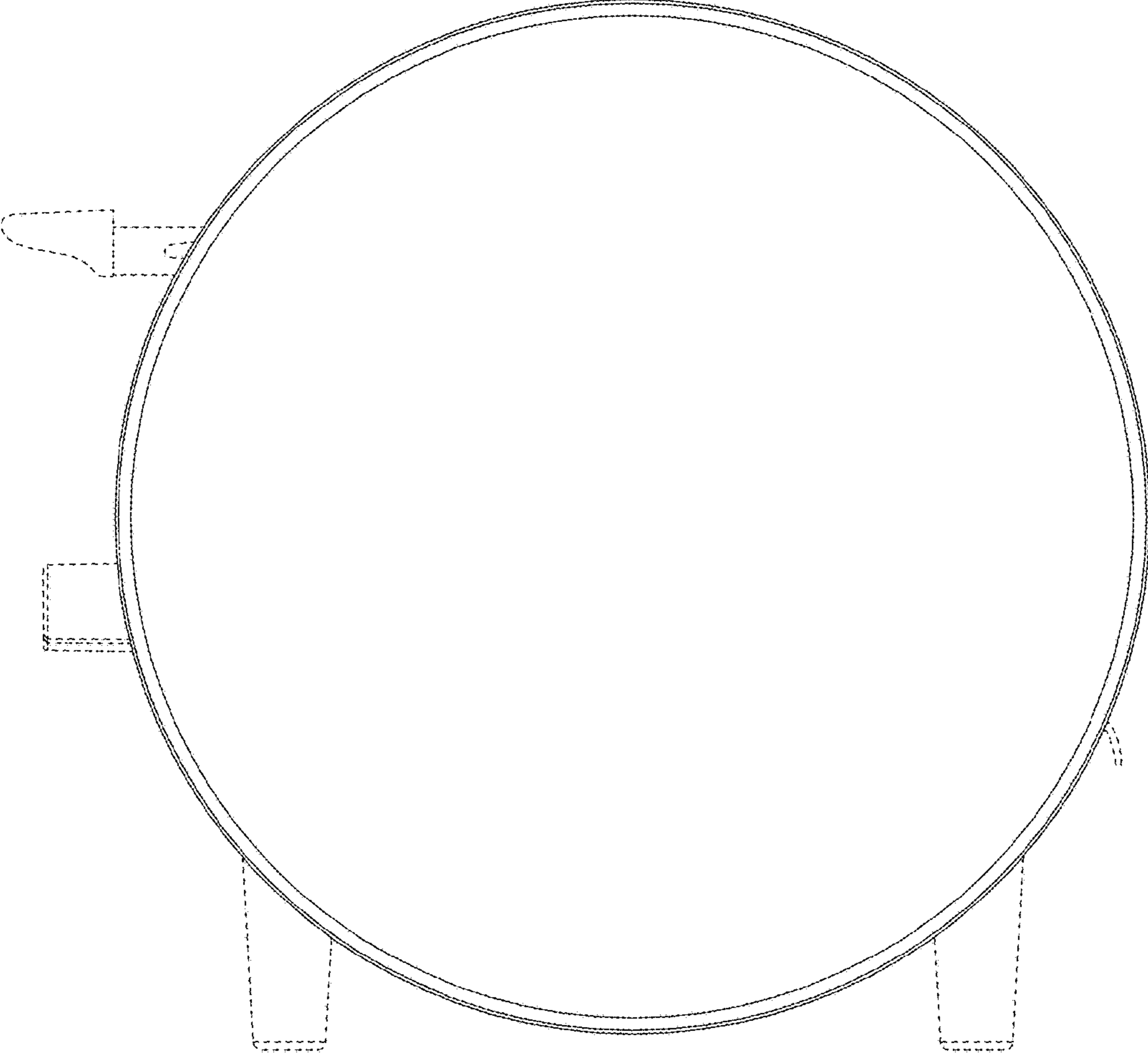


FIG. 3

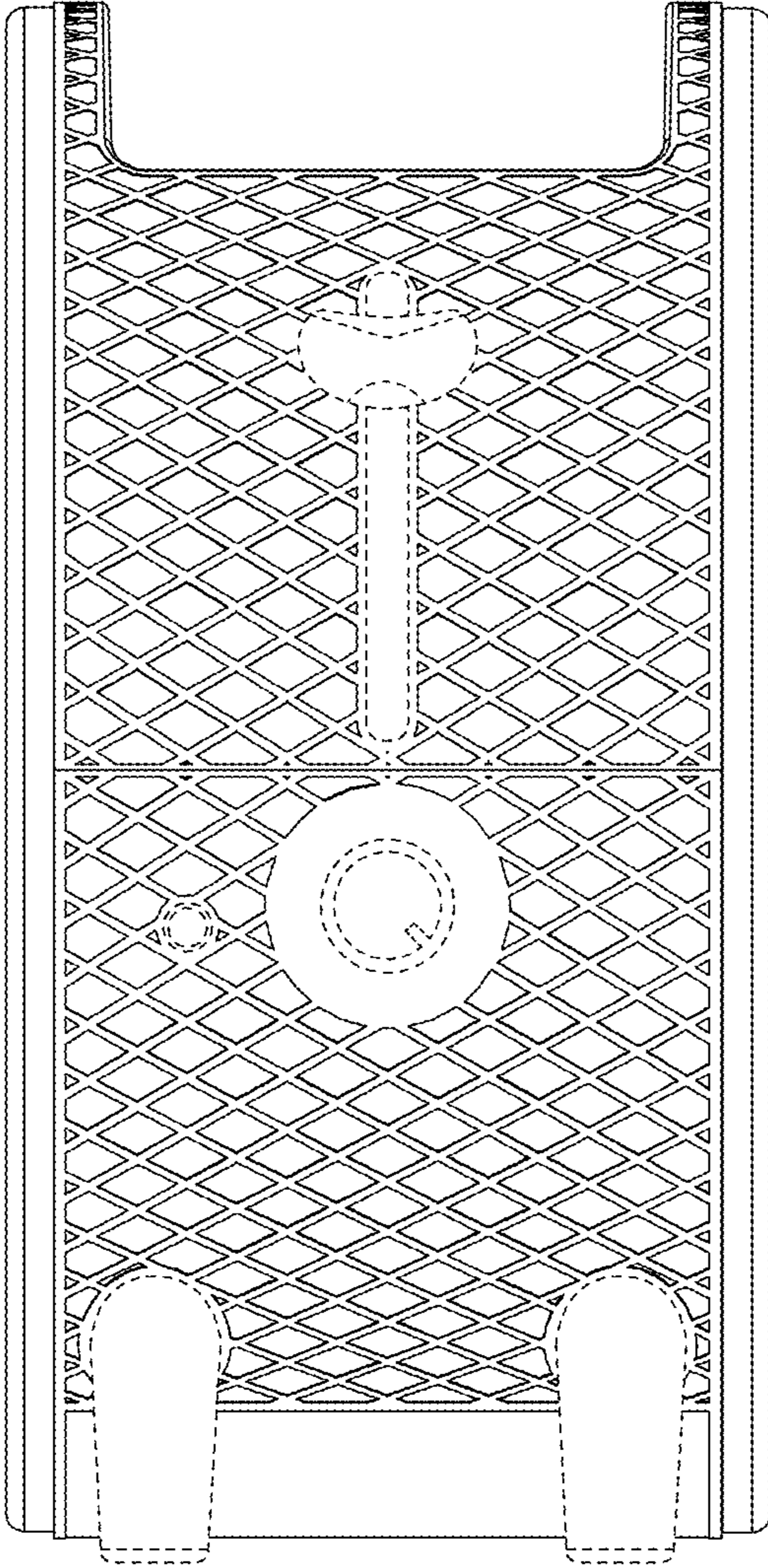


FIG. 4

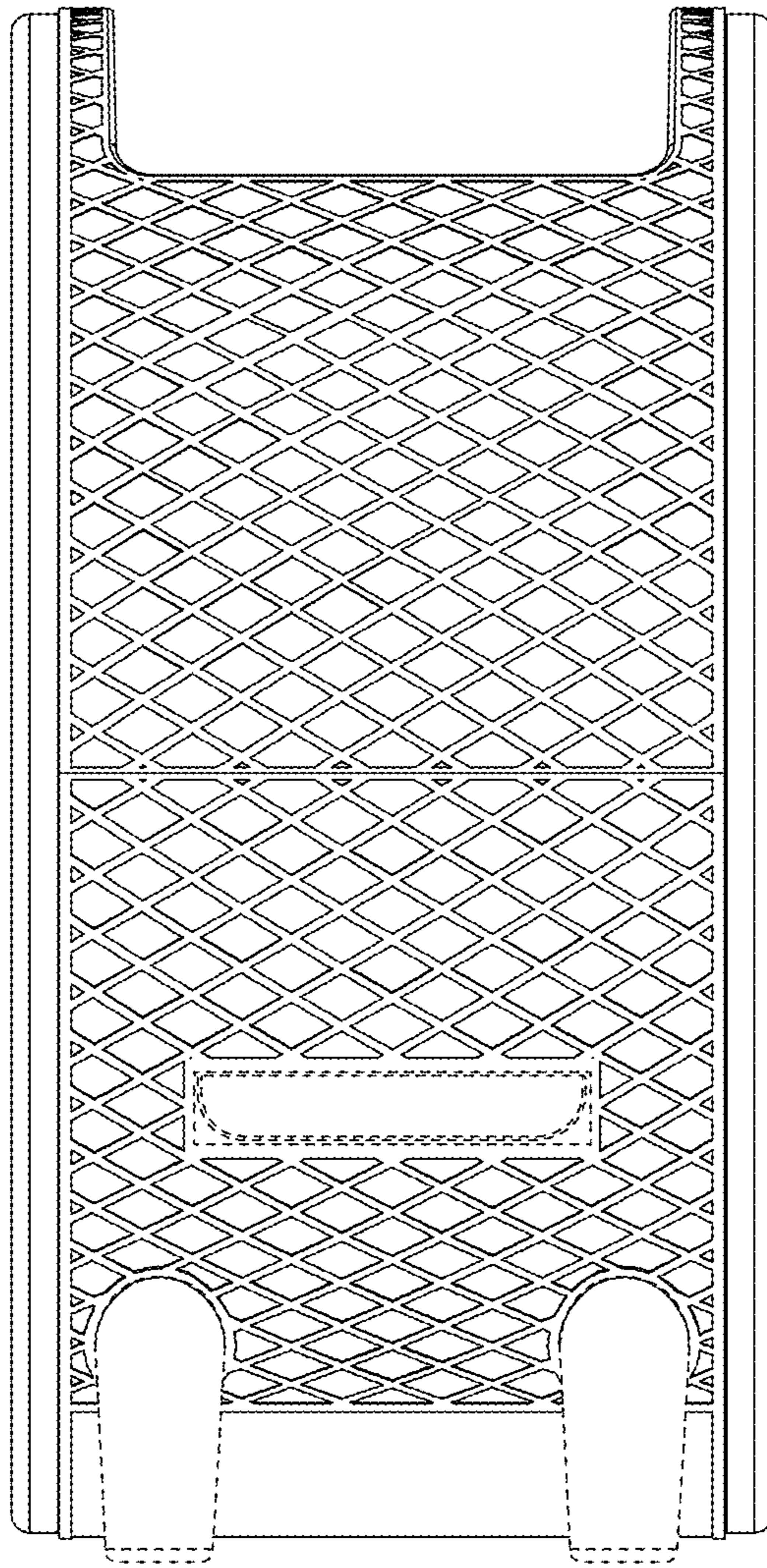


FIG. 5

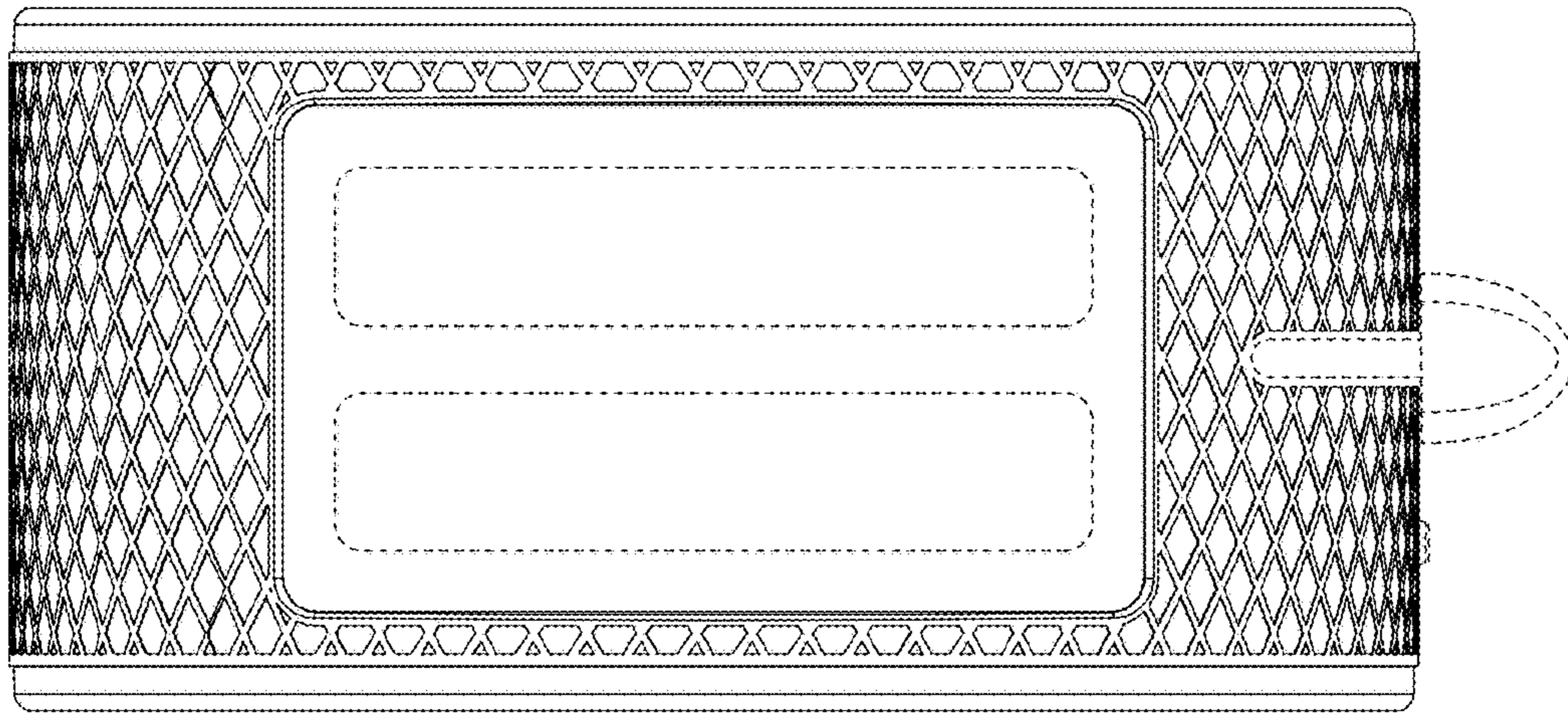


FIG. 6

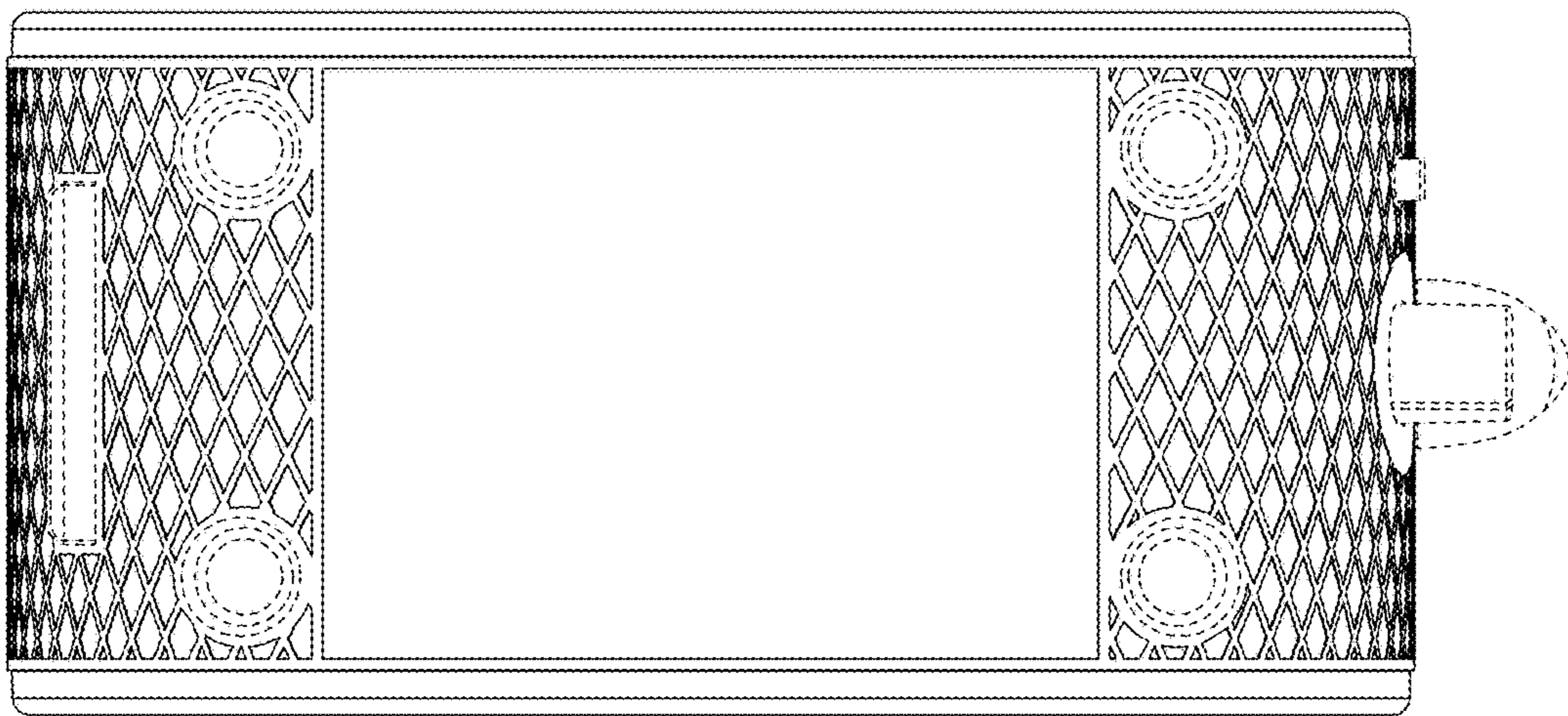


FIG. 7