



US00D798092S

(12) **United States Design Patent** (10) **Patent No.:** **US D798,092 S**
Pan (45) **Date of Patent:** **** Sep. 26, 2017**

(54) **BACKREST FOR A CHAIR**
 (71) Applicant: **Oasyschair Co., Ltd.**, Tainan (TW)
 (72) Inventor: **Toung-Chun Pan**, Tainan (TW)
 (73) Assignee: **Oasyschair Co., Ltd.**, Tainan (TW)
 (**) Term: **15 Years**

D541,062 S * 4/2007 Su D6/366
 7,344,194 B2 * 3/2008 Maier A47C 7/46
 297/284.4
 D576,814 S * 9/2008 Baldanzi D6/366
 D641,573 S * 7/2011 Tsai D6/716.4
 D652,647 S * 1/2012 Schaack D6/366
 D683,552 S * 6/2013 Wu D6/366
 D683,574 S * 6/2013 Su D6/366
 D703,966 S * 5/2014 Wu D6/366
 D763,587 S * 8/2016 Neil D6/366
 D767,320 S * 9/2016 Xingchang D6/716.4

(21) Appl. No.: **29/590,197**

* cited by examiner

(22) Filed: **Jan. 9, 2017**

Primary Examiner — Mimosa De

(51) **LOC (10) Cl.** **06-01**

(74) *Attorney, Agent, or Firm* — Alan D. Kamrath;
Kamrath IP Lawfirm, P.A.

(52) **U.S. Cl.**
USPC **D6/716.4**; D6/366

(57) **CLAIM**

(58) **Field of Classification Search**
 USPC D6/334–336, 364, 365, 366, 374, 379,
 D6/380, 716, 716.4
 CPC .. A47C 7/38; A47C 7/022; A47C 7/40; A47C
 7/004; A47C 7/46; A47C 7/462; A47C
 7/467; B60N 2/66
 See application file for complete search history.

The ornamental design for backrest for a chair, as shown and described.

DESCRIPTION

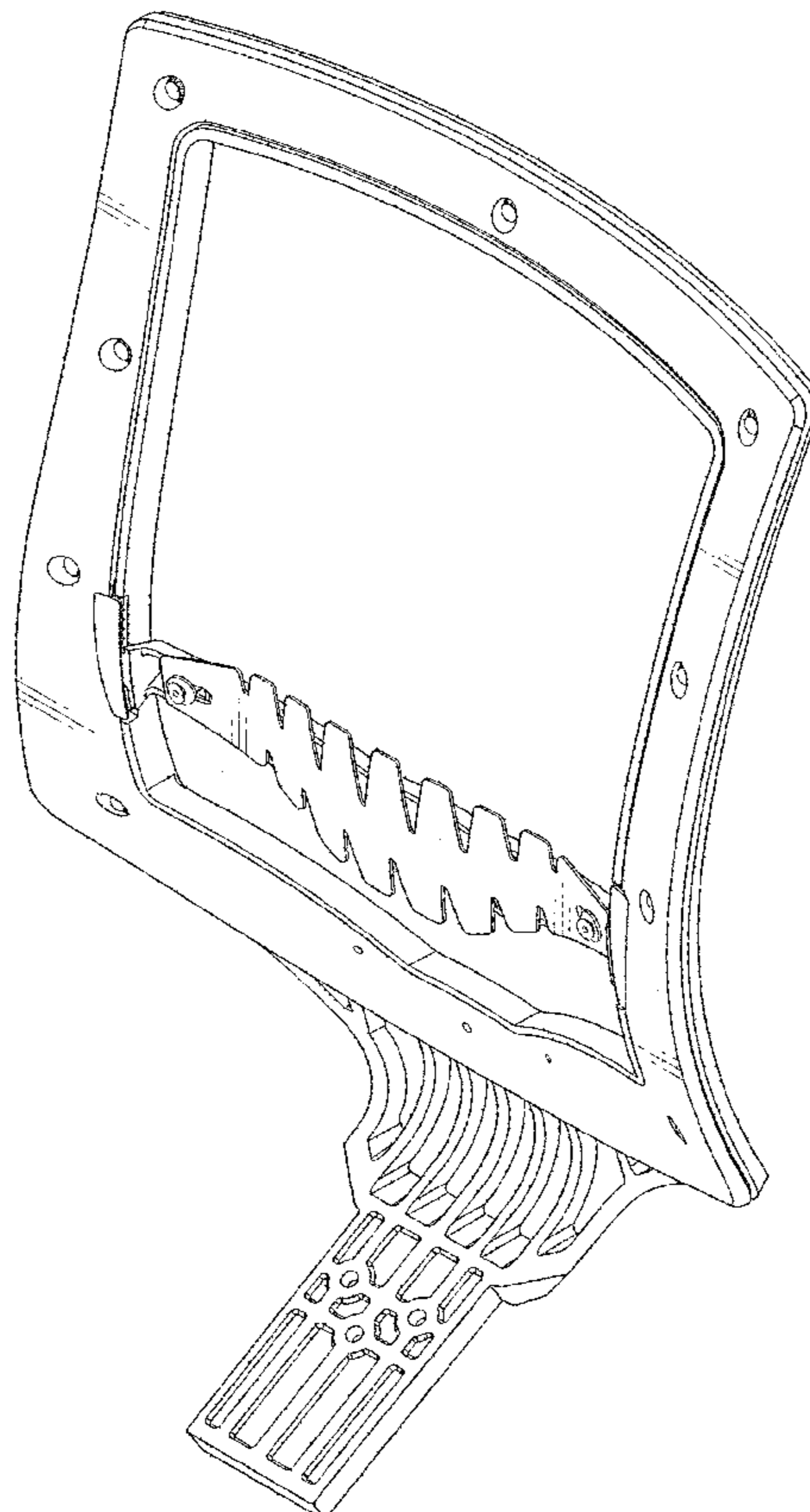
(56) **References Cited**

FIG. 1 is a perspective view of backrest for a chair showing my new design;
 FIG. 2 is a front side elevational view thereof;
 FIG. 3 is a rear side elevational view thereof;
 FIG. 4 is a right side elevational view thereof, with the left side elevational view being a mirror image thereof;
 FIG. 5 is a top plan view thereof; and,
 FIG. 6 is a bottom plan view thereof.

U.S. PATENT DOCUMENTS

D446,397 S * 8/2001 Pennington D6/366
 D497,501 S * 10/2004 Saylor D6/716.4
 D540,580 S * 4/2007 Su D6/366

1 Claim, 5 Drawing Sheets



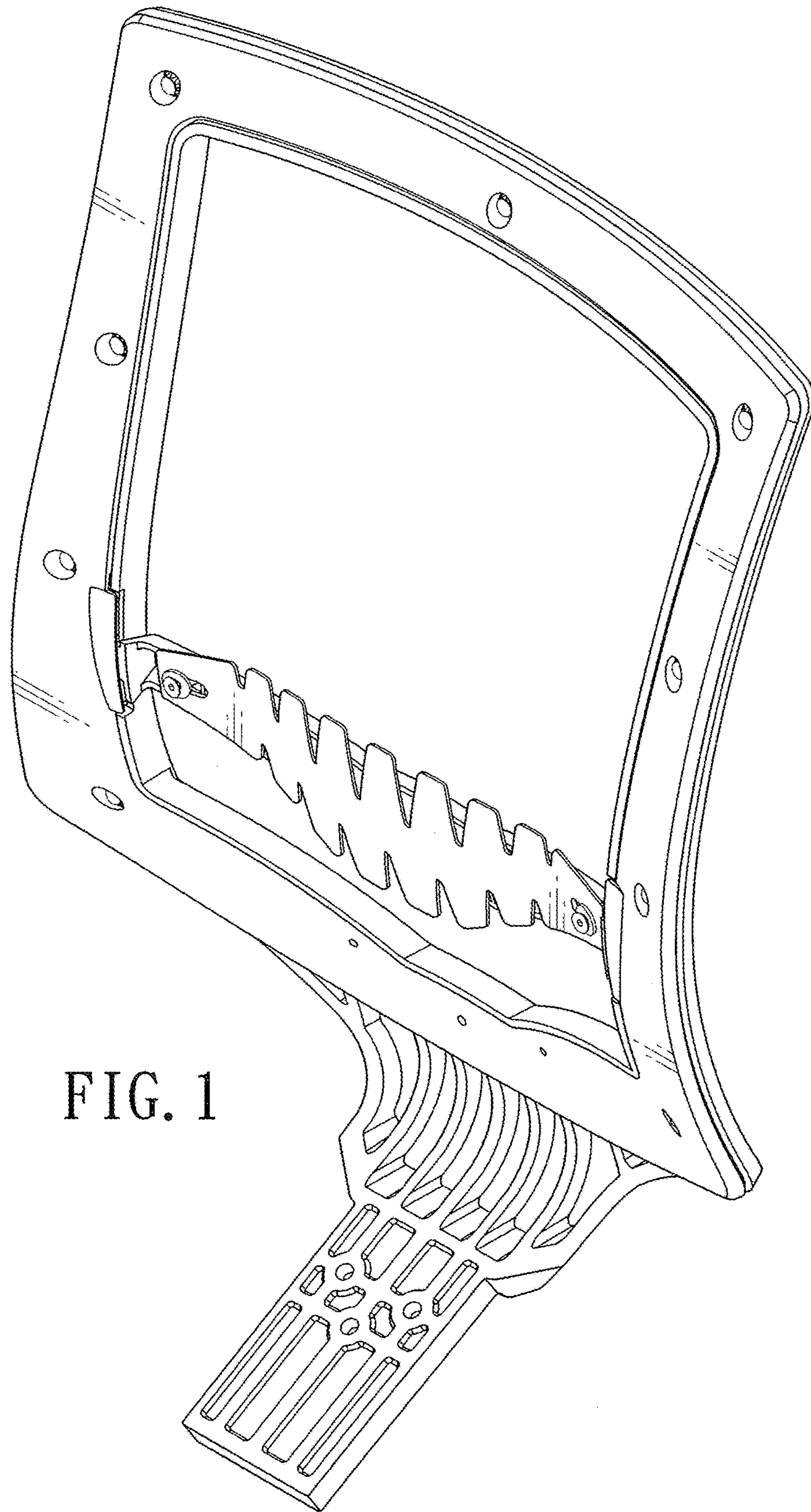


FIG. 1

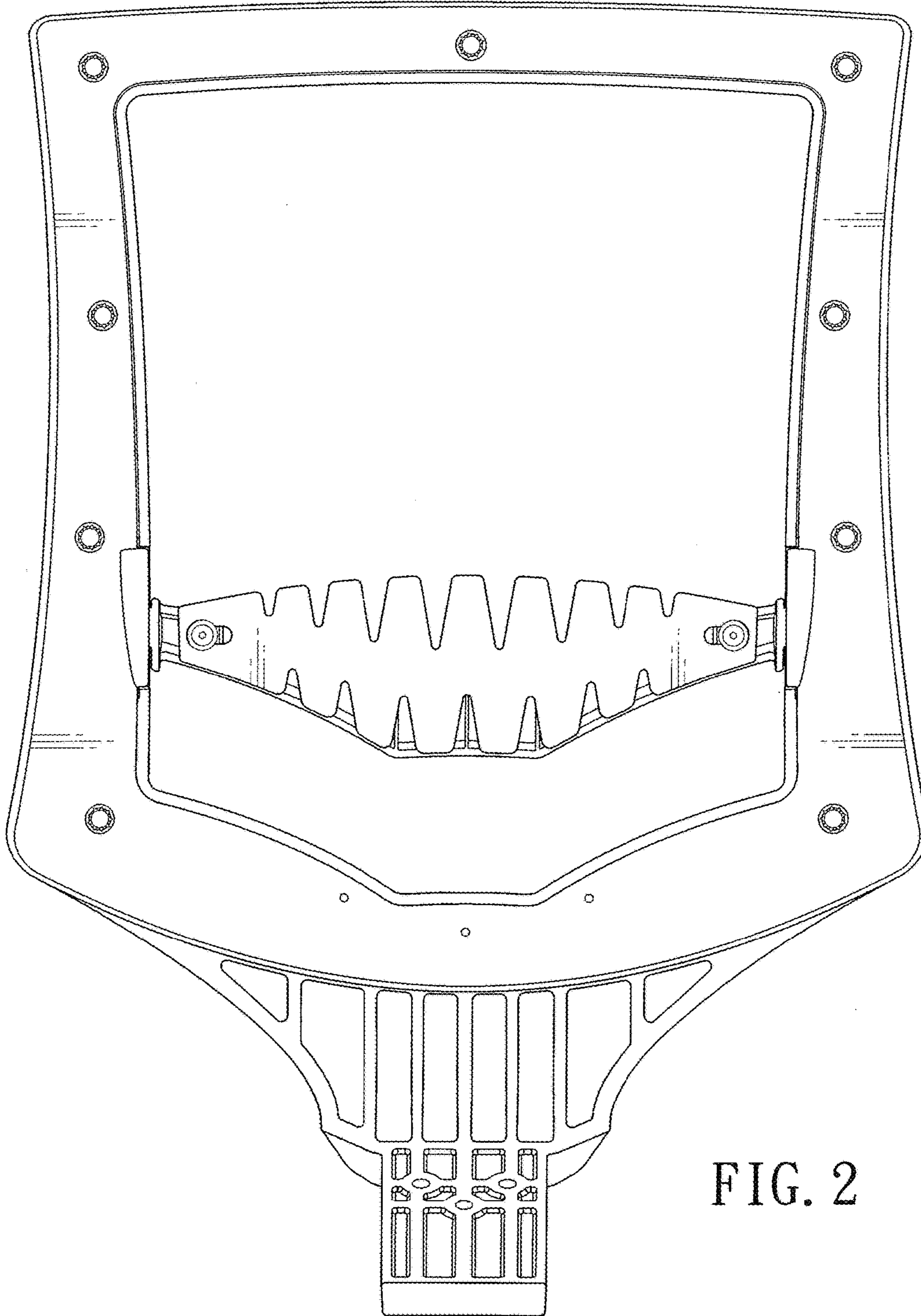


FIG. 2

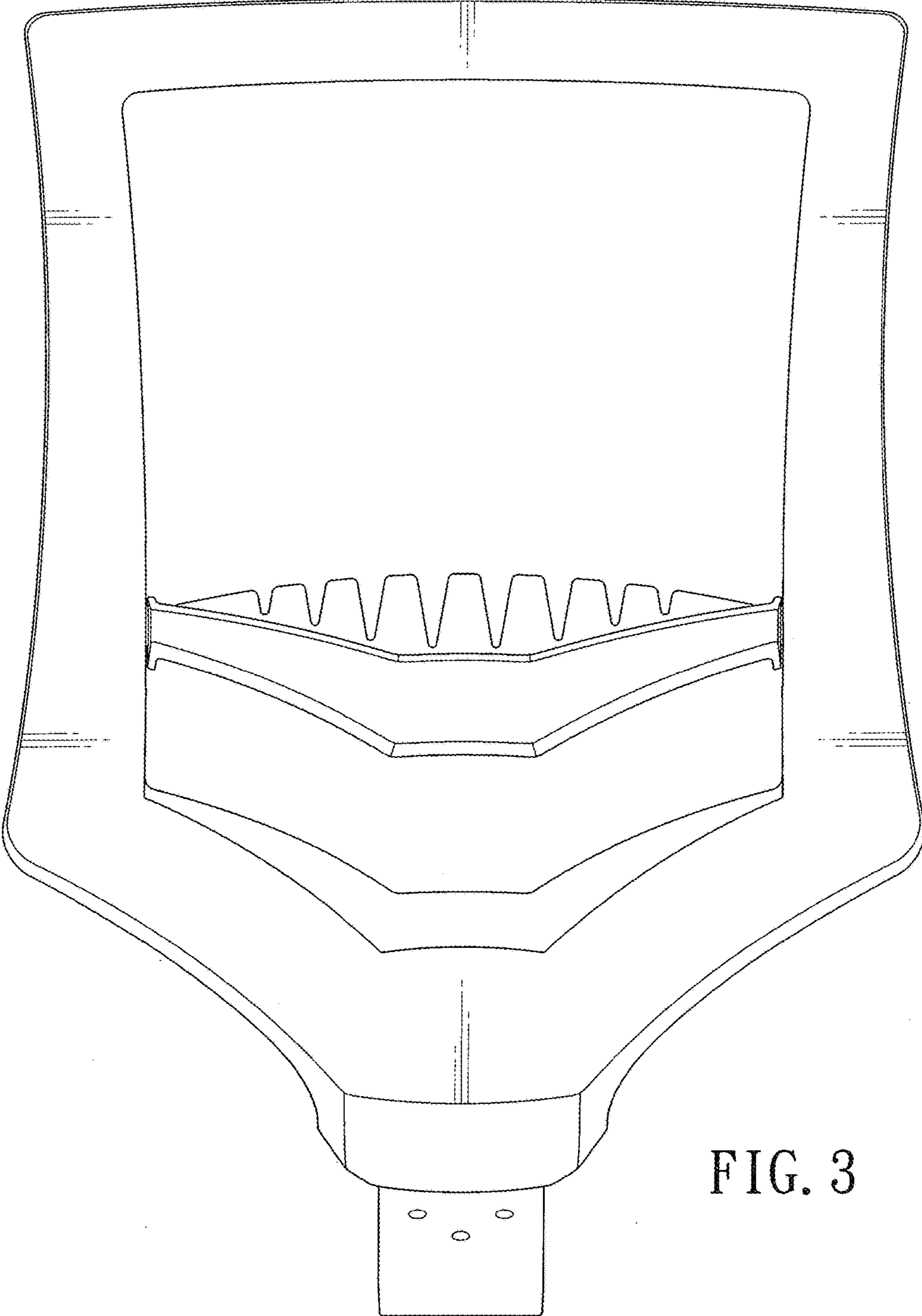


FIG. 3

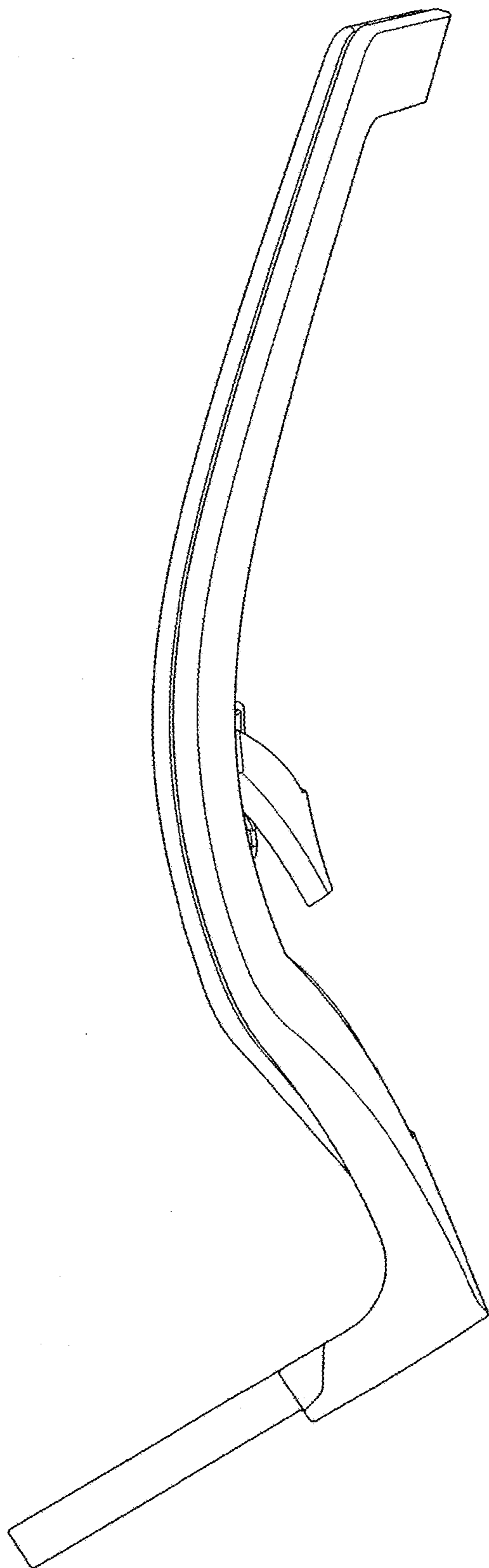


FIG. 4

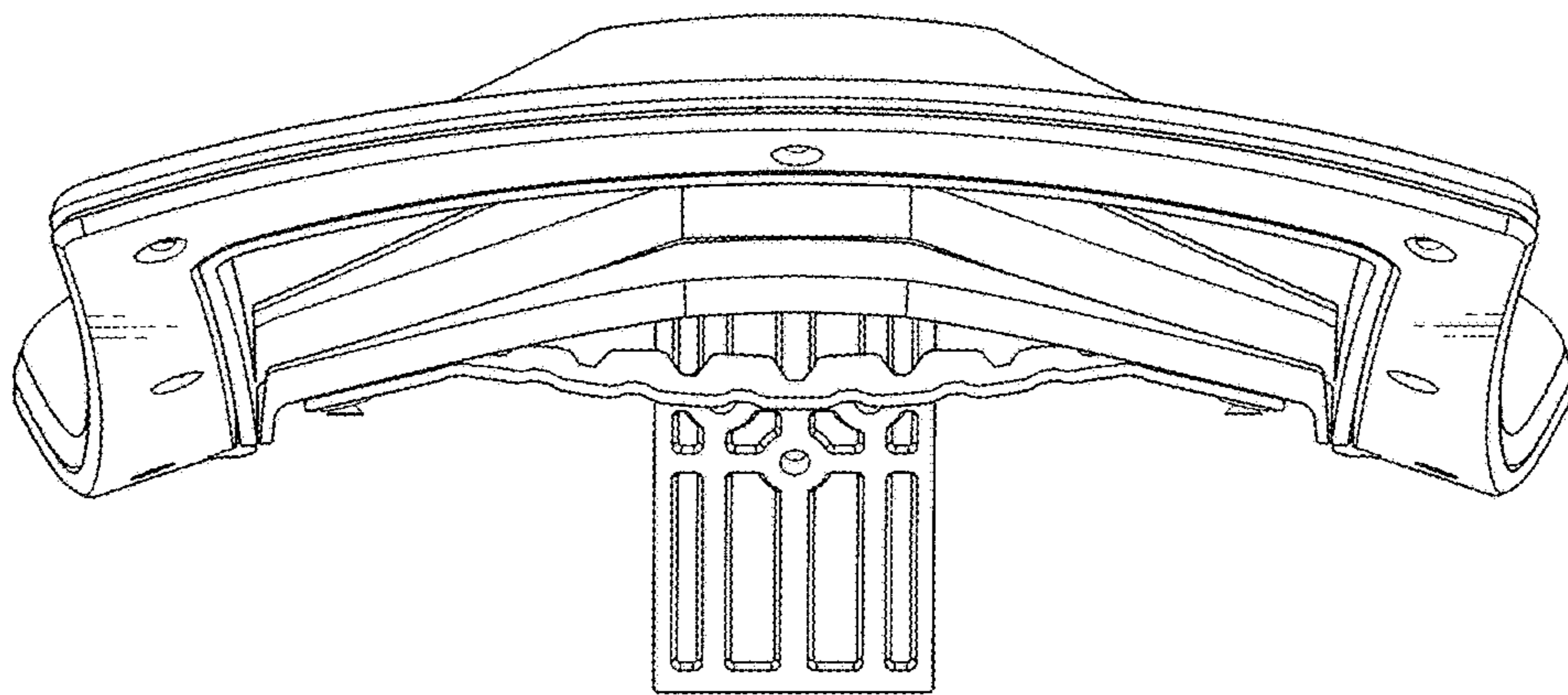


FIG. 5

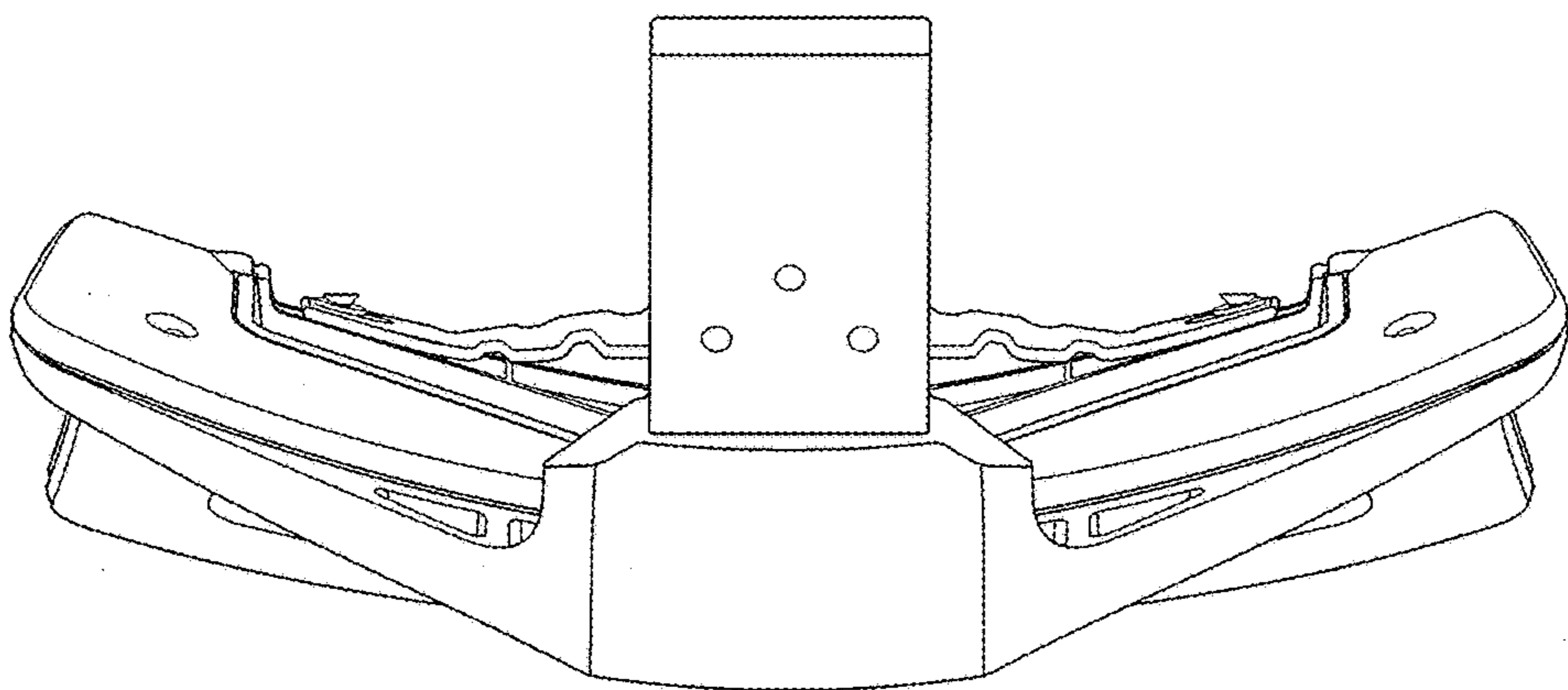


FIG. 6