



US00D798089S

(12) **United States Design Patent** (10) **Patent No.:** **US D798,089 S**
Gibbs (45) **Date of Patent:** **** Sep. 26, 2017**

(54) **HINGED BATHTUB TABLE**
(71) Applicant: **TUBBY TABLE TOYS, INC.**, Oak Park, CA (US)
(72) Inventor: **Julie Gibbs**, Oak Park, CA (US)
(73) Assignee: **TUBBY TABLE TOYS, INC.**, Oak Park, CA (US)
(**) Term: **15 Years**

D214,928 S * 8/1969 Swett 434/259
3,760,511 A * 9/1973 Matsumoto A63F 9/00
434/259
D237,563 S * 11/1975 Gerber D21/397
D245,382 S * 8/1977 Hughes D6/695
D250,684 S * 1/1979 Van Sant D6/695.4
D256,856 S * 9/1980 Kleinman D21/783
D285,760 S * 9/1986 Milling D6/695.2
D291,394 S * 8/1987 Dunwell D6/695
5,314,338 A * 5/1994 Caveza G09B 19/00
434/259
D398,132 S * 9/1998 Thesken D6/695.2
(Continued)

(21) Appl. No.: **29/558,169**

(22) Filed: **Mar. 15, 2016**

(51) **LOC (10) Cl.** **06-03**

(52) **U.S. Cl.**
USPC **D6/695; D21/474**

(58) **Field of Classification Search**
USPC D6/641, 671, 675, 677, 685, 687, 690,
D6/691, 691.1, 691.2, 691.3, 691.4,
D6/691.5, 691.9, 693, 695, 695.2, 696,
D6/696.1, 697, 697.1, 698, 699, 699.2,
D6/703, 707, 708, 709, 709.2, 709.21;
D21/324, 335, 341, 432, 363, 468, 470,
D21/471, 473-476, 478, 480, 522
CPC A47B 7/00; A47B 13/08; A47B 13/10;
A47B 21/00; A47B 2009/006; A47B
11/00; A63H 23/00; A63H 23/005; A63H
23/10; A63H 5/00; A63H 33/00; A63H
33/006; A63H 33/08; A63H 33/086;
A63H 33/30
See application file for complete search history.

(56) **References Cited**

U.S. PATENT DOCUMENTS

741,903 A * 10/1903 Gates A63F 9/06
273/153 R
D153,560 S * 4/1949 Satterthwaite D21/470
3,049,387 A * 8/1962 Schlegel A47B 3/087
108/127
D211,583 S * 7/1968 Schaefer D6/695

OTHER PUBLICATIONS

Tubby Table: Bath Tub Table for Kids {Review}[online]. One Smiley Monkey, Oct. 10, 2015 [retrieved on Mar. 22, 2017]. Retrieved from the Internet:<<http://www.onesmileymonkey.com/reviews/toys-2/tubby-table-bath-tub-table-for-kids-review/>>.*

Primary Examiner — Mary Ann Calabrese
Assistant Examiner — Sloan Rozin
(74) *Attorney, Agent, or Firm* — Hankin Patent Law, APC; Kevin Schraven; Anooj Patel

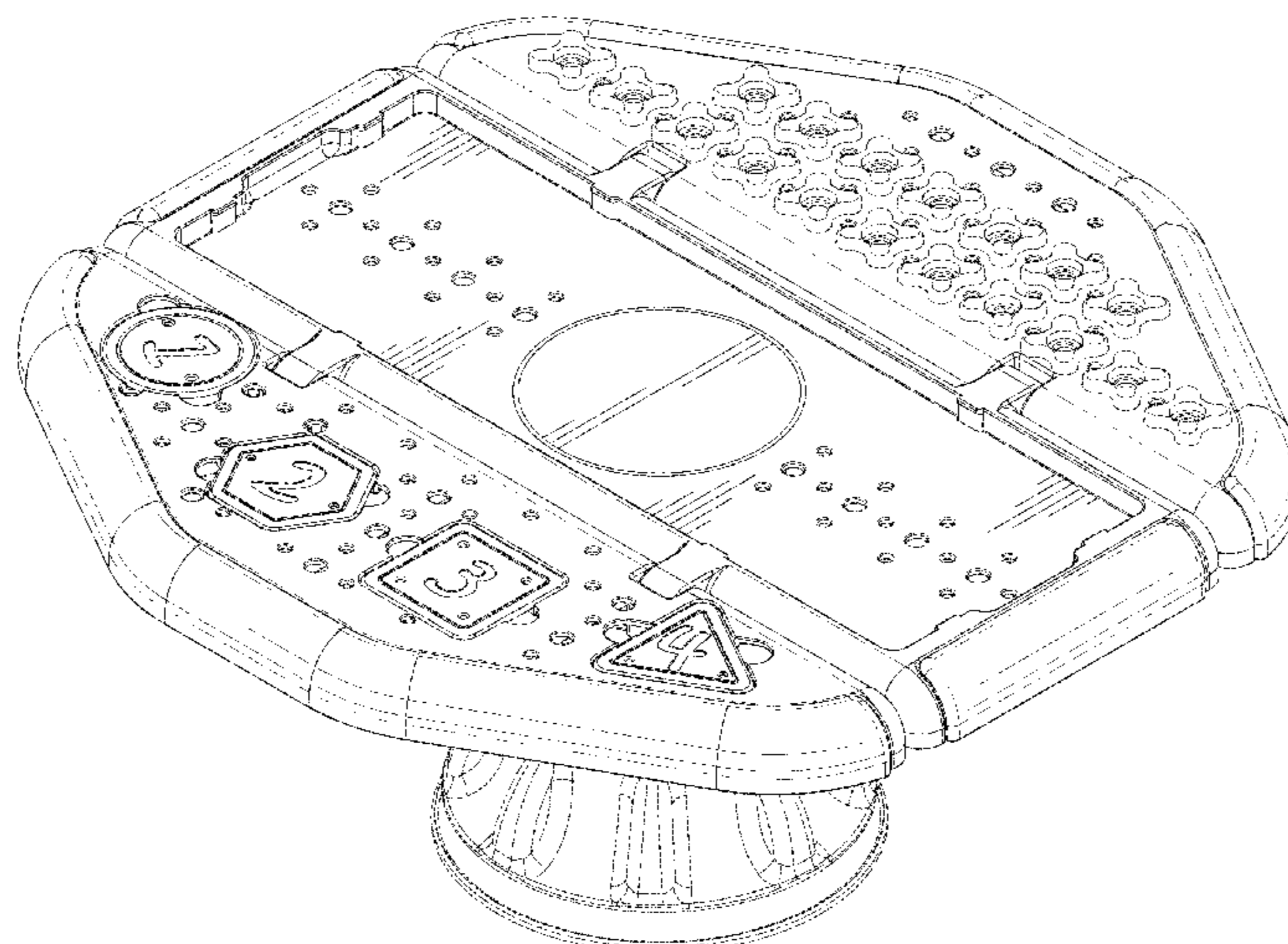
(57) **CLAIM**

The ornamental design for a hinged bathtub table, as shown and described.

DESCRIPTION

FIG. 1 is a top perspective assembled view of a hinged bathtub table, showing my new design.
FIG. 2 is a right side elevational view thereof.
FIG. 3 is a left side elevational view thereof.
FIG. 4 is a front elevational view thereof.
FIG. 5 is a rear elevational view thereof.
FIG. 6 is a top plan view thereof; and,
FIG. 7 is a bottom plan view thereof.
The broken lines are for the purpose of illustrating environmental structure and form no part of the claimed design.

1 Claim, 7 Drawing Sheets



(56)

References Cited

U.S. PATENT DOCUMENTS

D400,937 S * 11/1998 Lun D21/478
D454,449 S * 3/2002 Hautog D6/644
D466,264 S * 11/2002 Sierra, II D34/1
6,755,713 B1 * 6/2004 Weber A63H 5/00
446/143
D573,617 S * 7/2008 Pinchot D15/139
D676,263 S * 2/2013 Birke D6/695
D685,207 S * 7/2013 Gibbs D6/692.3
D704,276 S * 5/2014 Carmack D21/405
D712,490 S * 9/2014 Gibbs D21/522
D717,883 S * 11/2014 Chase D21/455
D737,905 S * 9/2015 Klemm D21/480
D749,797 S * 2/2016 Muhlbauer D21/478
D760,001 S * 6/2016 Carver D6/695
9,403,084 B2 * 8/2016 Klemm A63F 9/10
D771,751 S * 11/2016 Moscatelli D21/386

* cited by examiner

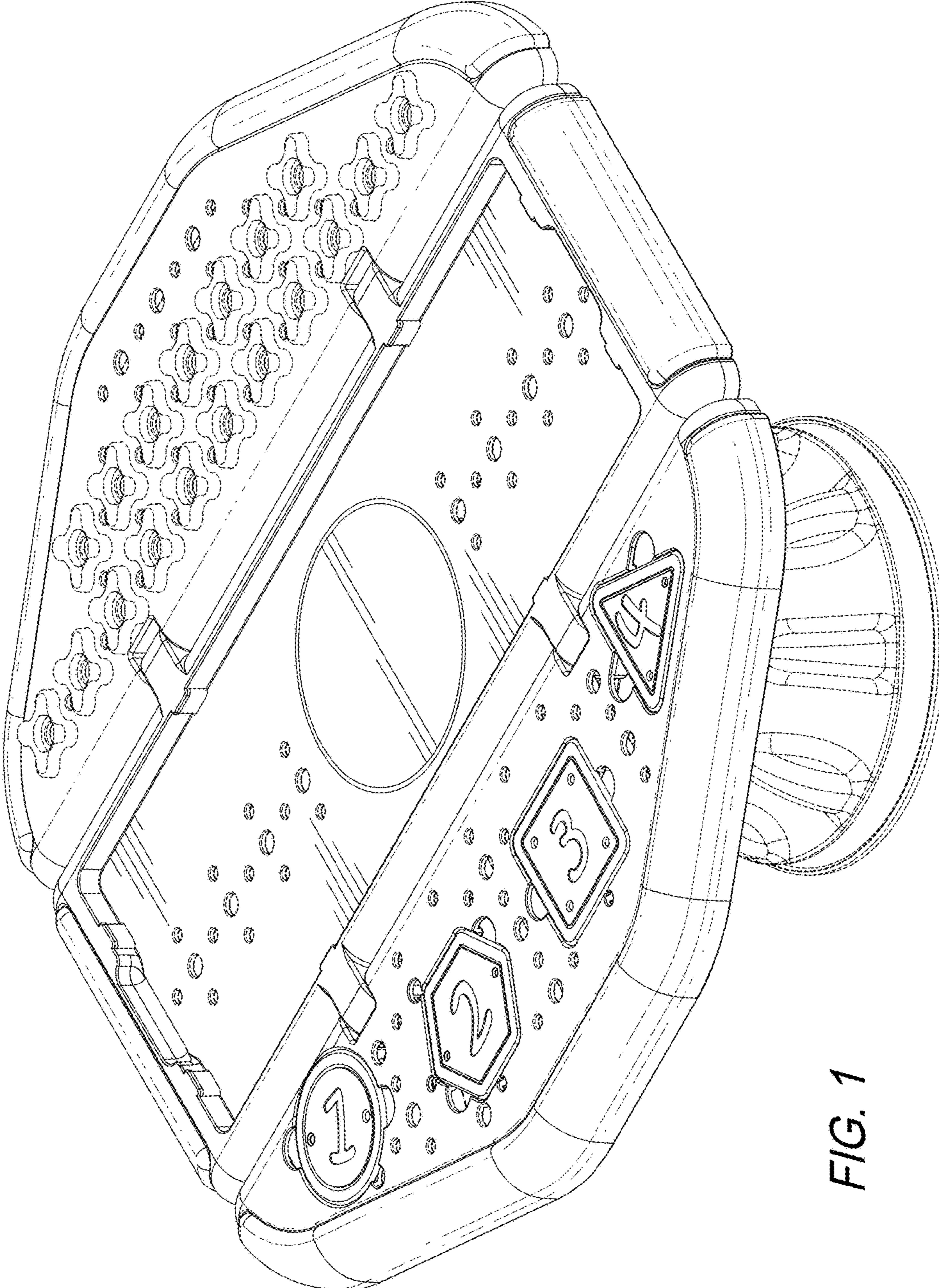


FIG. 1

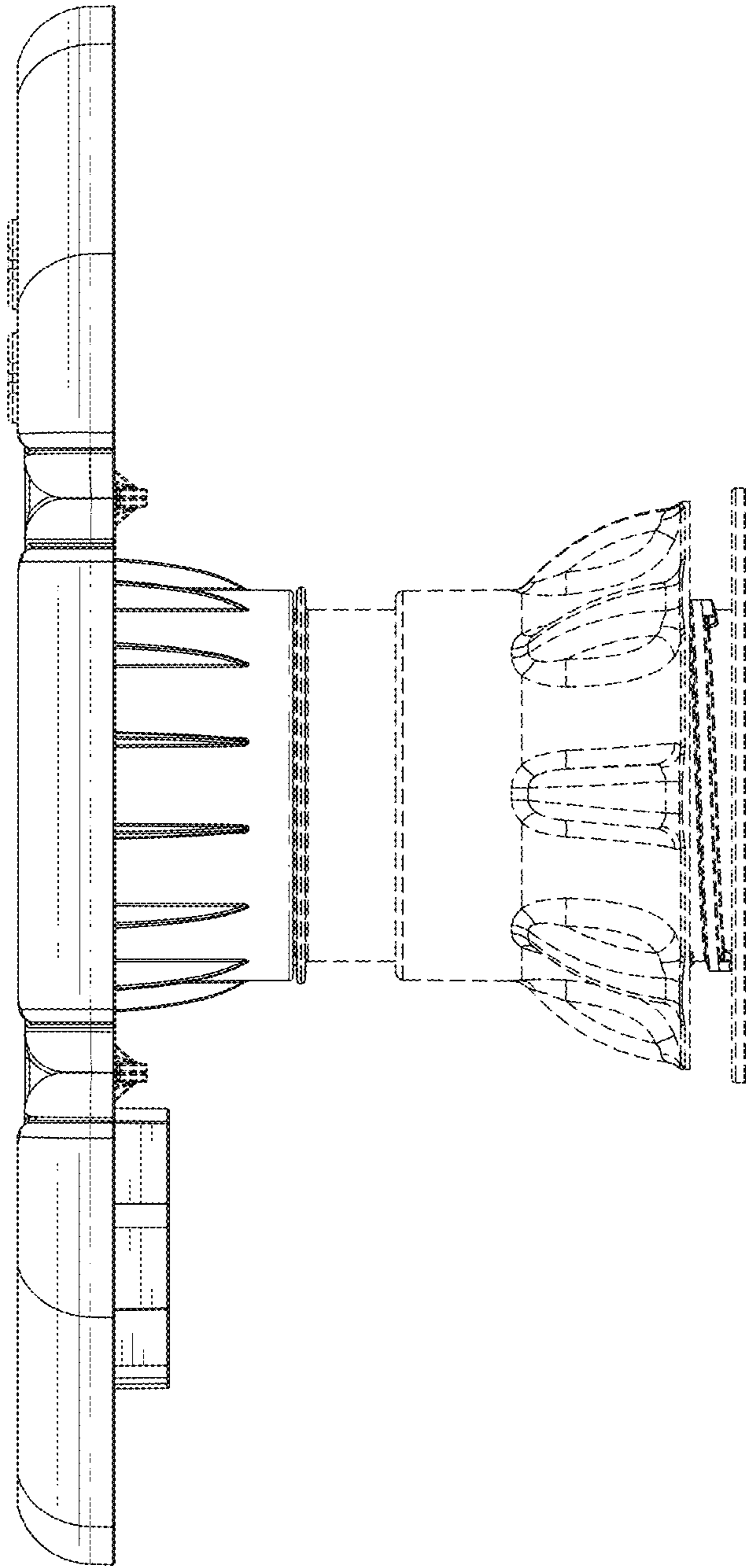


FIG. 2

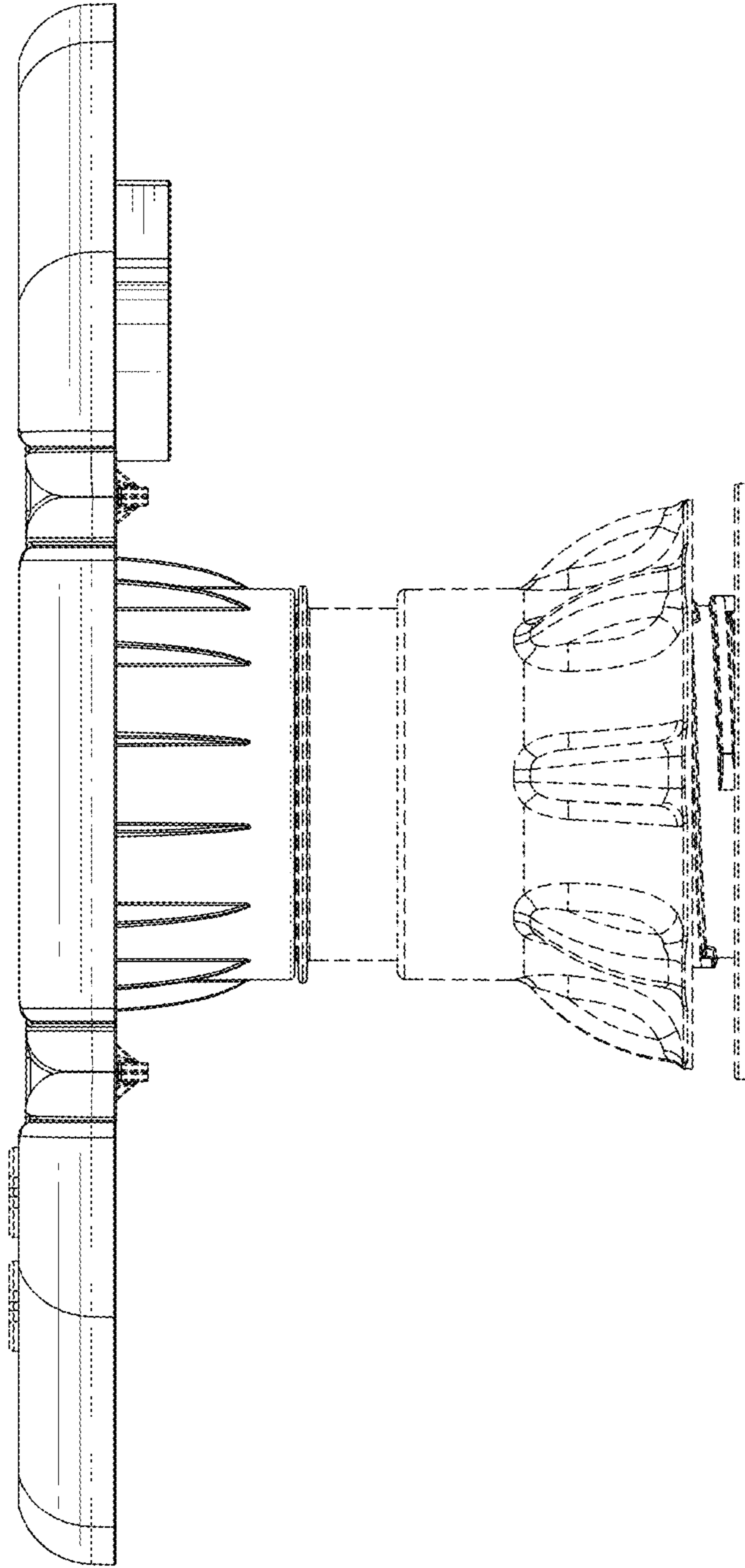


FIG. 3

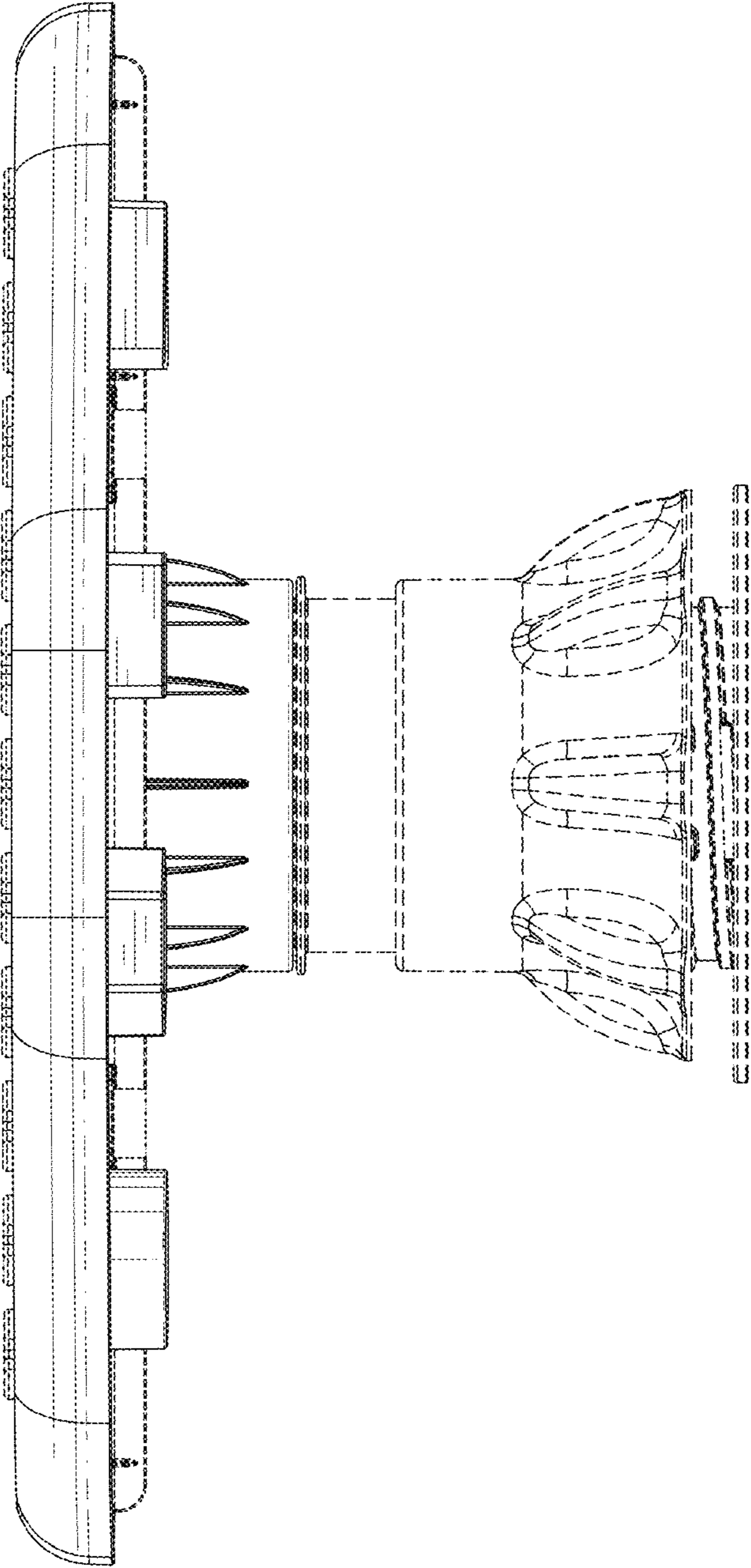


FIG. 4

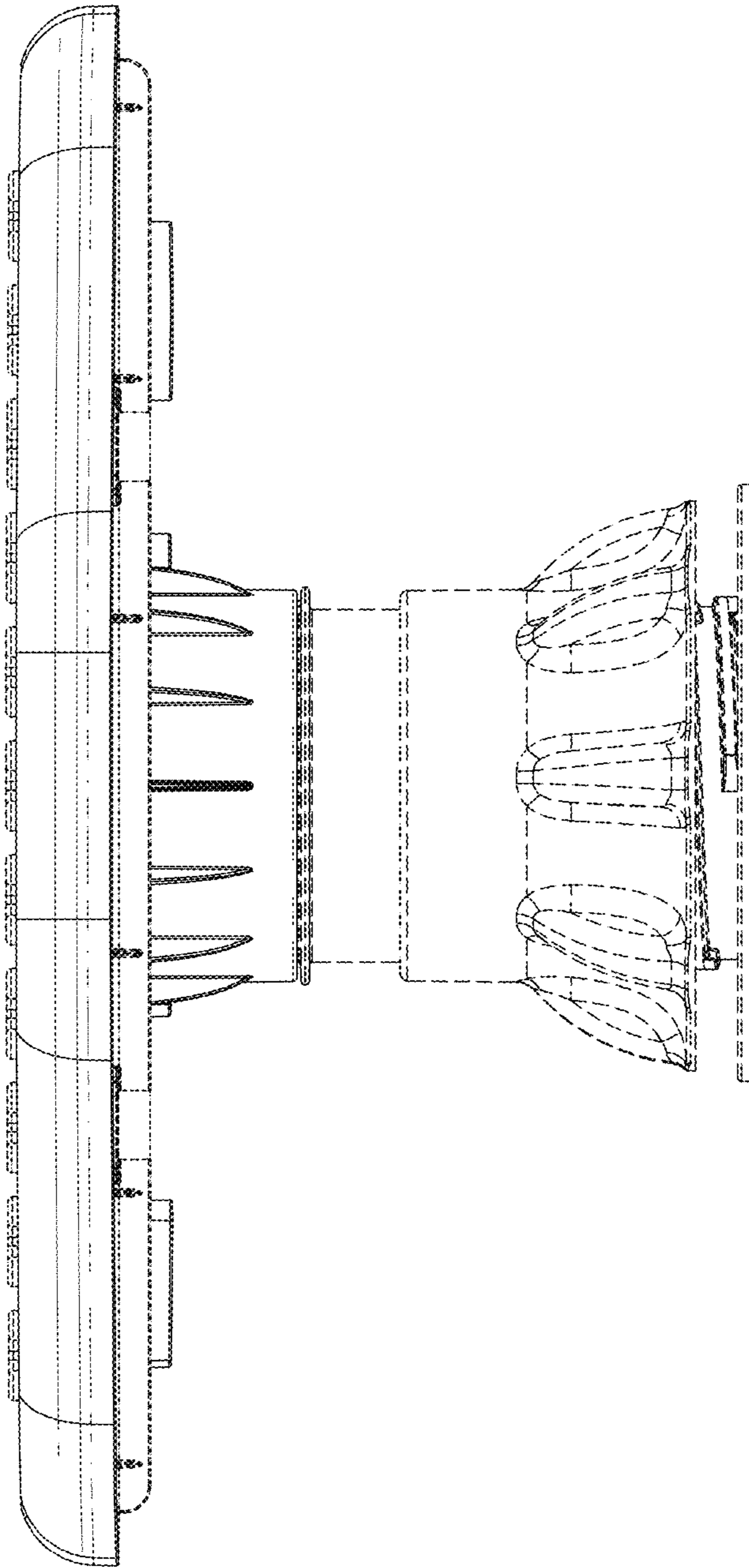


FIG. 5

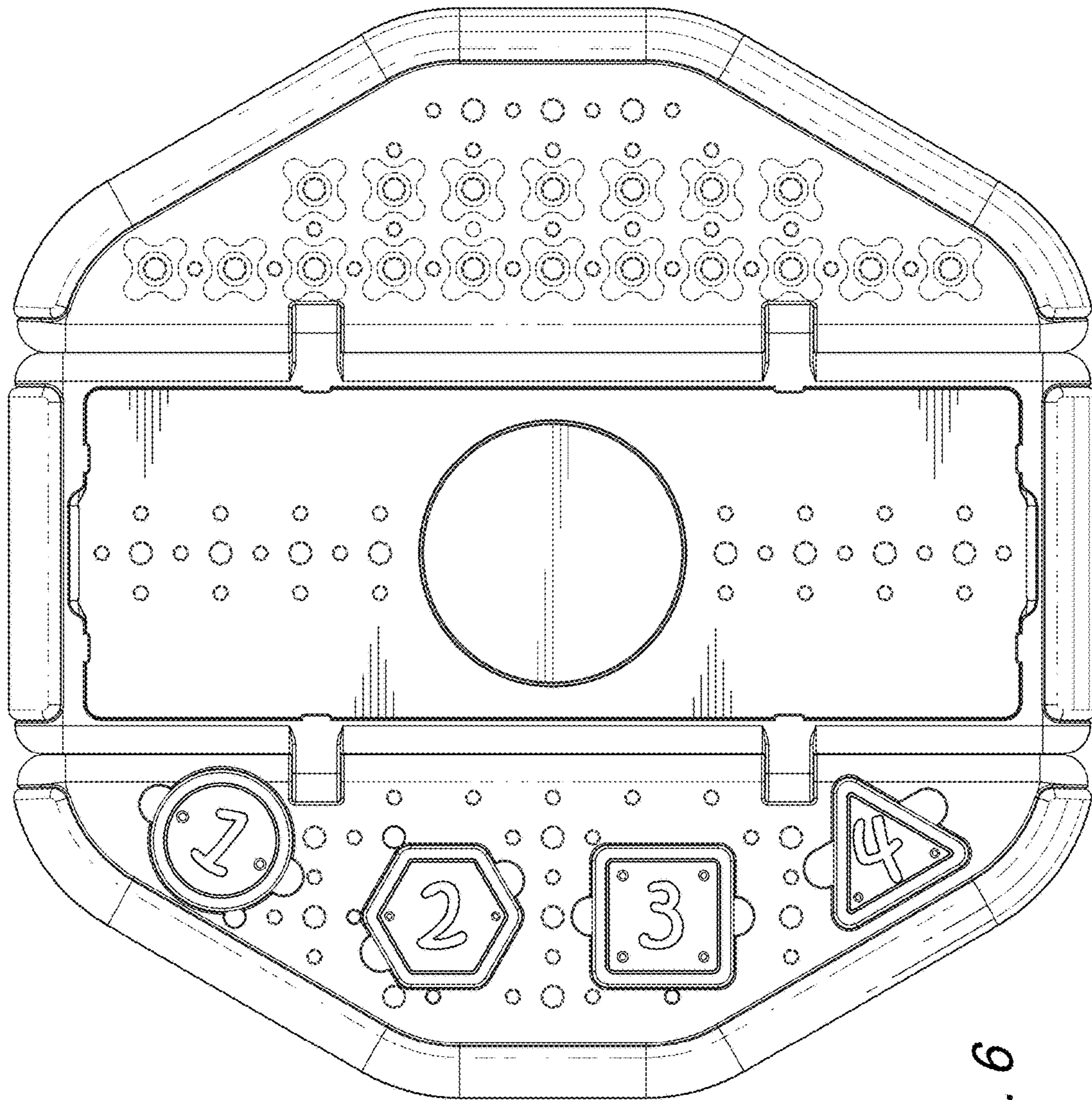


FIG. 6

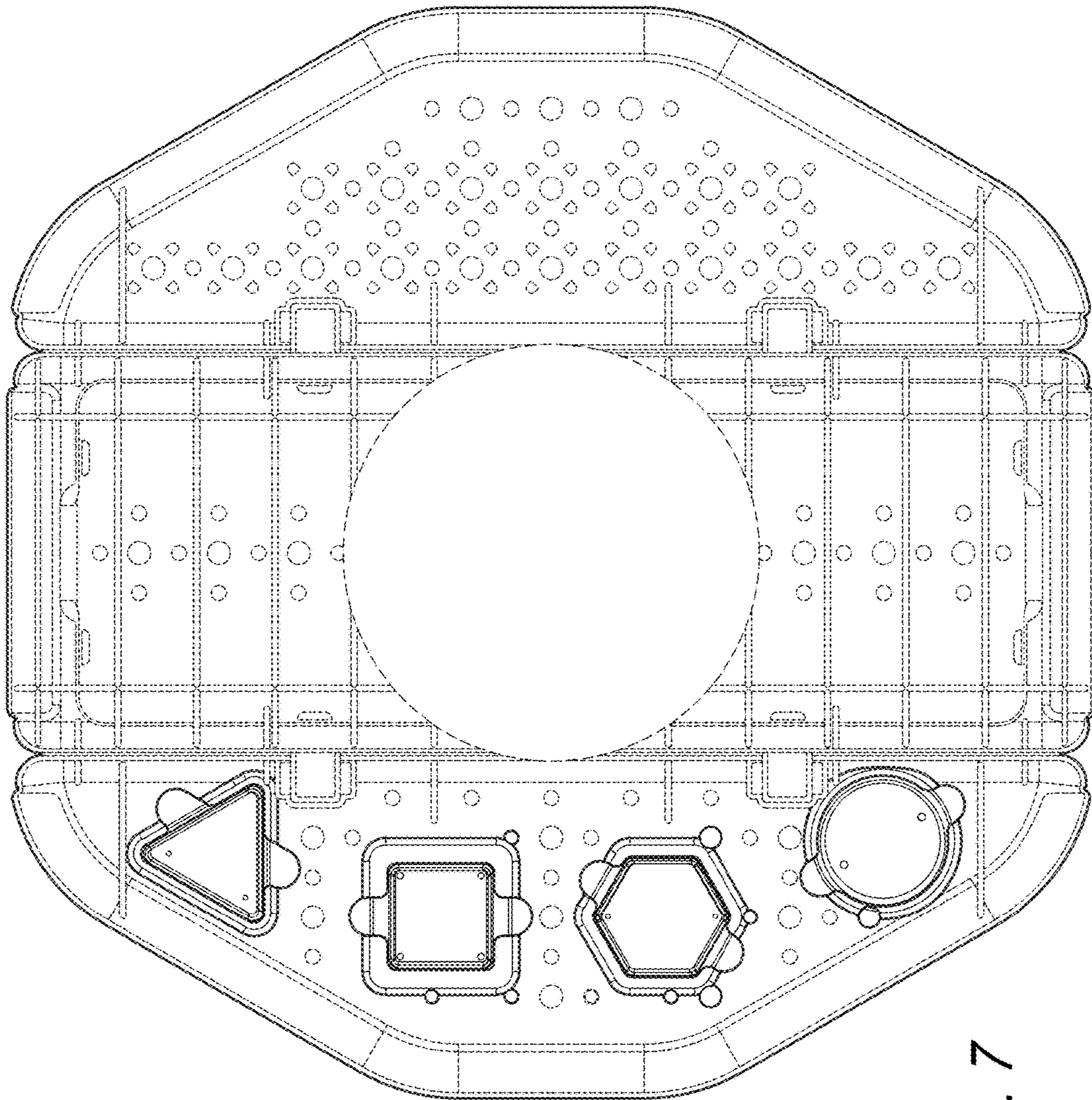


FIG. 7