



US00D798088S

(12) **United States Design Patent** (10) **Patent No.:** **US D798,088 S**
Giacometti (45) **Date of Patent:** **** Sep. 26, 2017**

(54) **KITCHEN FURNITURE ASSEMBLY**

(71) Applicant: **Antonio Giacometti**, Imola (IT)

(72) Inventor: **Antonio Giacometti**, Imola (IT)

(**) Term: **15 Years**

(21) Appl. No.: **29/567,349**

(22) Filed: **Jun. 8, 2016**

(51) **LOC (10) Cl.** **20-02**

(52) **U.S. Cl.**
USPC **D6/680.2**

(58) **Field of Classification Search**
USPC D6/675-675.3, 677, 678, 678.2, 680.2
CPC Y10T 403/55; A47F 5/04
See application file for complete search history.

(56) **References Cited**

U.S. PATENT DOCUMENTS

D76,386 S *	9/1928	Friedemann	211/37
1,788,096 A *	1/1931	Friedemann	A47F 5/04 108/96
2,143,592 A *	1/1939	Baldeck	A47F 5/04 211/134
D141,487 S *	6/1945	Burlin	D6/677.4
3,479,990 A *	11/1969	Crow	A01K 15/024 108/151
3,543,699 A *	12/1970	Leikarts	A47F 5/06 108/103

D236,054 S *	7/1975	Ginat	D34/21
D249,313 S *	9/1978	Ganz	D6/680.2
D275,154 S *	8/1984	Stoiber	D6/677.1
D290,203 S *	6/1987	Berry, Jr.	D6/678.2
D302,889 S *	8/1989	Goodwin	D34/20
D383,923 S *	9/1997	Muller-Deisig	D6/678.2
D419,334 S *	1/2000	Talbot	D6/675.1
7,584,973 B2 *	9/2009	Brager	B25H 3/026 108/141

* cited by examiner

Primary Examiner — Mark Goodwin

Assistant Examiner — Melvin Davis

(74) *Attorney, Agent, or Firm* — Ware, Fressola, Maguire & Barber LLP

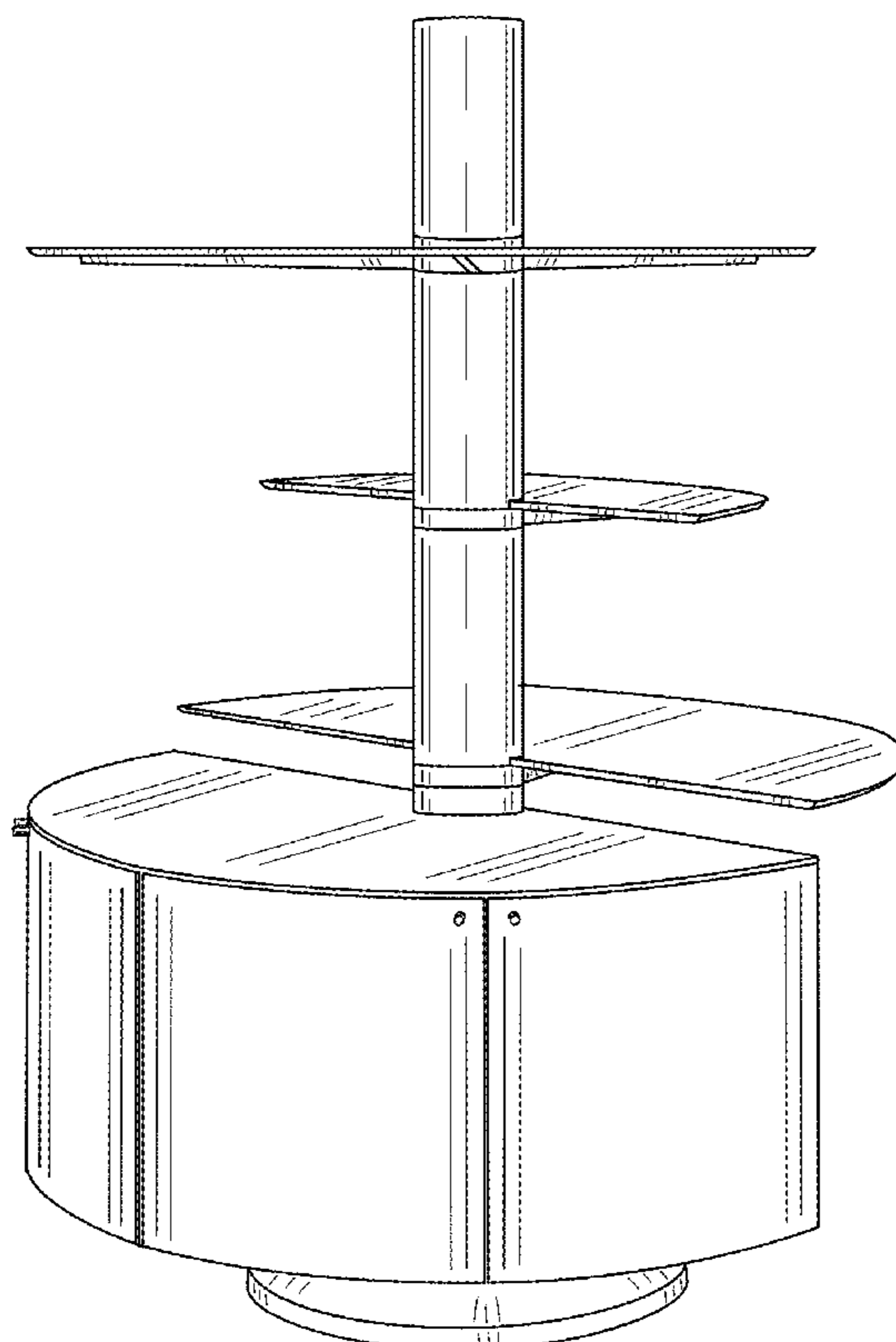
(57) **CLAIM**

I claim the ornamental design for kitchen furniture assembly, as shown and described.

DESCRIPTION

FIG. 1 is a front perspective view of kitchen furniture assembly showing my new design;
 FIG. 2 is a front view thereof;
 FIG. 3 is a rear view thereof;
 FIG. 4 is a left side perspective view thereof;
 FIG. 5 is a right side perspective view thereof;
 FIG. 6 is a top view thereof; and,
 FIG. 7 is a bottom view thereof.

1 Claim, 7 Drawing Sheets



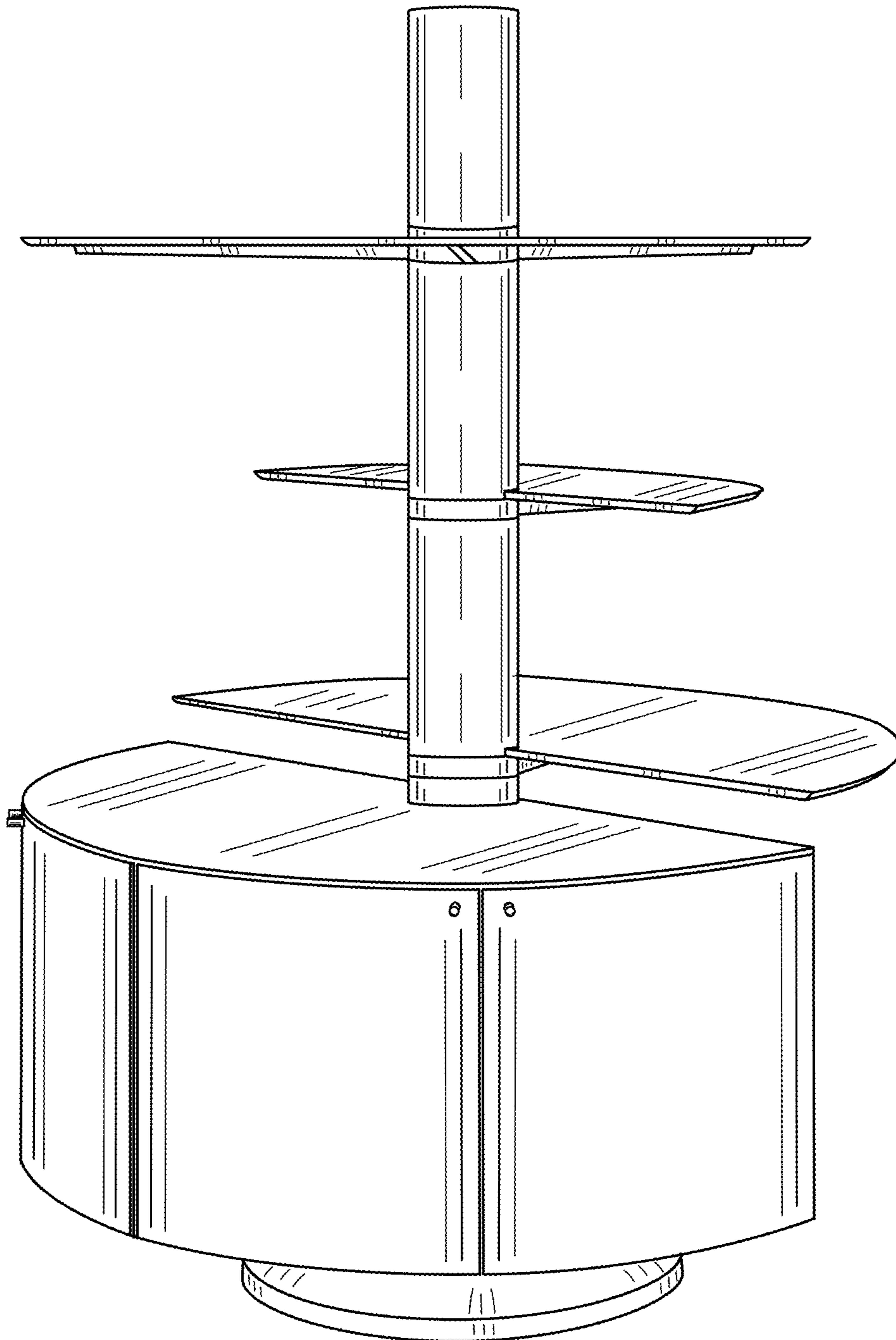


FIG. 1

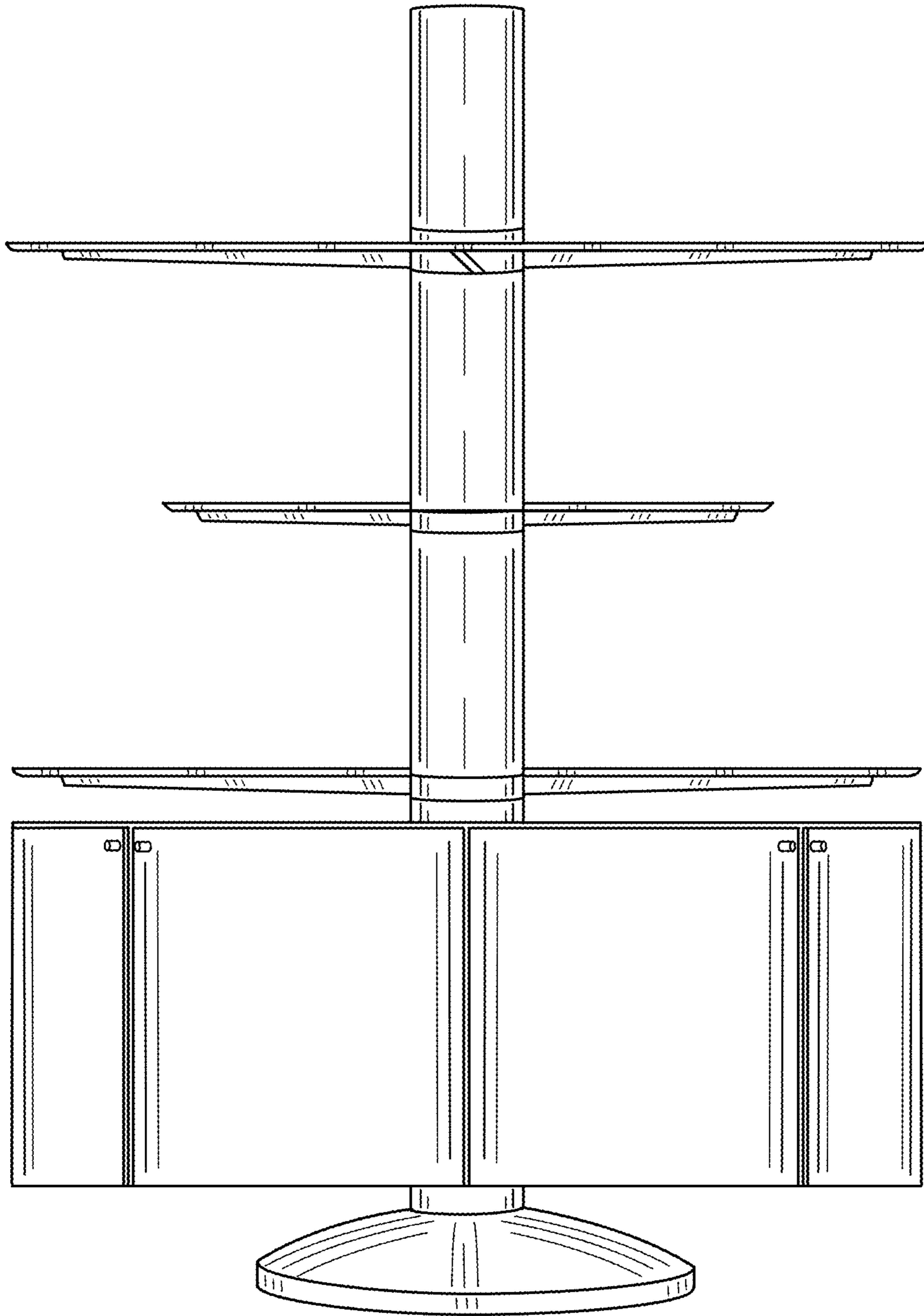


FIG. 2

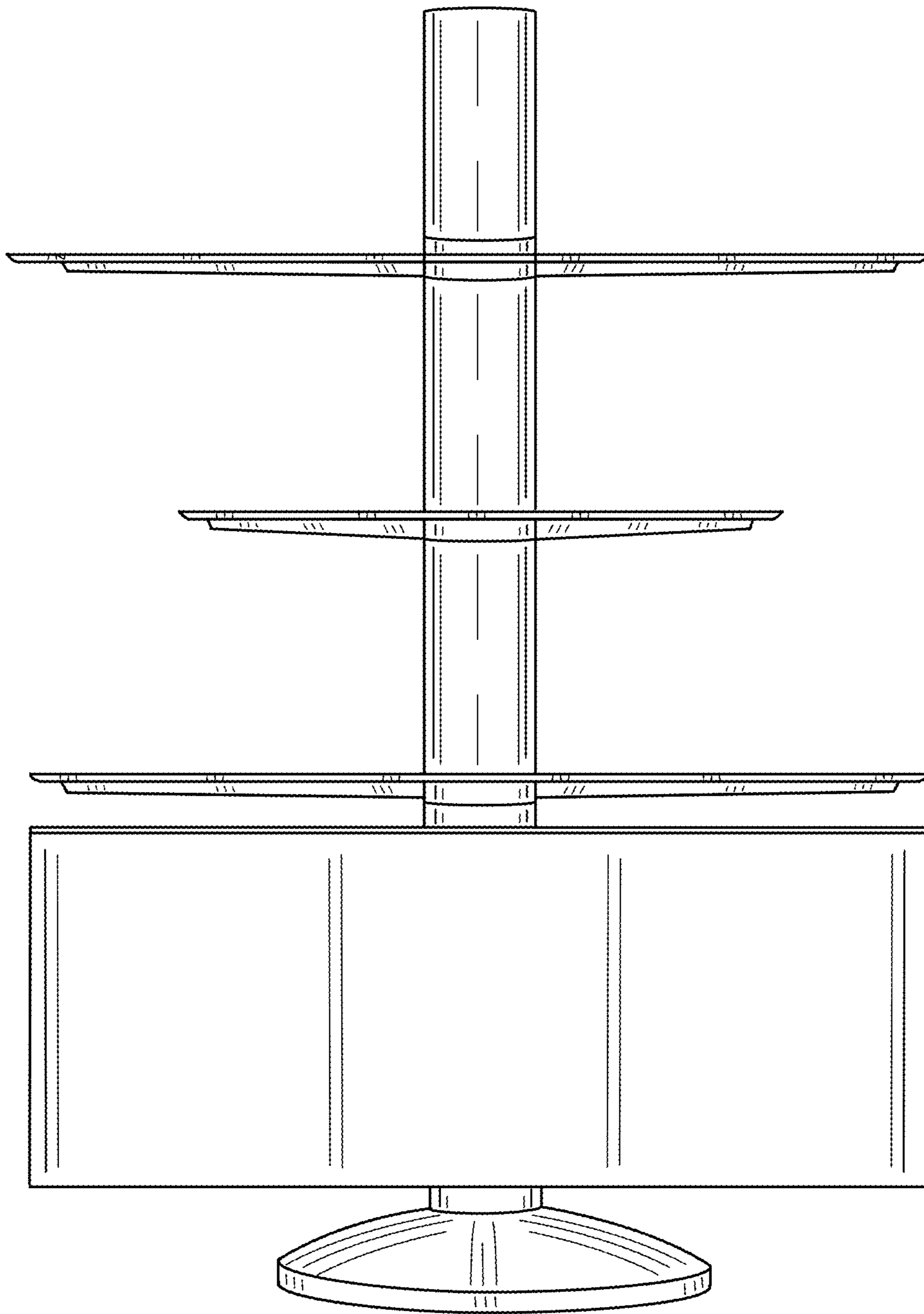


FIG. 3

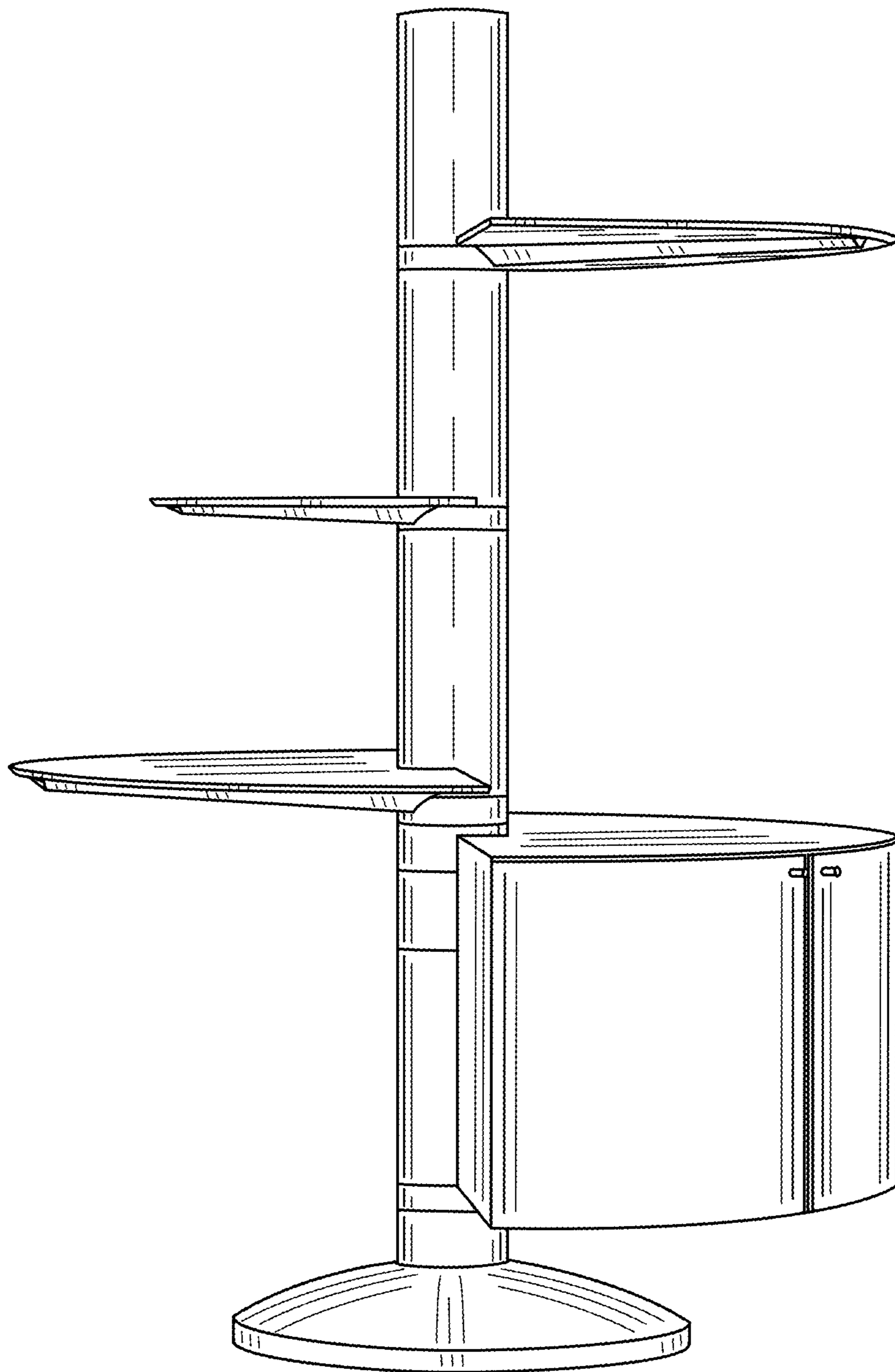


FIG. 4

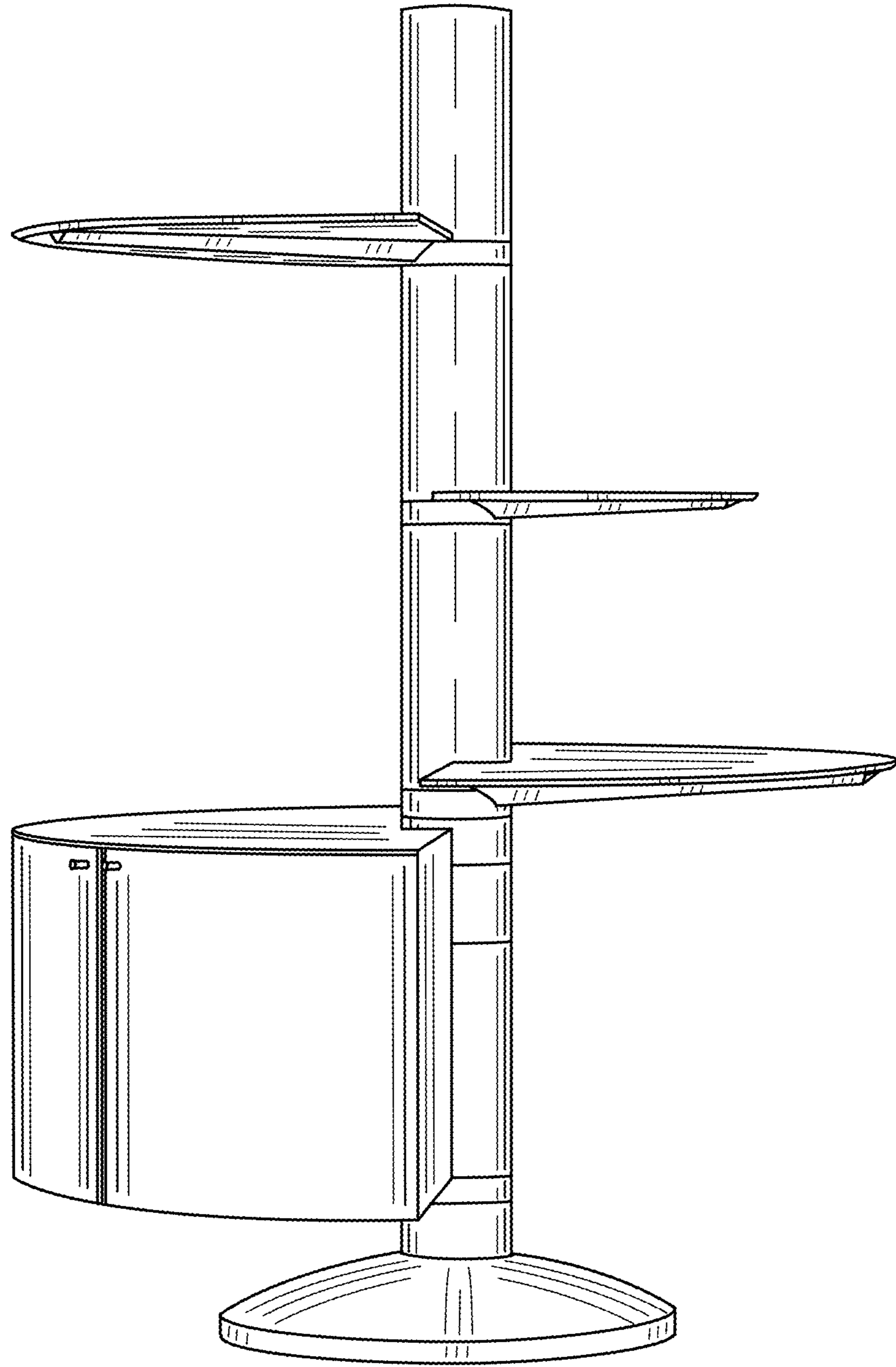


FIG. 5

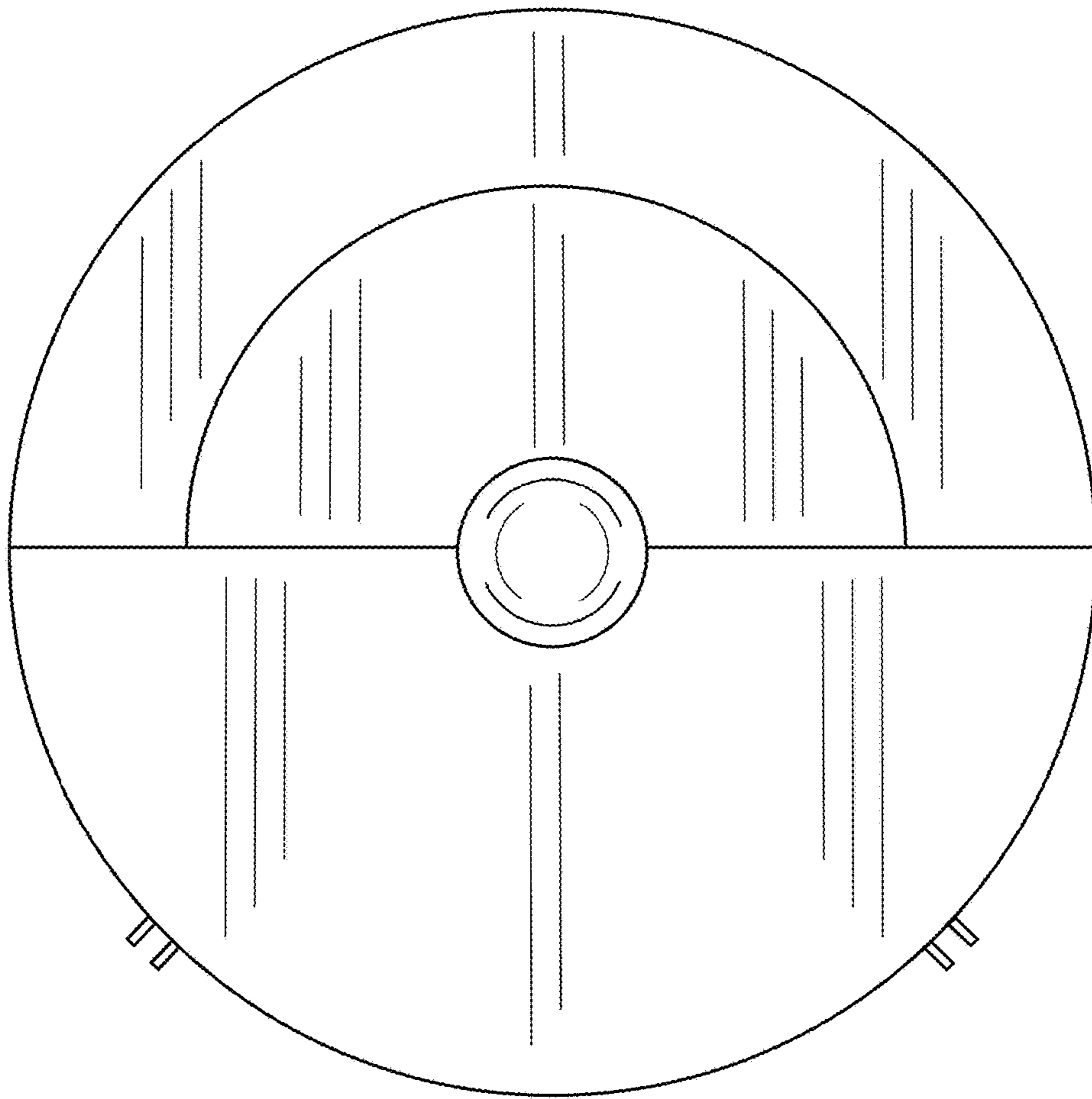


FIG. 6

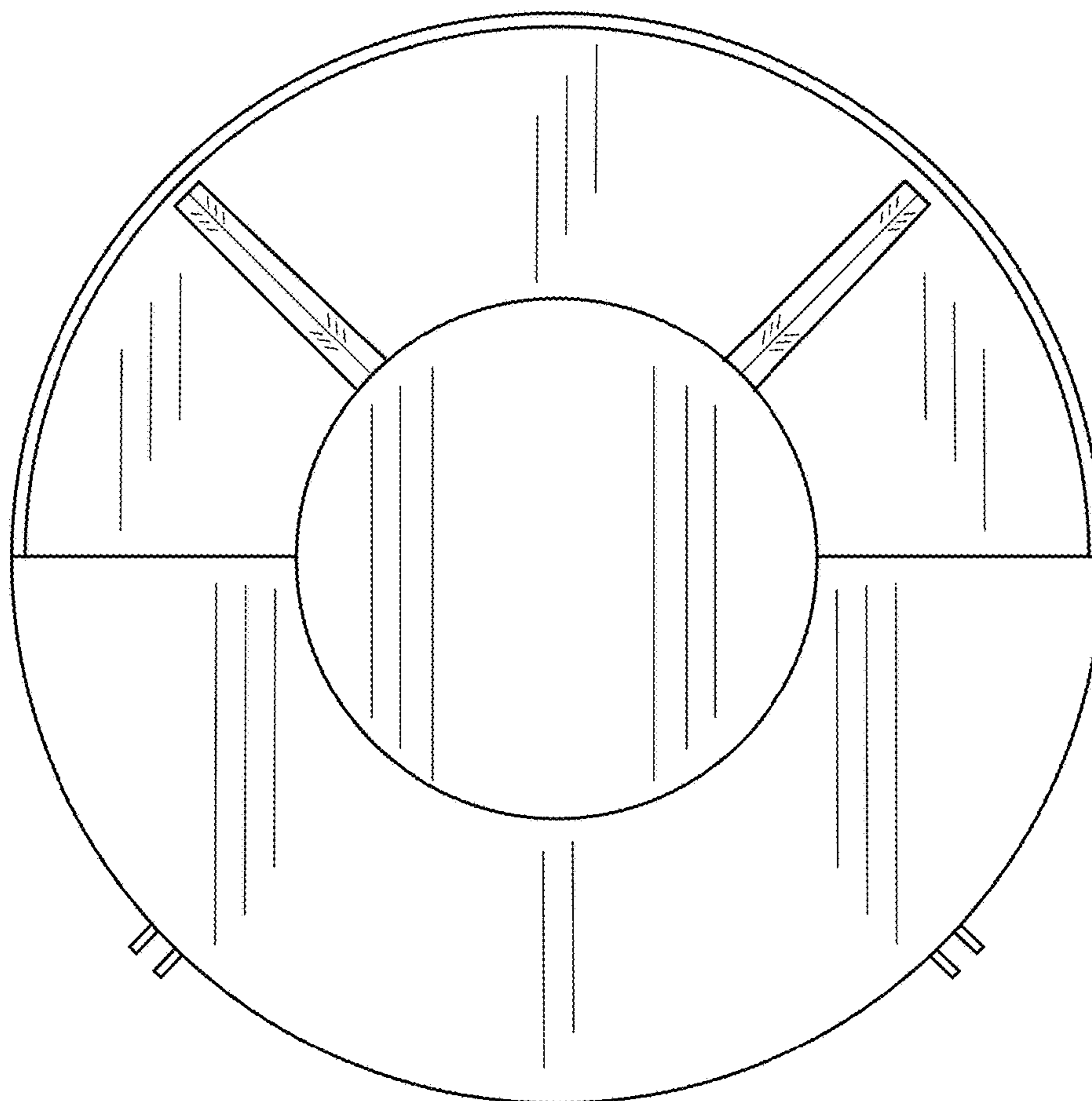


FIG. 7