



US00D798086S

(12) **United States Design Patent** (10) **Patent No.:** **US D798,086 S**  
**Schmitt** (45) **Date of Patent:** **\*\* Sep. 26, 2017**

(54) **CHINA CABINET**  
(71) Applicant: **Jack Schmitt**, Mission Viejo, CA (US)  
(72) Inventor: **Jack Schmitt**, Mission Viejo, CA (US)  
(73) Assignee: **Amini Innovation Corporation**, Pico Rivera, CA (US)

D357,598 S 4/1995 Keller  
D358,046 S 5/1995 Ferguson  
D363,839 S 11/1995 Paus  
D371,256 S 7/1996 Paus  
D371,688 S 7/1996 Keller  
(Continued)

(\*\*) Term: **15 Years**

(21) Appl. No.: **29/559,400**

(22) Filed: **Mar. 28, 2016**

(51) **LOC (10) Cl.** ..... **06-04**

(52) **U.S. Cl.**  
USPC ..... **D6/660; D6/661**

(58) **Field of Classification Search**  
USPC ..... D6/437, 478, 514, 643, 657, 660, 661,  
D6/662.1, 663, 668.1, 668.2, 669, 671,  
D6/671.1, 672, 675.1, 678.1, 678.2,  
D6/682.6, 683, 683.1; 312/118, 138.1;  
108/92; 211/135; 248/176.3; D34/19,  
D34/20  
CPC ..... A47F 3/06; A47F 5/013; A47F 7/0014;  
A47F 7/14; A47F 17/04  
See application file for complete search history.

(56) **References Cited**

**U.S. PATENT DOCUMENTS**

D90,111 S 6/1933 Ginsberg  
D224,926 S 10/1972 Adkinson  
D227,842 S 7/1973 Adkinson  
D242,678 S 12/1976 Adkinson  
D242,679 S 12/1976 Adkinson  
D249,431 S \* 9/1978 Adkinson ..... D6/660  
D255,072 S \* 5/1980 Adkinson ..... D6/660  
D284,051 S \* 6/1986 Adkinson ..... D6/660  
D303,879 S \* 10/1989 Williams ..... D6/673  
D316,642 S \* 5/1991 Bush ..... D6/661  
D320,318 S 10/1991 Pauer et al.  
D343,306 S 1/1994 Keller  
D345,872 S \* 4/1994 Keller ..... D6/661

**OTHER PUBLICATIONS**

Ethan Allen Circular, Legacy Collection China Cabinet and Buffet,  
p. 5, 1996.

(Continued)

*Primary Examiner* — Manpreet Matharu

*Assistant Examiner* — Keith Wilson

(74) *Attorney, Agent, or Firm* — Cislo & Thomas, LLP

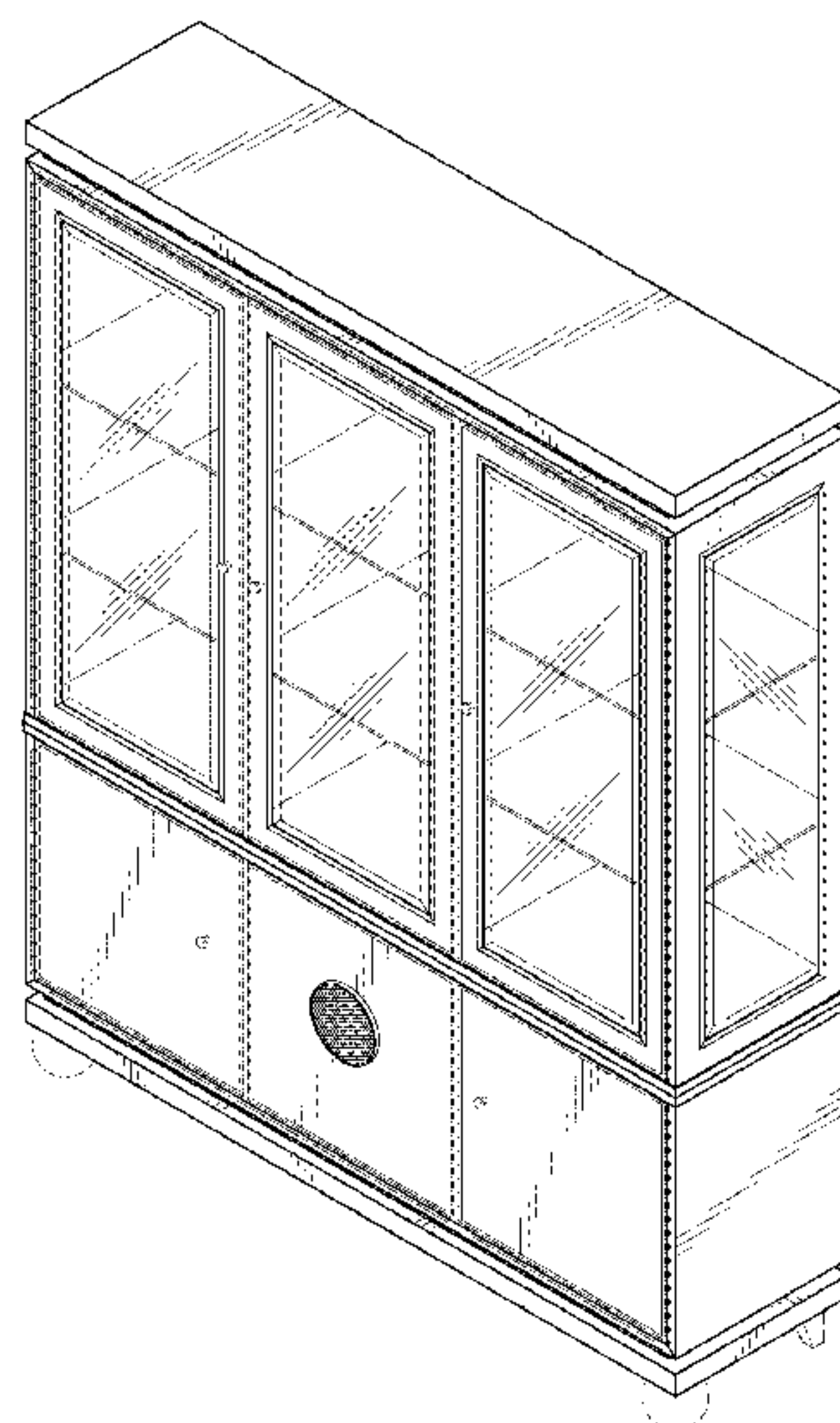
(57) **CLAIM**

I claim the ornamental design for a china cabinet, as shown  
and described.

**DESCRIPTION**

FIG. 1 is a perspective view of my china cabinet;  
FIG. 2 is a front view thereof;  
FIG. 3 is a right side view, the left side (not shown) is a  
mirror image thereof;  
FIG. 4 is a top view thereof;  
FIG. 5 is a close up view of the area designated as “5” in  
FIG. 2;  
FIG. 6 is a close up view of the area designated as “6” in  
FIG. 2;  
FIG. 7 is a close up view of the area designated as “7” in  
FIG. 5;  
FIG. 8 is a close up view of the area designated as “8” in  
FIG. 2; and,  
FIG. 9 is a close up view of the area designated as “9” in  
FIG. 8.  
The broken lines are for environmental purposes only and  
form no part of the claimed design.

**1 Claim, 6 Drawing Sheets**



(56)

References Cited

U.S. PATENT DOCUMENTS

D371,693 S 7/1996 Paus  
 D372,139 S 7/1996 Walters, III et al.  
 D372,375 S \* 8/1996 Walters, III ..... D6/660  
 D373,263 S 9/1996 Keller  
 D373,491 S 9/1996 Walters et al.  
 D384,515 S 10/1997 Bergelin  
 D384,523 S 10/1997 Bergelin  
 D386,628 S 11/1997 O'Hare  
 D389,654 S 1/1998 Walters, III et al.  
 D390,043 S 2/1998 Walters, III et al.  
 D390,719 S 2/1998 Walters, III et al.  
 D400,731 S \* 11/1998 Kasuli ..... D27/189  
 D401,441 S 11/1998 De Blaay  
 D410,488 S 6/1999 Uggetti  
 D423,815 S \* 5/2000 O'Hare ..... D6/661  
 D426,401 S \* 6/2000 Conway, Jr. .... D6/661  
 D426,980 S 6/2000 Vaaler  
 D430,751 S \* 9/2000 Cain ..... D6/658  
 D431,391 S 10/2000 Hazen et al.  
 D433,249 S \* 11/2000 Wilson ..... D6/671.1  
 D434,249 S 11/2000 Cain  
 D439,438 S \* 3/2001 Mathieu ..... D6/661  
 D439,763 S \* 4/2001 McDaniel ..... D6/661  
 D441,216 S \* 5/2001 Vaaler ..... D6/661  
 D441,218 S \* 5/2001 Vaaler ..... D6/660  
 D441,219 S 5/2001 Cain  
 D445,279 S 7/2001 O'Hare et al.  
 D445,601 S \* 7/2001 O'Hare ..... D6/661  
 D447,886 S 9/2001 O'Hare et al.  
 D448,205 S 9/2001 O'Hare et al.  
 D448,949 S 10/2001 O'Hare et al.  
 D450,476 S 11/2001 Vaaler  
 D451,303 S 12/2001 Lee  
 D451,708 S \* 12/2001 Wistehuff, Sr. .... D6/661  
 D454,728 S \* 3/2002 Vaaler ..... D6/661  
 D454,729 S 3/2002 Vaaler  
 D455,296 S \* 4/2002 O'Hare ..... D6/660  
 D455,297 S \* 4/2002 Vaaler ..... D6/660  
 D458,051 S 6/2002 O'Hare et al.  
 D461,068 S \* 8/2002 Stanton ..... D6/660  
 D461,655 S 8/2002 Stanton  
 D465,354 S 11/2002 Cain  
 D468,937 S 1/2003 Berry, Jr. et al.  
 D469,624 S 2/2003 Vaaler  
 D469,631 S 2/2003 Vaaler  
 D469,632 S \* 2/2003 Stanton ..... D6/661.3  
 D469,986 S 2/2003 Stanton  
 D474,054 S 5/2003 Warren et al.  
 D475,868 S 6/2003 Vaaler  
 D477,725 S 7/2003 McDaniel et al.  
 D480,236 S 10/2003 Schmitt  
 D480,898 S 10/2003 Schmitt  
 D481,555 S 11/2003 Schmitt  
 D482,907 S 12/2003 Wanek et al.  
 D487,201 S \* 3/2004 Schmitt ..... D6/664.1  
 D487,202 S 3/2004 Schmitt  
 D487,203 S 3/2004 Schmitt  
 D488,645 S \* 4/2004 Stanton ..... D6/660  
 D499,277 S 12/2004 O'Hare  
 D502,339 S \* 3/2005 O'Hare ..... D6/660  
 D502,340 S \* 3/2005 Juneau ..... D6/661  
 D506,885 S \* 7/2005 Vaaler ..... D6/660  
 D508,624 S \* 8/2005 Vaaler ..... D6/660  
 D510,212 S 10/2005 Schmitt  
 D510,489 S \* 10/2005 Risdon ..... D6/668.2  
 D511,425 S 11/2005 Katz et al.  
 D511,910 S \* 11/2005 Coley ..... D6/660  
 D513,675 S \* 1/2006 Peterson ..... D6/660  
 D513,907 S \* 1/2006 O'Hare ..... D6/661  
 D514,352 S \* 2/2006 Black ..... D6/671.2

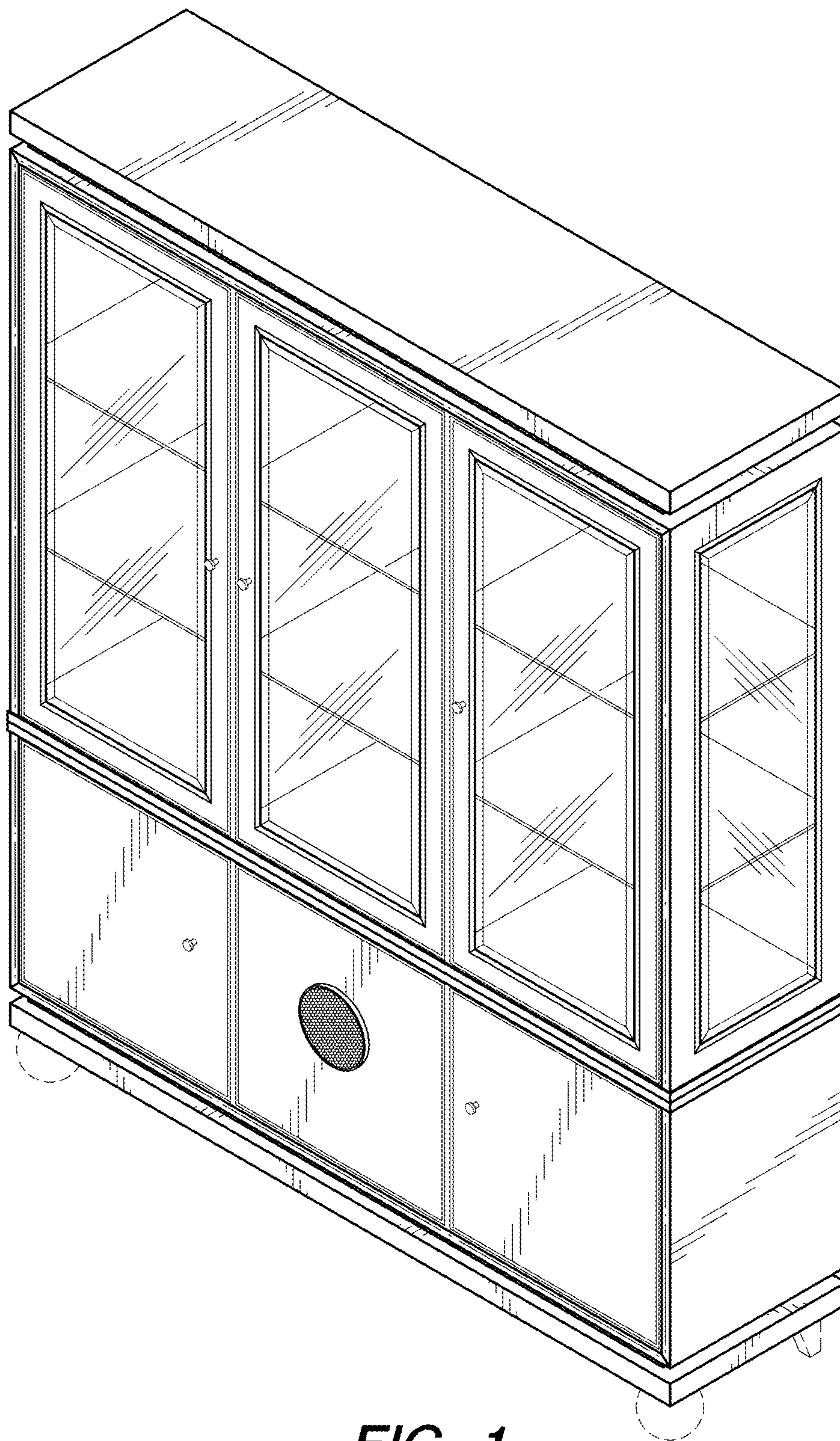
D518,978 S \* 4/2006 Katz ..... D6/661  
 D524,575 S 7/2006 Everson et al.  
 D525,458 S \* 7/2006 Domack ..... D6/660  
 D527,206 S 8/2006 Domack et al.  
 D527,546 S 9/2006 Mohundro  
 D527,547 S 9/2006 Domack et al.  
 D527,548 S 9/2006 Schmitt  
 D528,325 S 9/2006 Schmitt  
 D528,826 S 9/2006 Schmitt  
 D529,310 S 10/2006 Schmitt  
 D530,116 S 10/2006 Schmitt  
 D530,537 S \* 10/2006 Schmitt ..... D6/661  
 D531,427 S 11/2006 Schmitt  
 D532,997 S 12/2006 Schmitt  
 D546,586 S \* 7/2007 O'Hare ..... D6/660  
 D549,005 S \* 8/2007 Domack ..... D6/660  
 D549,006 S \* 8/2007 Everson ..... D6/661  
 D549,007 S \* 8/2007 Everson ..... D6/661  
 D549,008 S 8/2007 Domack et al.  
 D557,040 S 12/2007 Domack et al.  
 D557,938 S \* 12/2007 Thompson ..... D6/660  
 D560,081 S 1/2008 Thompson  
 D564,259 S 3/2008 Hasset, Jr.  
 D564,783 S 3/2008 Schmitt  
 D564,784 S 3/2008 Schmitt  
 D564,795 S 3/2008 Schmitt  
 D565,325 S 4/2008 Schmitt  
 D586,581 S \* 2/2009 Schmitt ..... D6/664.1  
 D586,586 S 2/2009 Schmitt  
 D586,587 S 2/2009 Schmitt  
 D592,890 S 5/2009 Schmitt  
 D595,064 S \* 6/2009 Thompson ..... D6/660  
 D595,065 S \* 6/2009 Thompson ..... D6/671.2  
 D595,066 S \* 6/2009 Thompson ..... D6/671.1  
 D599,139 S 9/2009 Schmitt  
 D623,444 S \* 9/2010 Schmitt ..... D6/660  
 D629,231 S \* 12/2010 Schmitt ..... D6/660  
 D644,852 S \* 9/2011 Schmitt ..... D6/660  
 D653,054 S \* 1/2012 Schmitt ..... D6/660  
 D653,055 S \* 1/2012 Schmitt ..... D6/660  
 D653,056 S \* 1/2012 Schmitt ..... D6/660  
 D675,846 S \* 2/2013 Monaldi ..... D6/661  
 D692,697 S \* 11/2013 Schmitt ..... D6/661  
 D708,458 S \* 7/2014 Schmitt ..... D6/660  
 D733,466 S \* 7/2015 Schmitt ..... D6/660  
 D734,067 S \* 7/2015 Vogt ..... D6/661  
 D747,900 S \* 1/2016 Sheppard ..... D6/661  
 D767,921 S \* 10/2016 Burden ..... D6/671.1  
 D769,032 S \* 10/2016 Burden ..... D6/671  
 D773,861 S \* 12/2016 Burden ..... D6/661

OTHER PUBLICATIONS

Furniture Today, Union City Imports China Hutch, p. 158, Oct. 19, 1998.  
 Furniture Today, AICO China Hutch, p. 15, Oct. 16, 2000.  
 Furniture Today, Broyhill China Hutch, p. 11, Apr. 16, 2001.  
 Furniture Today, Marge Carson Wall Unit, p. 126, Oct. 11, 1999.  
 Furniture Today, Pulaski Armoire, p. 33, Apr. 15, 2002.  
 Amini Innovation Corp. Monte Carlo Collection, #53000 Series, 2001, 2 pages.  
 Amini Innovation Corp. La Francaise Collection, #50000 Series, Sep. 11, 2002, 5 pages.  
 Amini Innovation Corp. Royal Oak Collection, #31000 Series, Sep. 11, 2002, 1 page.  
 Amini Innovation Corp. Tuscano China Cabinet and Buffet, Sep. 14, 2004, 1 page.  
 Amini Innovation Corp. Excelsior China Cabinet and Buffet, Sep. 14, 2004, 1 page.  
 Amini innovation Corp. Trevi Collection, Sep. 20, 2004, 2 pages.

\* cited by examiner





**FIG. 1**

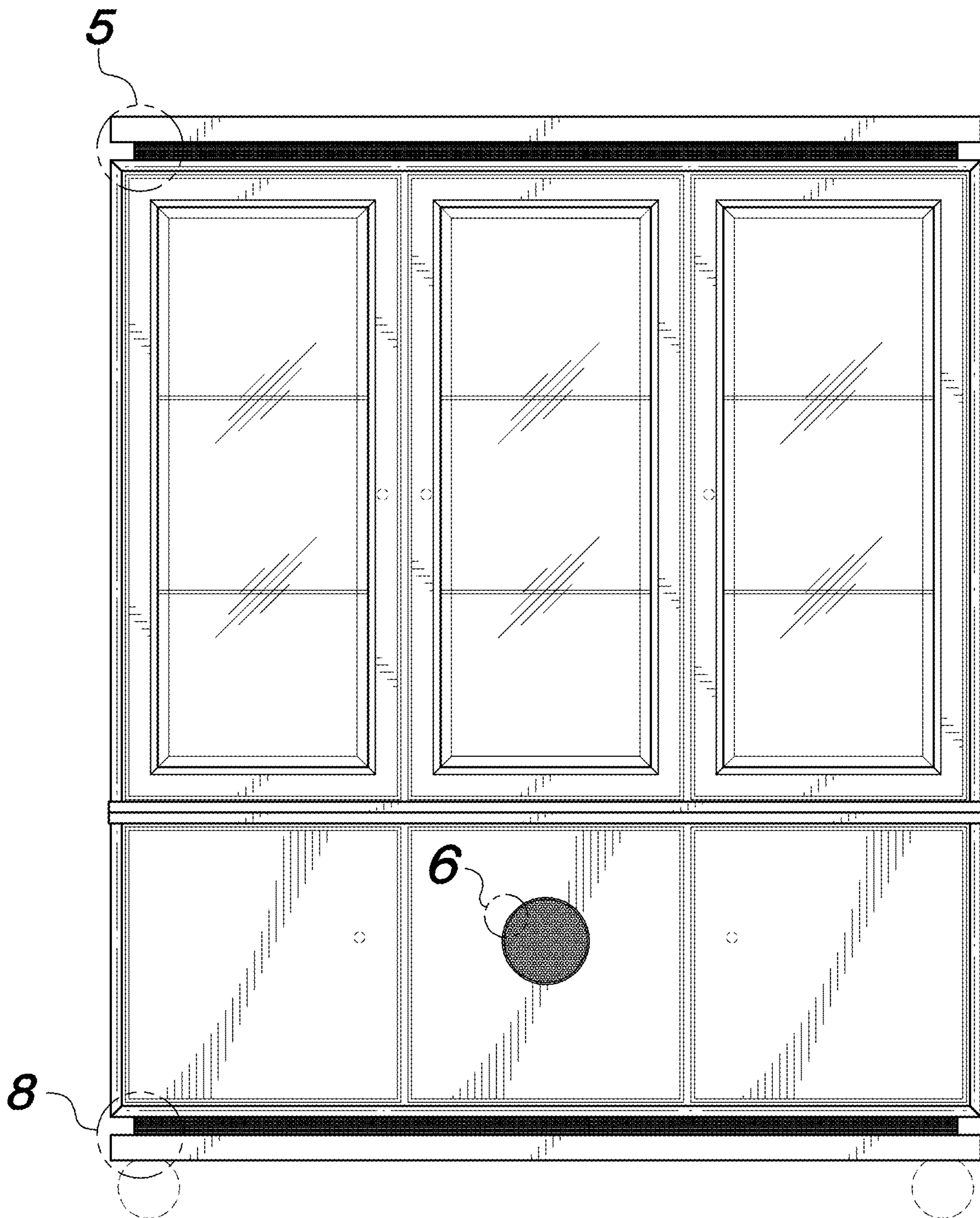
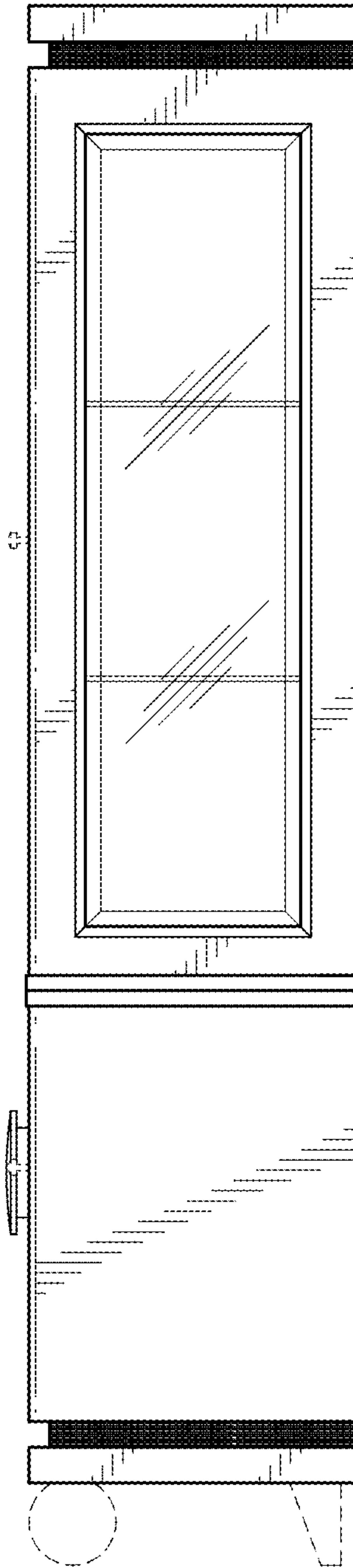
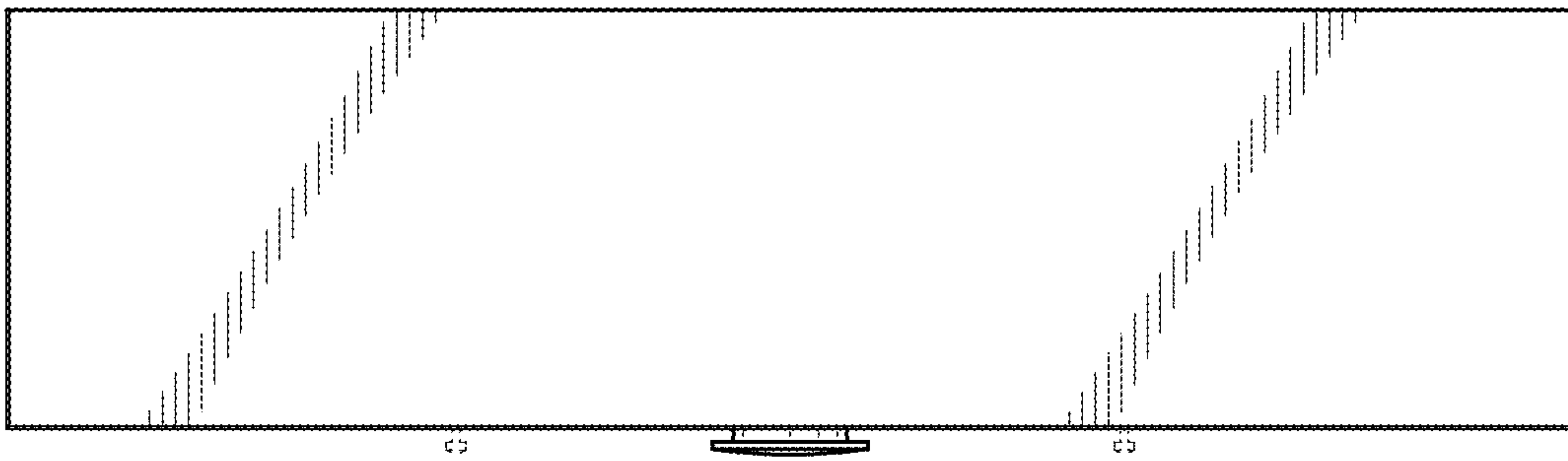


FIG. 2

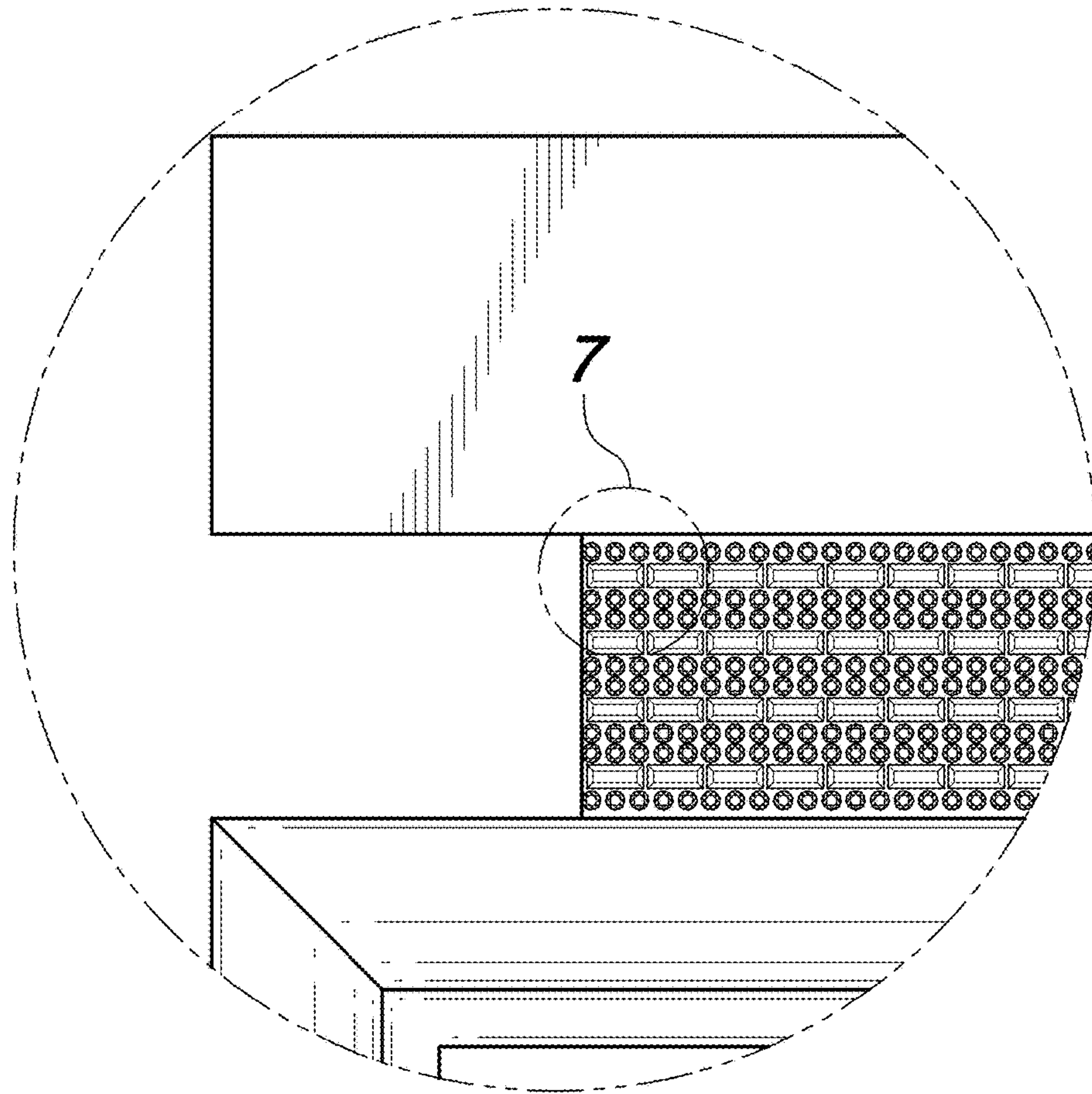


**FIG. 3**

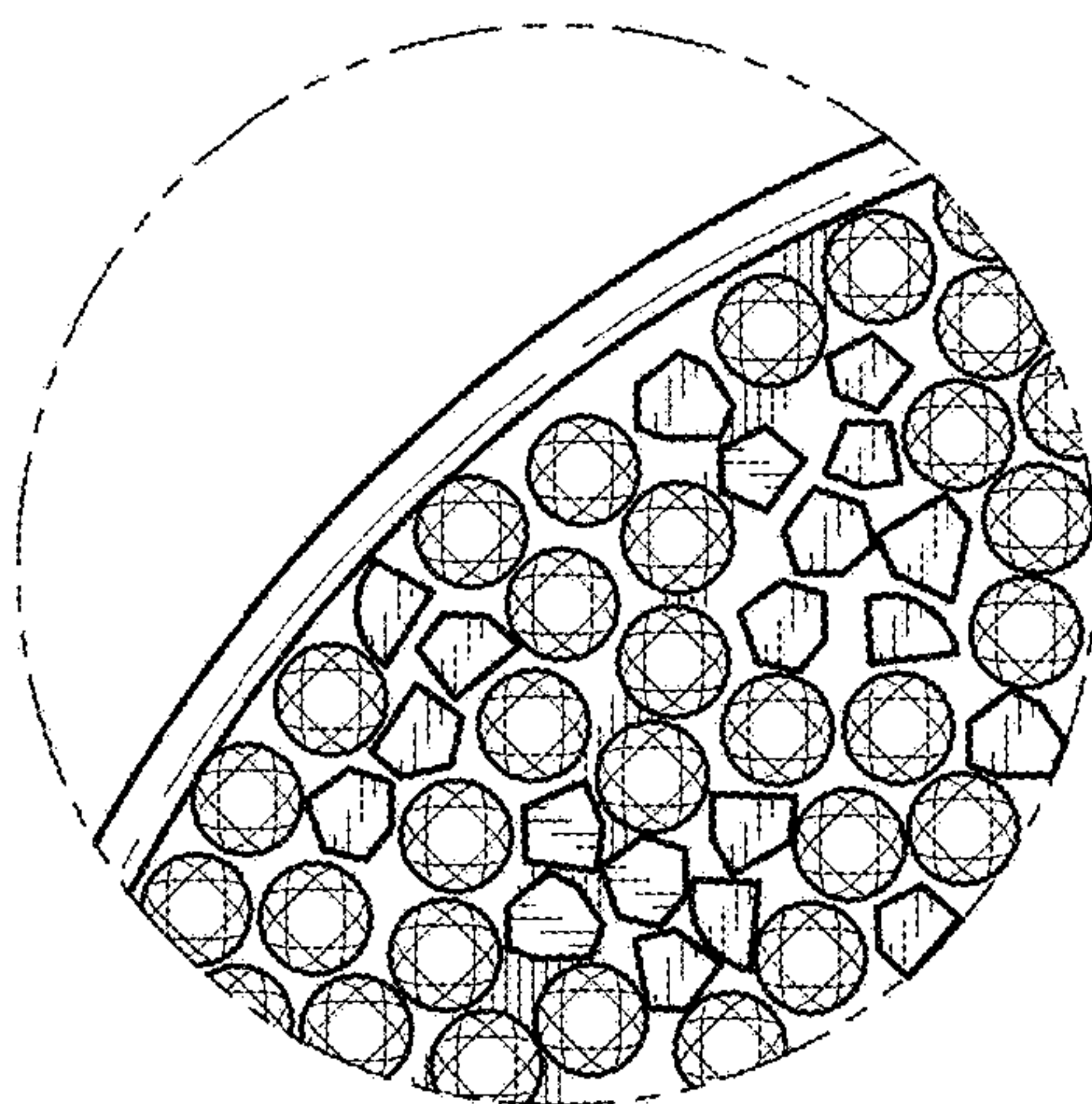


**FIG. 4**

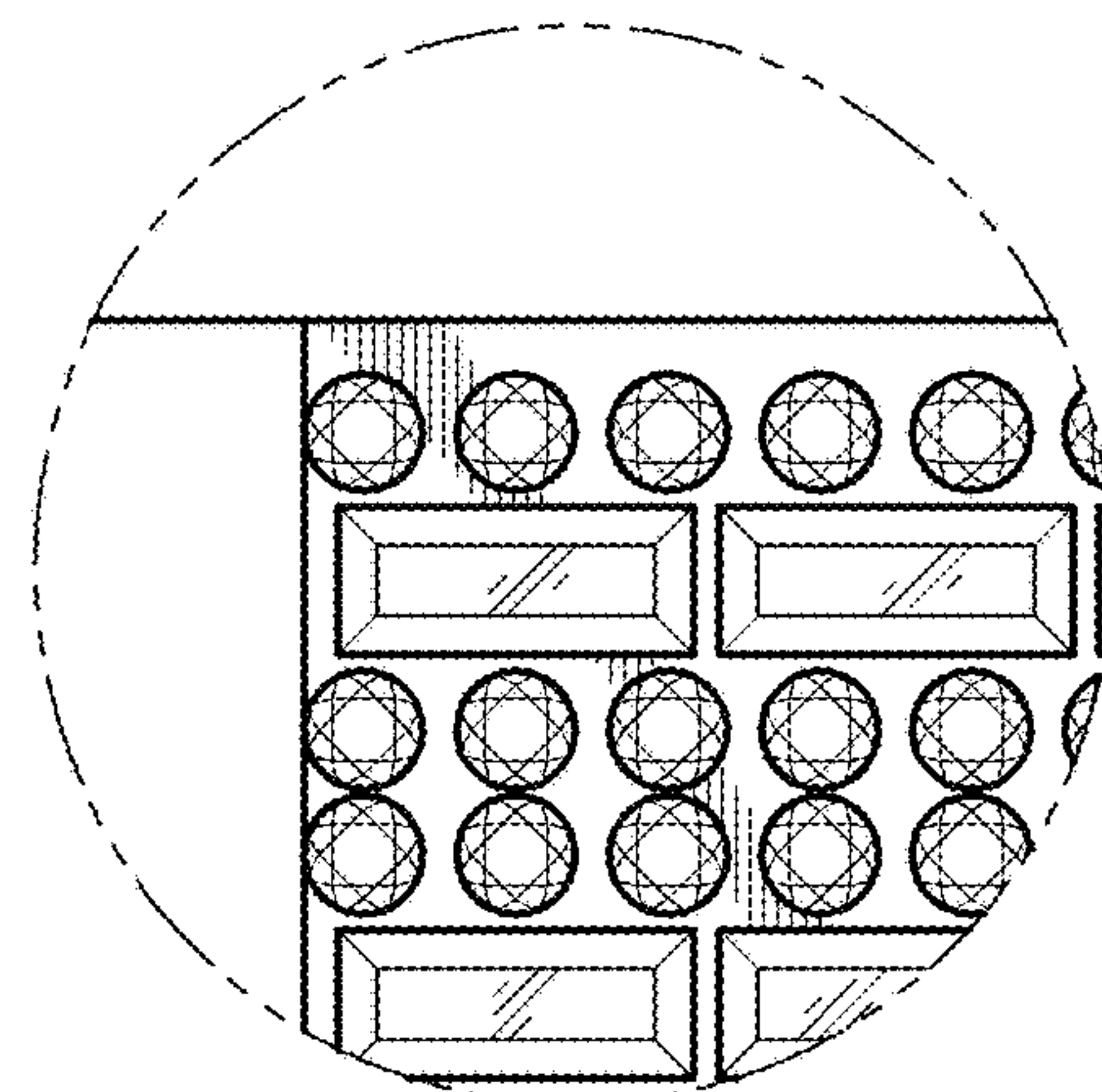




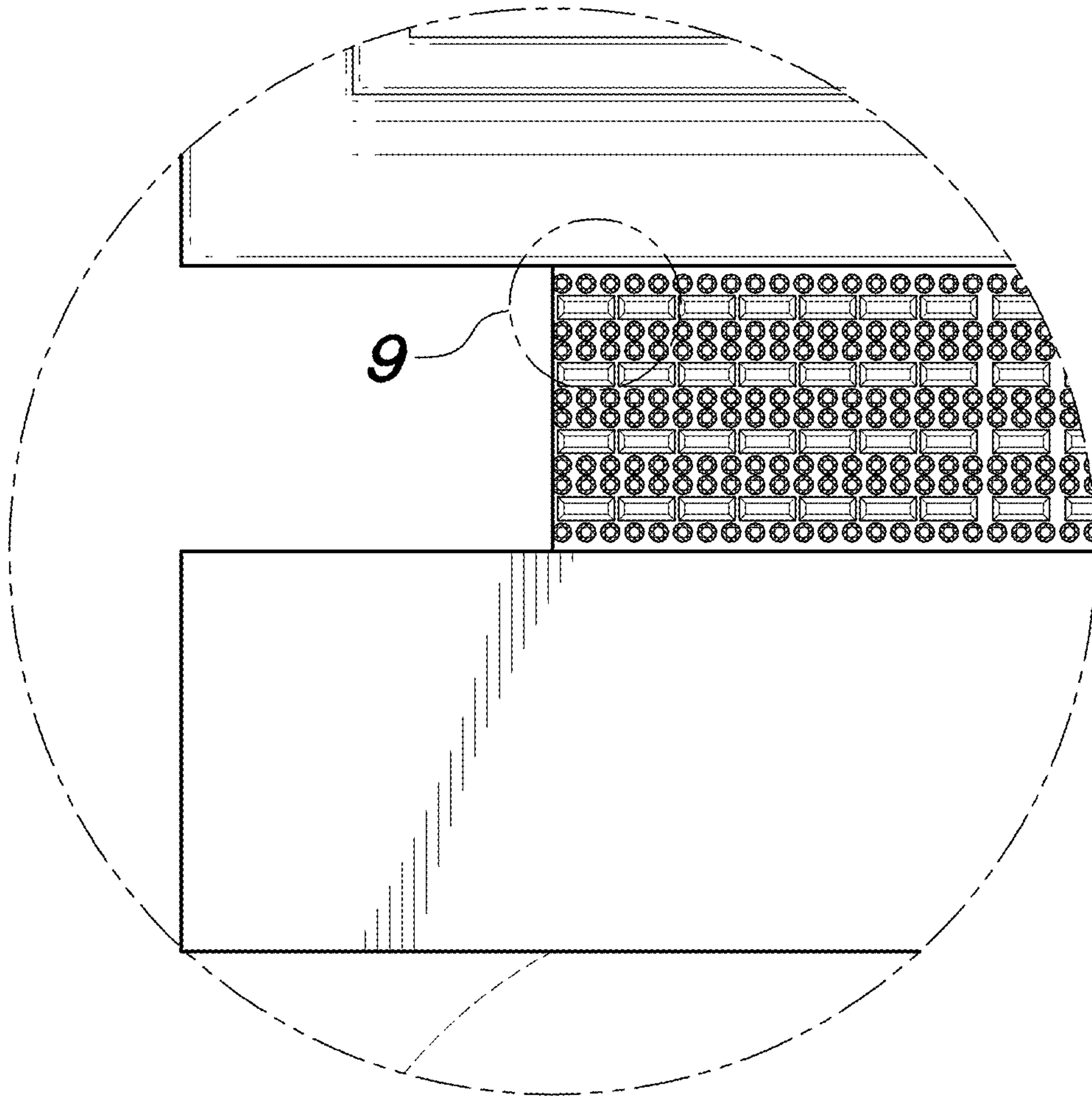
**FIG. 5**



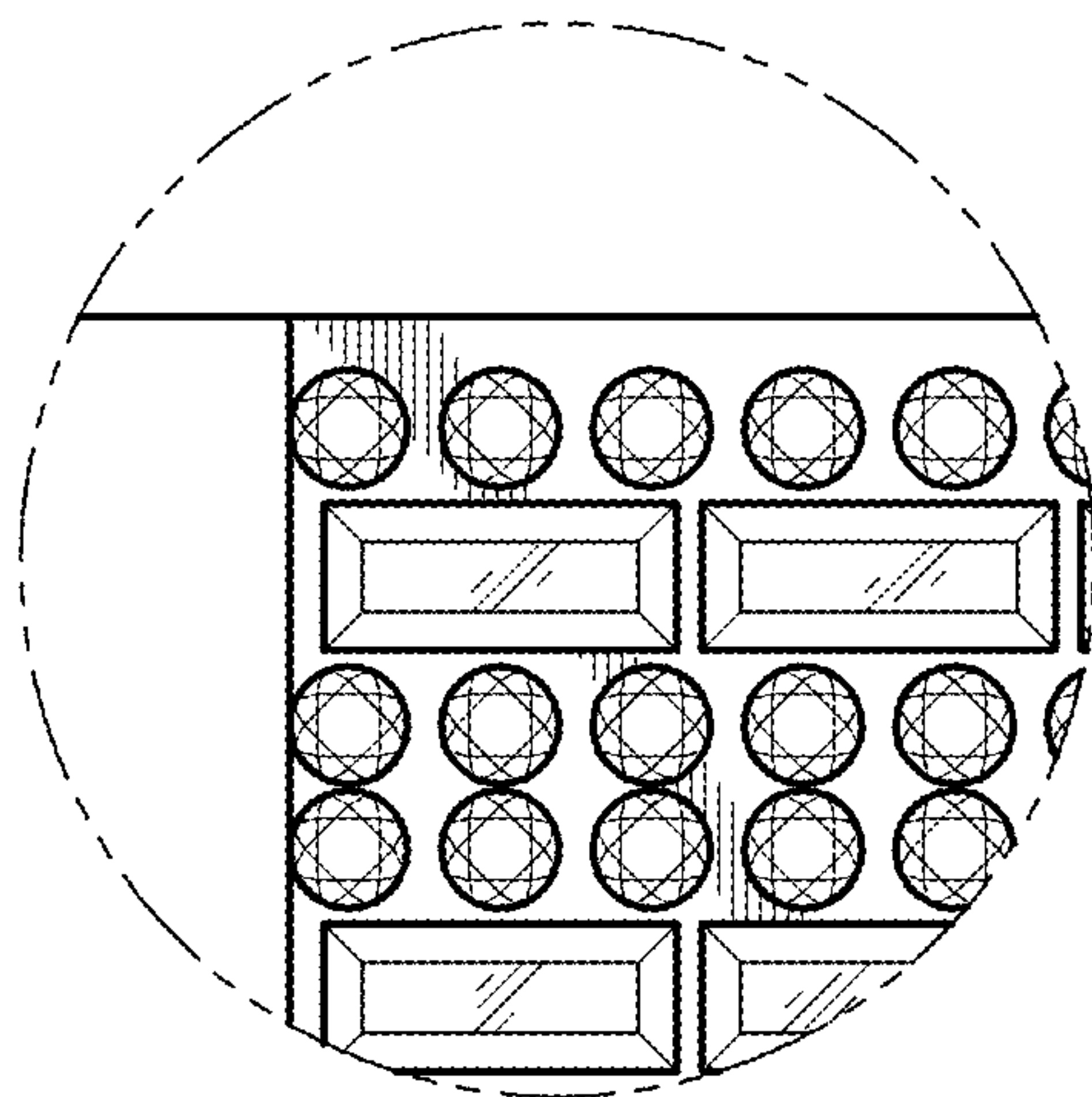
**FIG. 6**



**FIG. 7**



**FIG. 8**



**FIG. 9**