



US00D798081S

(12) **United States Design Patent**
Marsden

(10) **Patent No.:** **US D798,081 S**

(45) **Date of Patent:** **** Sep. 26, 2017**

(54) **HANGER**

(71) Applicant: **Elbee Pty Ltd.**, Bondi Junction (AU)

(72) Inventor: **Andrew Marsden**, Hingham, MA (US)

(73) Assignee: **Elbee Pty Ltd.**, Bondi Junction (AU)

(**) Term: **15 Years**

(21) Appl. No.: **29/561,493**

(22) Filed: **Apr. 15, 2016**

(51) **LOC (10) Cl.** **06-04**

(52) **U.S. Cl.**
USPC **D6/553**

(58) **Field of Classification Search**
USPC D6/553, 323, 550; D8/16, 349, 354, 355,
D8/363, 367, 370-373, 376, 382,
D8/384-385, 389; D11/208; D20/15;
D26/87

CPC E05C 19/10; E05C 17/50; E05C 3/045;
E05C 3/30; E05C 19/02; E05C 19/026;
A47G 25/0614; A47G 25/18; A47G 25/32
See application file for complete search history.

(56) **References Cited**

U.S. PATENT DOCUMENTS

2,235,182 A	3/1941	Weston
3,929,228 A	12/1975	Margolin et al.
4,333,575 A	6/1982	Wong
4,944,434 A	7/1990	Hamilton
5,037,051 A	8/1991	Moriello
5,078,276 A	1/1992	Rogge et al.
5,810,304 A	9/1998	Lehrman
5,842,581 A	12/1998	Graefe

D479,796 S	9/2003	Snell	
D602,343 S *	10/2009	Olien	D8/363
D637,893 S *	5/2011	Yon	D8/370
8,002,225 B1	8/2011	Malone	
D696,571 S *	12/2013	Lai	D8/367
D755,613 S *	5/2016	Ajello	D8/372
D767,298 S *	9/2016	Laumerich	D6/533

* cited by examiner

Primary Examiner — Wan Laymon

Assistant Examiner — Mark Booker

(74) *Attorney, Agent, or Firm* — Wolf, Greenfield & Sacks, P.C.

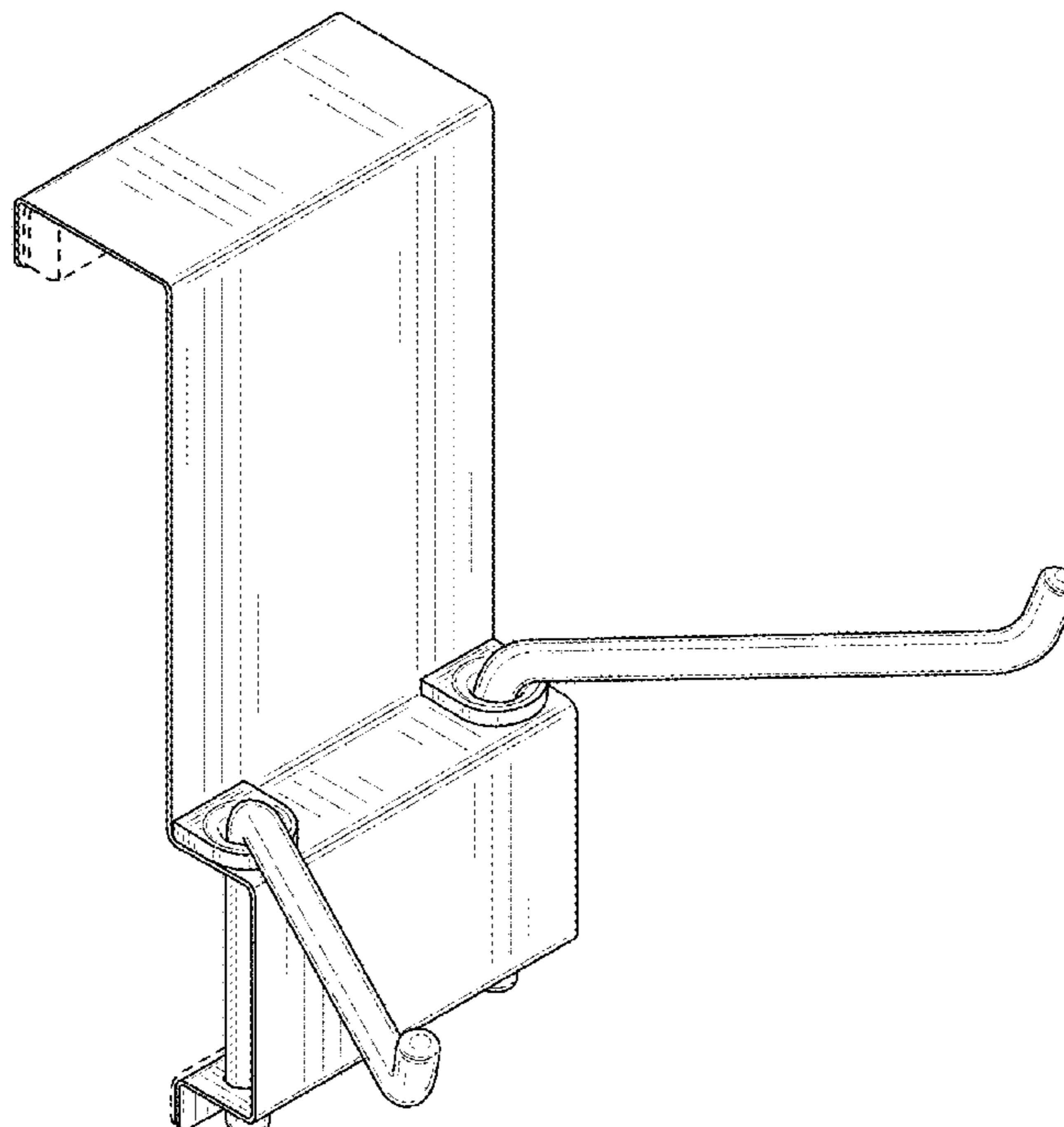
(57) **CLAIM**

The ornamental design for a hanger, as shown and described.

DESCRIPTION

FIG. 1 is a top, front, left side perspective view of a hanger showing my new design;
FIG. 2 is a bottom, front, right side perspective view thereof;
FIG. 3 is a bottom, rear, right side perspective view thereof;
FIG. 4 is a top, rear, left side perspective view thereof;
FIG. 5 is a front elevation view thereof;
FIG. 6 is a rear elevation view thereof;
FIG. 7 is a right side elevation view thereof;
FIG. 8 is a left side elevation view thereof;
FIG. 9 is a top plan view thereof; and,
FIG. 10 is a bottom plan view thereof.
The broken lines represent portions of the hanger that form no part of the claimed design.

1 Claim, 10 Drawing Sheets



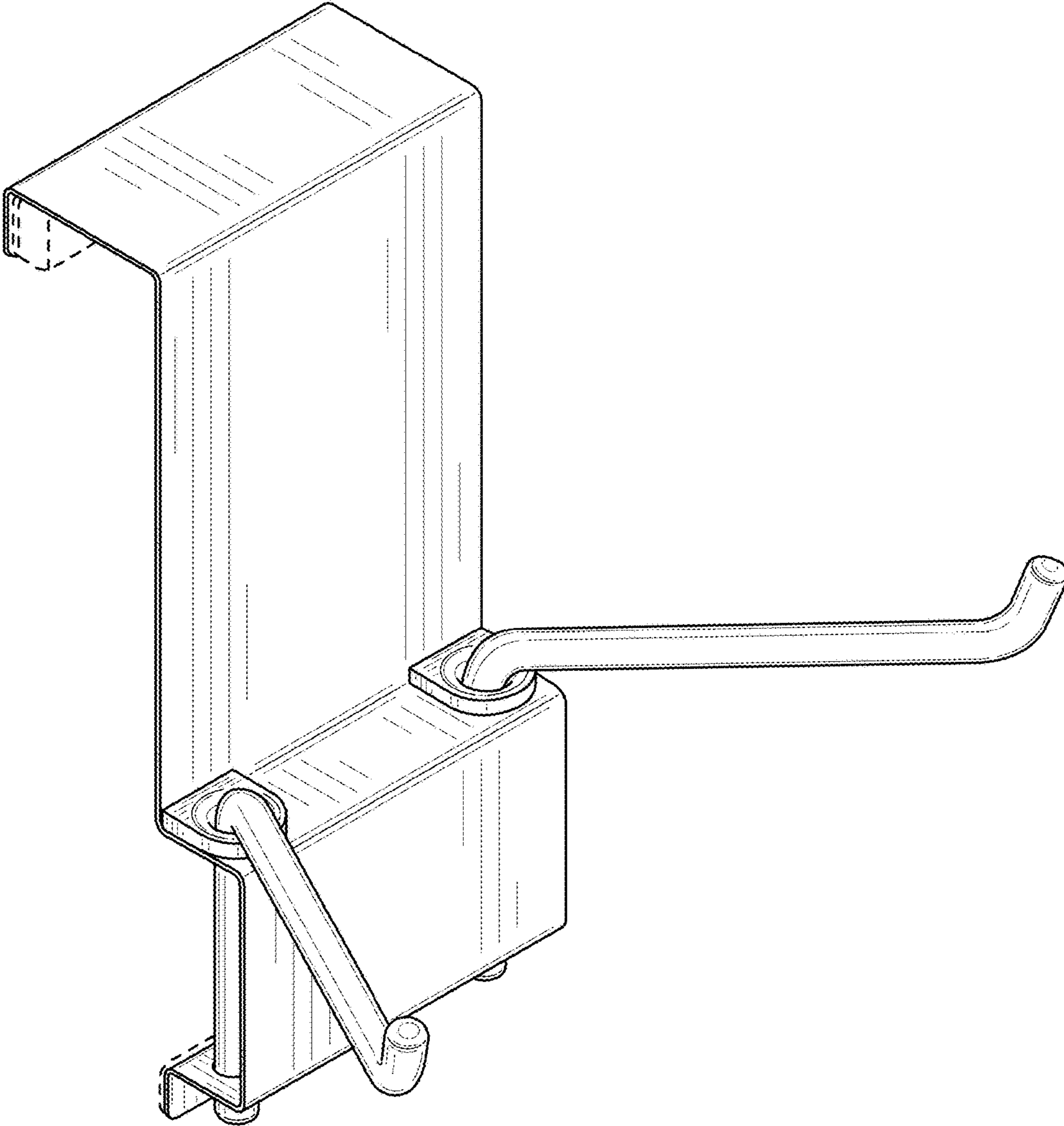


FIG. 1

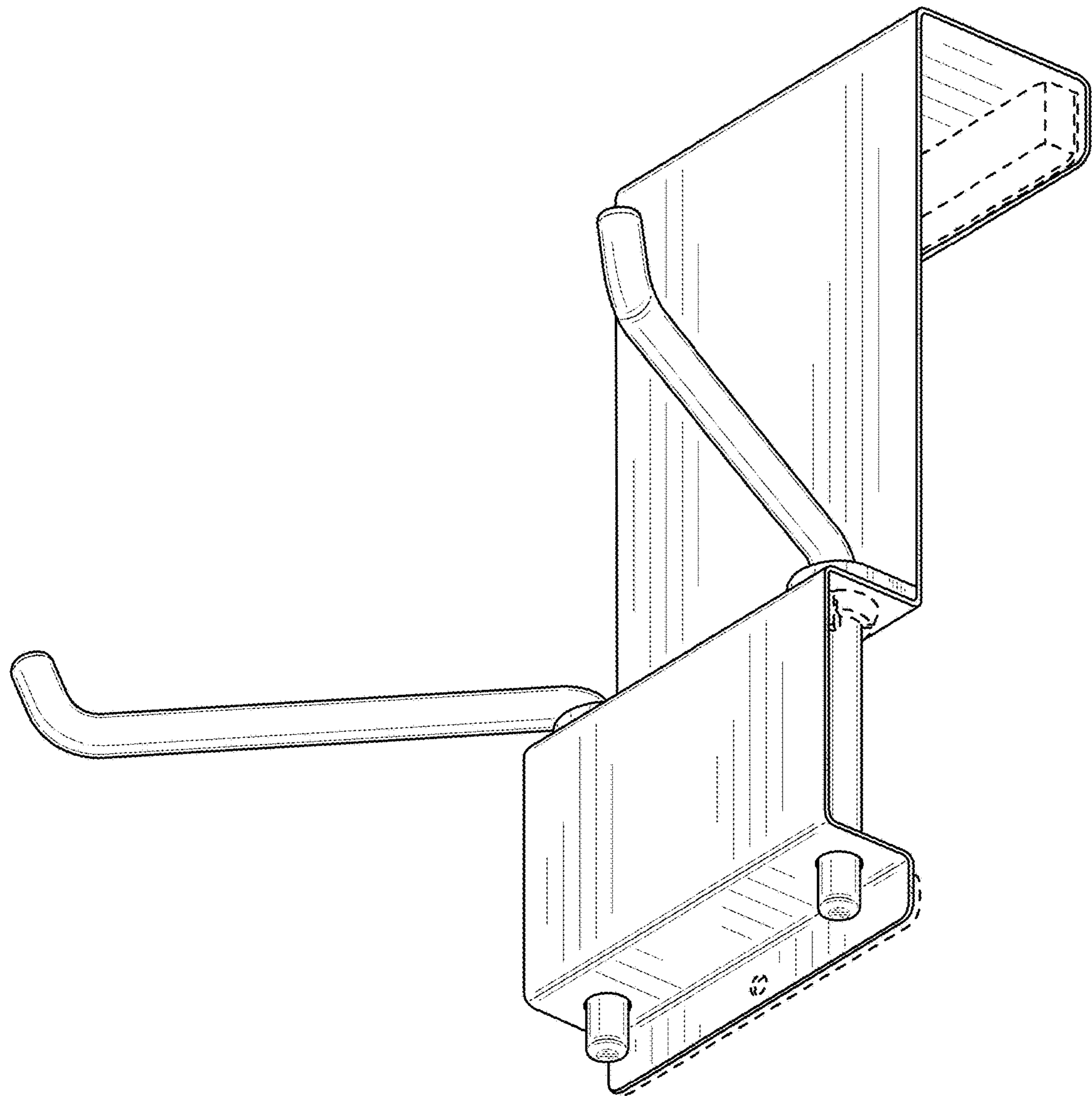


FIG. 2

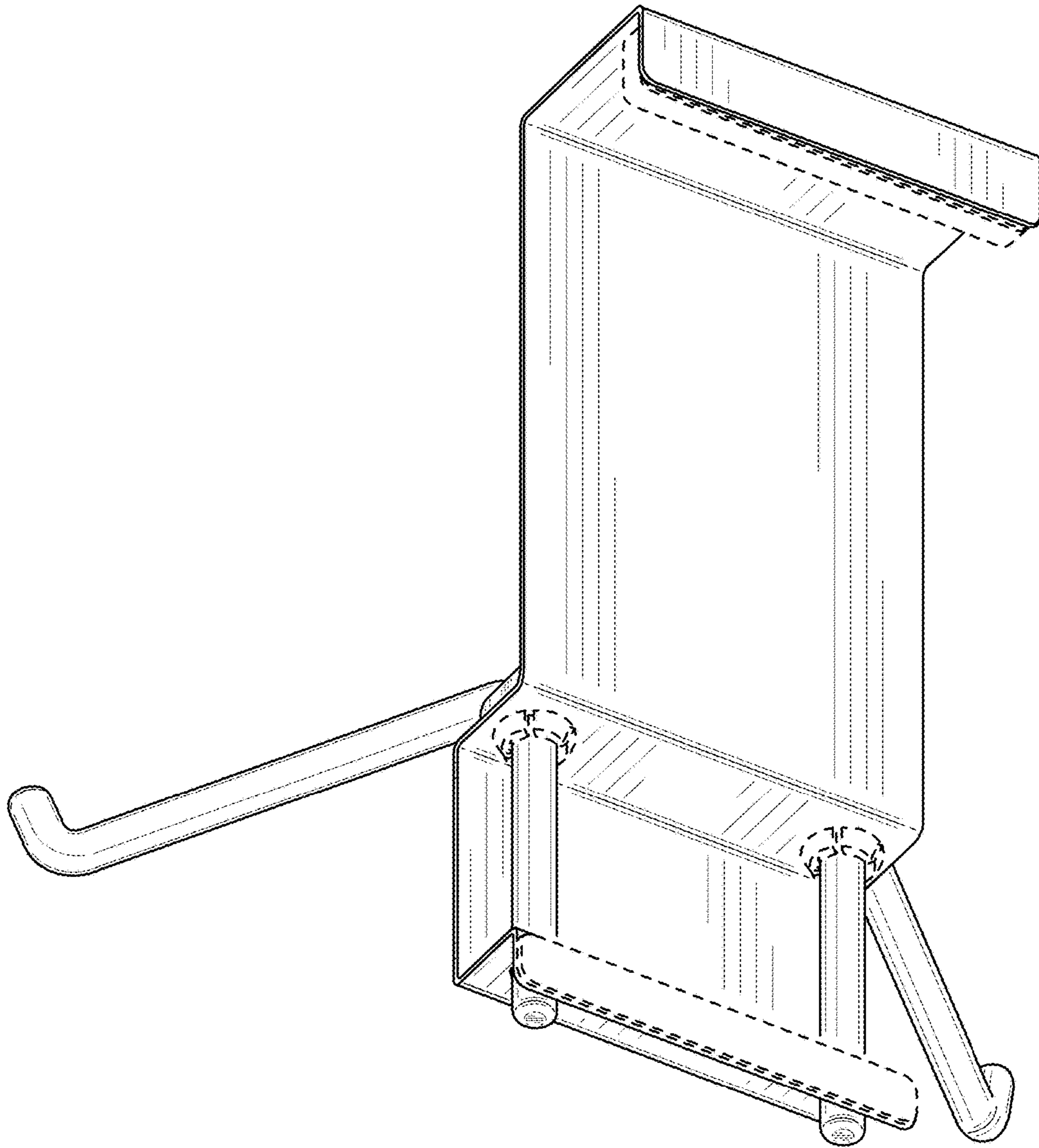


FIG. 3

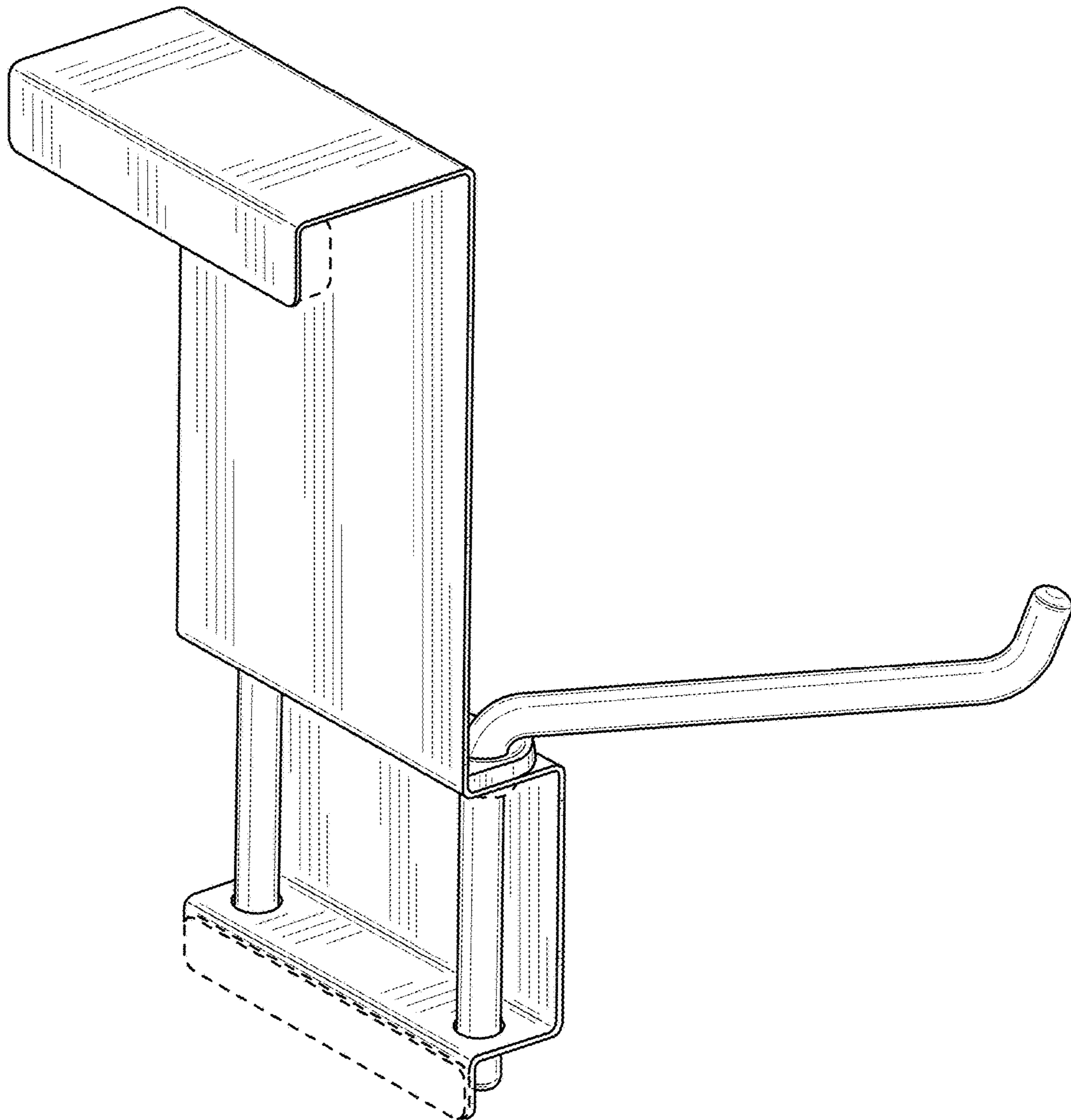


FIG. 4

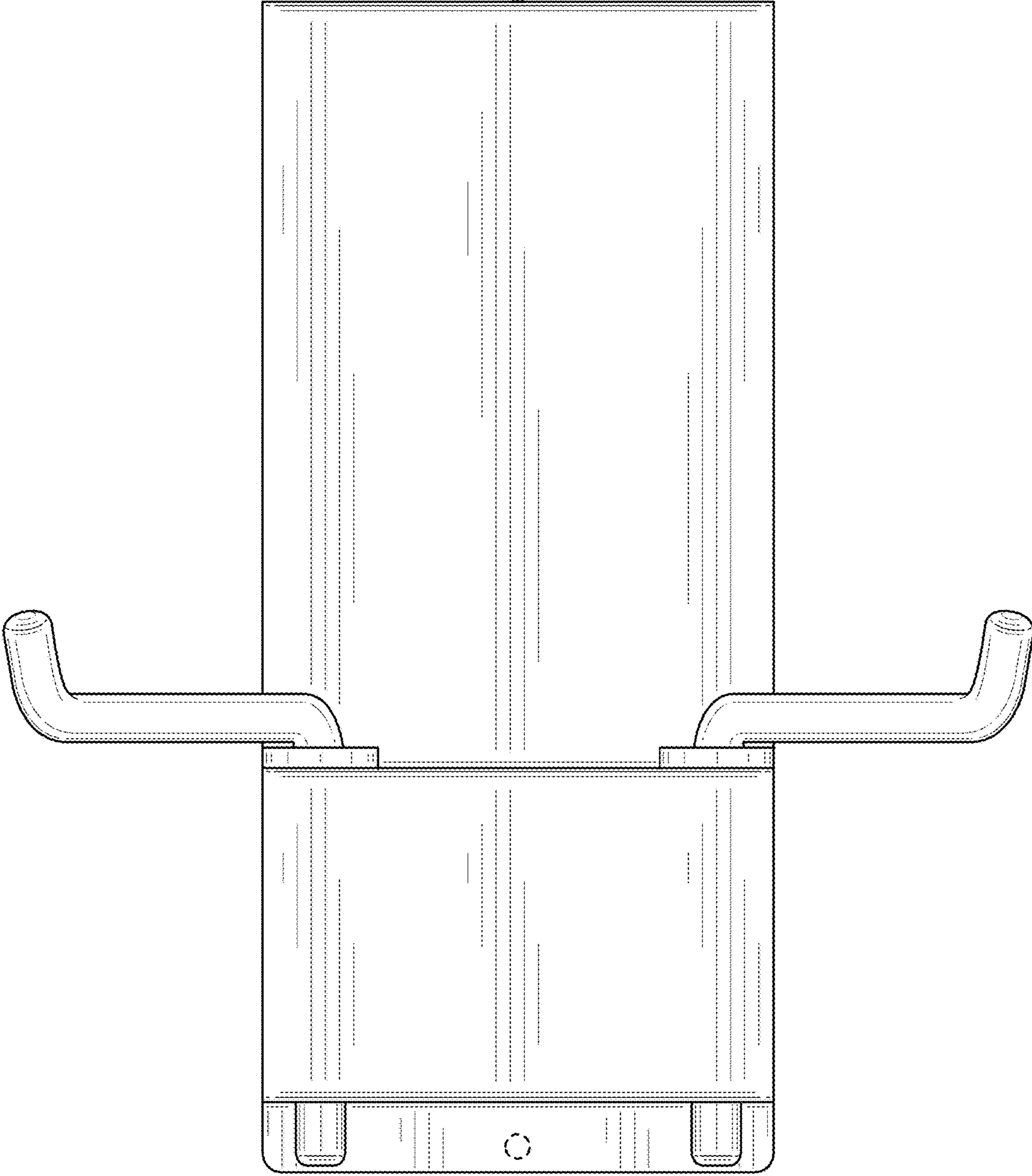


FIG. 5

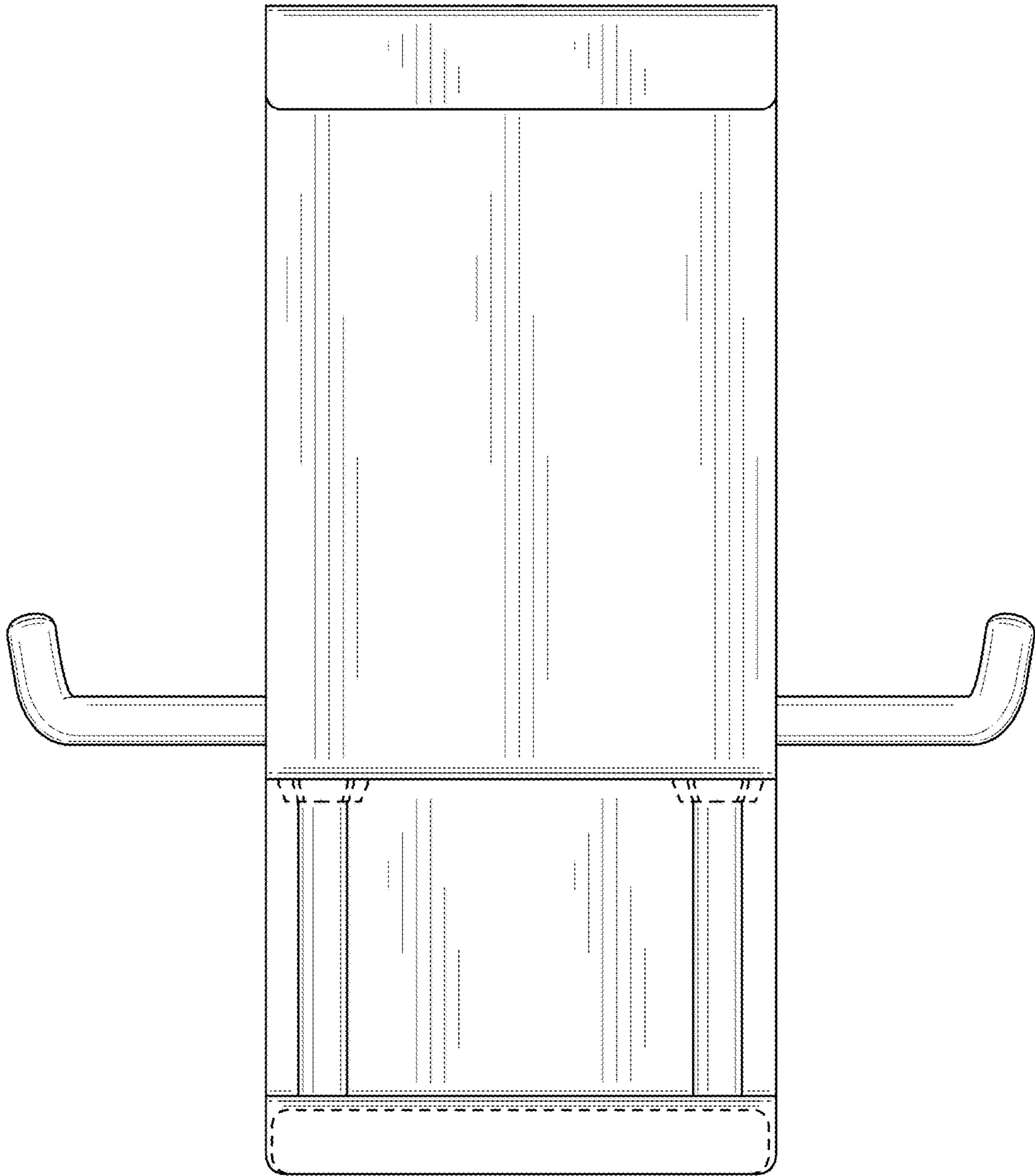


FIG. 6

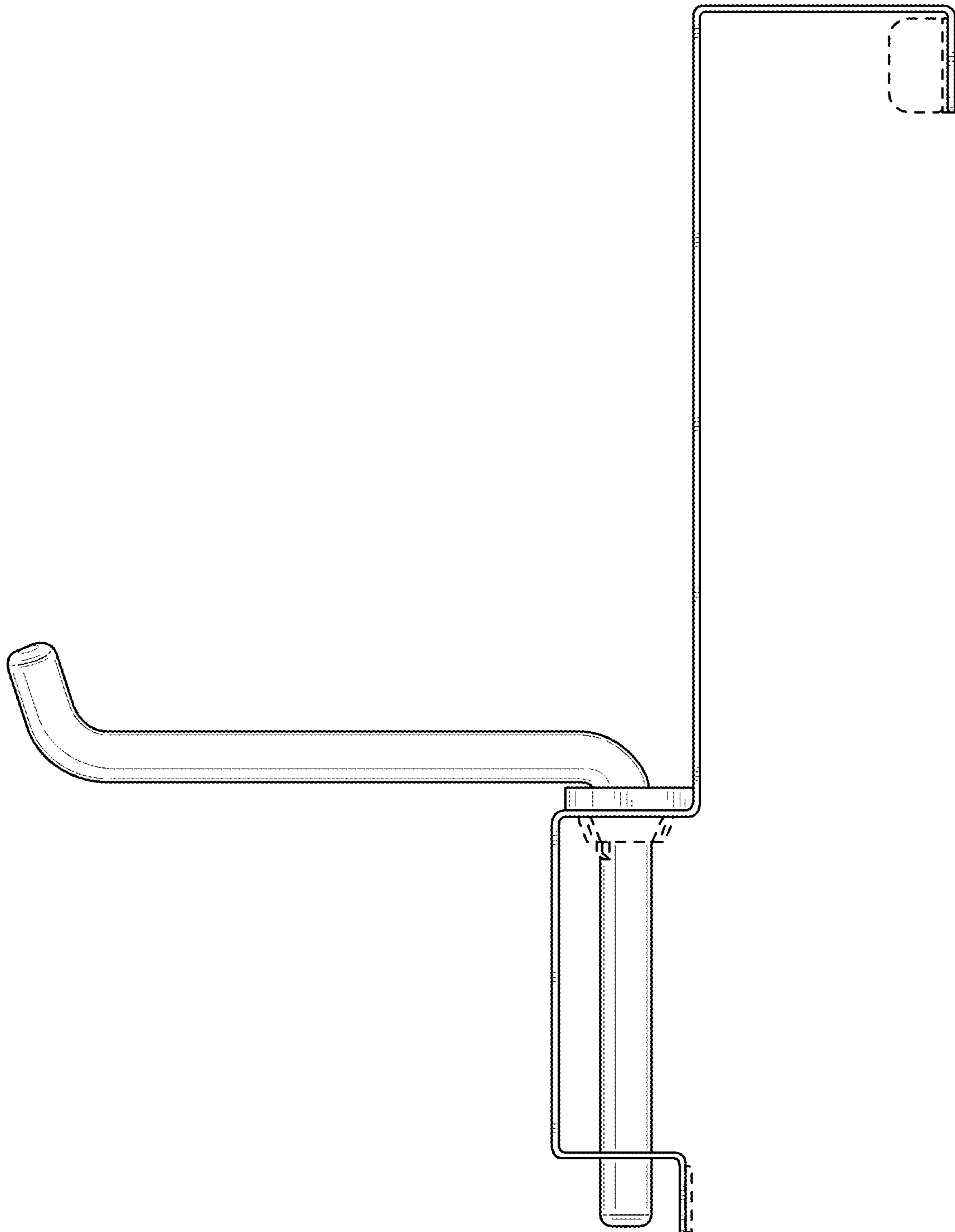


FIG. 7

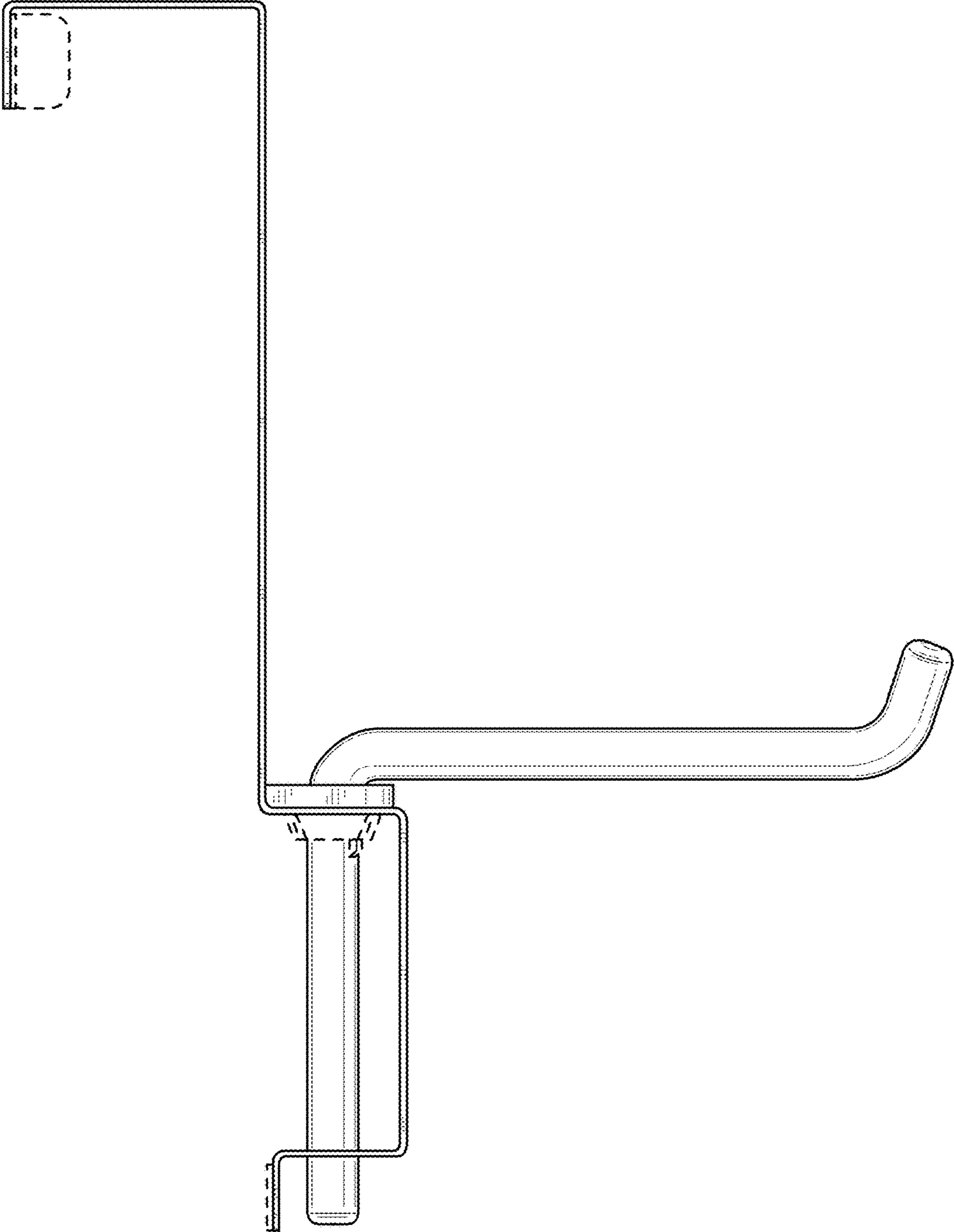


FIG. 8

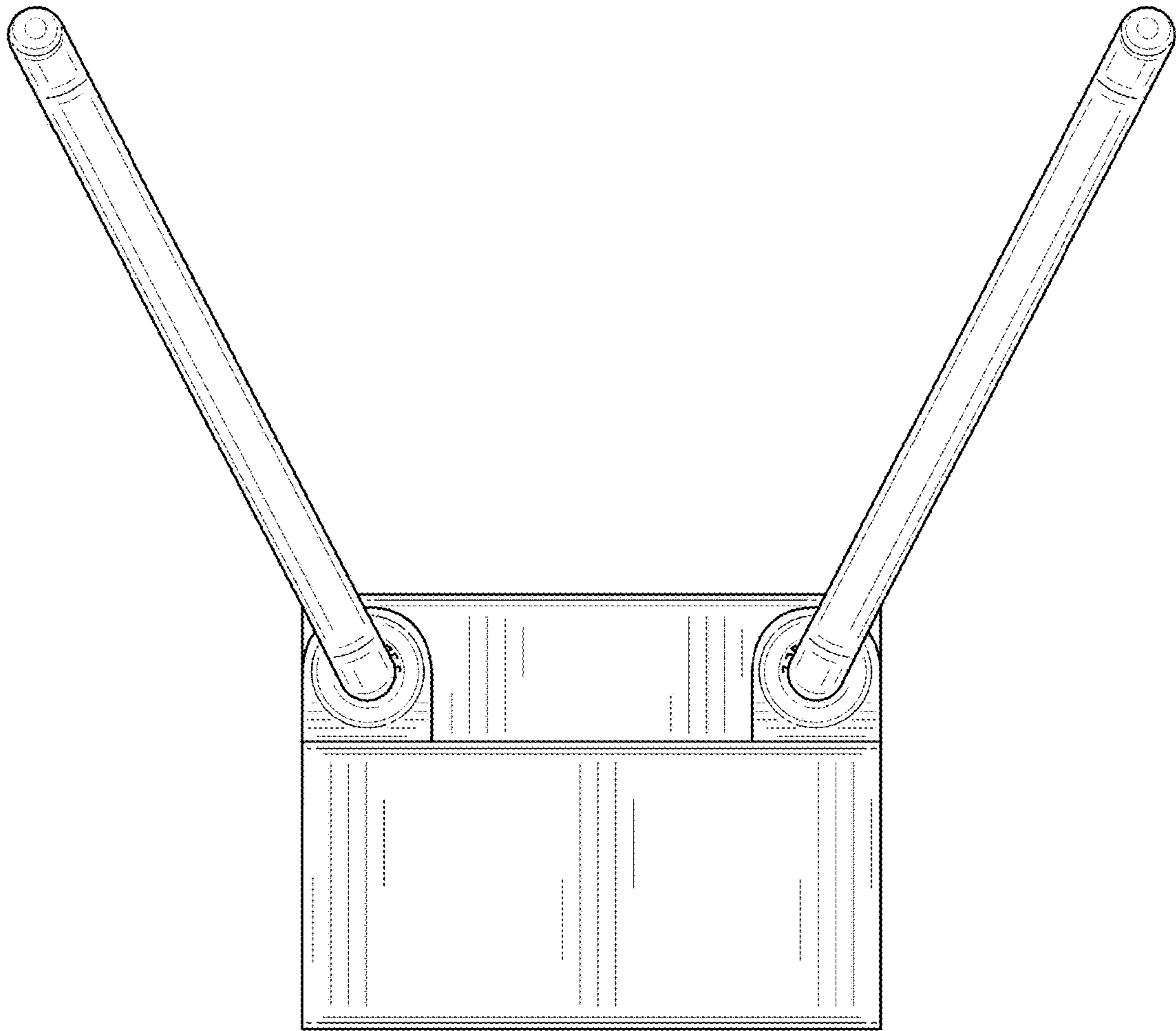


FIG. 9

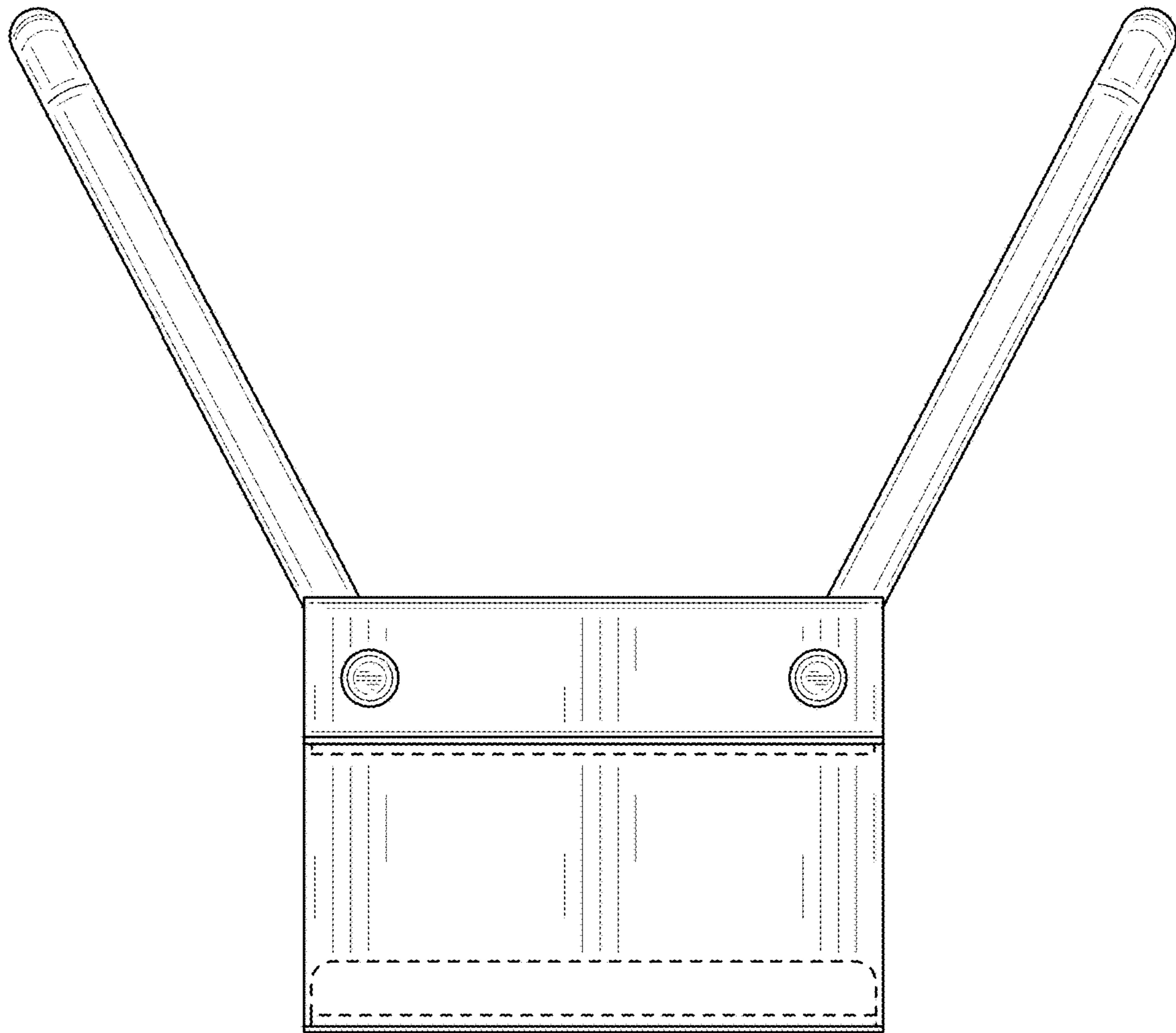


FIG. 10