



US00D798077S

(12) **United States Design Patent** (10) **Patent No.:** **US D798,077 S**  
**Schmitt** (45) **Date of Patent:** **\*\* Sep. 26, 2017**

(54) **BED**

(71) Applicant: **Jack Schmitt**, Mission Viejo, CA (US)

(72) Inventor: **Jack Schmitt**, Mission Viejo, CA (US)

(73) Assignee: **Amini Innovation Corporation**, Pico Rivera, CA (US)

(\*\*) Term: **15 Years**

(21) Appl. No.: **29/559,370**

(22) Filed: **Mar. 28, 2016**

(51) **LOC (10) Cl.** ..... **06-02**

(52) **U.S. Cl.**  
USPC ..... **D6/393**

(58) **Field of Classification Search**  
USPC ..... D6/382-384, 389, 393-395, 718.2,  
D6/718.24, 718.22, 718.23, 718.13  
CPC ..... A47C 17/00; A47C 19/00; A47C 19/02;  
A47C 19/022; A47D 7/00; A47D 7/01;  
A47D 11/005

See application file for complete search history.

(56) **References Cited**

**U.S. PATENT DOCUMENTS**

182,544 A	9/1876	Amaud	
1,087,573 A	2/1914	Dautrich	
D90,256 S	7/1933	McClure	
2,624,891 A	1/1953	Katzoff	
2,745,212 A	5/1956	Guzzino	
3,116,569 A	1/1964	Kramer	
3,351,960 A	11/1967	Burkholder	
4,080,674 A	3/1978	Fredman et al.	
D345,264 S *	3/1994	Stone	D6/382
D364,511 S *	11/1995	Berry, Jr.	D6/393
D367,773 S *	3/1996	Lewis	D6/393
D389,663 S	1/1998	Paus	
D402,833 S	12/1998	Hazen et al.	
D404,217 S	1/1999	Zaidman et al.	

(Continued)

**OTHER PUBLICATIONS**

America's Oak Furniture, Schiffer, 1988, Bed, p. 90.

(Continued)

*Primary Examiner* — Cathron Brooks

(74) *Attorney, Agent, or Firm* — Cislo & Thomas, LLP

(57) **CLAIM**

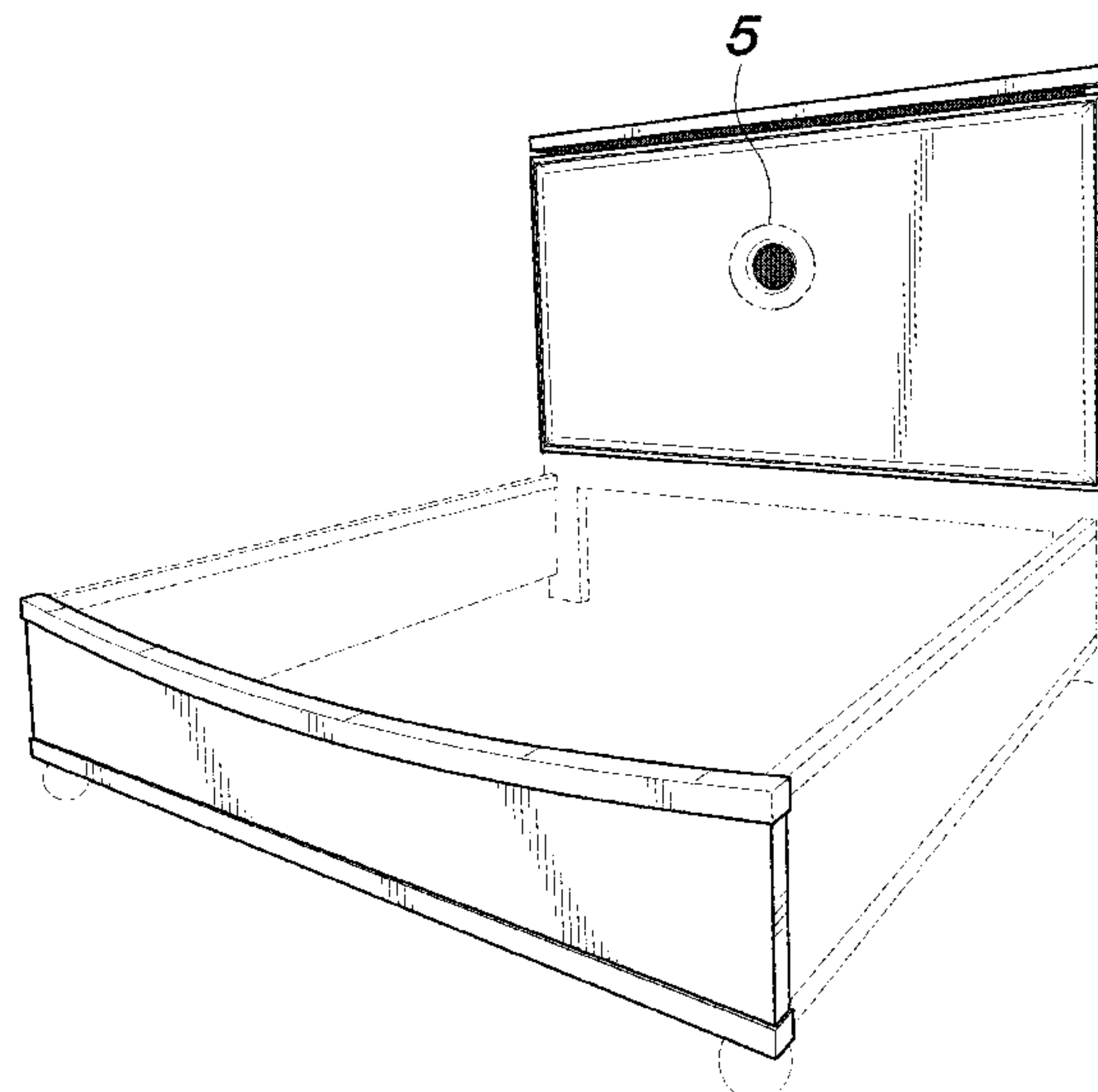
I claim the ornamental design for a bed, as shown and described.

**DESCRIPTION**

FIG. 1 is a perspective view of my bed;  
FIG. 2 is a front view thereof;  
FIG. 3 is a left side view, the right side (not shown) is a mirror image thereof;  
FIG. 4 is a top view thereof;  
FIG. 5 is a close up view of the area designated "5" in FIG. 1;  
FIG. 6 is a close up view of the area designated "6" in FIG. 5;  
FIG. 7 is a close up view of the area designated "7" in FIG. 2;  
FIG. 8 is a close up view of the area designated "8" in FIG. 7;  
FIG. 9 is a close up view of the area designated "9" in FIG. 3; and,  
FIG. 10 is a close up view of the area designated "10" in FIG. 9.

The broken lines illustrate portions of the bed that form no part of the claimed design. The dash-dot lines in FIGS. 1, 2, 3, 5, 6, 7, 8, 9 and 10 are used to indicate the detail areas shown in the enlarged partial views, but said dash-dot lines themselves form no part of the claimed design. The design features depicted inside of the solid circular lines in FIG. 5 represent design features that are understood to be distributed uniformly within the design element represented by the solid circular lines.

**1 Claim, 7 Drawing Sheets**



(56)

References Cited

U.S. PATENT DOCUMENTS

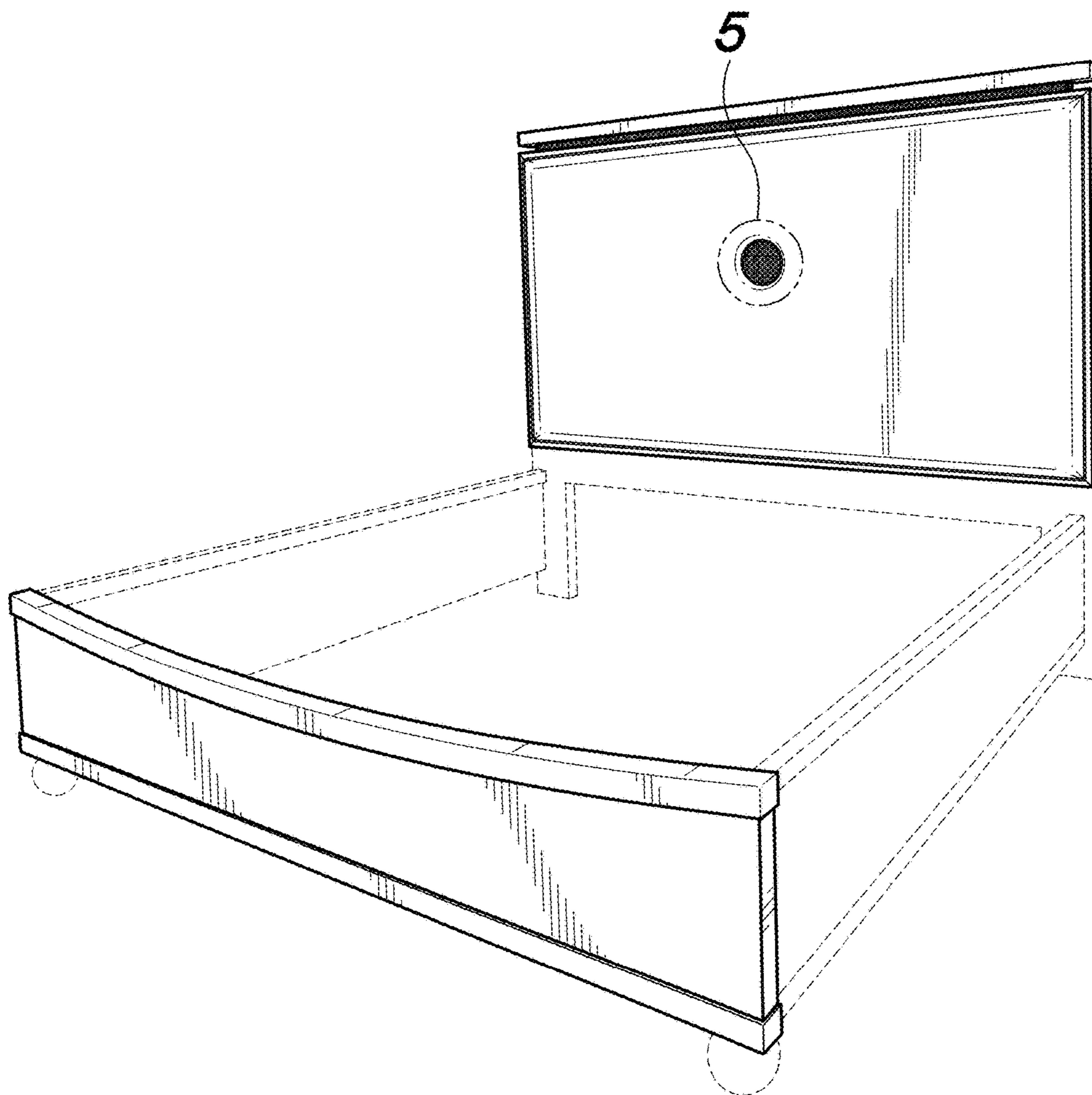
D433,246 S \* 11/2000 Pettifer ..... D6/382  
 D441,980 S 5/2001 McDaniel et al.  
 D443,432 S 6/2001 Vaaler  
 D443,433 S 6/2001 McDaniel et al.  
 D443,445 S 6/2001 O'Hare et al.  
 D443,446 S 6/2001 O'Hare et al.  
 D445,284 S 7/2001 Chen  
 D445,592 S 7/2001 O'Hare et al.  
 D449,939 S 11/2001 Vaaler  
 D450,472 S 11/2001 Dordoni  
 D455,909 S 4/2002 Wistehuff, Sr.  
 D457,346 S 5/2002 O'Hare  
 D459,120 S 6/2002 Stanton  
 D460,288 S 7/2002 Vaaler  
 D462,848 S 9/2002 Lenger  
 D462,849 S 9/2002 Lenger  
 D463,157 S 9/2002 Lenger  
 D465,682 S 11/2002 Prevost  
 D468,552 S 1/2003 O'Hare  
 D468,929 S 1/2003 Jones et al.  
 D470,329 S 2/2003 Vaaler  
 D470,330 S 2/2003 Vaaler  
 D470,331 S 2/2003 Stanton  
 D470,681 S 2/2003 O'Hare  
 D471,732 S 3/2003 Warren et al.  
 D472,068 S 3/2003 Risdon et al.  
 D473,064 S 4/2003 O'Hare  
 D474,917 S 5/2003 Risdon  
 D474,918 S 5/2003 Tobin, Jr.  
 D475,218 S 6/2003 Schmitt  
 D475,224 S 6/2003 Paus  
 D475,862 S 6/2003 McDaniel et al.  
 D484,329 S 12/2003 Risdon et al.  
 D486,666 S \* 2/2004 O'Hare ..... D6/393  
 D487,199 S 3/2004 Schmitt  
 D487,363 S 3/2004 Schmitt  
 D492,502 S \* 7/2004 Domack ..... D6/393  
 D493,976 S 8/2004 Bergelin  
 D497,749 S 11/2004 Mohundro  
 D499,588 S 12/2004 Mohundro  
 D499,910 S 12/2004 Mohundro  
 D499,912 S 12/2004 Mohundro  
 D505,563 S 5/2005 Hutton  
 D507,913 S \* 8/2005 Paus ..... D6/718  
 D508,626 S 8/2005 Schmitt  
 D510,494 S \* 10/2005 Juneau ..... D6/718.13  
 D518,321 S 4/2006 Schmitt  
 D518,973 S 4/2006 Domack et al.  
 D519,308 S 4/2006 Schmitt  
 D519,764 S 5/2006 O'Hare  
 D520,774 S \* 5/2006 Boudreau ..... D6/393

D523,658 S \* 6/2006 Mohundro ..... D6/393  
 D526,140 S \* 8/2006 Cook ..... D6/393  
 D527,925 S 9/2006 Domack et al.  
 D528,834 S 9/2006 Schmitt  
 D531,841 S 11/2006 Schmitt  
 D531,842 S 11/2006 Schmitt  
 D535,135 S 1/2007 Schmitt  
 D535,136 S 1/2007 Schmitt  
 D535,507 S 1/2007 Schmitt  
 D535,508 S 1/2007 Schmitt  
 D536,558 S 2/2007 Schmitt  
 D536,913 S 2/2007 Schmitt  
 D536,914 S 2/2007 Schmitt  
 D538,087 S 3/2007 Schmitt  
 D542,566 S 5/2007 Boerner et al.  
 D543,050 S 5/2007 Mohundro  
 D543,051 S \* 5/2007 Kingsley ..... D6/393  
 D554,388 S 11/2007 Leigh  
 D554,398 S 11/2007 Donner  
 D558,496 S 1/2008 O'Hare et al.  
 D564,777 S 3/2008 Mohundro  
 D568,075 S 5/2008 Schmitt  
 D568,076 S 5/2008 Schmitt  
 D570,627 S 6/2008 Thompson  
 D575,076 S 8/2008 Bacon et al.  
 D585,660 S 2/2009 Domack et al.  
 D585,679 S 2/2009 Domack et al.  
 D601,832 S 10/2009 Schmitt  
 D638,642 S 5/2011 Schmitt  
 D639,578 S 6/2011 Dordoni  
 D641,187 S 7/2011 Schopmeyer  
 D642,836 S 8/2011 Schmitt  
 D663,977 S 7/2012 Schmitt  
 D741,083 S \* 10/2015 Kim ..... D6/393

OTHER PUBLICATIONS

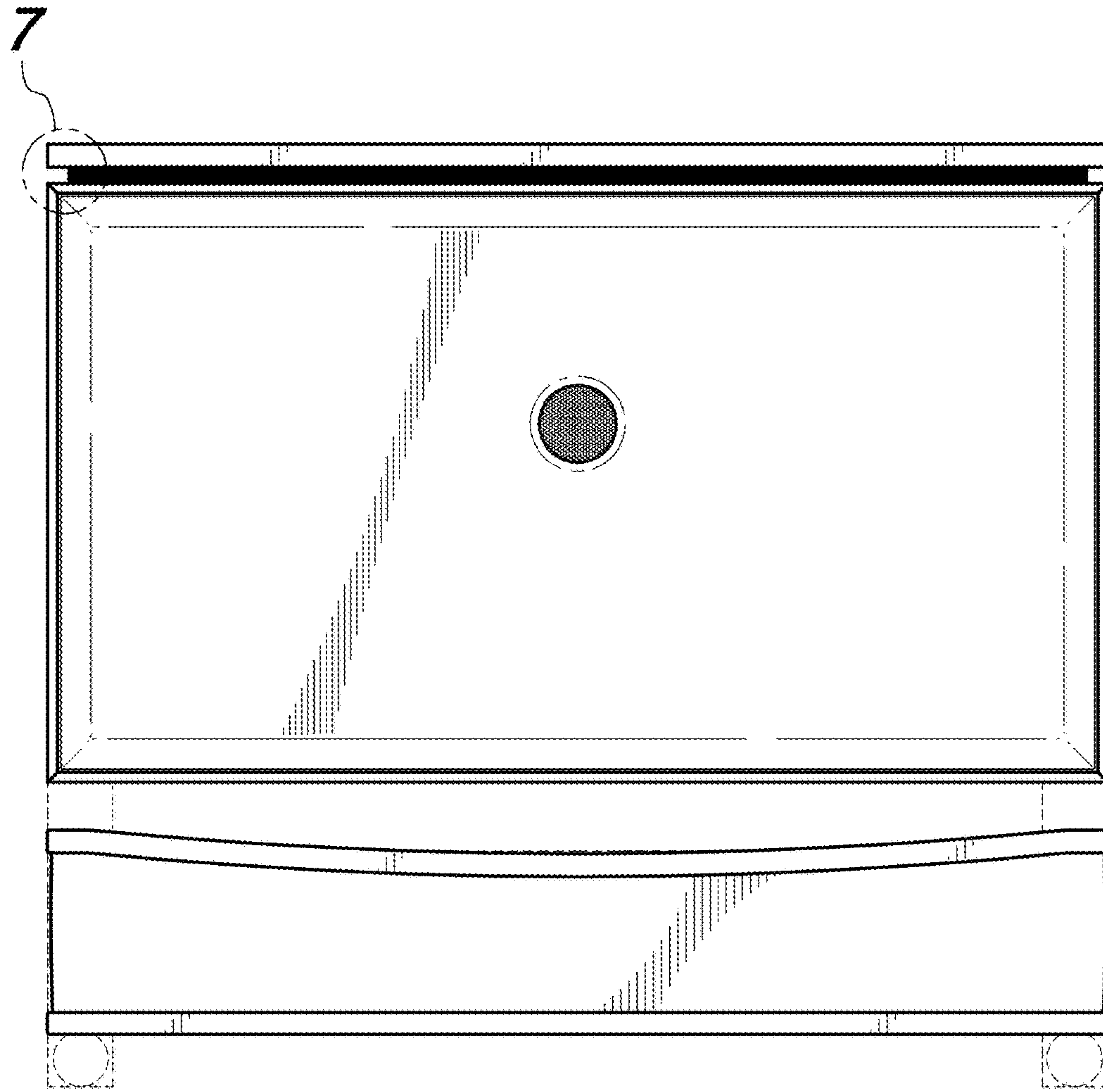
Furniture Today, Genoa Collection Bed, p. 14, Oct. 11, 1999.  
 Furniture Today, Source Mktg. Bed, p. 192, Oct. 14, 2002.  
 Amini Innovation Corp., Monte Carlo Collection, #53000 Series, 2001, 1 page.  
 Amini Innovation Corp., La Francaise Collection, #50000 Series, Sep. 11, 2002, 3 pages.  
 Amini Innovation Corp., Royal Oak Collection, #31000 Series, Sep. 11, 2002, 1 page.  
 Amini Innovation Corp., Torino Collection, #56000 Series, Apr. 18, 2002, 1 page.  
 Ethan Allen Circular, Legacy Collection Iron Hoop Bed, p. 5, 1996.  
 Amini Innovation Corp., Paradision Collection, #52000 Series, 2003, 1 page.  
 Amini Innovation Corp., Trevi Collection, Sep. 20, 2004, 2 pages.

\* cited by examiner

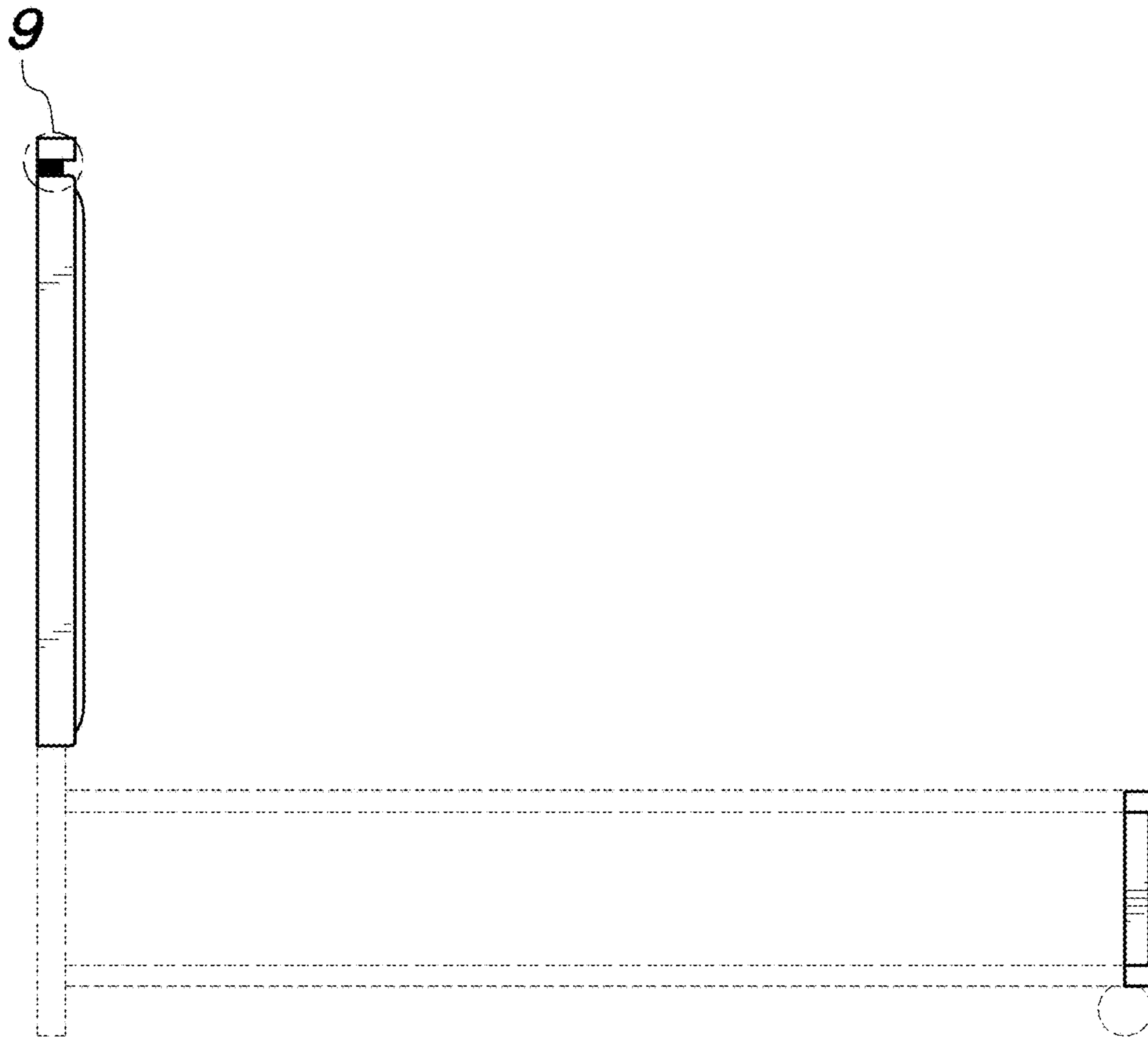


**FIG. 1**





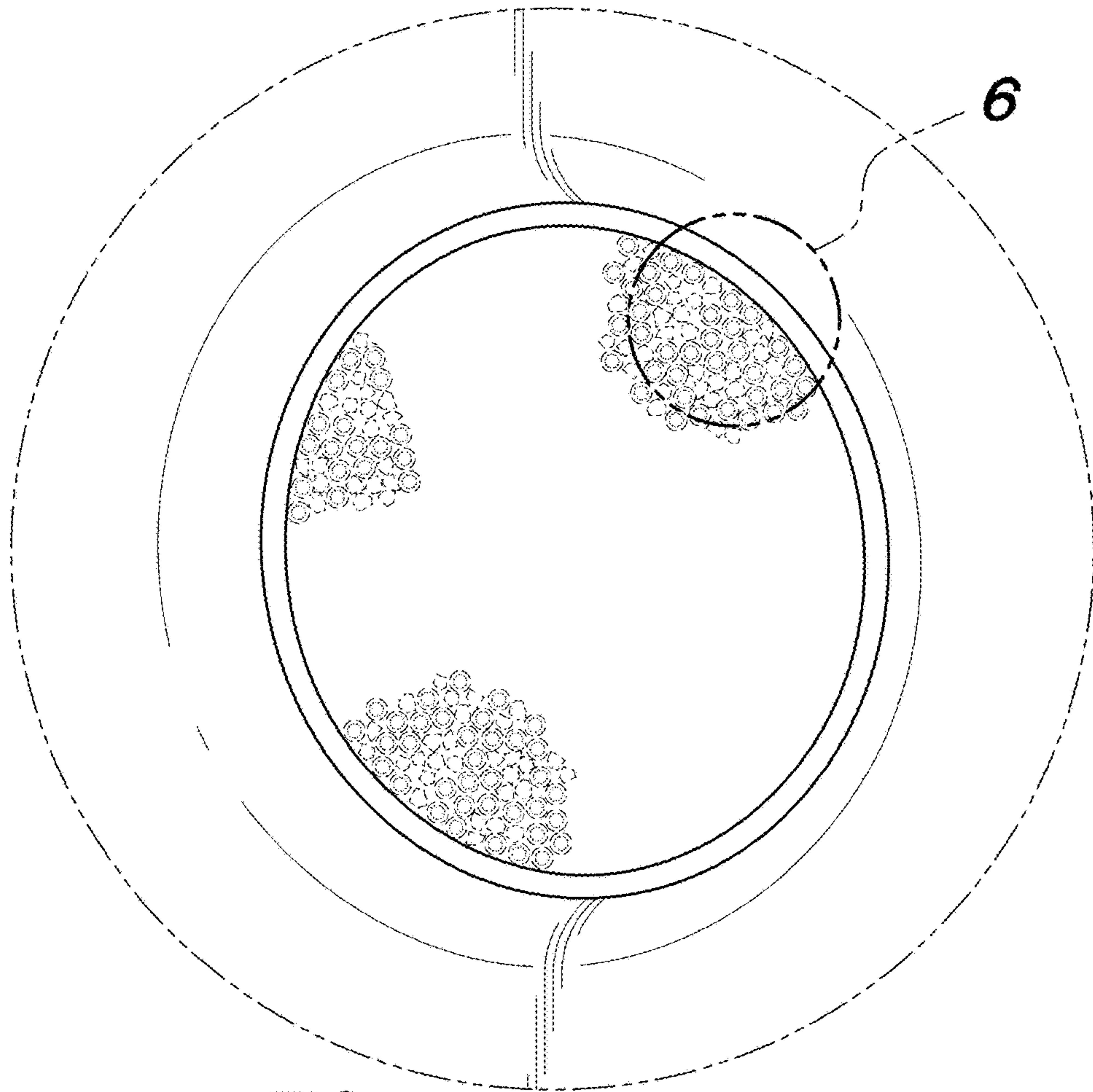
**FIG. 2**



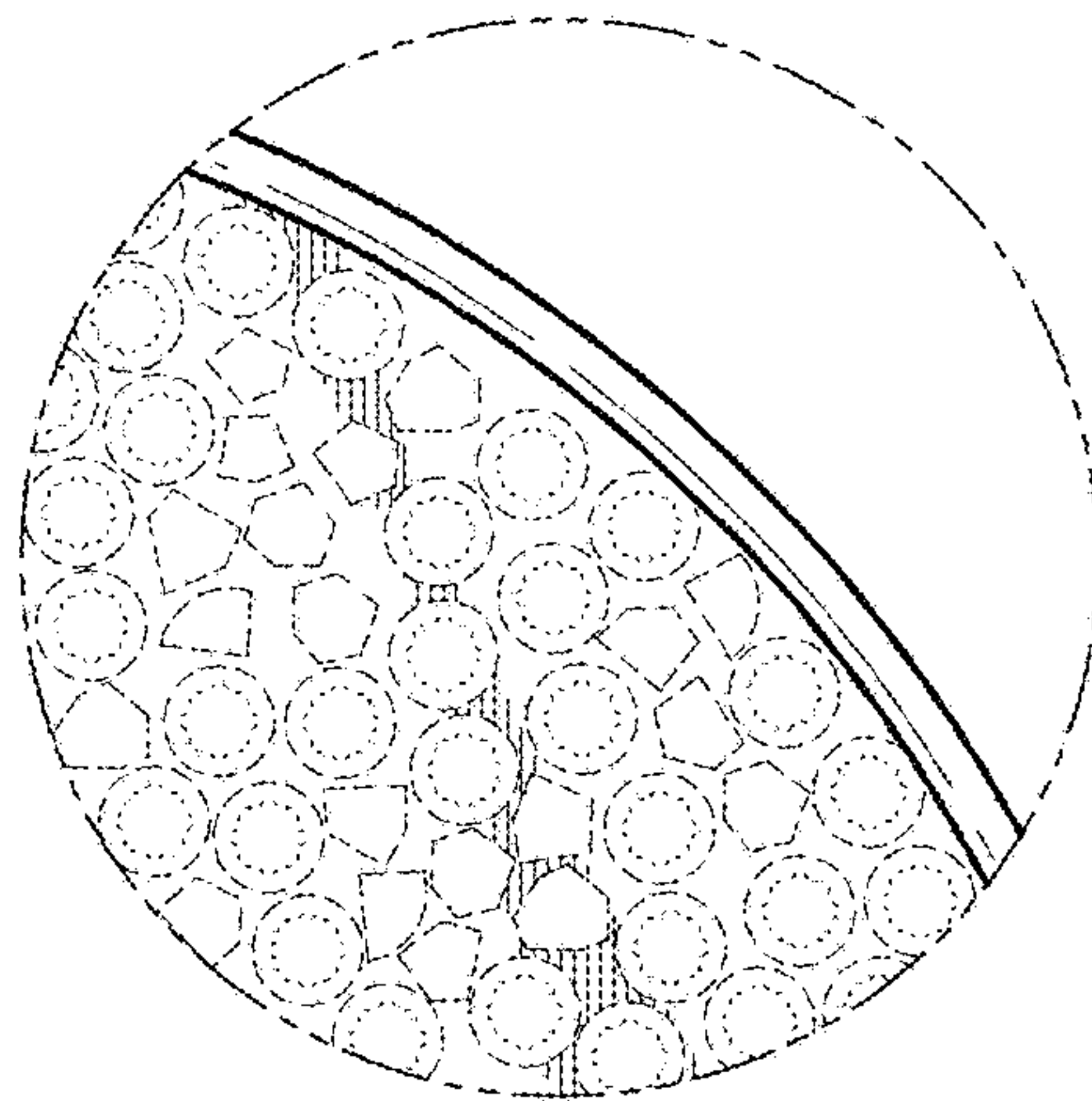
**FIG. 3**



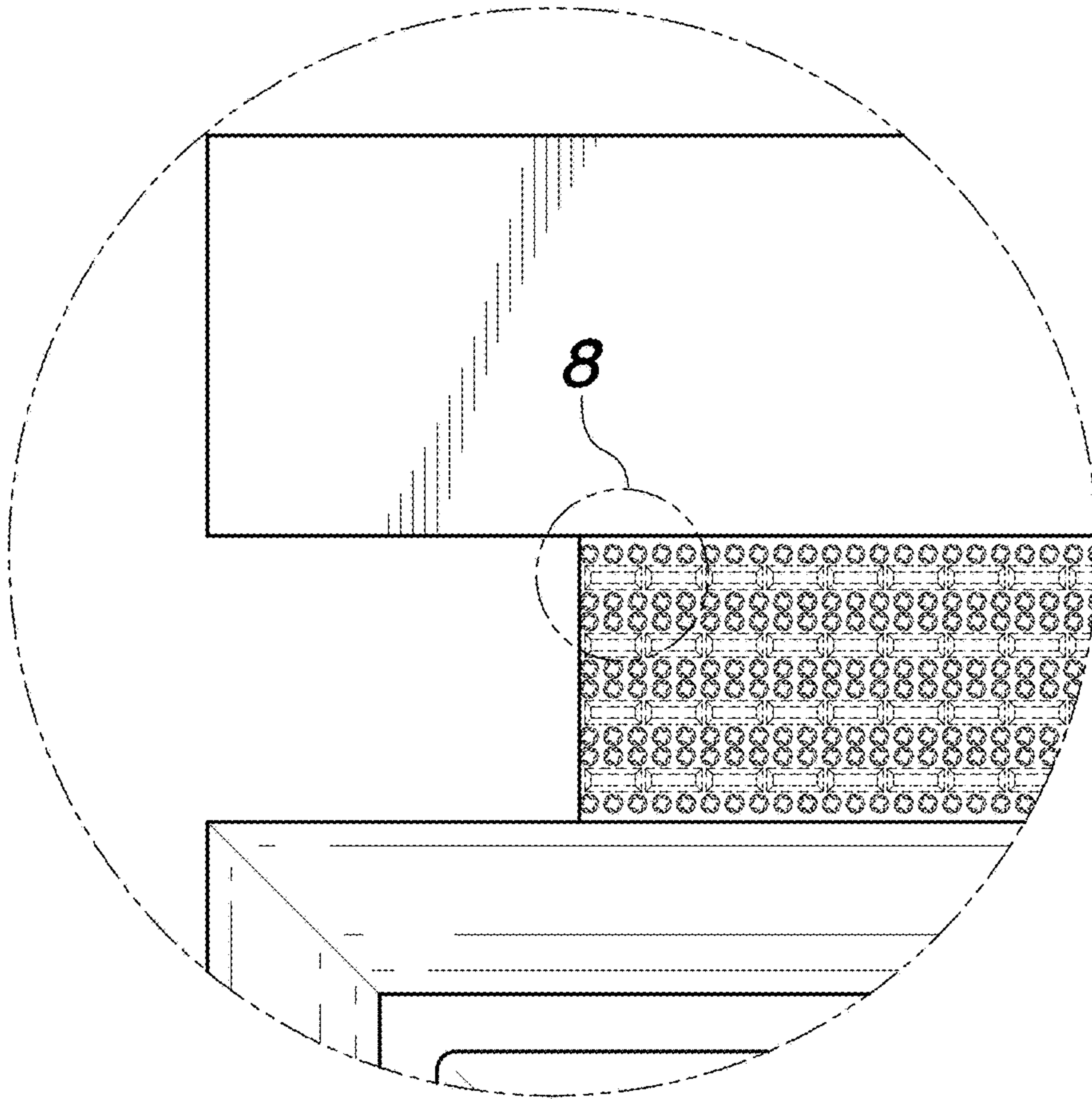
**FIG. 4**



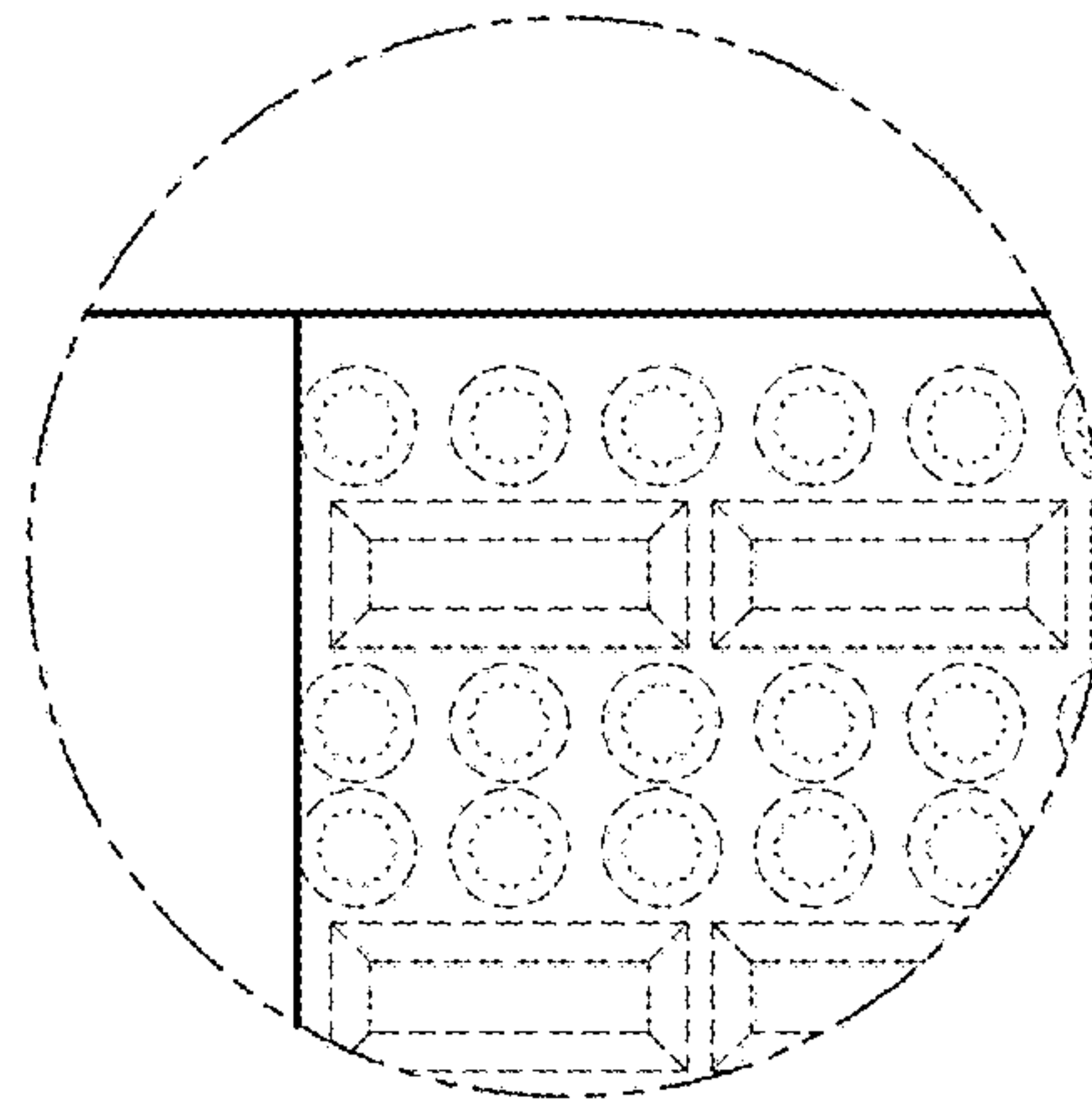
**FIG. 5**



**FIG. 6**

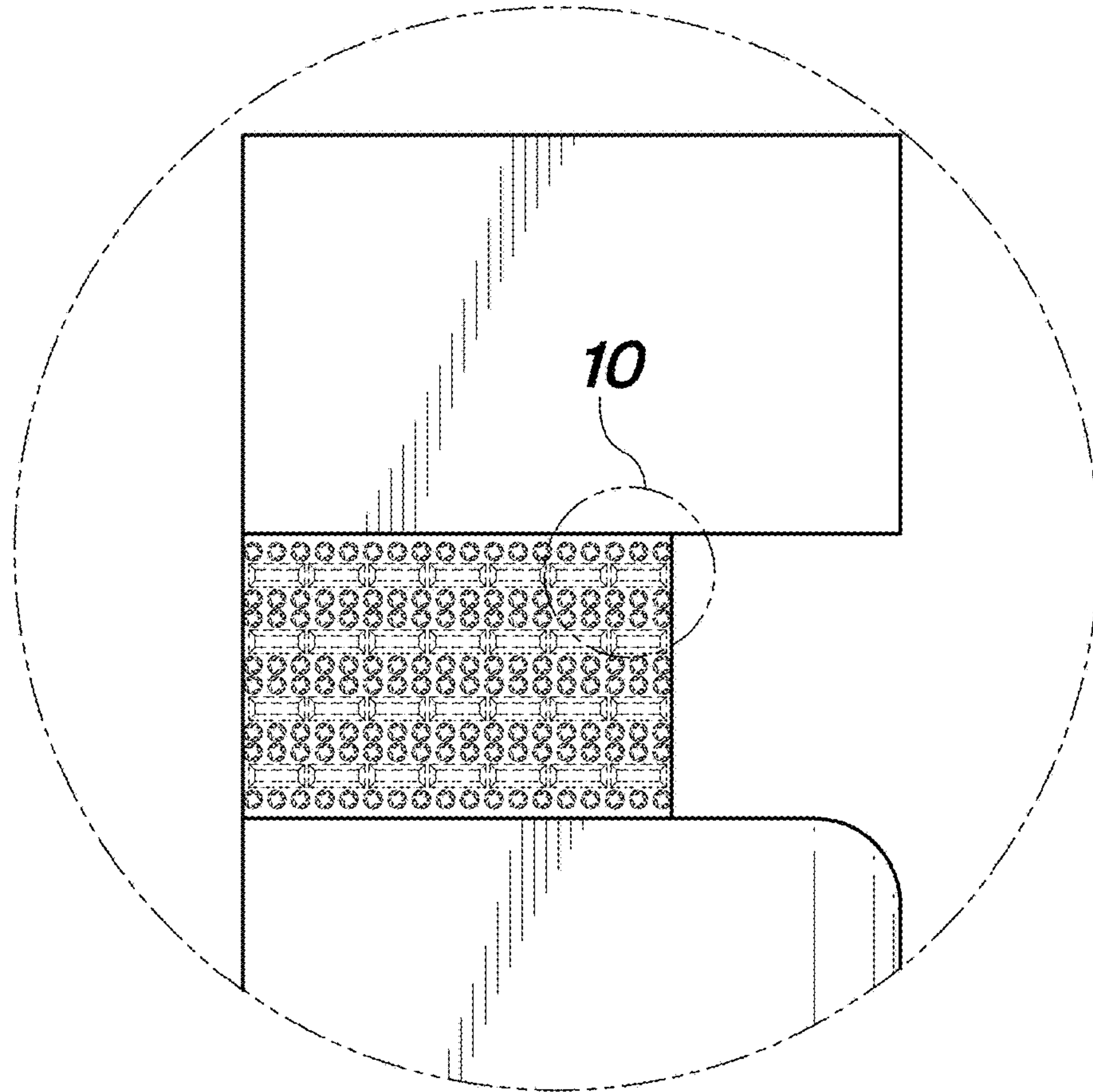


**FIG. 7**

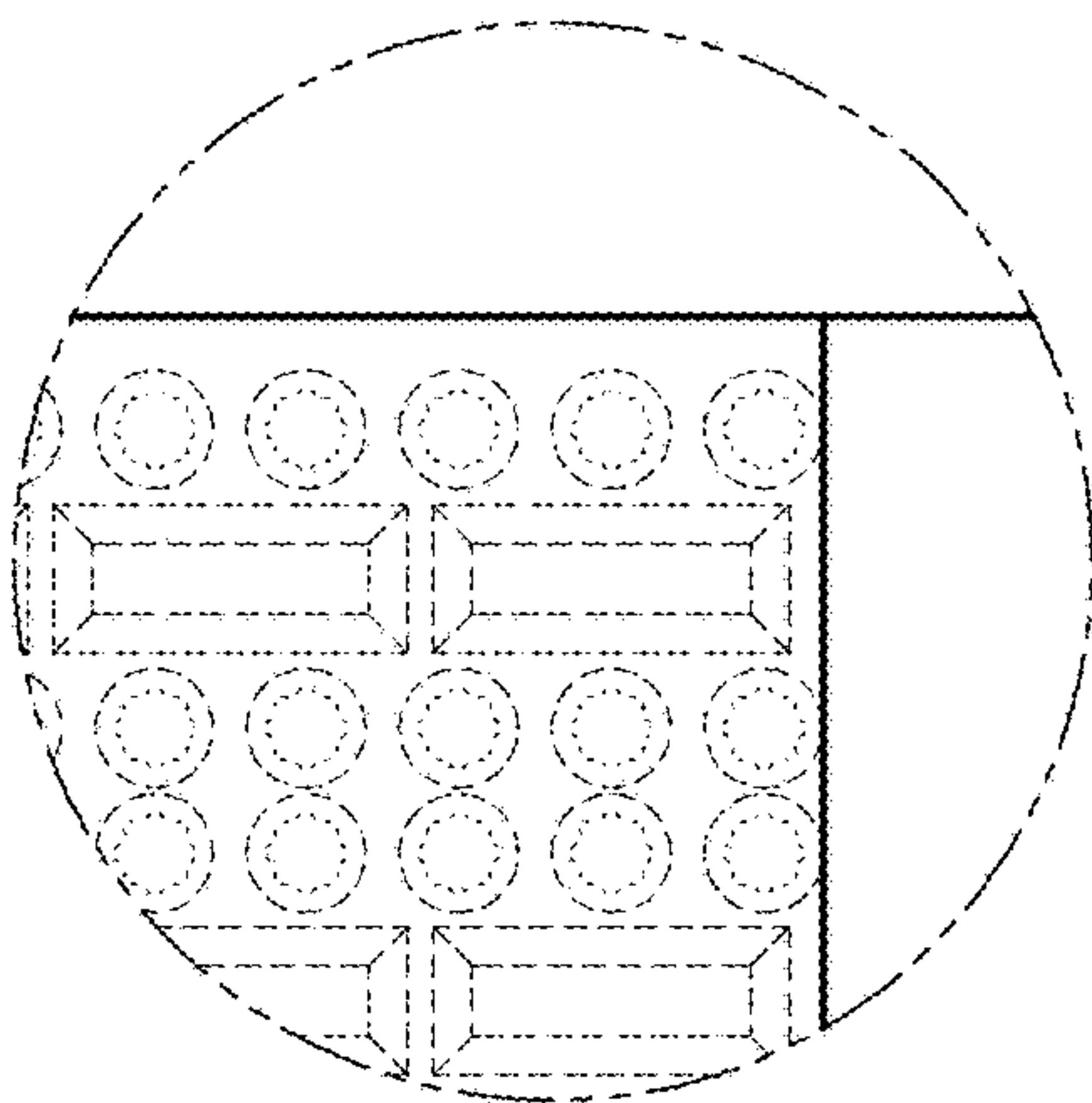


**FIG. 8**





**FIG. 9**



**FIG. 10**