



US00D798076S

(12) **United States Design Patent** (10) **Patent No.:** **US D798,076 S**
Asner (45) **Date of Patent:** **** Sep. 26, 2017**

(54) **BENCH**
(71) Applicant: **COUNTRY CASUAL TEAK, INC.,**
Gaithersburg, MD (US)
(72) Inventor: **Kimberly E. Asner,** Baltimore, MD
(US)
(73) Assignee: **Country Casual Teak, Inc.,**
Gaithersburg, MD (US)
(**) Term: **15 Years**

D585,211 S * 1/2009 Rizzi D6/381
D601,361 S * 10/2009 Schwartz D6/370
D601,820 S * 10/2009 Schwartz D6/370
D607,229 S * 1/2010 Skalka D6/381
D680,346 S * 4/2013 Pedersen D6/370
D710,139 S * 8/2014 Skalka D6/717
D710,625 S * 8/2014 Skalka D6/370
D711,661 S * 8/2014 Vanderminden D6/370
D714,565 S * 10/2014 Davis D6/370
D719,368 S * 12/2014 Karasek D6/370
D724,341 S * 3/2015 Mila Valcarcel D6/370
D734,631 S * 7/2015 Velez D6/349
D737,085 S * 8/2015 Velez D6/708.16
D747,906 S * 1/2016 Paz D6/717

(Continued)

(21) Appl. No.: **29/572,057**

(22) Filed: **Jul. 25, 2016**

(51) **LOC (10) Cl.** **06-01**

(52) **U.S. Cl.**
USPC **D6/370**

(58) **Field of Classification Search**
USPC D6/334, 344, 345, 348, 349, 358,
D6/368-371, 373, 381, 708, 708.16, 717,
D6/364; D11/184; D21/521
CPC A47B 5/04; A47C 3/0255; A47C 4/03;
A47C 4/04; A47C 4/022; A47C 7/405;
A47C 11/00; Y10T 403/38
See application file for complete search history.

(56) **References Cited**

U.S. PATENT DOCUMENTS

3,511,536 A * 5/1970 Suzuki A47C 4/022
297/450.1
D253,142 S * 10/1979 Herman 297/232
6,299,251 B1 * 10/2001 Harper A47C 4/04
297/331
D473,391 S * 4/2003 Haney A47C 11/00
D6/370
D486,664 S * 2/2004 Pappas D6/381
6,695,401 B1 * 2/2004 Noll A47C 3/0255
297/259.3
D529,736 S * 10/2006 McCurry D6/717

OTHER PUBLICATIONS

“Phat Tommy Fushion Steel / Wood Park Bench” Sep. 9, 2013,
wayfair.com, site visited Jul. 13, 2017 <<https://www.wayfair.com/Buyers-Choice-Phat-Tommy-Fushion-Steel-Wood-Park-Bench-BYU1246.html>>.*

(Continued)

Primary Examiner — Kevin Rudzinski
Assistant Examiner — Paul Bohannon
(74) *Attorney, Agent, or Firm* — Rosenberg, Klein & Lee

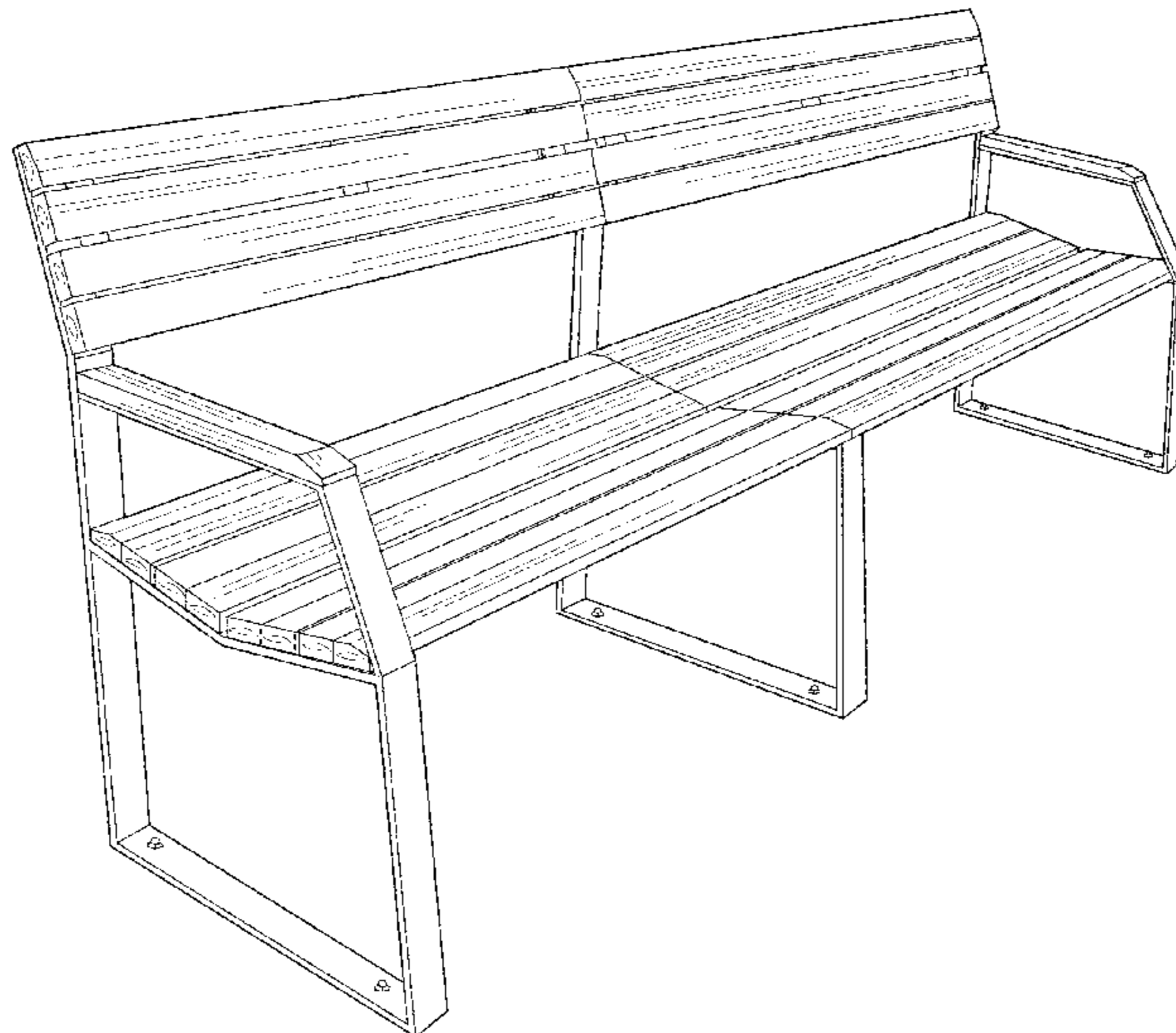
(57) **CLAIM**

The ornamental design for a bench, as shown and described.

DESCRIPTION

FIG. 1 is a front perspective view of a bench, showing my new design;
FIG. 2 is a left elevational view thereof, the right elevational view being a mirror image of the left elevational view;
FIG. 3 is a front elevational view thereof;
FIG. 4 is a bottom plan view thereof;
FIG. 5 is a top plan view thereof; and,
FIG. 6 is a rear elevational view thereof.

1 Claim, 6 Drawing Sheets



(56)

References Cited

U.S. PATENT DOCUMENTS

9,565,946 B1 * 2/2017 Watton A47C 7/405
D780,495 S * 3/2017 Paz D6/708.16
D785,354 S * 5/2017 Lin D6/368
D786,000 S * 5/2017 Gerard D6/717
D790,243 S * 6/2017 Georgiadis D6/371
2003/0197402 A1 * 10/2003 McCutcheon A47B 85/04
297/125
2003/0209928 A1 * 11/2003 Haney A47C 3/0255
297/281
2003/0209934 A1 * 11/2003 Haney A47C 11/00
297/440.15

OTHER PUBLICATIONS

“Park Bench” Feb. 9, 2014, furniturevilla.com, site visited Jul. 13, 2017 <<http://furniturevilla.com/patio-furniture-in-okotoks-ab.html>>.*

* cited by examiner

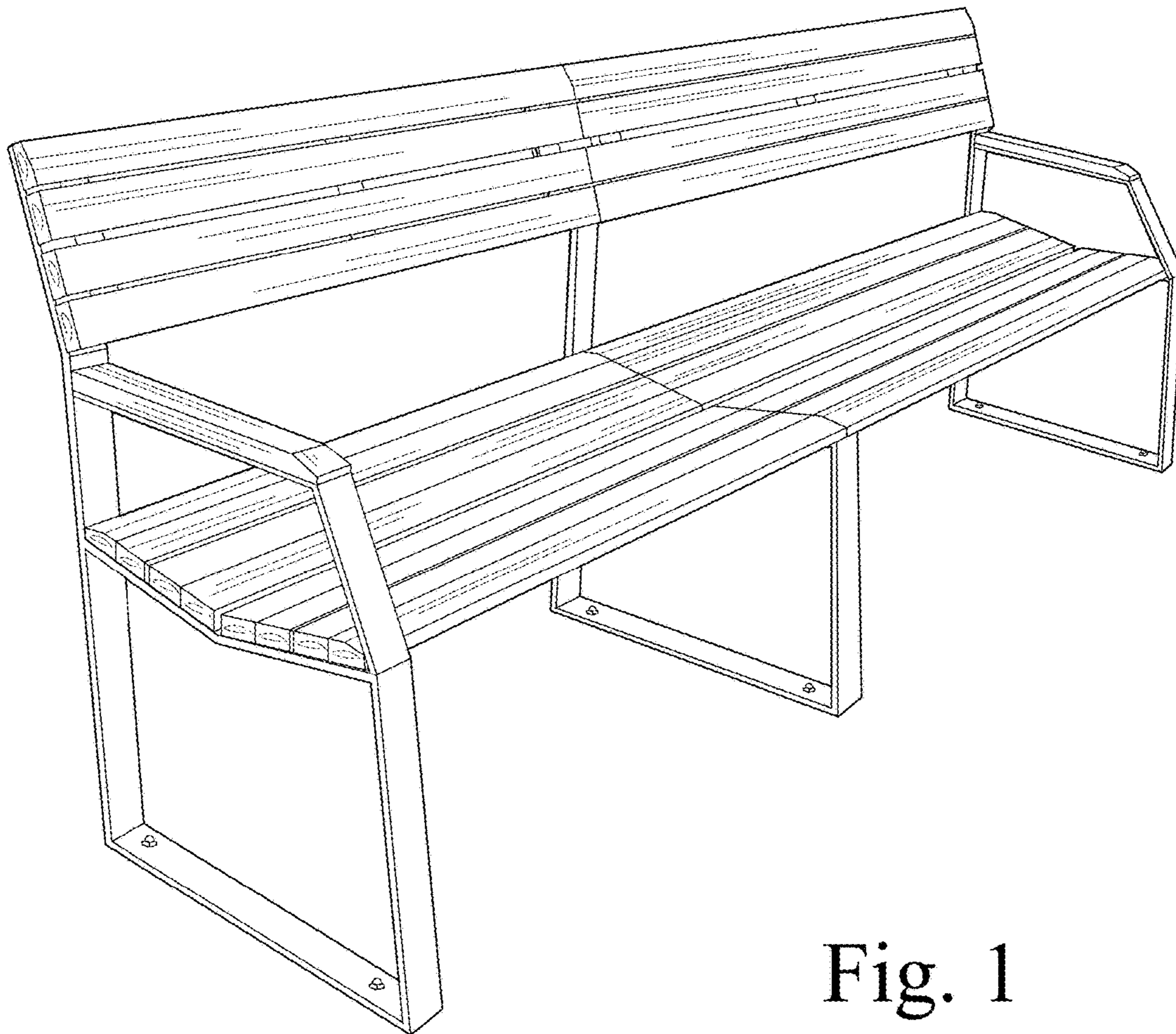


Fig. 1

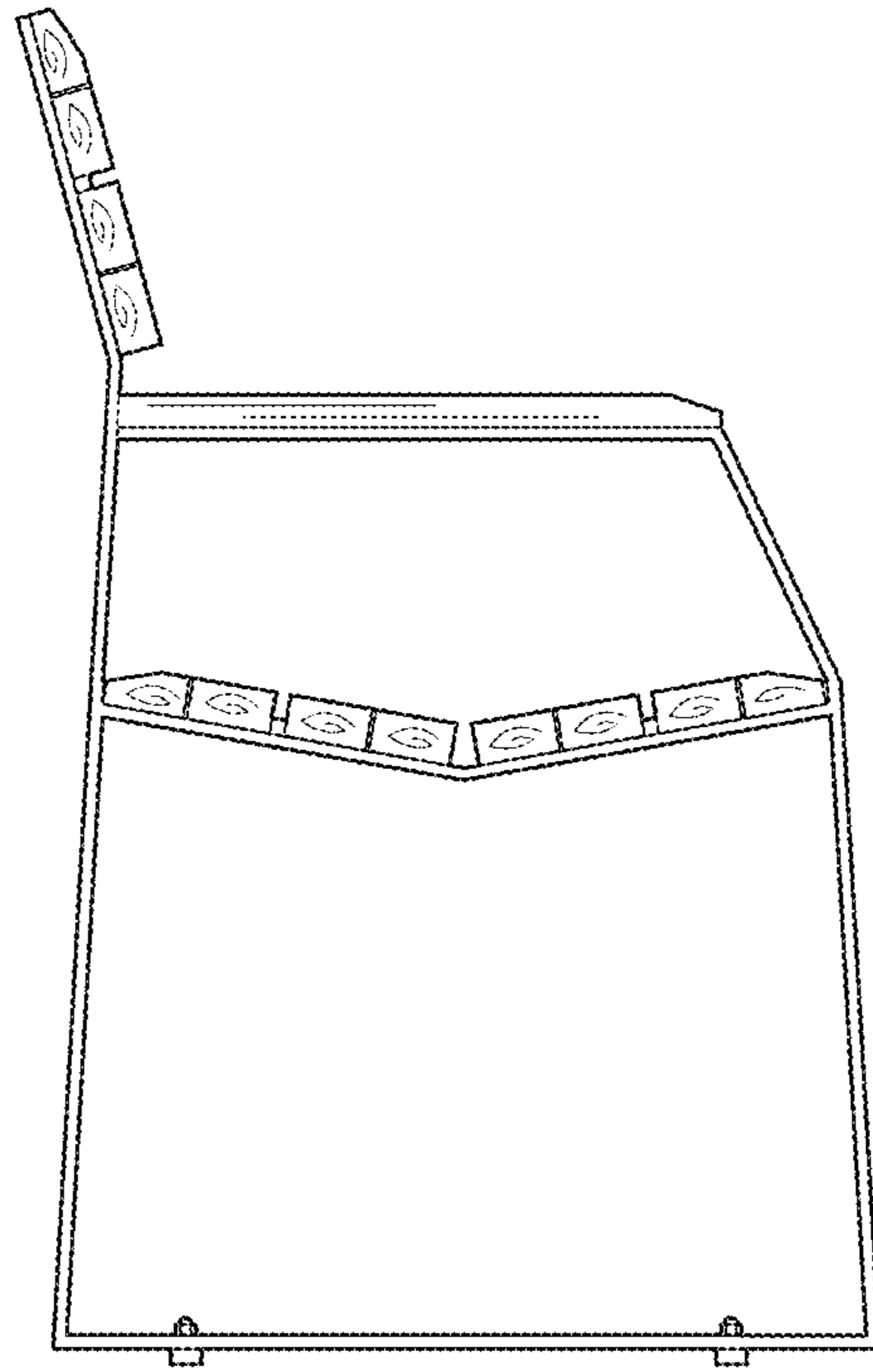


Fig. 2

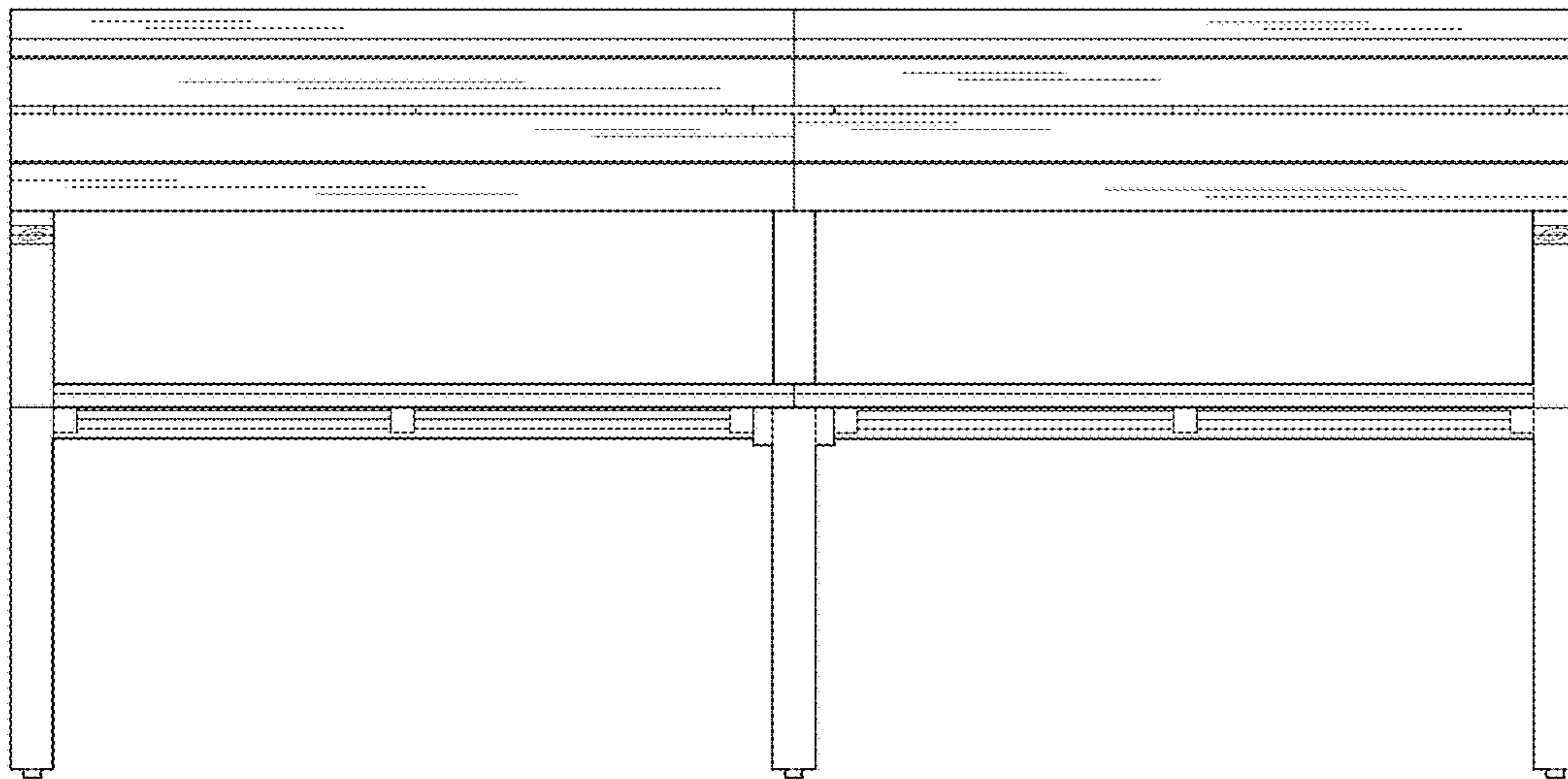


Fig. 3

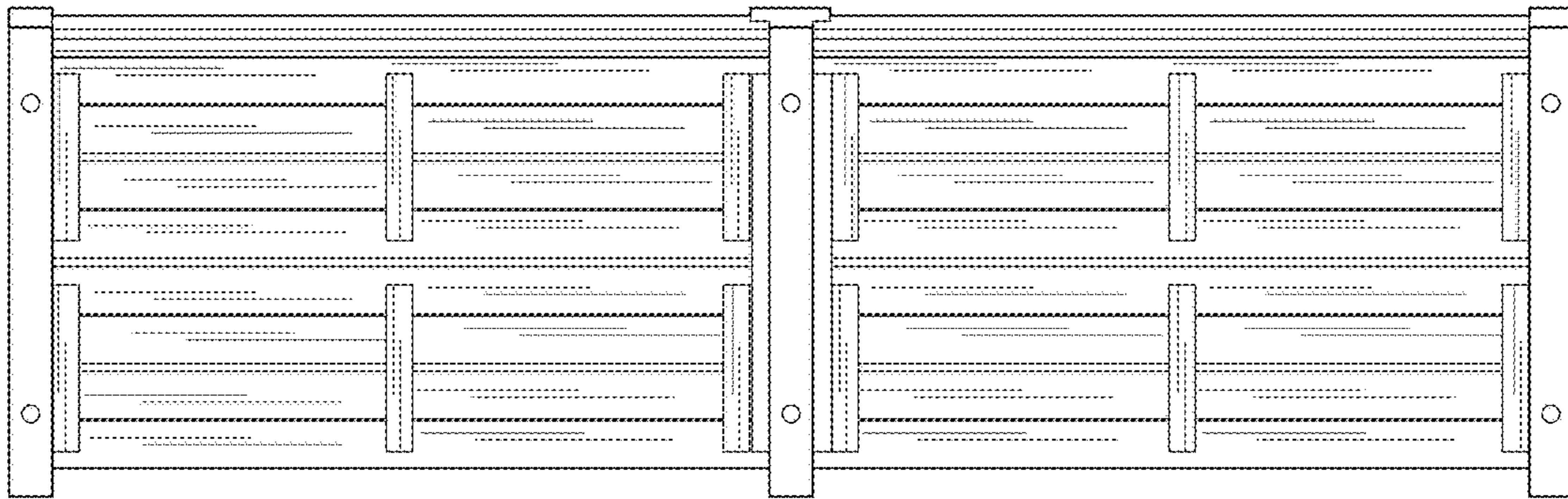


Fig. 4

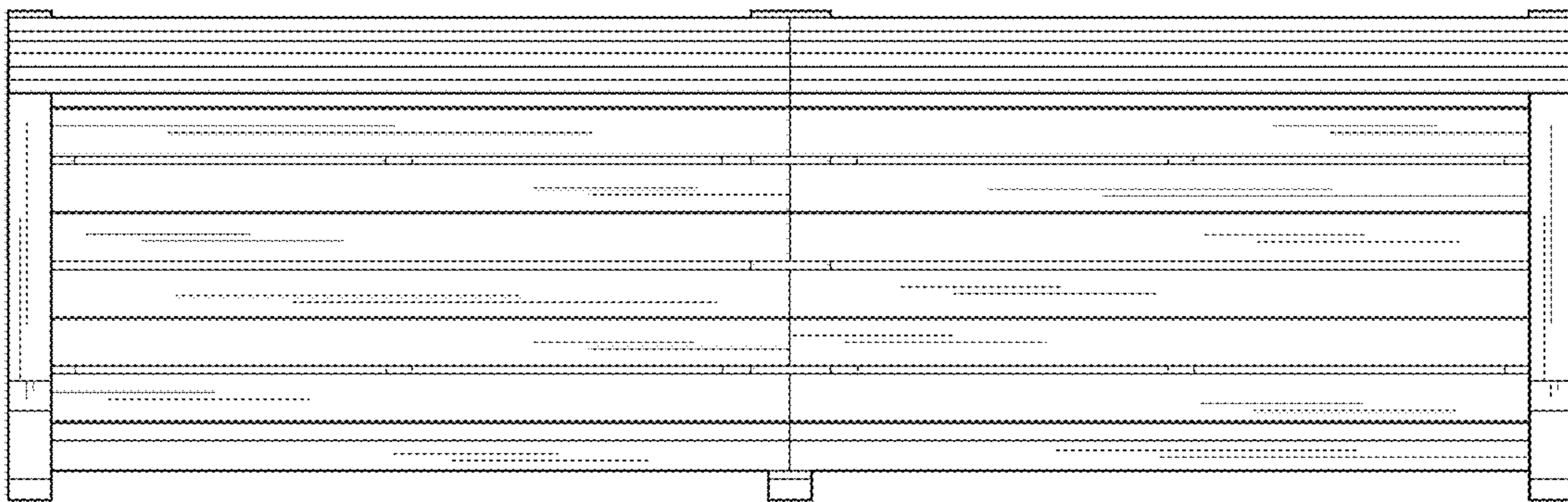


Fig. 5

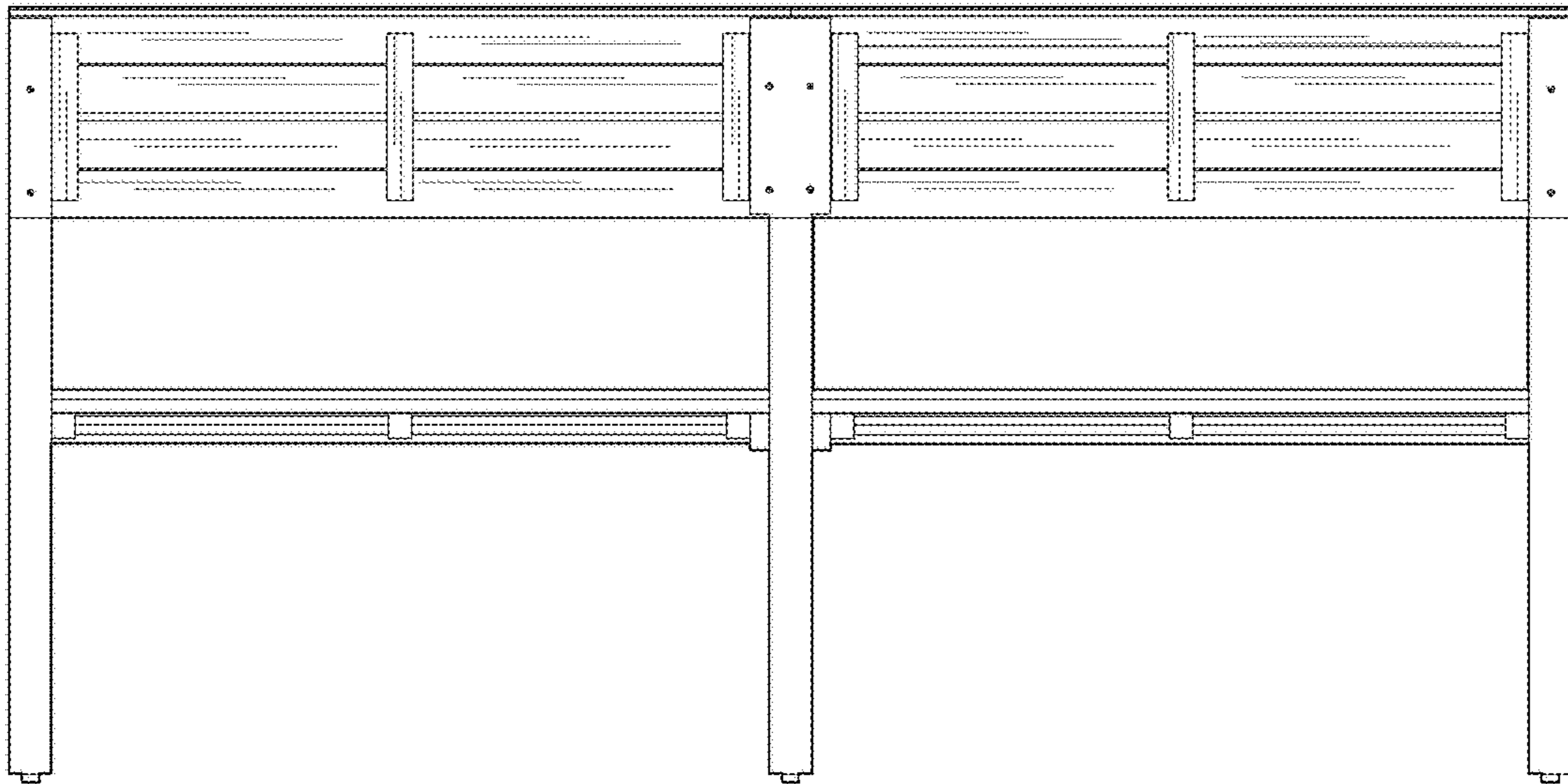


Fig. 6