



US00D798075S

(12) **United States Design Patent** (10) **Patent No.:** **US D798,075 S**
Foley (45) **Date of Patent:** **** Sep. 26, 2017**

(54) **CHAIR**

(71) Applicant: **DSA International, Inc.**, Zeeland, MI (US)

(72) Inventor: **Dennis J. Foley**, Holland, MI (US)

(73) Assignee: **DSA International Inc.**, Zeeland, MI (US)

(**) Term: **15 Years**

(21) Appl. No.: **29/543,179**

(22) Filed: **Oct. 21, 2015**

(51) **LOC (10) Cl.** **06-01**

(52) **U.S. Cl.**
USPC **D6/370; D6/360**

(58) **Field of Classification Search**
USPC D6/334-336, 360, 370, 371, 373, 375, D6/376, 716, 716.1, 716.4
CPC A47C 3/04; A47C 4/02; A47C 4/03; A47C 7/16; A47C 5/12; A47C 4/025; A47C 5/04; A47C 5/08; A47C 9/007
See application file for complete search history.

(56) **References Cited**

U.S. PATENT DOCUMENTS

D102,030 S * 11/1936 Hoffmann D6/370
2,936,024 A * 5/1960 Hendrickson A47C 3/04
297/239
3,141,699 A * 7/1964 Stafford A47C 3/04
297/239
D420,821 S * 2/2000 Barile D6/360
D454,260 S * 3/2002 Tseng D6/360

(Continued)

Primary Examiner — Mimosa De

(74) *Attorney, Agent, or Firm* — Niro McAndrews, LLC

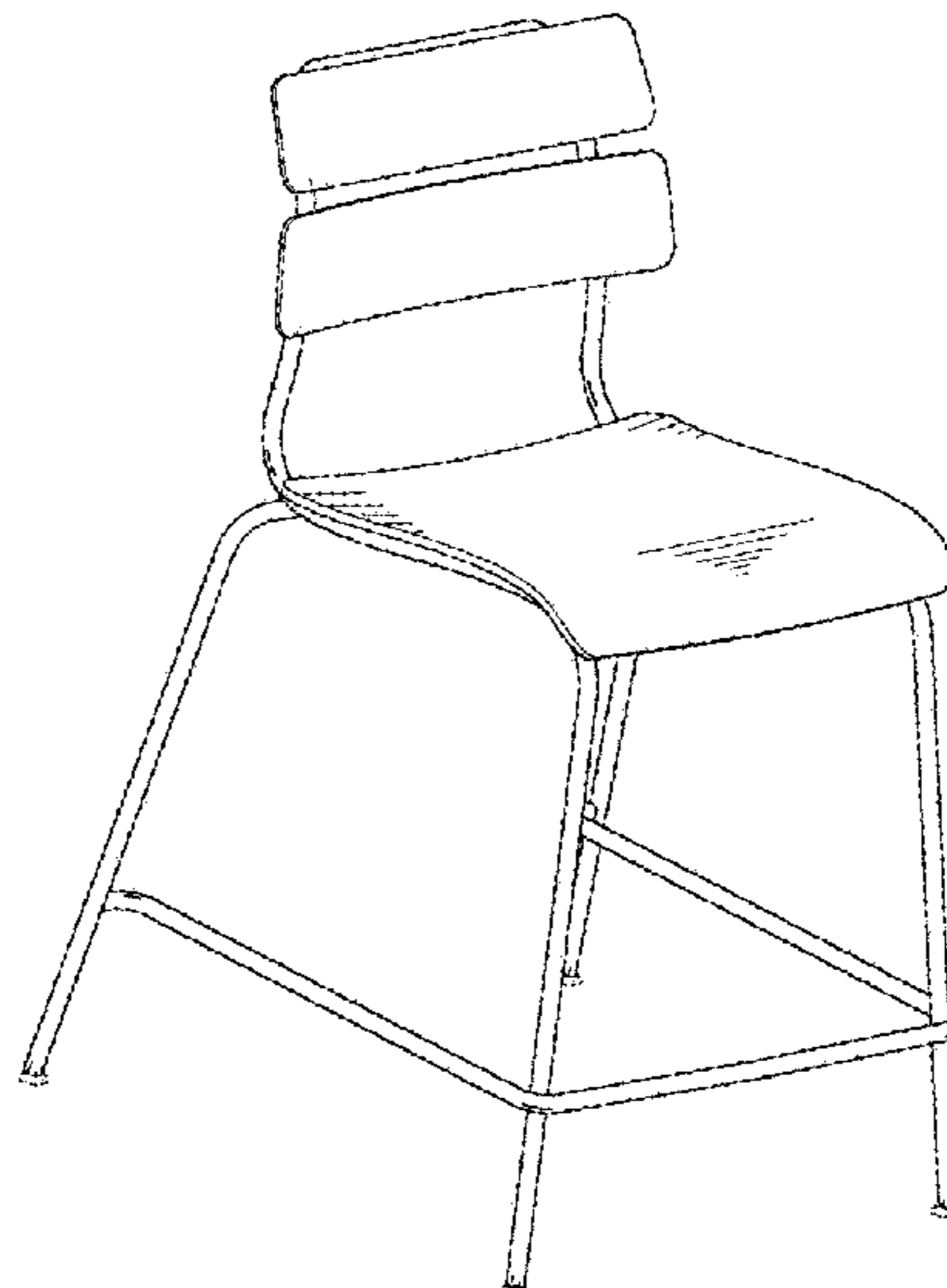
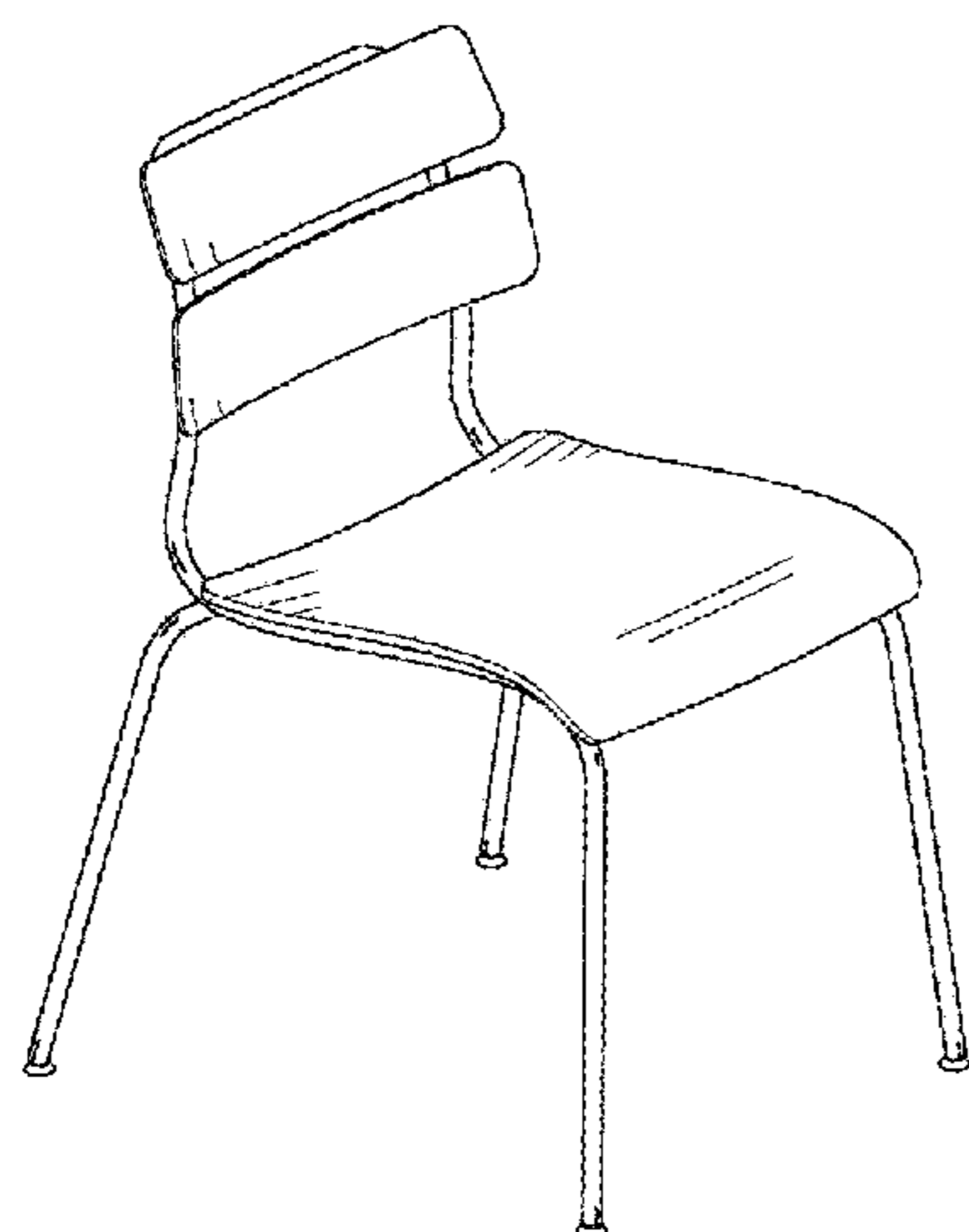
(57) **CLAIM**

The ornamental design for a chair, as shown and described.

DESCRIPTION

FIG. 1 is a first perspective view of a chair, showing my new design;
FIG. 2 is a second perspective view thereof;
FIG. 3 is a third perspective view thereof;
FIG. 4 is a front elevational view thereof;
FIG. 5 is a front elevational view thereof with unclaimed chair arms;
FIG. 6 is a rear elevational view thereof;
FIG. 7 is a side elevational view thereof;
FIG. 8 is a top plan view thereof;
FIG. 9 is a bottom plan view thereof;
FIG. 10 is a first perspective view of a chair, showing a second embodiment of my new design;
FIG. 11 is a second perspective view thereof;
FIG. 12 is a third perspective view thereof;
FIG. 13 is a front elevational view thereof;
FIG. 14 is a rear elevational view thereof;
FIG. 15 is a side elevational view thereof;
FIG. 16 is a top plan view thereof;
FIG. 17 is a bottom plan view thereof;
FIG. 18 is a first perspective view of a chair, showing a third embodiment of my new design;
FIG. 19 is a second perspective view thereof;
FIG. 20 is a third perspective view thereof;
FIG. 21 is a front elevational view thereof;
FIG. 22 is a rear elevational view thereof;
FIG. 23 is a side elevational view thereof;
FIG. 24 is a top plan view thereof;
FIG. 25 is a bottom plan view thereof;
FIG. 26 is a first perspective view of a chair, showing a fourth embodiment of my new design;
FIG. 27 is a second perspective view thereof;
FIG. 28 is a third perspective view thereof;
FIG. 29 is a front elevational view thereof;
FIG. 30 is a rear elevational view thereof;
FIG. 31 is a side elevational view thereof; and,
FIG. 32 is a top plan view thereof.

1 Claim, 32 Drawing Sheets



(56)

References Cited

U.S. PATENT DOCUMENTS

D468,926 S * 1/2003 Bongaerts D6/360
7,118,175 B2 * 10/2006 Crue A47C 9/007
297/239
D666,015 S * 8/2012 Morrison D6/360
D673,395 S * 1/2013 Piretti D6/376
D708,449 S * 7/2014 Ritterband D6/360

* cited by examiner

FIG. 1



FIG. 2

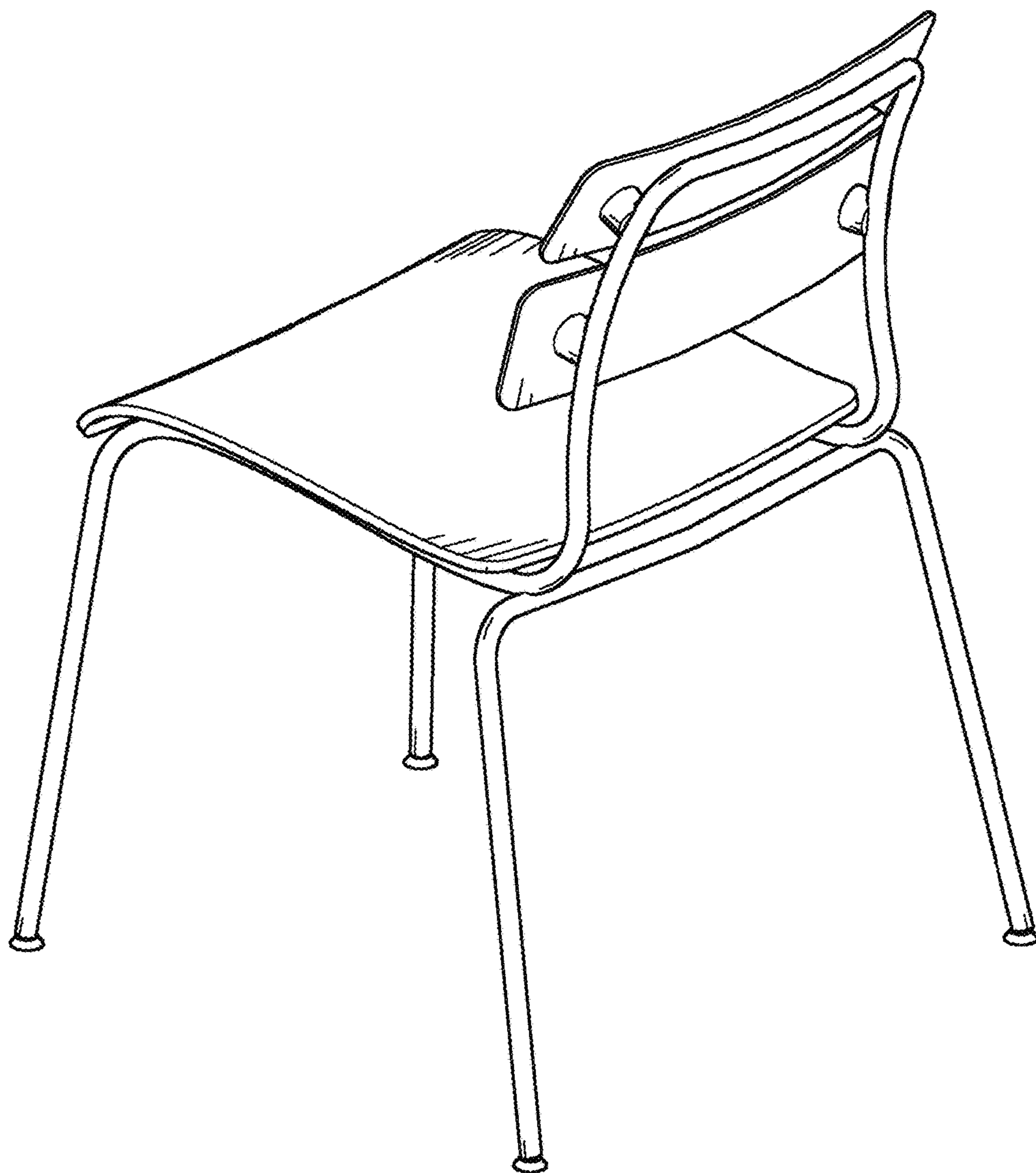


FIG. 3

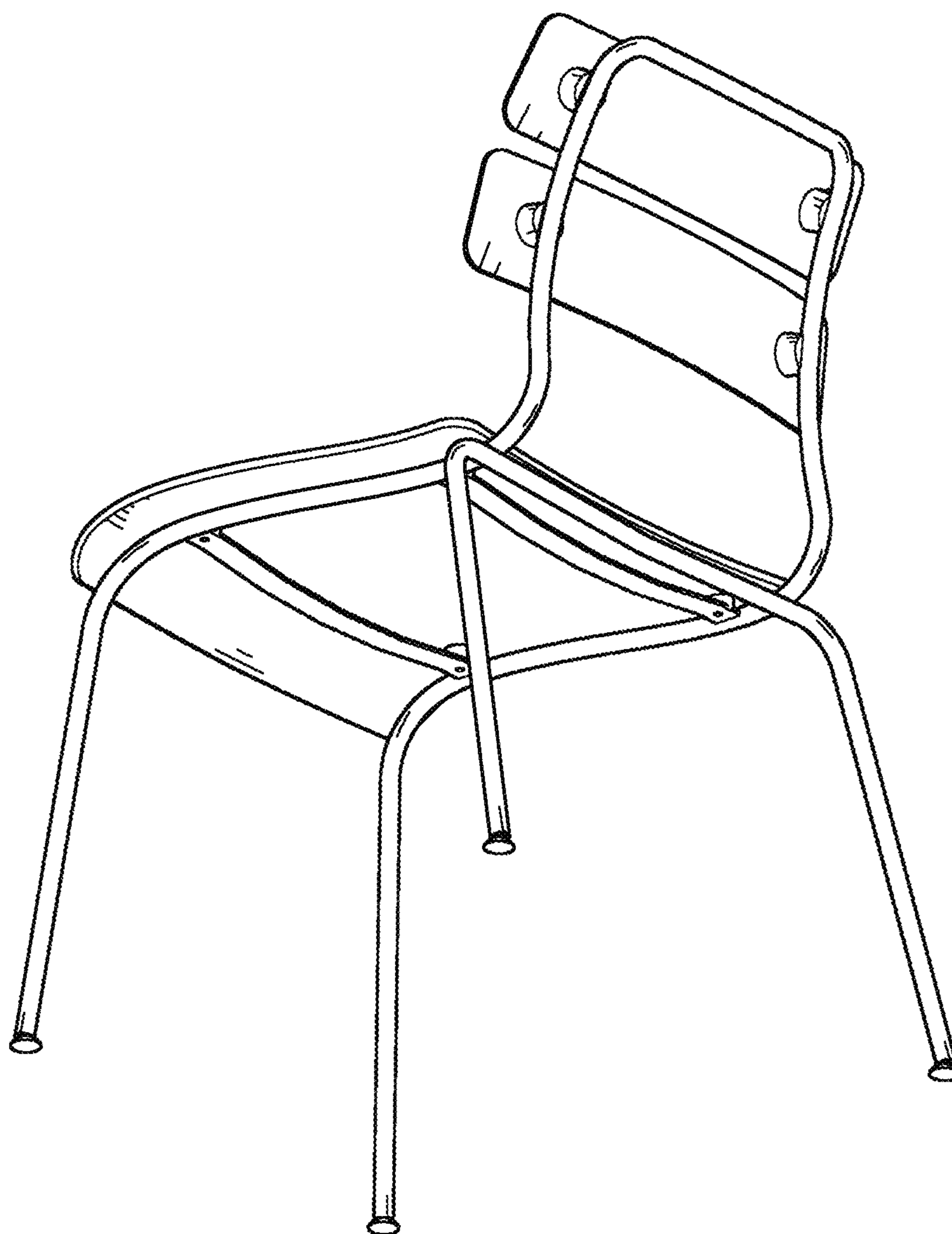


FIG. 4

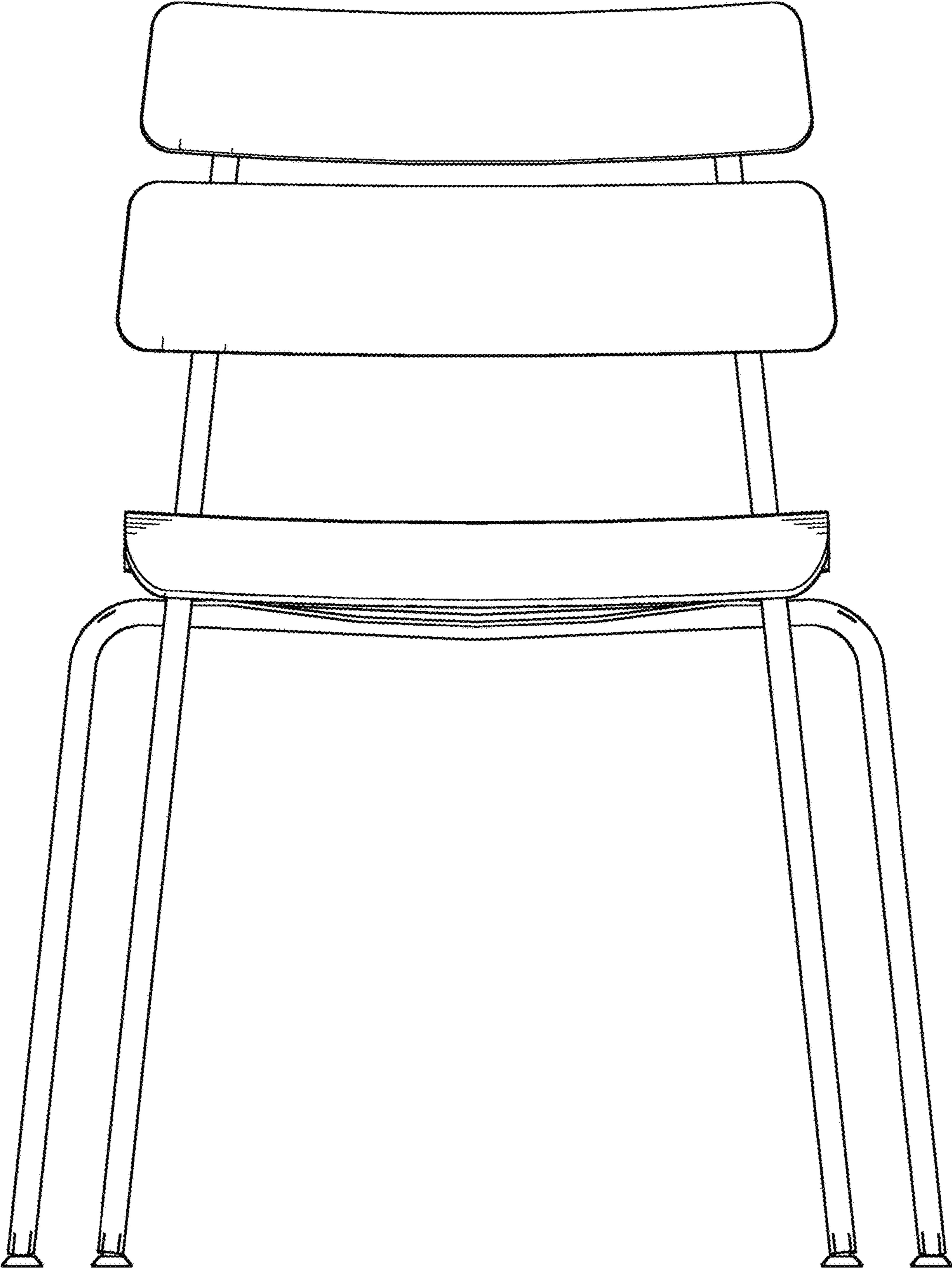
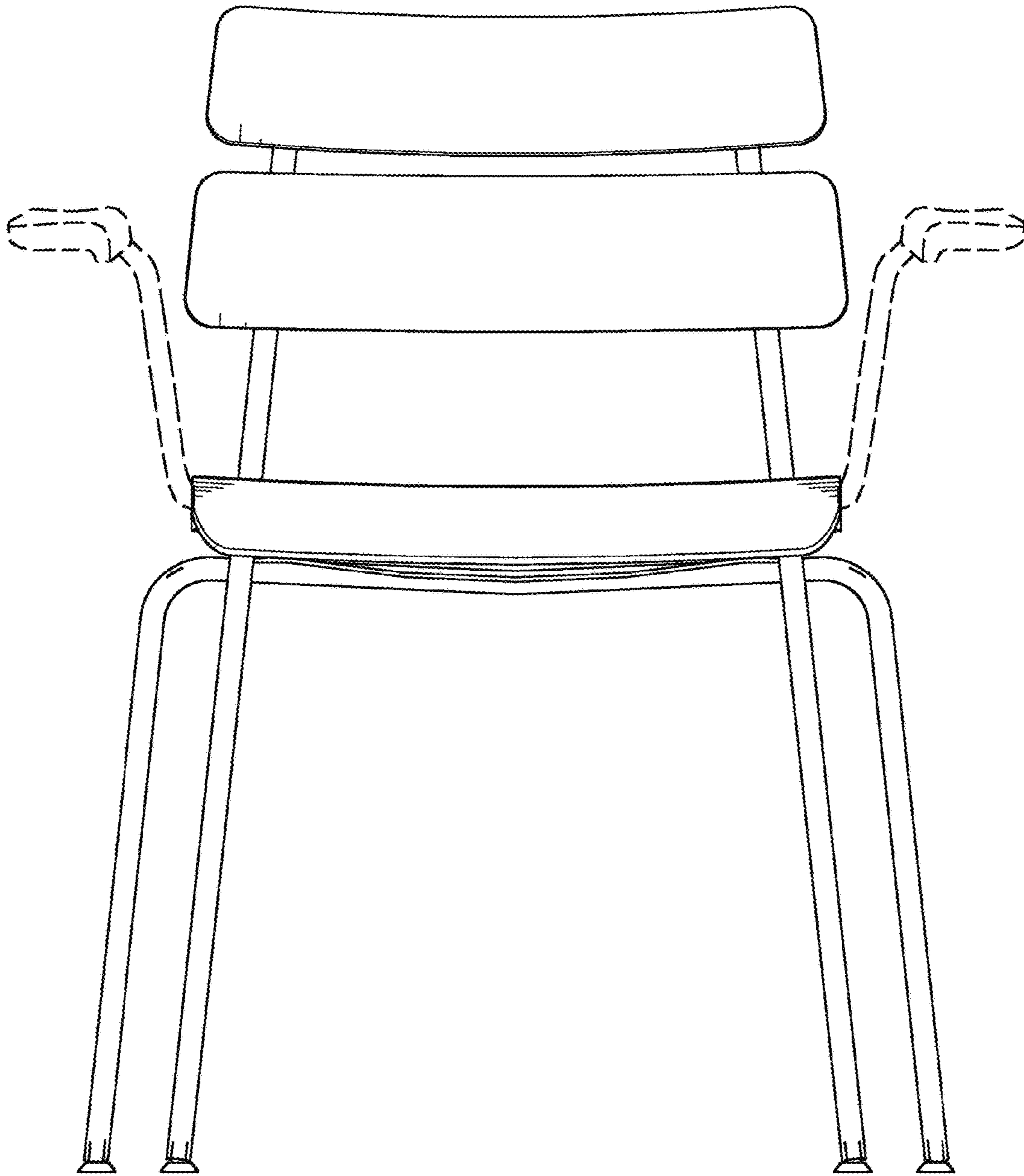


FIG. 5



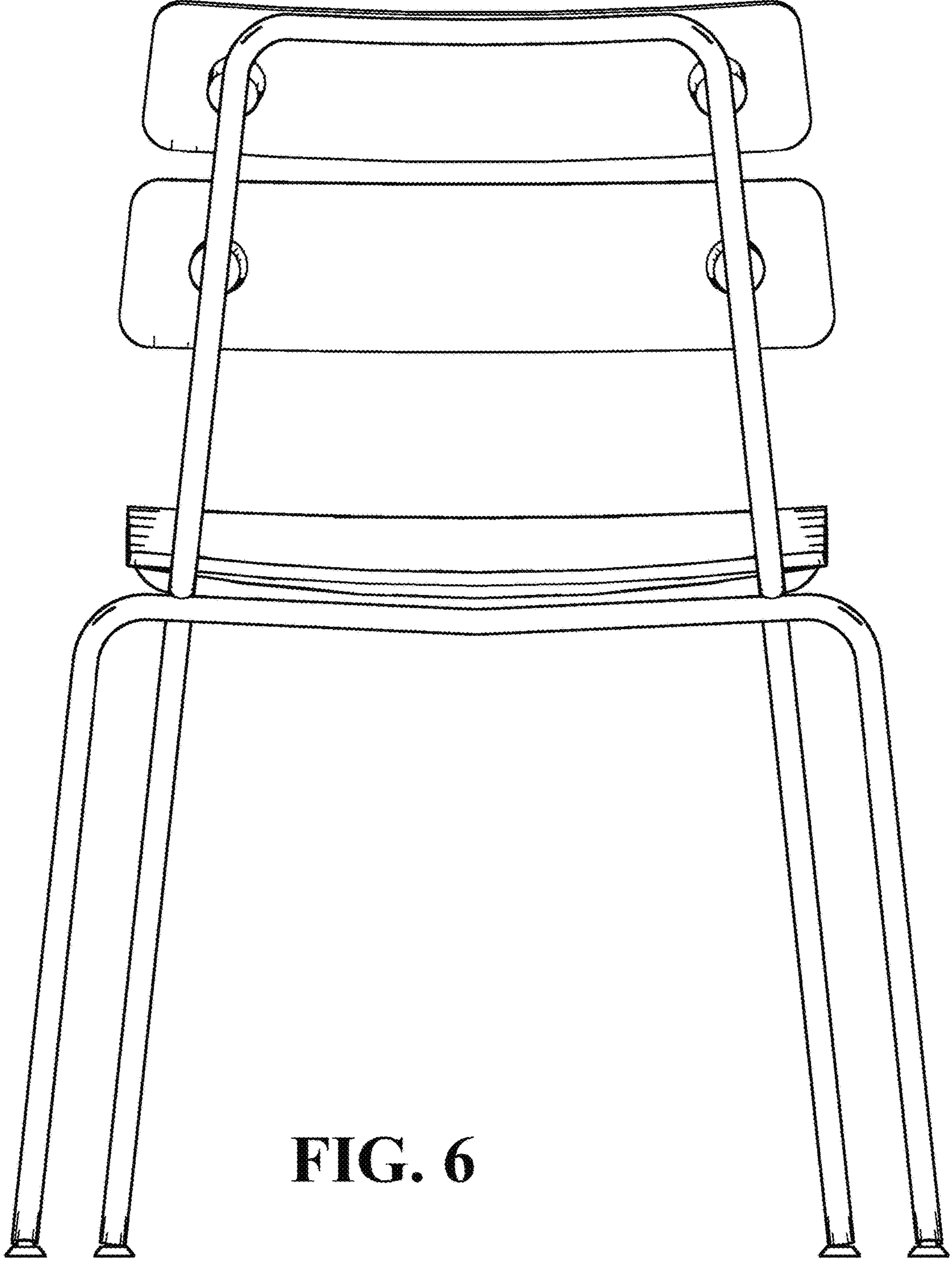


FIG. 6

FIG. 7

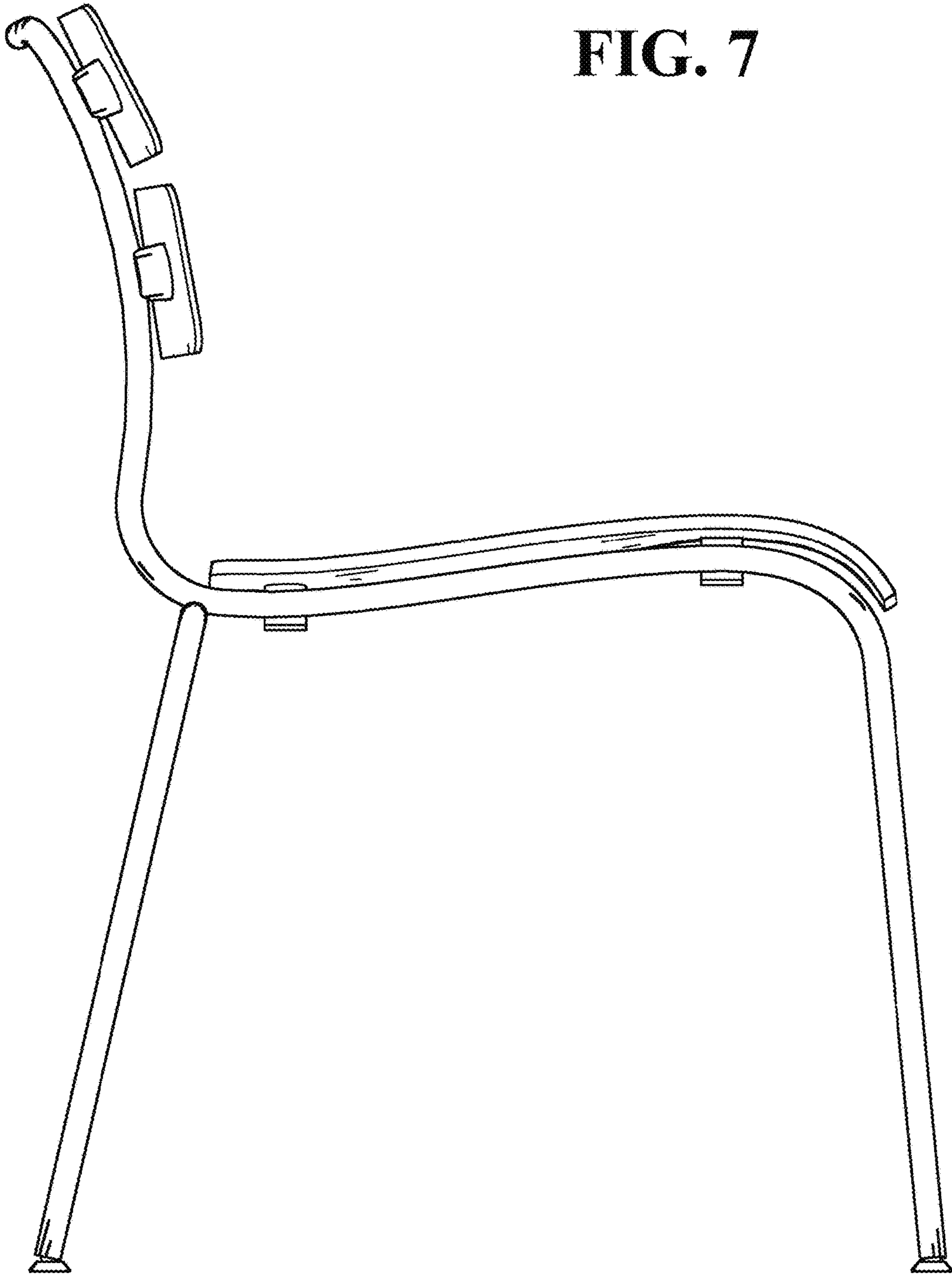


FIG. 8

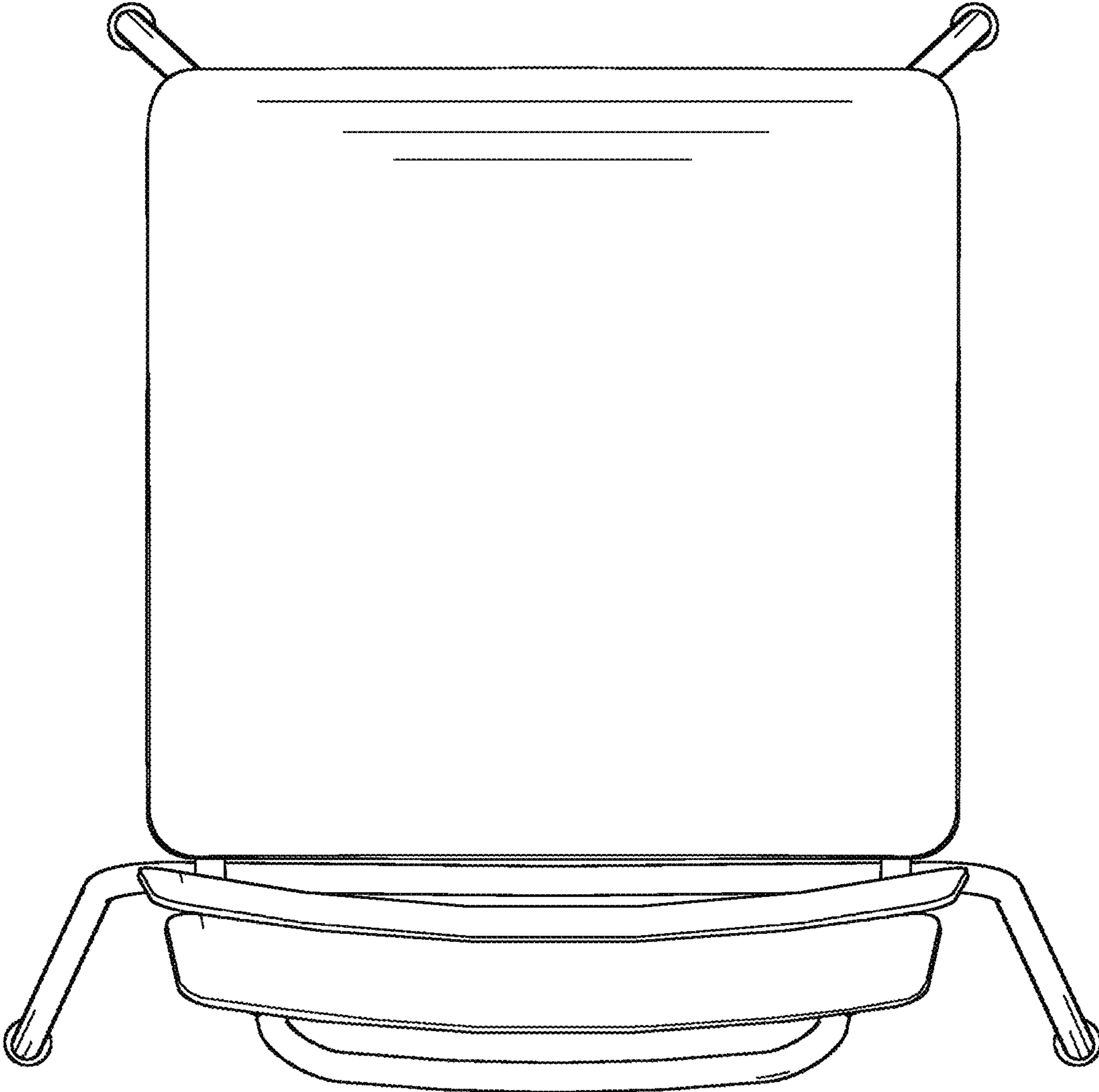


FIG. 9

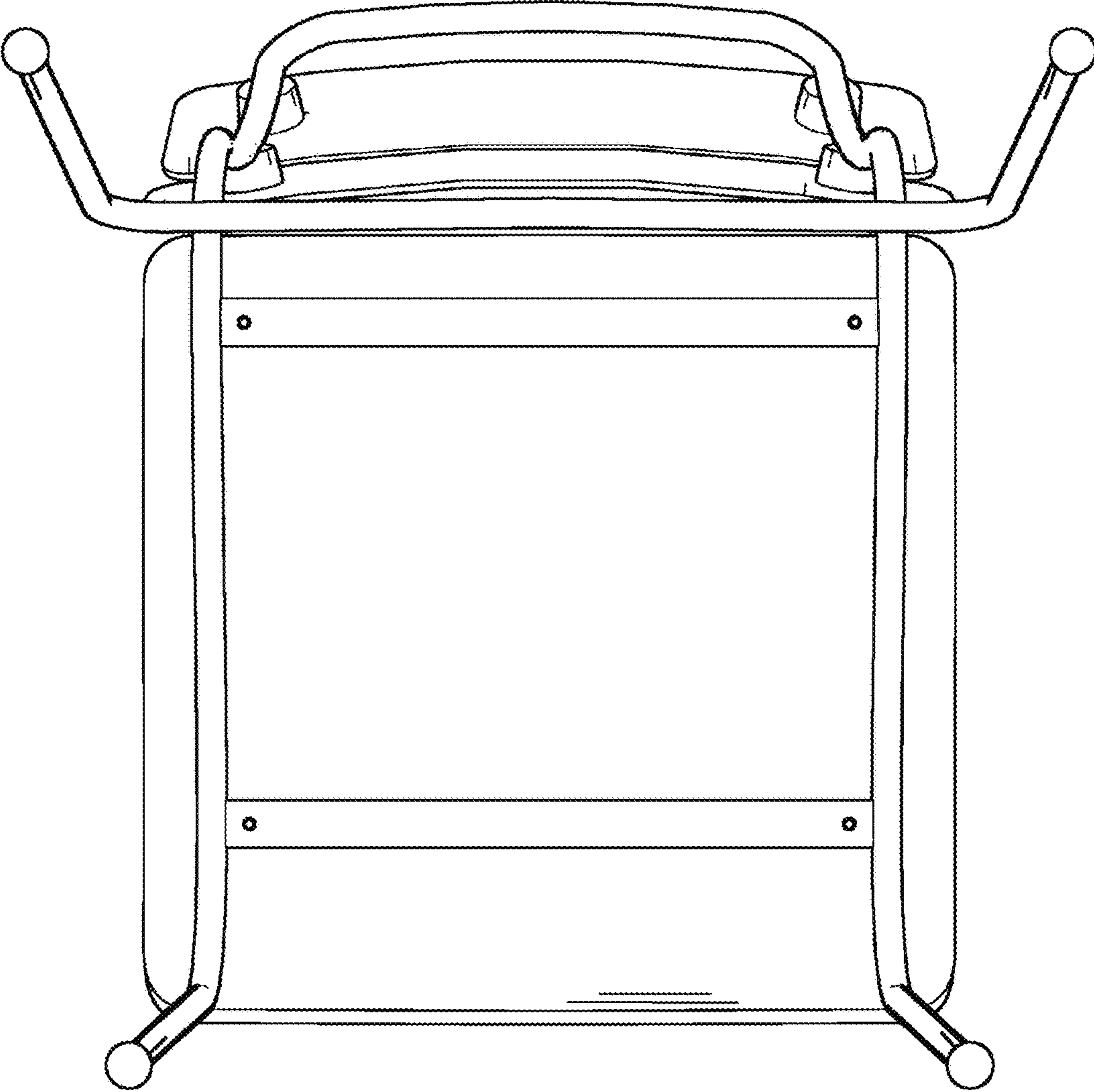


FIG. 10



FIG. 11

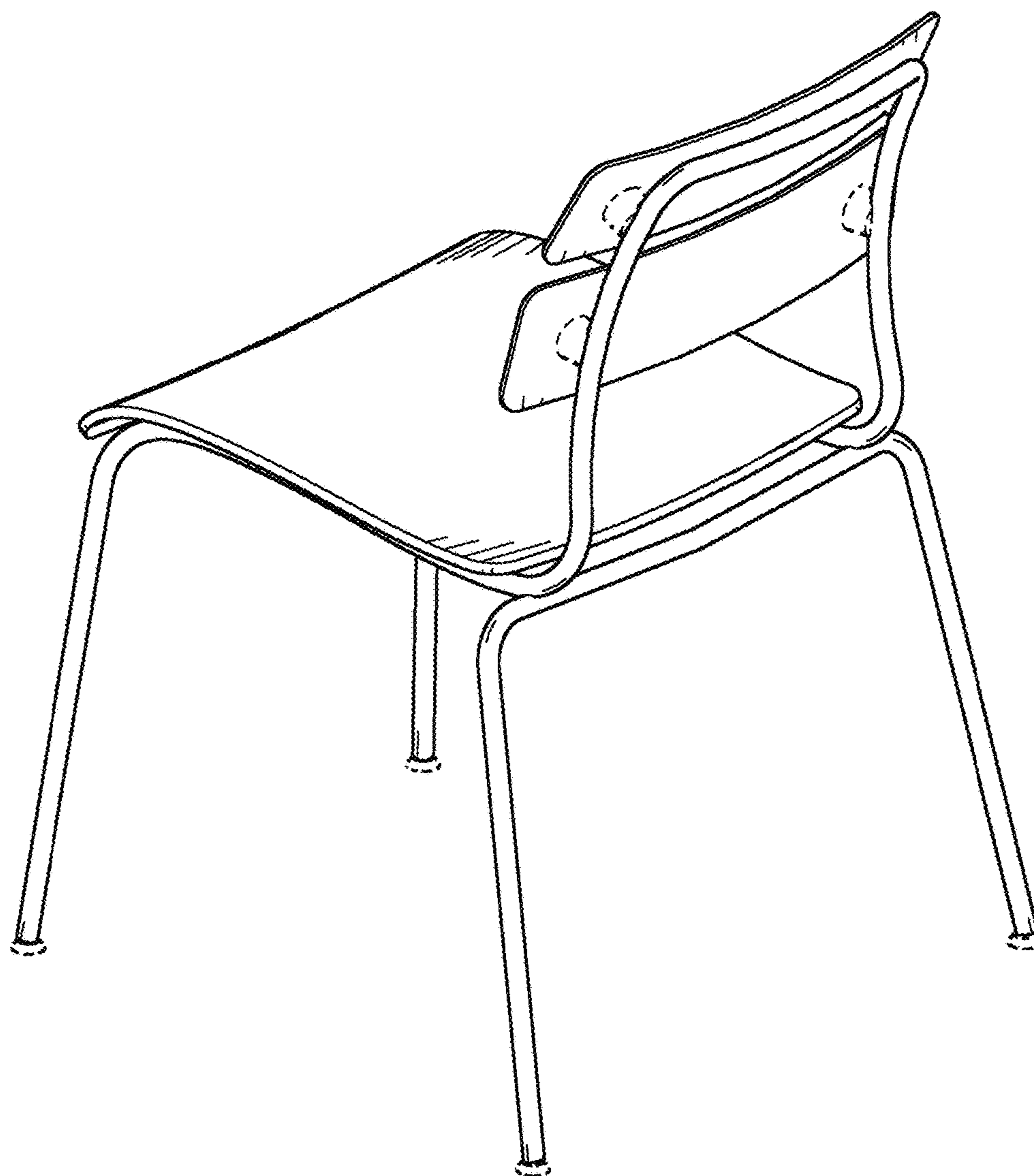


FIG. 12

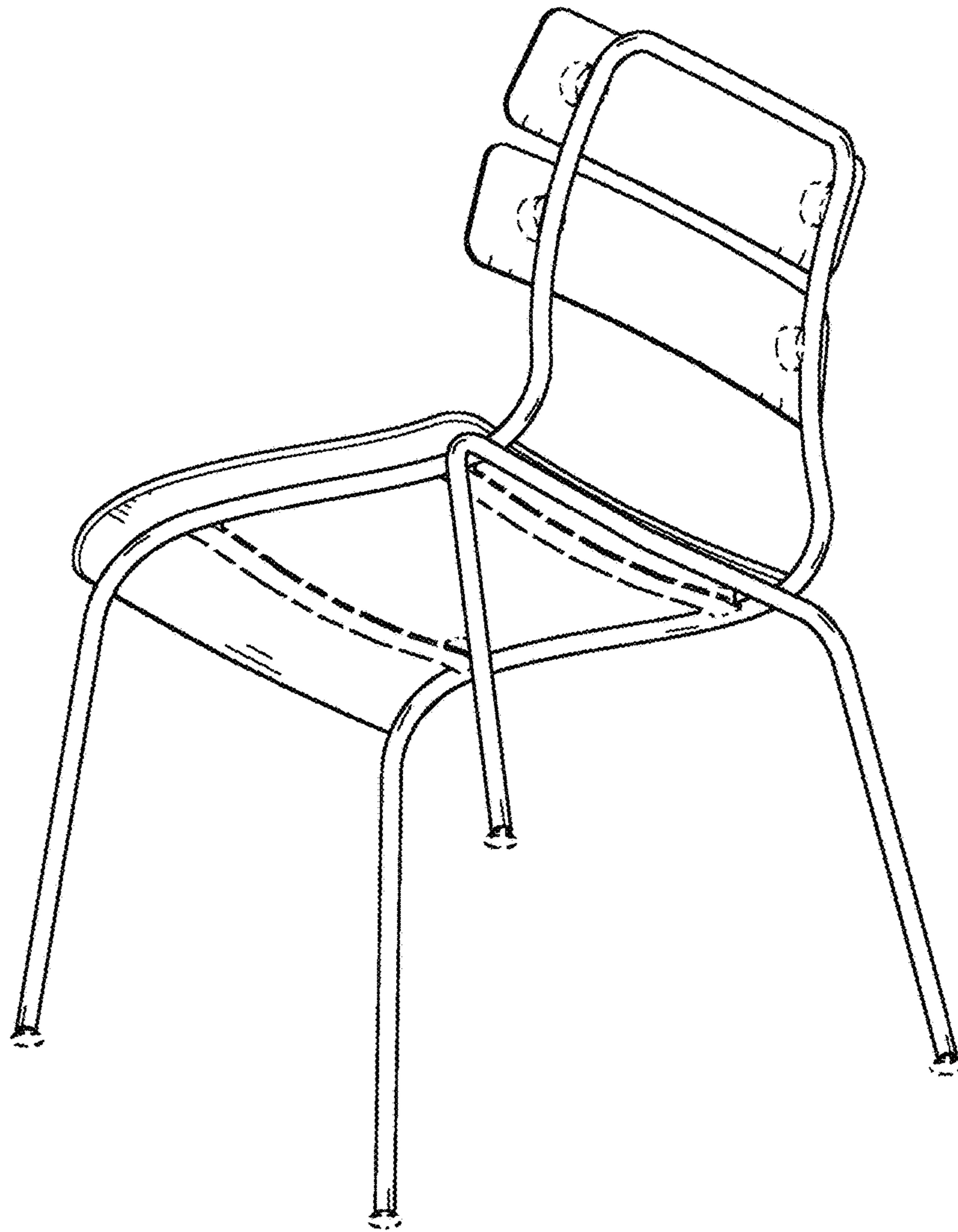


FIG. 13

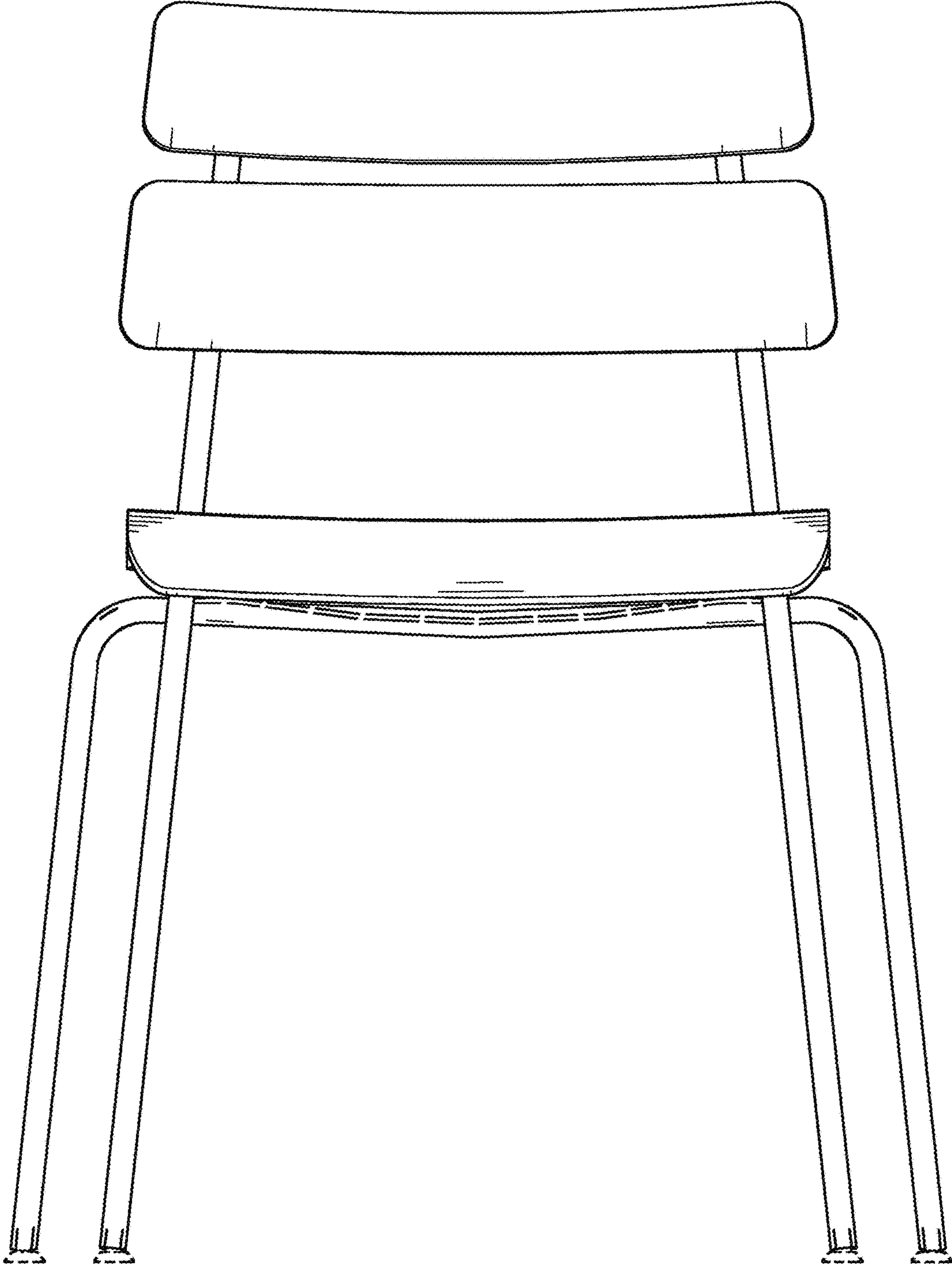


FIG. 14

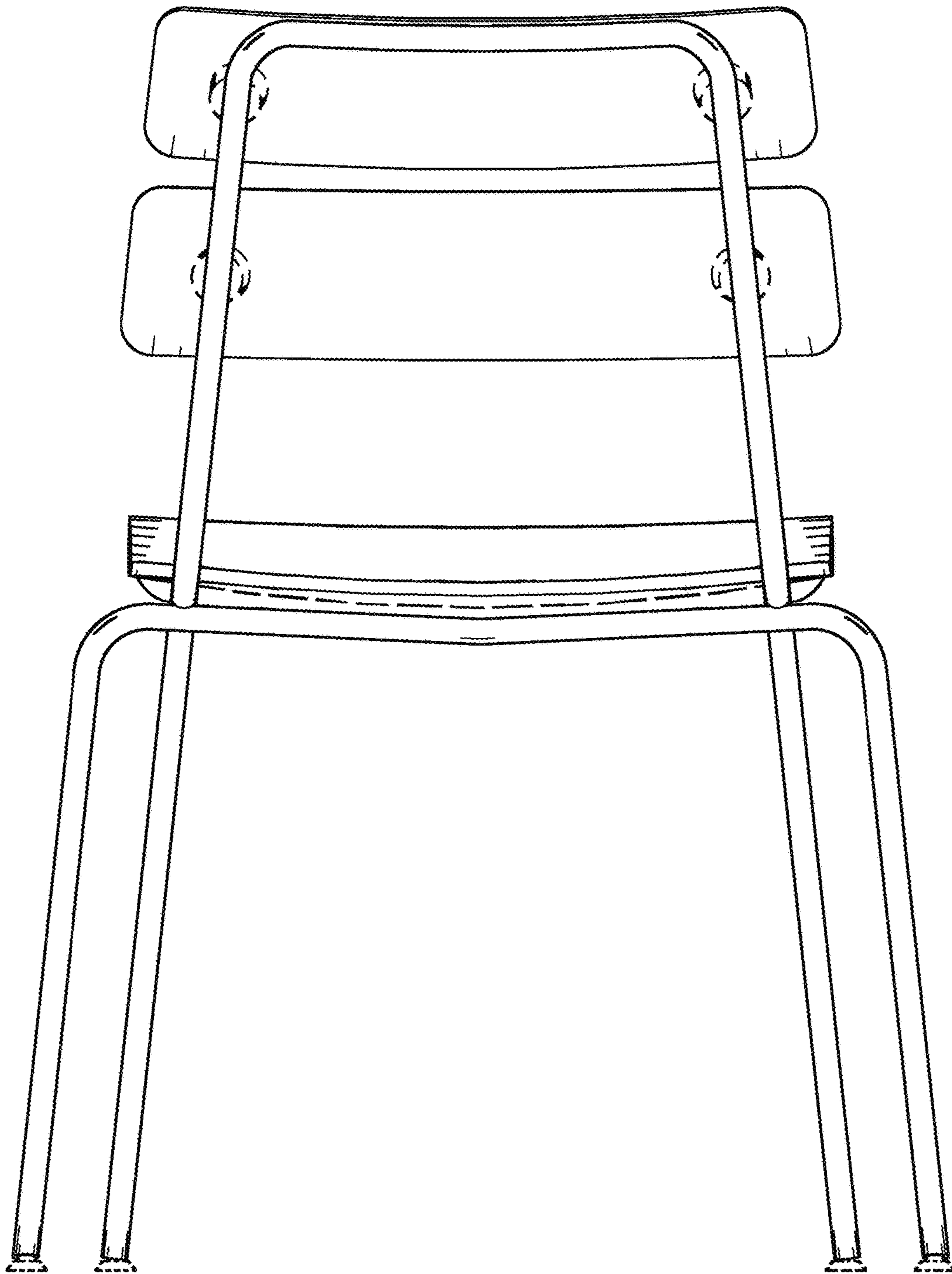


FIG. 15

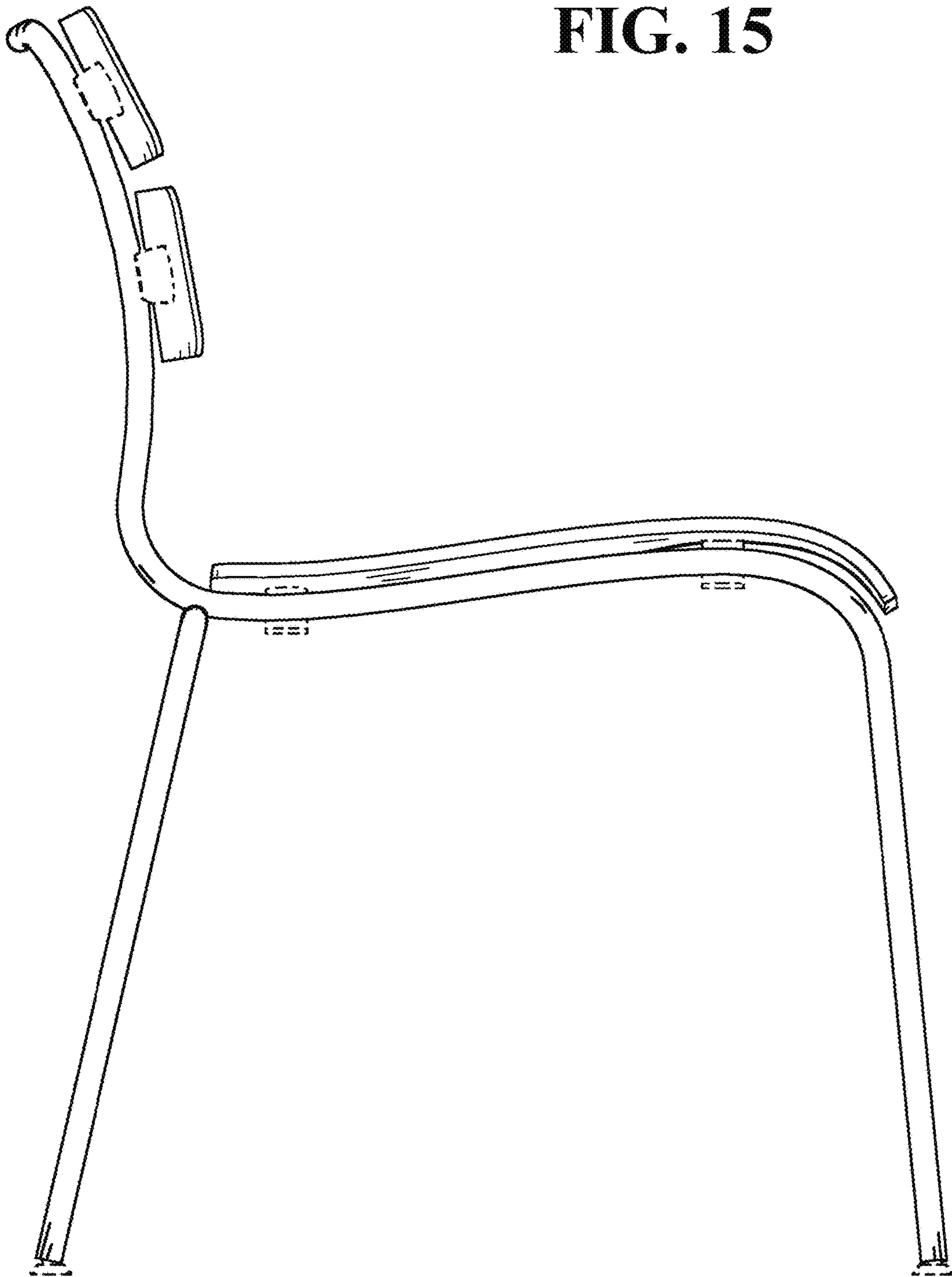


FIG. 16

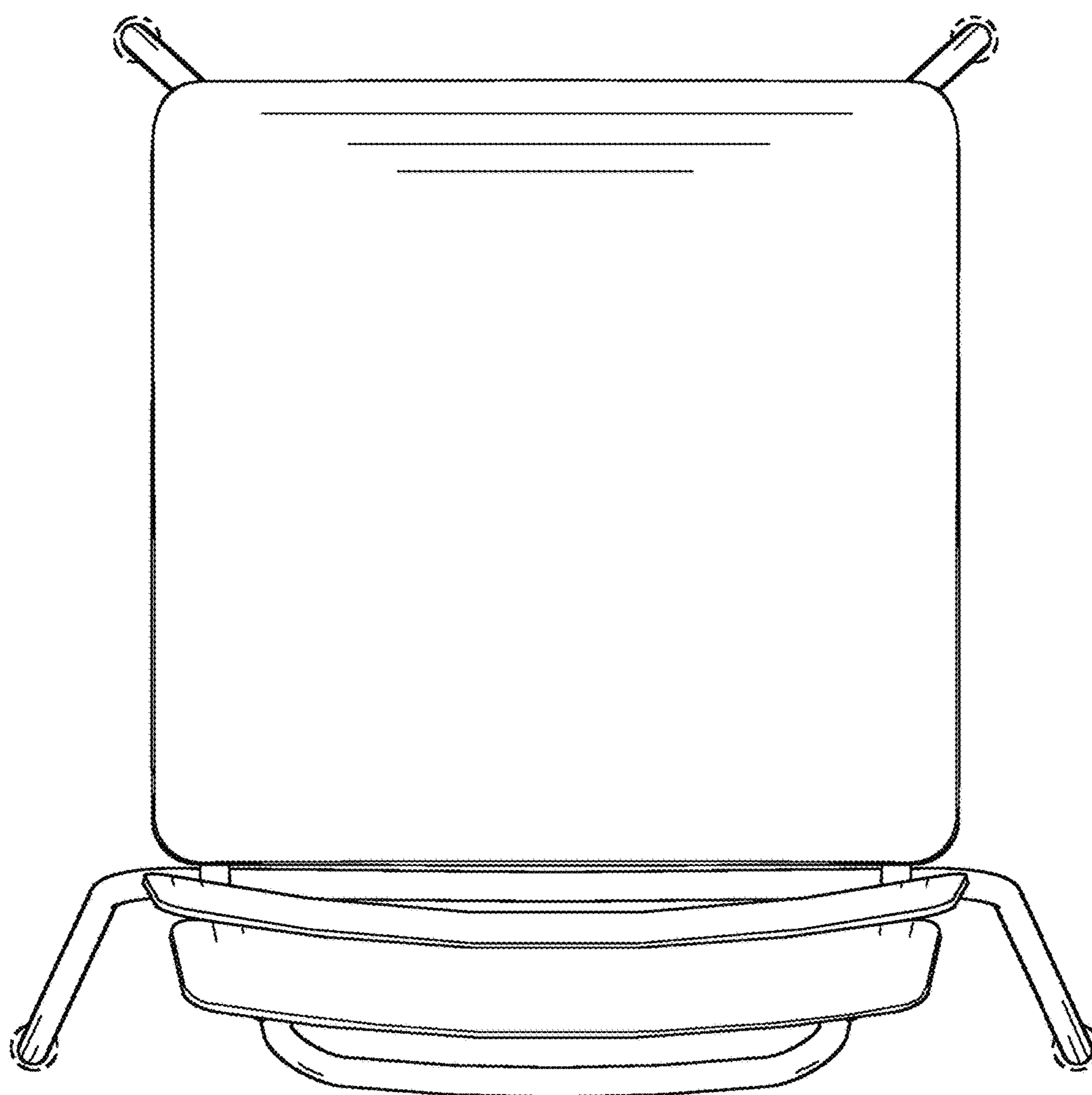


FIG. 17

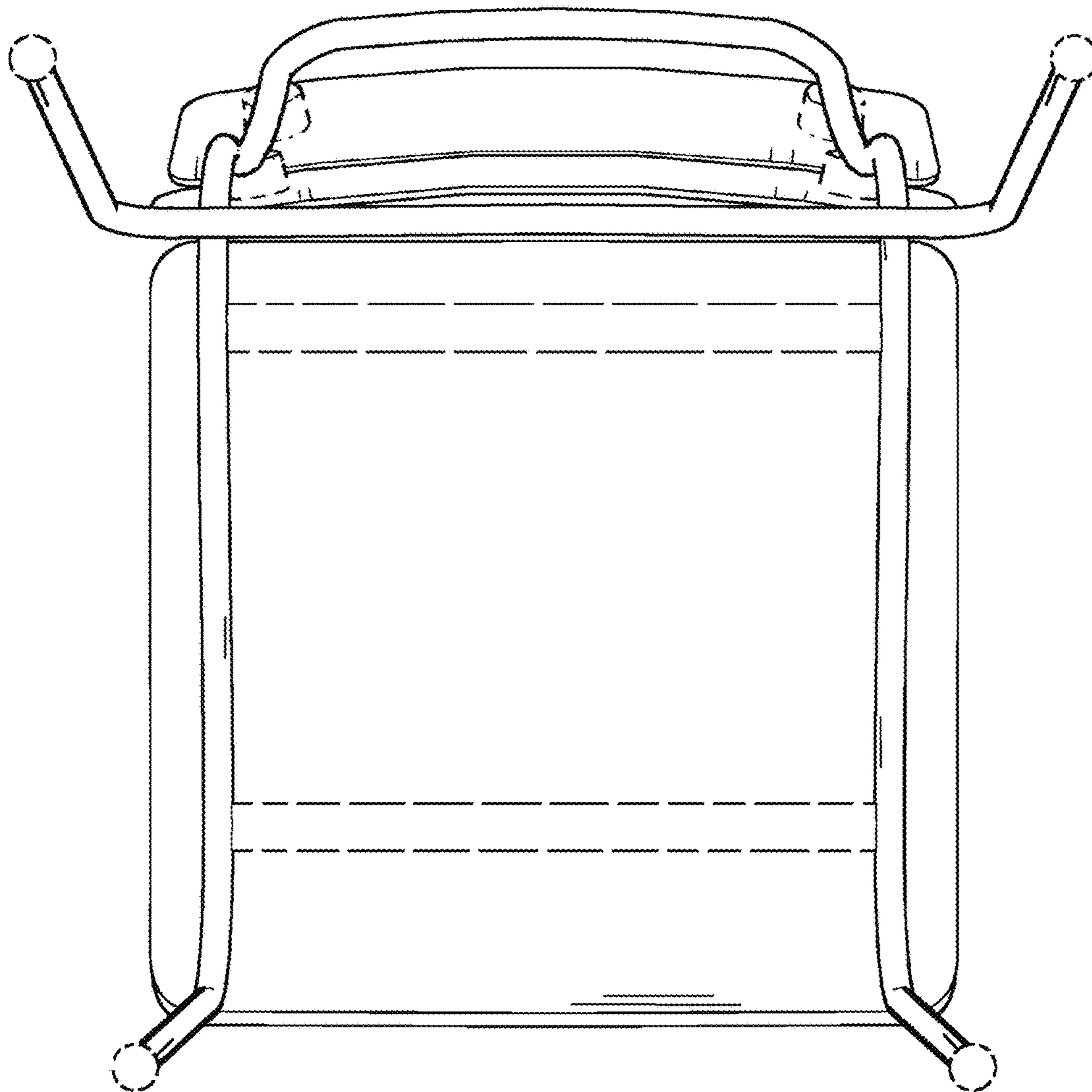


FIG. 18



FIG. 19

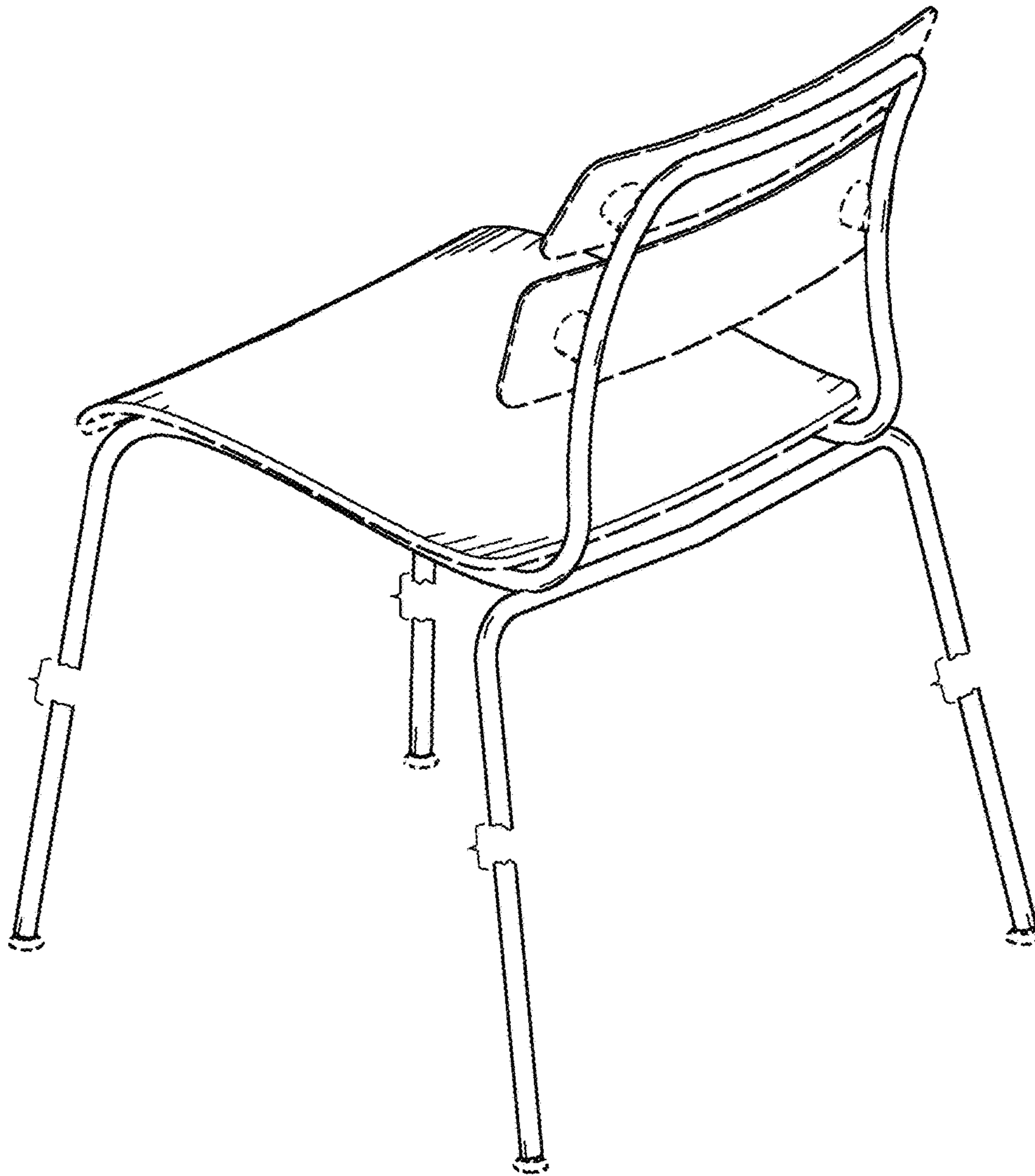
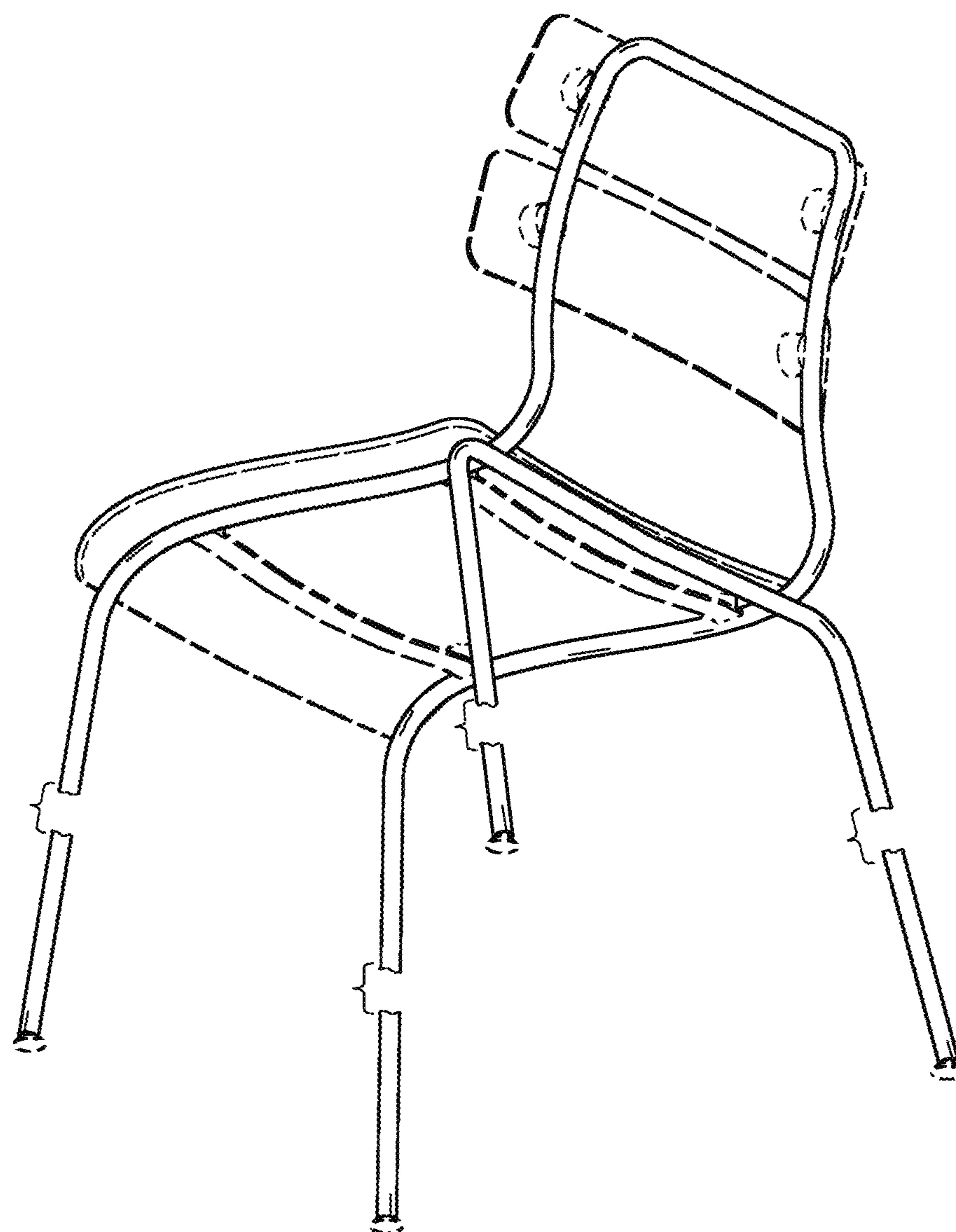


FIG. 20



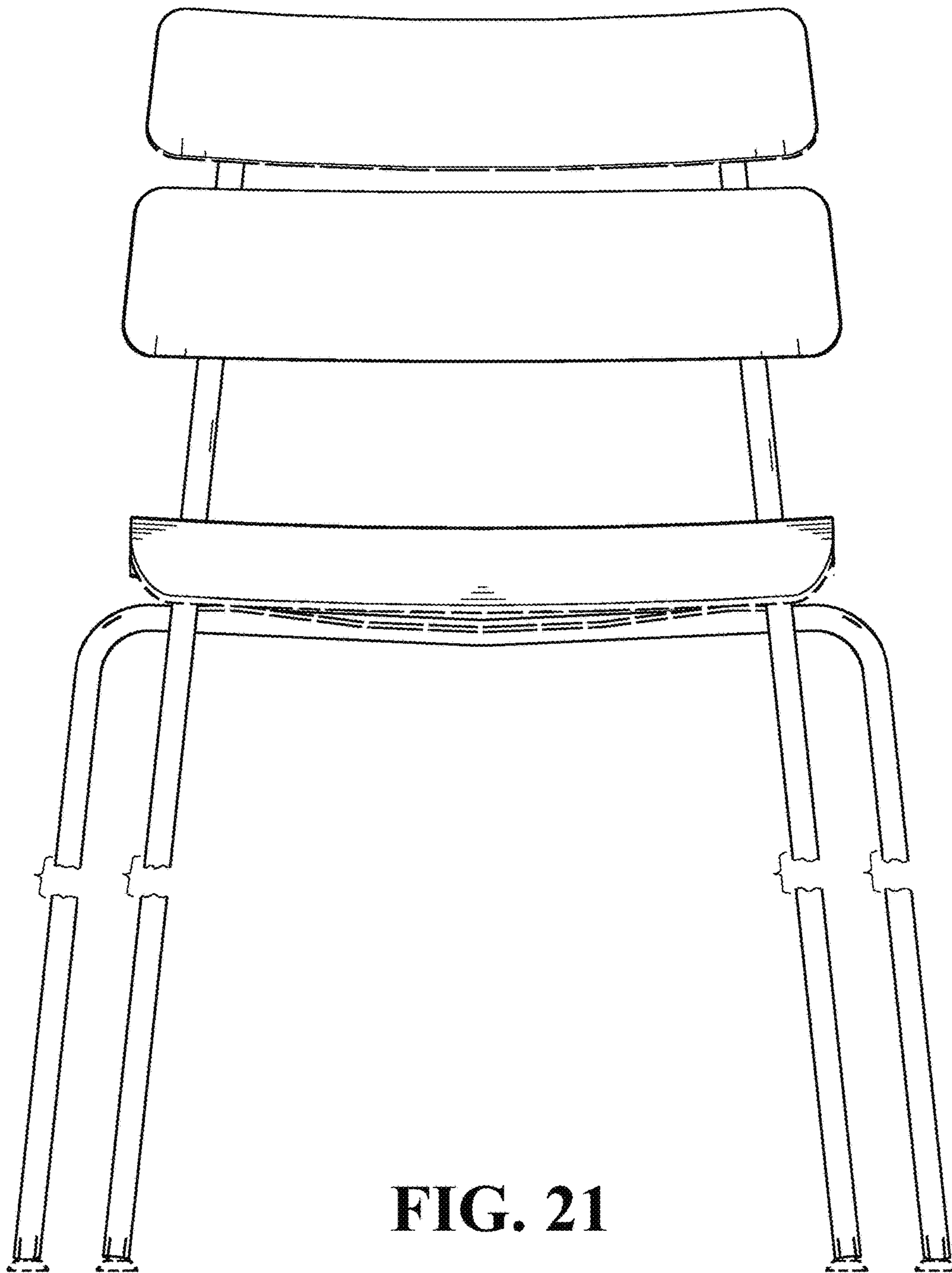


FIG. 21

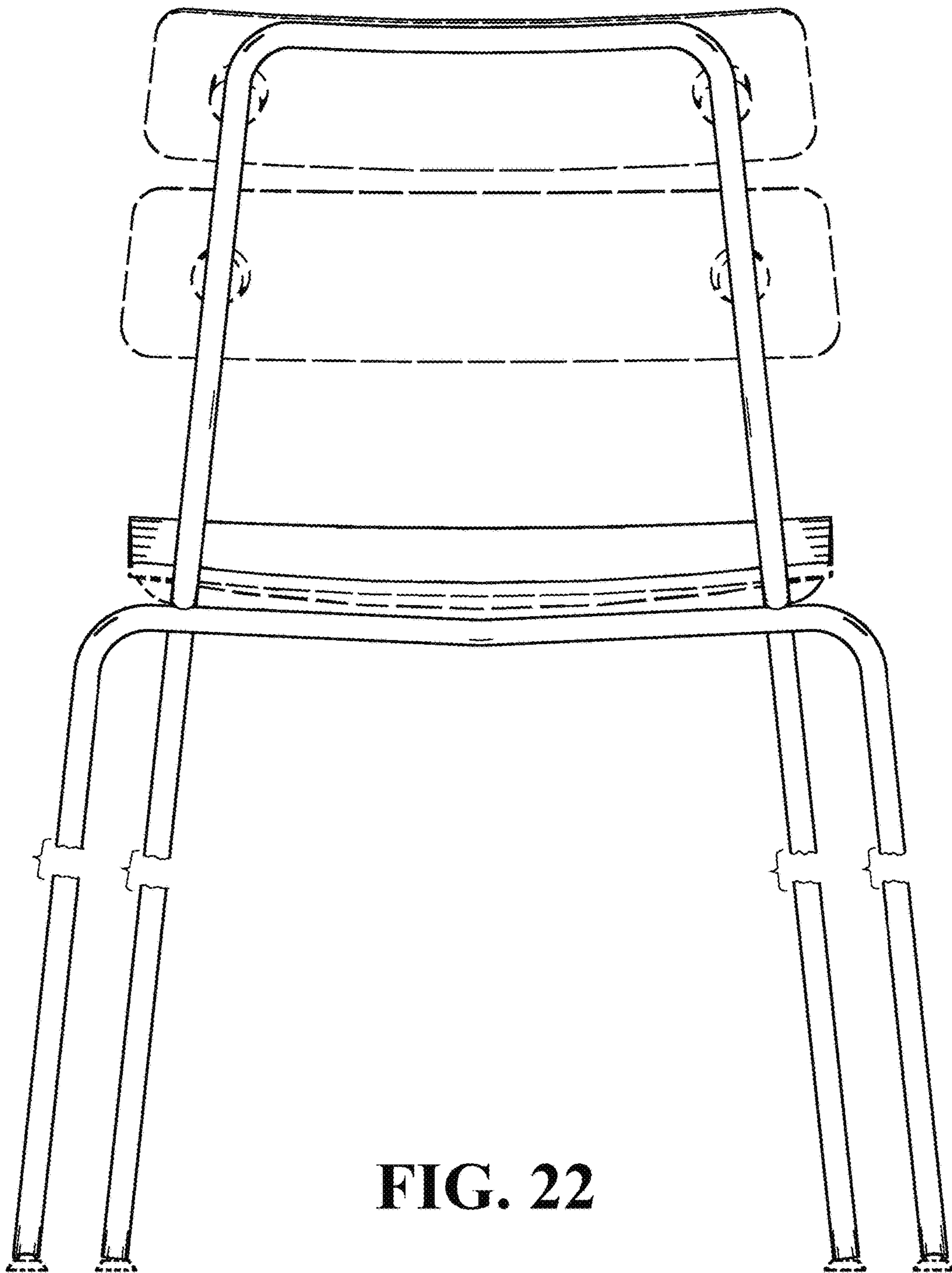


FIG. 22

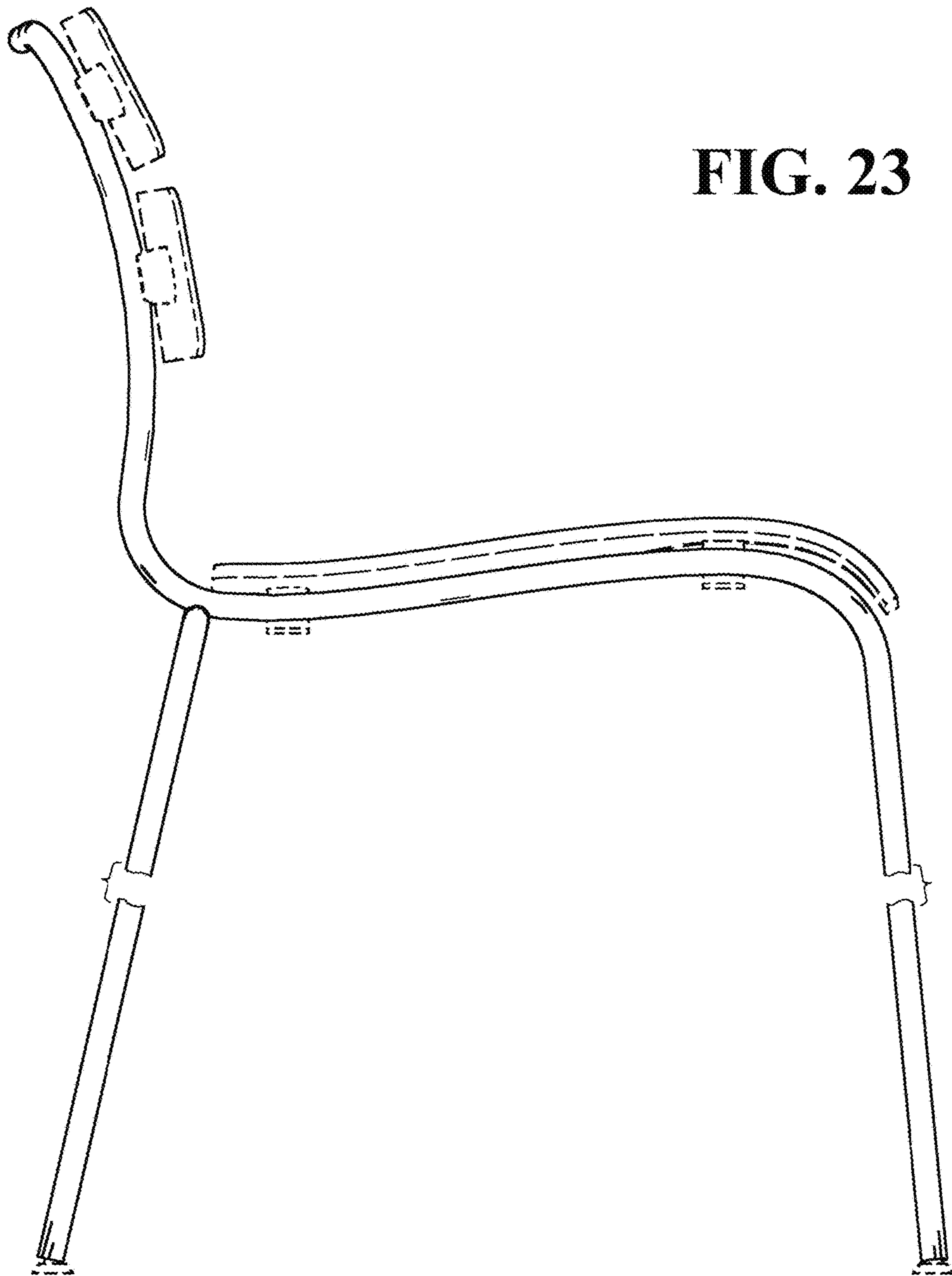


FIG. 23

FIG. 24

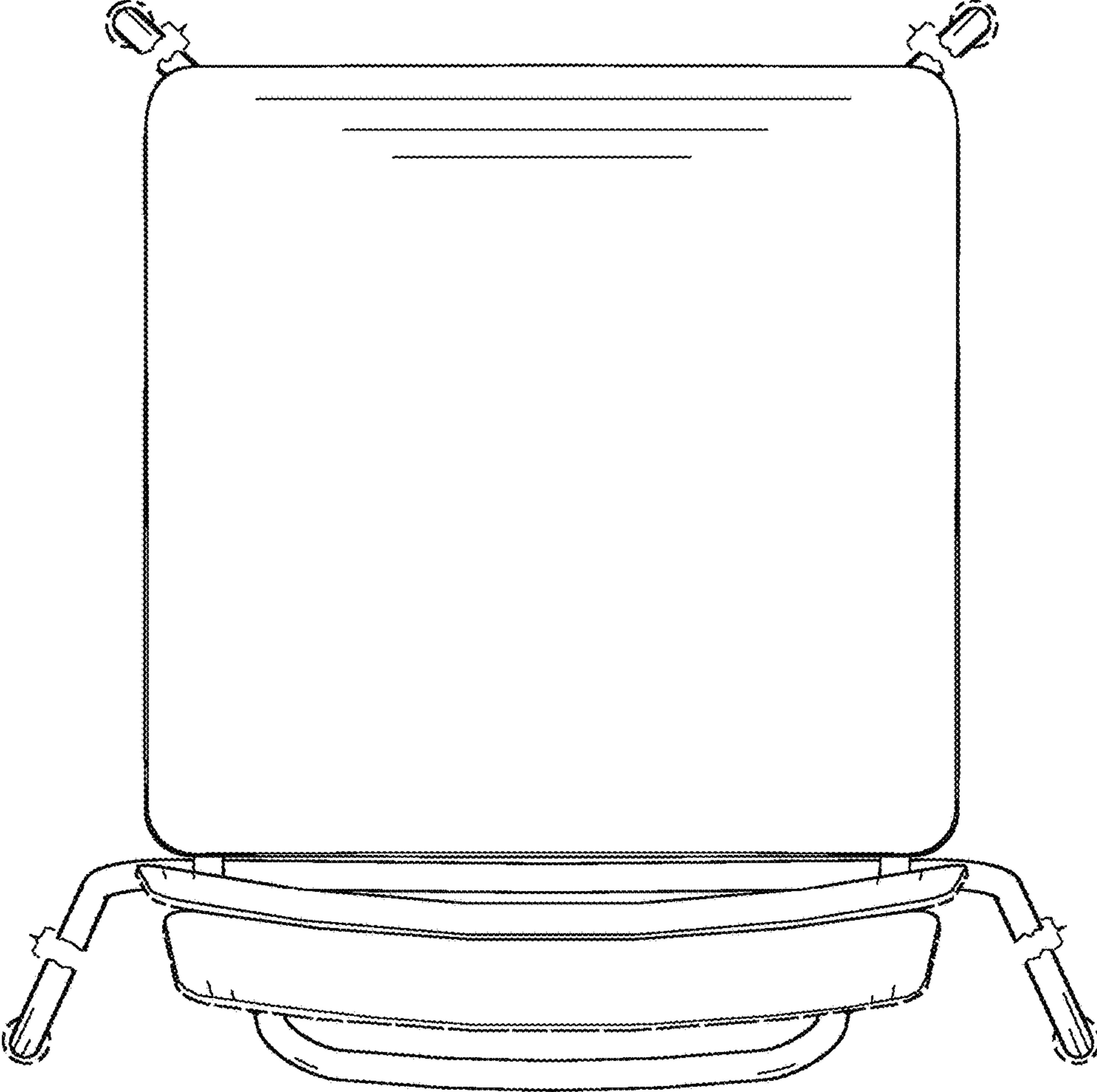


FIG. 25

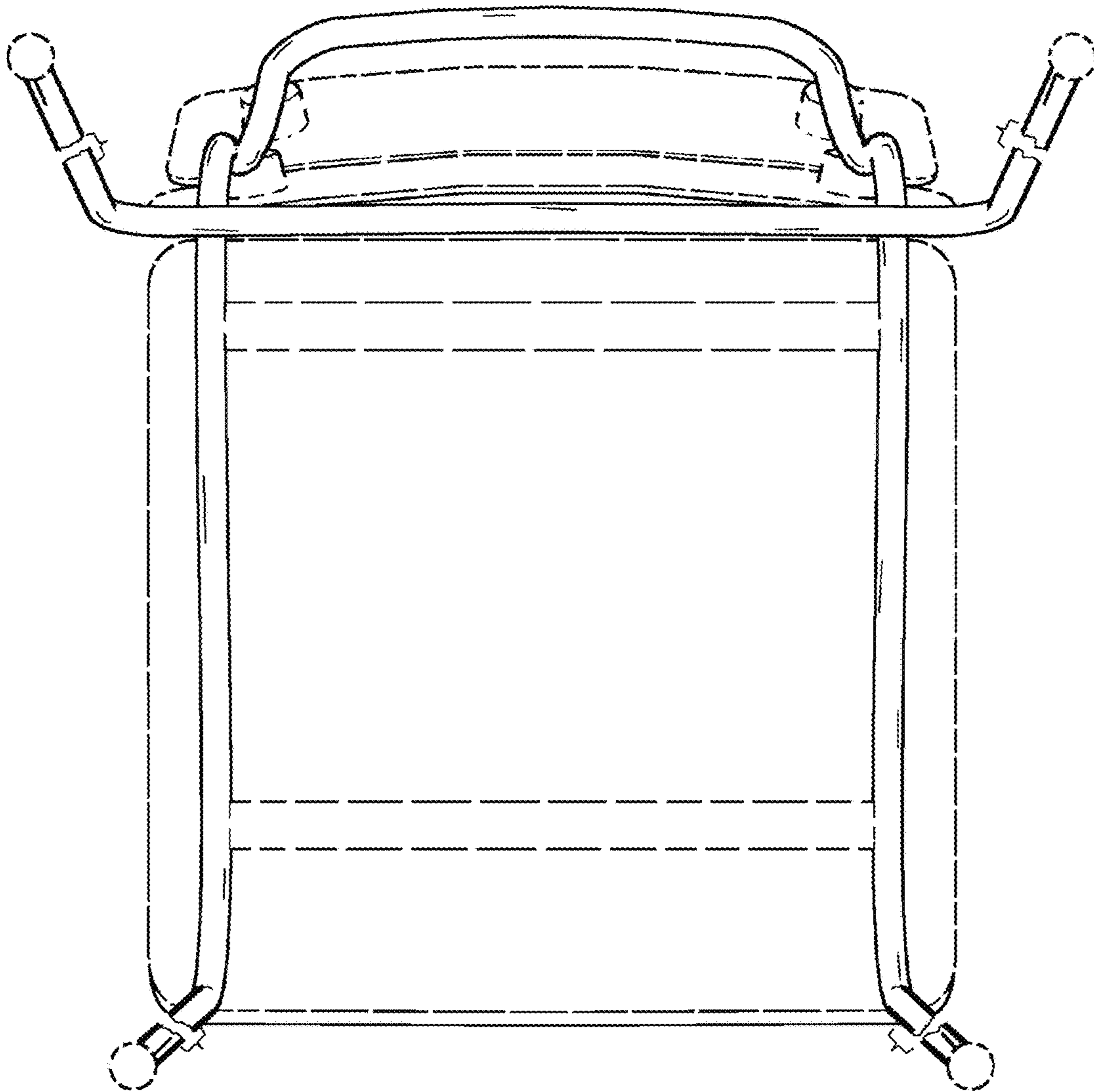


FIG. 26

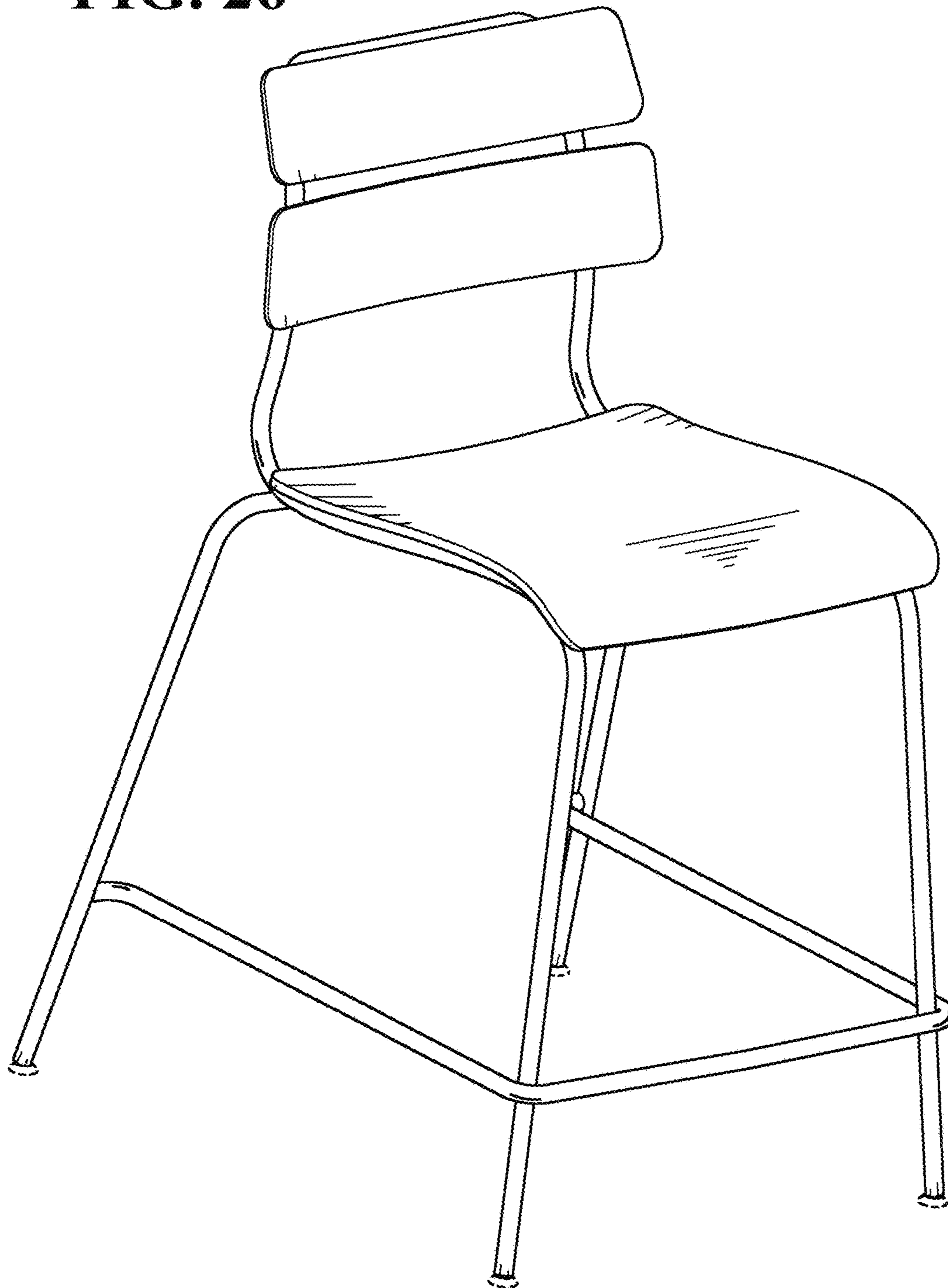


FIG. 27

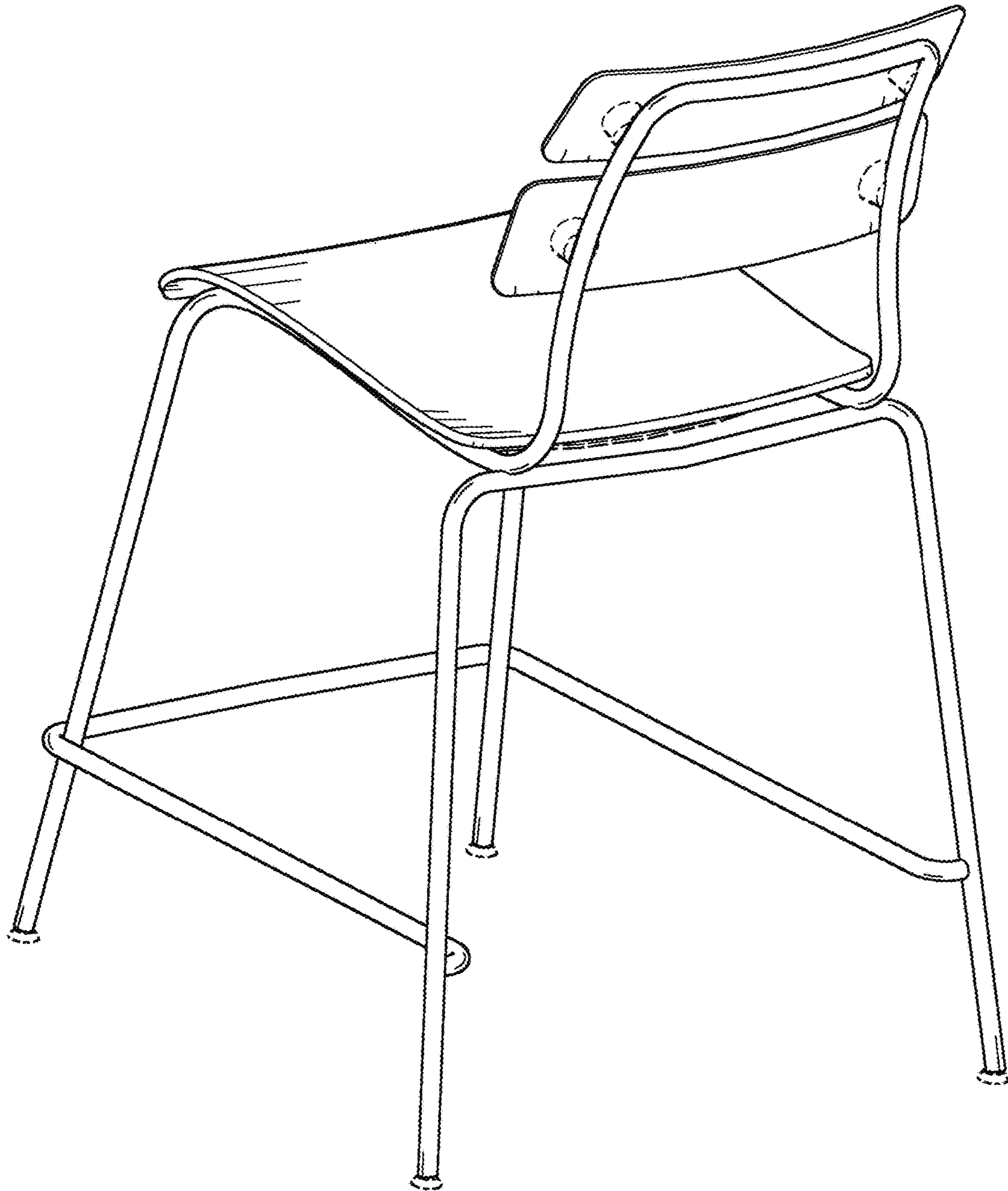
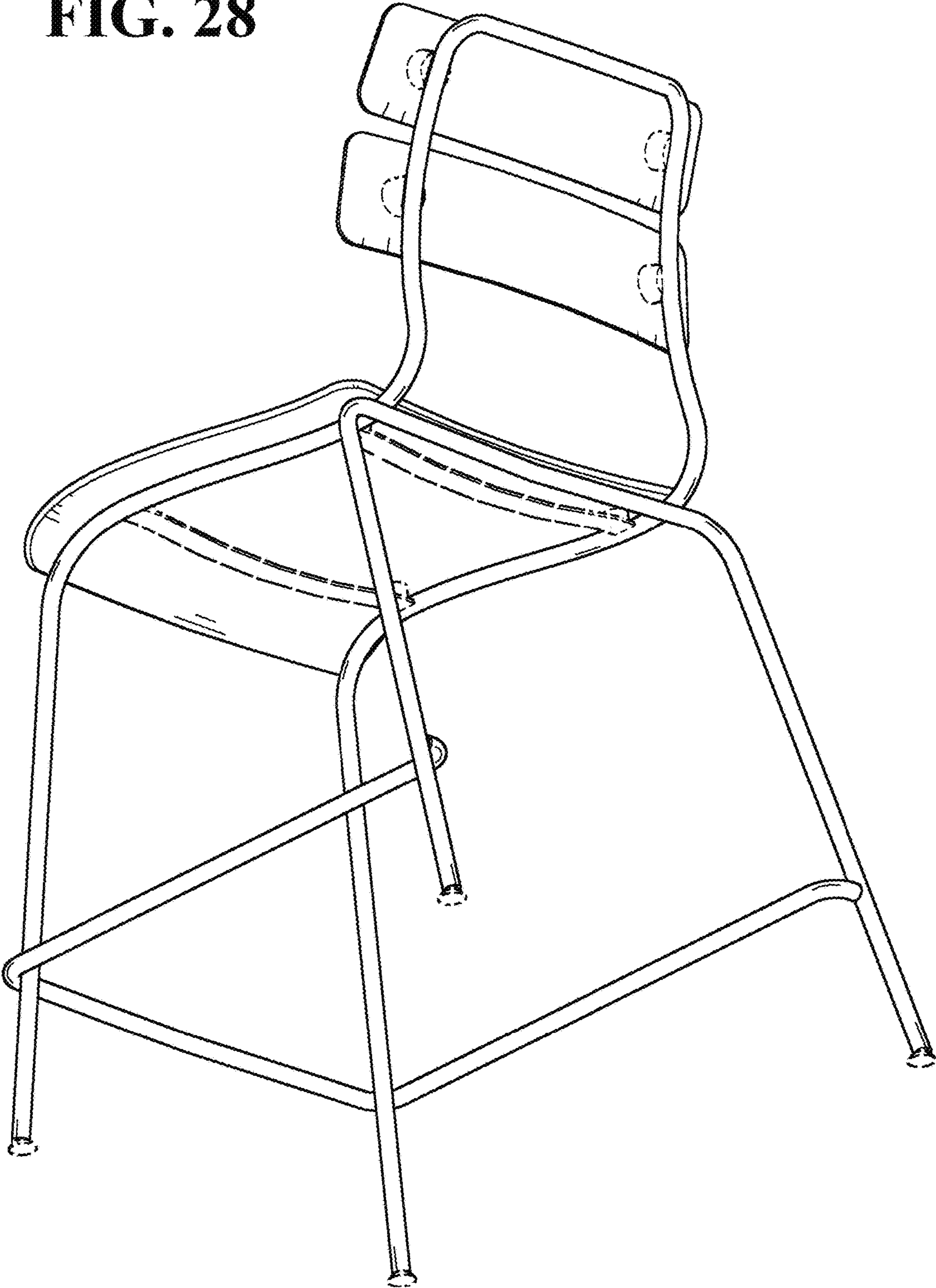


FIG. 28



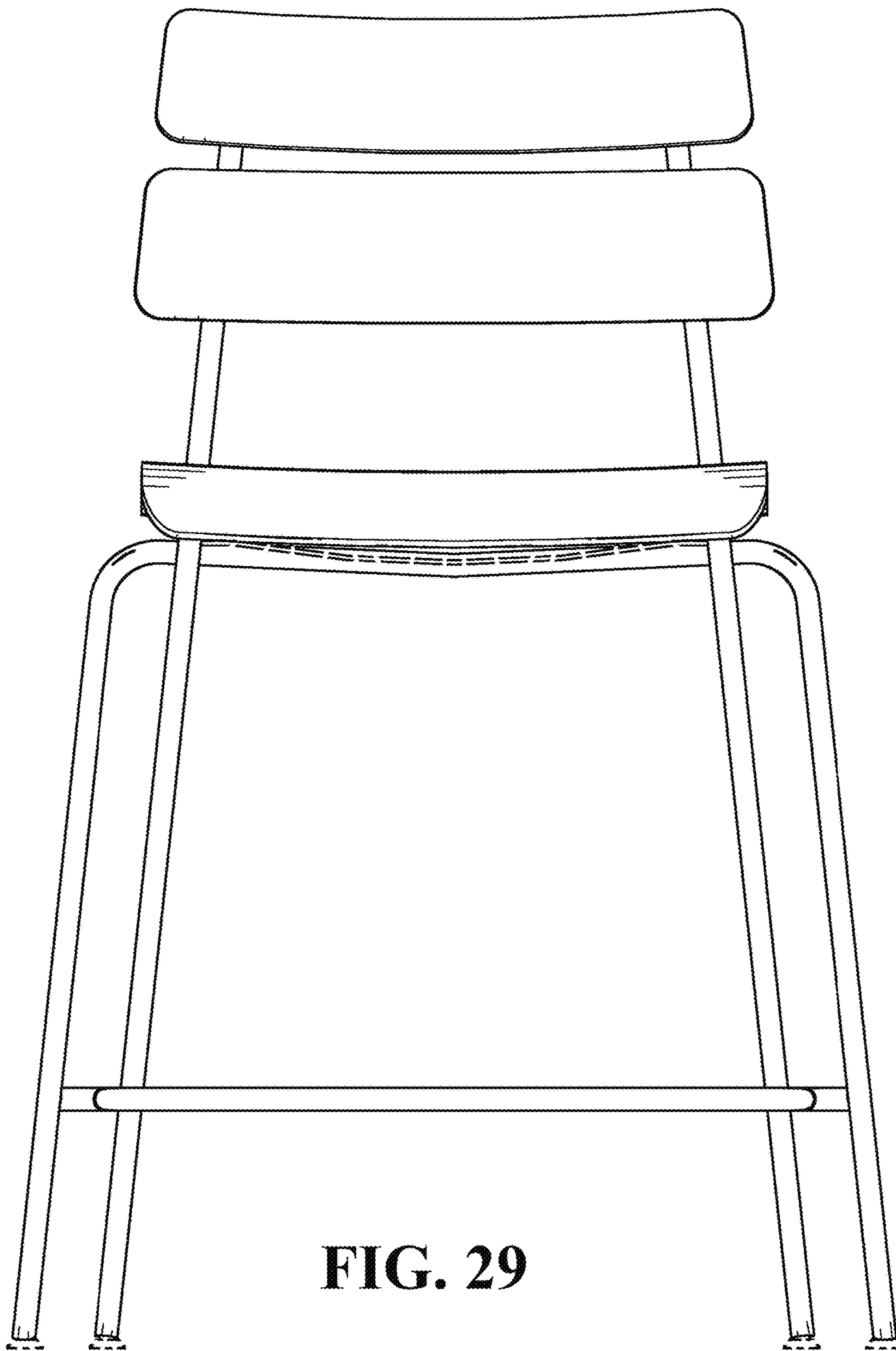


FIG. 29

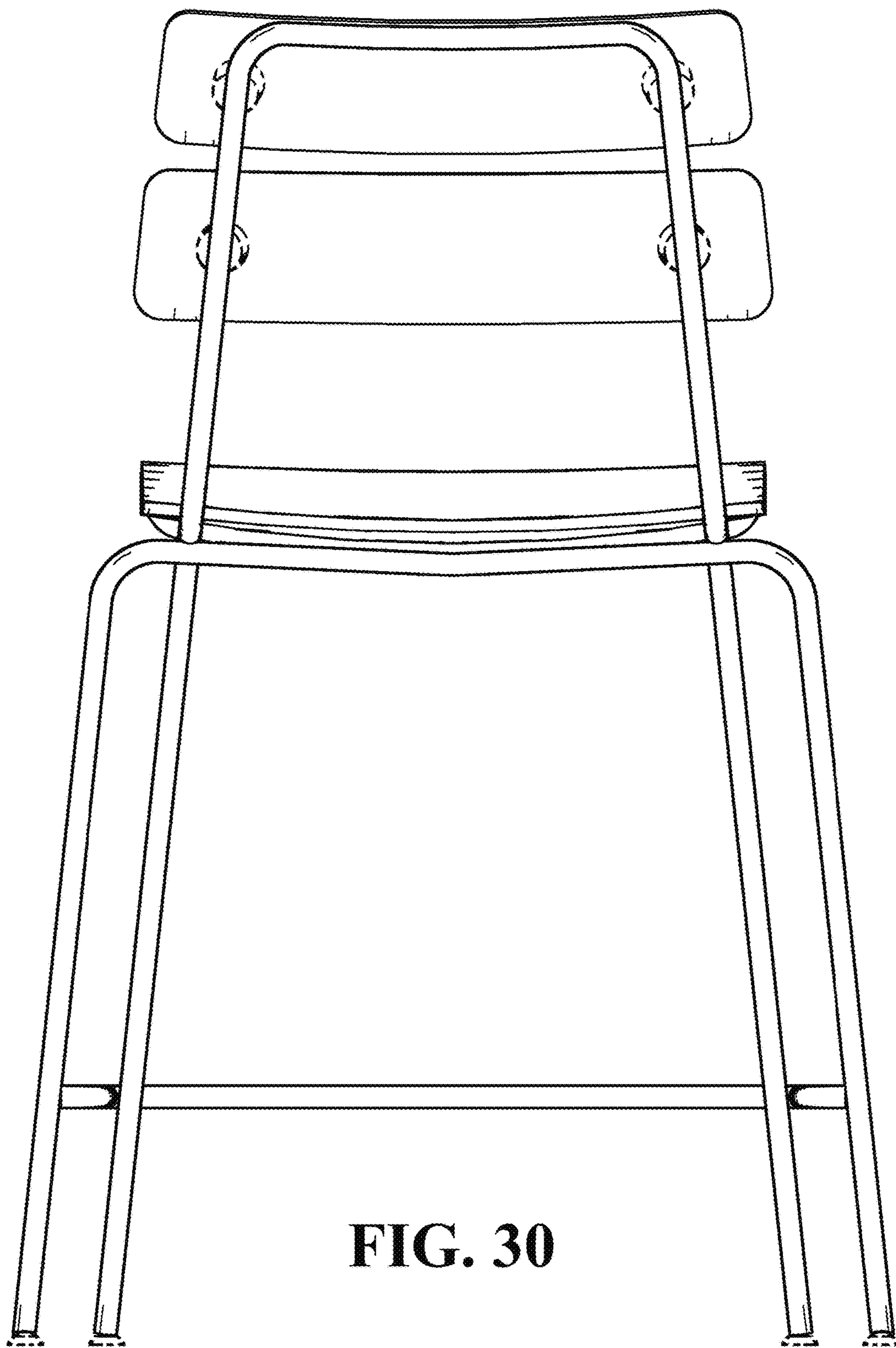


FIG. 30

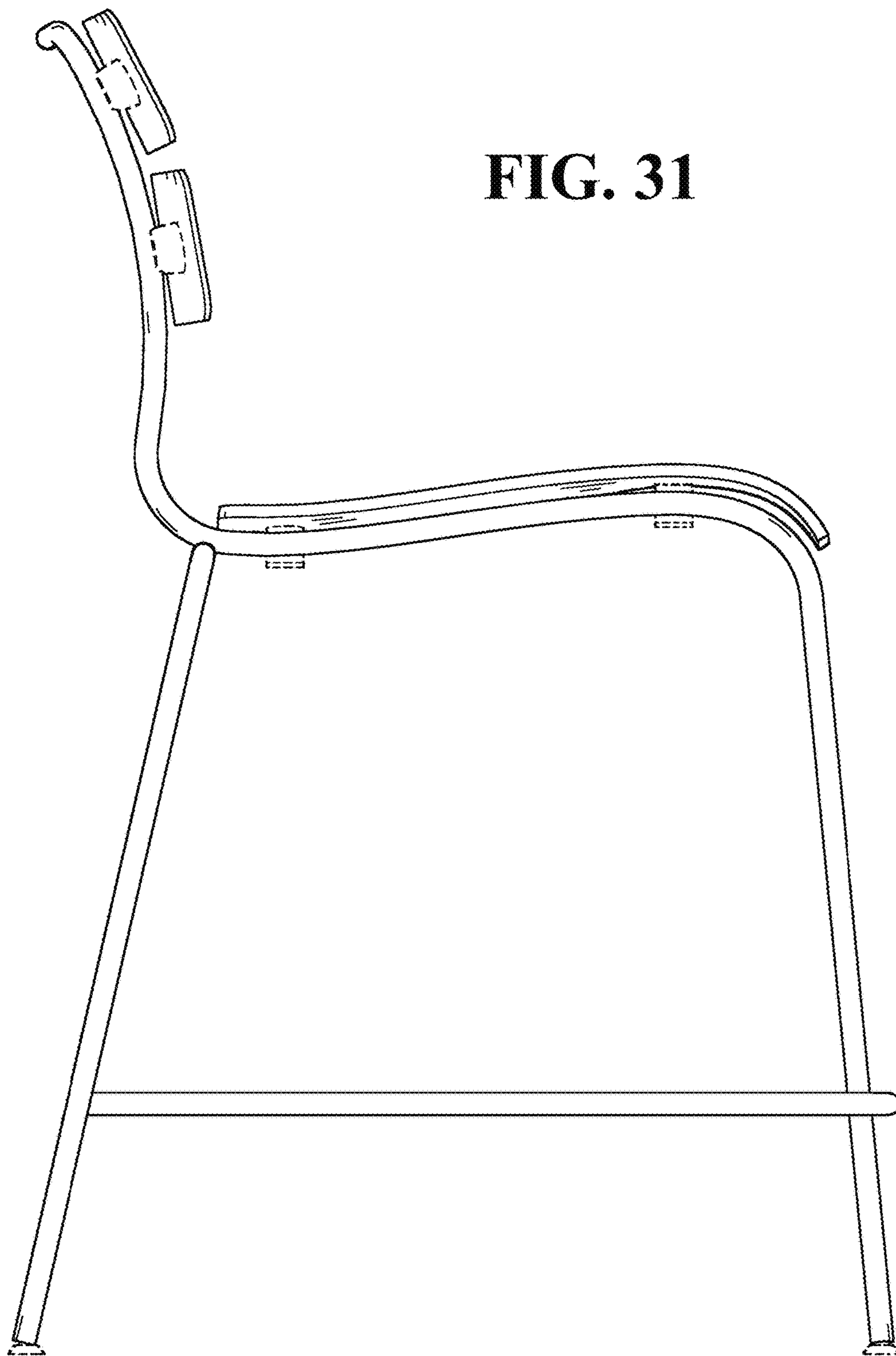


FIG. 31

FIG. 32

