



US00D798073S

(12) **United States Design Patent** (10) **Patent No.:** **US D798,073 S**
Asner (45) **Date of Patent:** **** Sep. 26, 2017**

- (54) **BACKLESS BENCH**
- (71) Applicant: **COUNTRY CASUAL TEAK, INC.**,
Gaithersburg, MD (US)
- (72) Inventor: **Kimberly E. Asner**, Baltimore, MD
(US)
- (73) Assignee: **Country Casual Teak, Inc.**,
Gaithersburg, MD (US)
- (**) Term: **15 Years**
- (21) Appl. No.: **29/572,053**
- (22) Filed: **Jul. 25, 2016**
- (51) **LOC (10) Cl.** **06-01**
- (52) **U.S. Cl.**
USPC **D6/349; D6/370**
- (58) **Field of Classification Search**
USPC D6/334, 349-355, 363, 360, 368, 374,
D6/403, 405, 657, 675.4, 685, 688.17,
D6/690, 691.9, 693-693.3, 695, 696, 708,
D6/708.15-708.25, 709.11; D25/62-65
CPC A47C 9/00-9/105; A47C 7/00-7/02; A47C
16/00-16/04; A47B 7/00-7/02; A47B
3/00; A47B 3/02; A47B 3/04; A47B 3/12
See application file for complete search history.

- D465,936 S * 11/2002 Arnold D6/349
- D583,577 S * 12/2008 Wicha D6/349
- D599,570 S * 9/2009 Skalka D6/355
- D614,889 S * 5/2010 Van Duysen D6/691.5
- D615,765 S * 5/2010 Chan D6/381
- D766,630 S * 9/2016 Akana D6/691.1
- 2016/0338491 A1 * 11/2016 Demichael A47C 11/00

OTHER PUBLICATIONS

Teak Picnic Tables Bond 6 ft. [online] Published on Mar. 16, 2017. Retrieved Jul. 5, 2017 from URL: http://www.countrycasualteak.com/bond-6-ft-picnic-set.*

Teak Benches Bond 6 ft. [online] Retrieved Jul. 5, 2017 from URL: http://www.countrycasualteak.com/bond-6-ft-backless-bench.*

Bayhead Backless Teak Picnic Bench. [online] Published on Sep. 9, 2015. Retrieved Jul. 5, 2017 from URL: https://www.wayfair.com/CO9-Design-Bayhead-Backless-Teak-Picnic-Bench-BH50-L6165-K-GD1013.html?refid=GX99081612922-GD1013&device=c&ptid=144860622076&targetid=pla-144860622076&gclid=CPOBp62E89QCFchKDQodzRAKEw.*

* cited by examiner

Primary Examiner — Vy N Koenig
(74) *Attorney, Agent, or Firm* — Rosenberg, Klein & Lee

(57) **CLAIM**

The ornamental design for a backless bench, as shown and described.

(56) **References Cited**

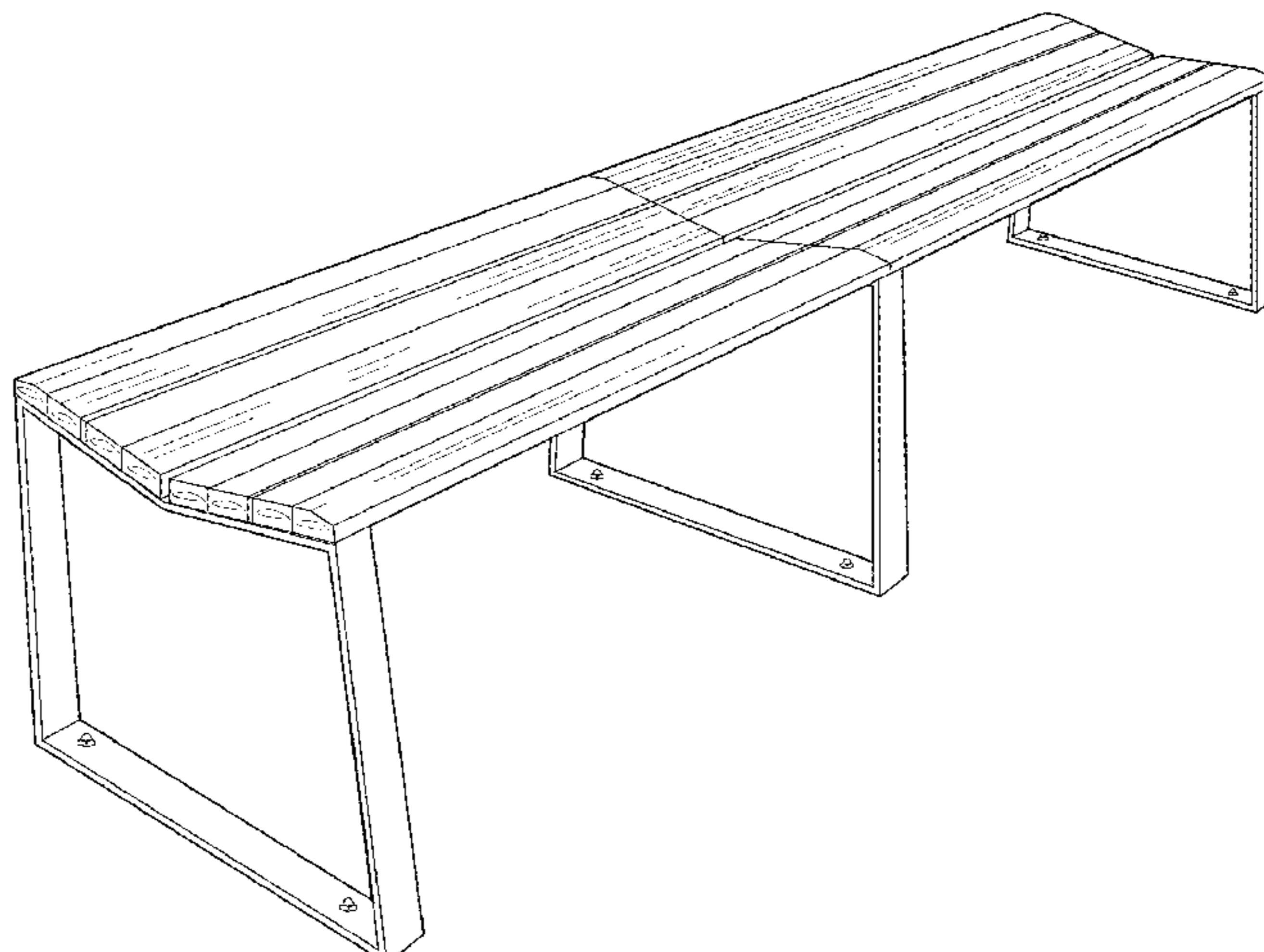
U.S. PATENT DOCUMENTS

- 2,856,985 A * 10/1958 Lepper A47B 83/02
297/124
- D193,615 S * 9/1962 Black et al. D6/336
- 3,093,096 A * 6/1963 Black A47B 13/08
248/163.1
- D245,135 S * 7/1977 Saltz D6/691.1
- D249,312 S * 9/1978 Taber D6/691.1
- D296,961 S * 8/1988 Norton D6/370
- D303,877 S * 10/1989 Norton D6/349
- D357,364 S * 4/1995 Dionne D6/335
- 5,553,551 A * 9/1996 Crombie A01G 9/1423
108/181

DESCRIPTION

FIG. 1 is a front perspective view of a backless bench, showing my new design;
FIG. 2 is a right elevational view thereof, the left elevational view being a mirror image of the right elevational view thereof;
FIG. 3 is a front elevational view thereof;
FIG. 4 is a bottom plan view thereof; and,
FIG. 5 is a top plan view thereof.

1 Claim, 5 Drawing Sheets



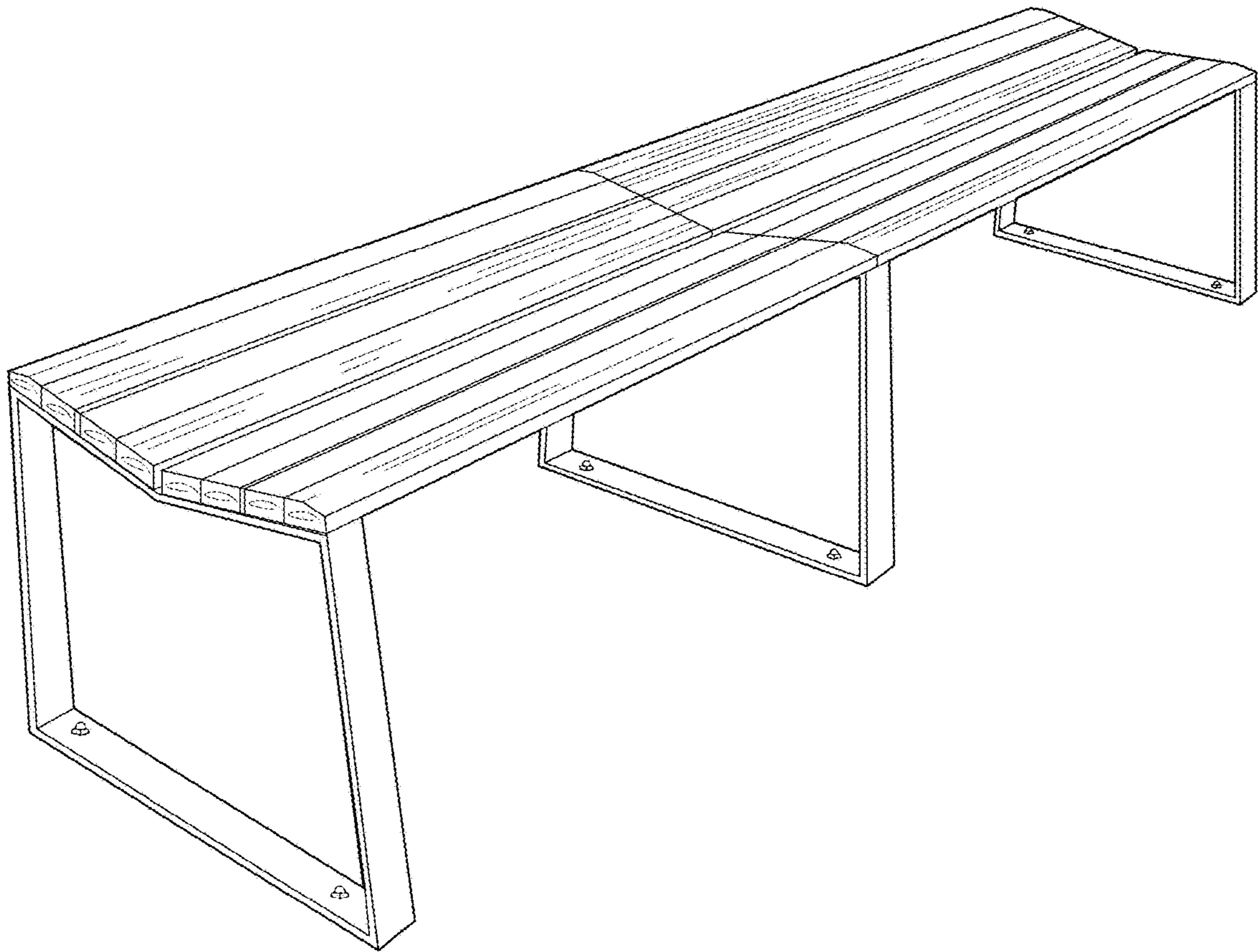


Fig. 1

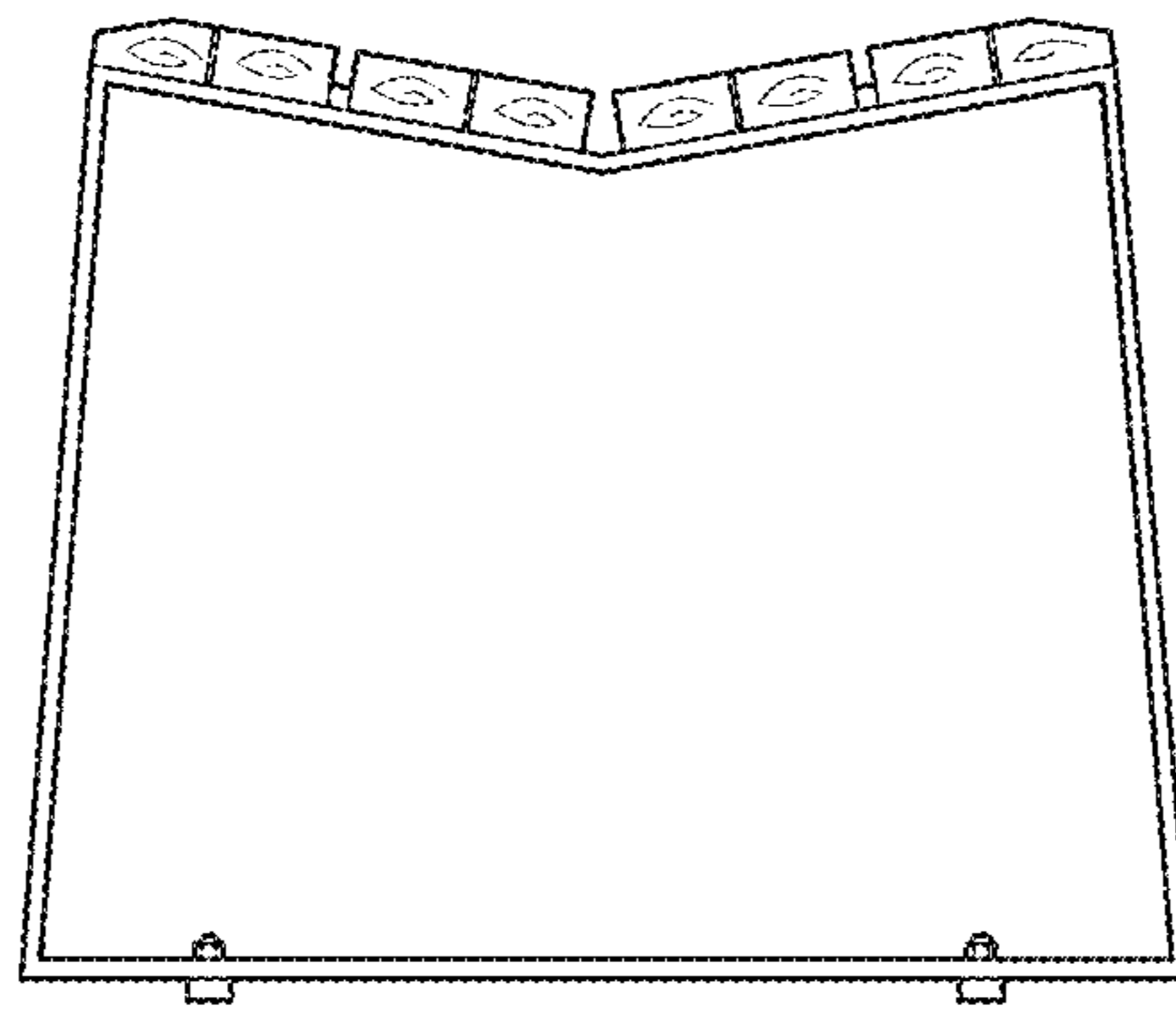


Fig. 2

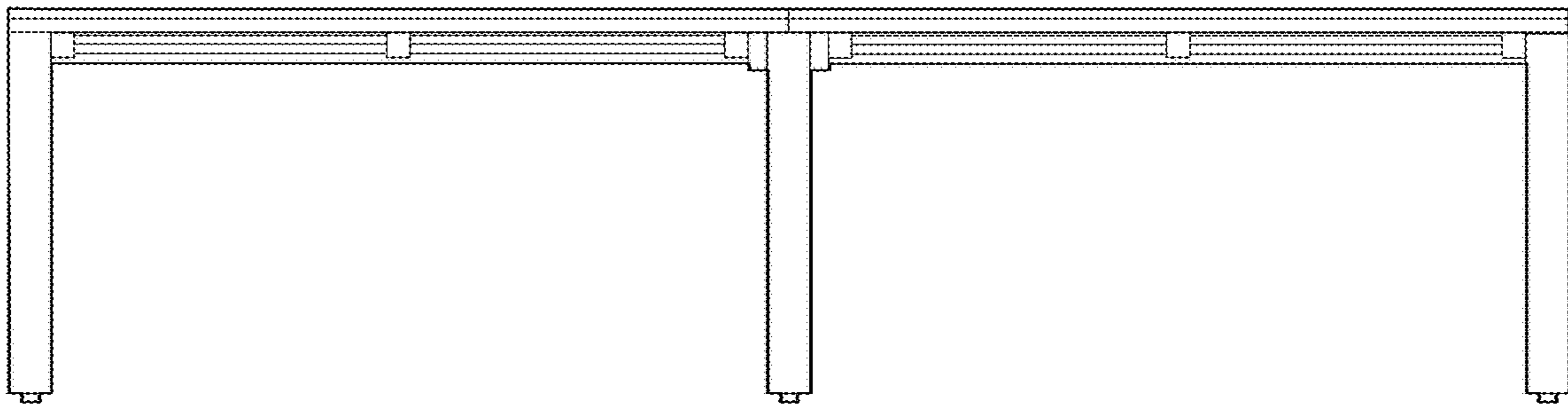


Fig. 3

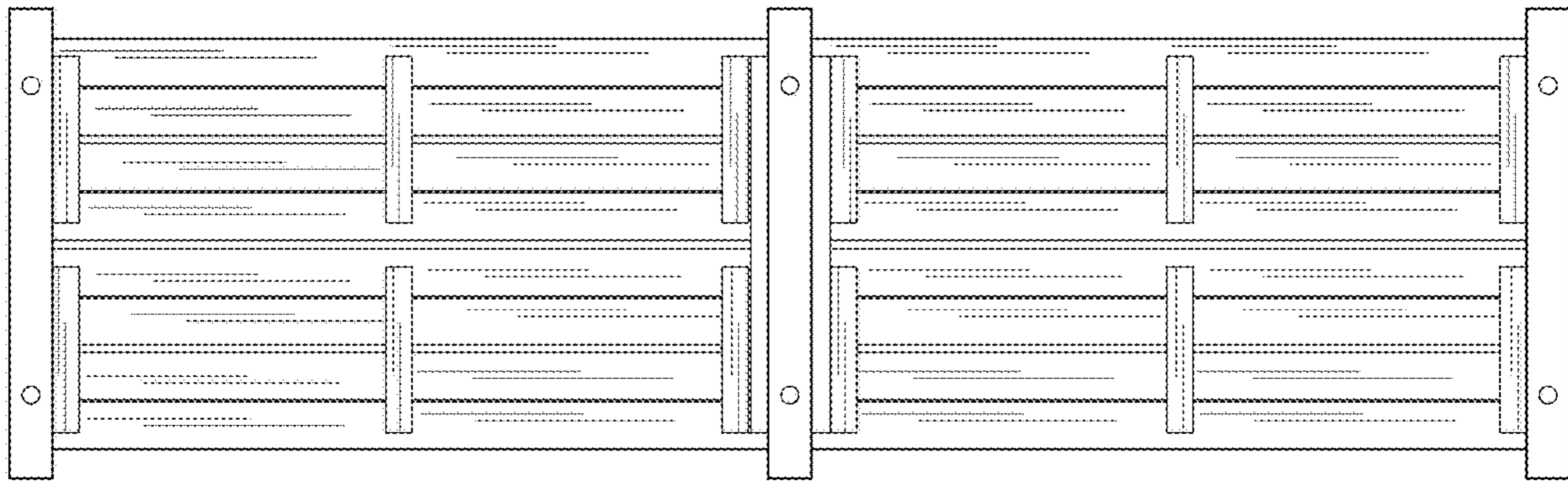


Fig. 4

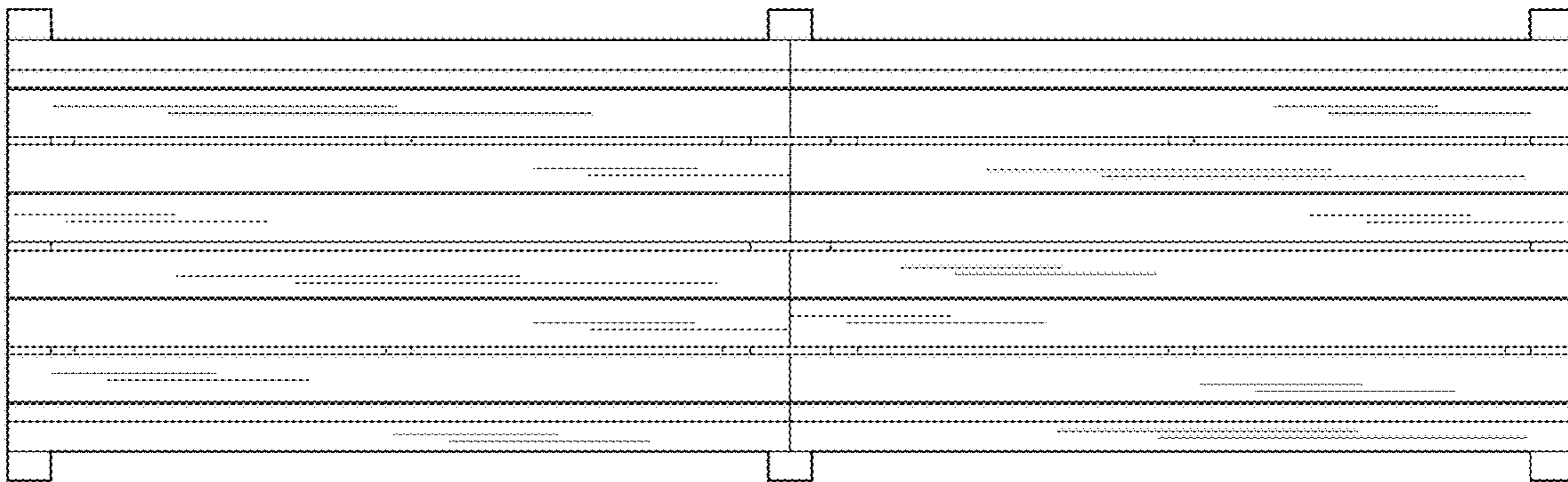


Fig. 5