



US00D798072S

(12) **United States Design Patent** (10) **Patent No.:** **US D798,072 S**
Massaud (45) **Date of Patent:** **** *Sep. 26, 2017**

(54) **SOFA**

(71) Applicant: **ARPER S.P.A.**, Monastier di Treviso (IT)
(72) Inventor: **Jean-Marie Massaud**, Treviso (IT)
(73) Assignee: **Arper S.p.A.**, Monastier di Treviso (IT)
(*) Notice: This patent is subject to a terminal disclaimer.
(**) Term: **15 Years**
(21) Appl. No.: **35/500,561**
(22) Filed: **Oct. 14, 2015**

(80) **Hague Agreement Data**

Int. Filing Date: **Oct. 14, 2015**
Int. Reg. No.: **DM/089067**
Int. Reg. Date: **Oct. 14, 2015**
Int. Reg. Pub. Date: **Feb. 5, 2016**

(30) **Foreign Application Priority Data**

Apr. 17, 2015 (WO) DM/086895

(51) **LOC (10) Cl.** **06-01**

(52) **U.S. Cl.**
USPC **D6/334**

(58) **Field of Classification Search**
USPC D6/334, 371, 372, 374, 375, 381, 708.17
CPC A47C 3/12; A47C 5/00; A47C 5/06; A47C 5/12; A47C 7/08; A47C 7/18; A47C 7/21; A47C 7/24; A47C 7/16; A47C 7/54; A47C 17/00

See application file for complete search history.

(56) **References Cited**

U.S. PATENT DOCUMENTS

D318,183 S *	7/1991	Fister, Jr.	D6/334
D360,310 S *	7/1995	Stamberg	D6/334
D498,064 S *	11/2004	Gomez	D6/334
D499,270 S *	12/2004	Relling	D6/381
D501,330 S *	2/2005	Gomez	D6/334
D533,365 S *	12/2006	Martin	D6/334
D539,561 S *	4/2007	Martin	D6/381
D590,165 S *	4/2009	Natuzzi	D6/381
D601,825 S *	10/2009	Starck	D6/381
D702,051 S *	4/2014	Rasenberg	D6/334
D725,931 S *	4/2015	Lievore	D6/381

* cited by examiner

Primary Examiner — Mary Ann Calabrese

(74) *Attorney, Agent, or Firm* — Thomas | Horstemeyer, LLP

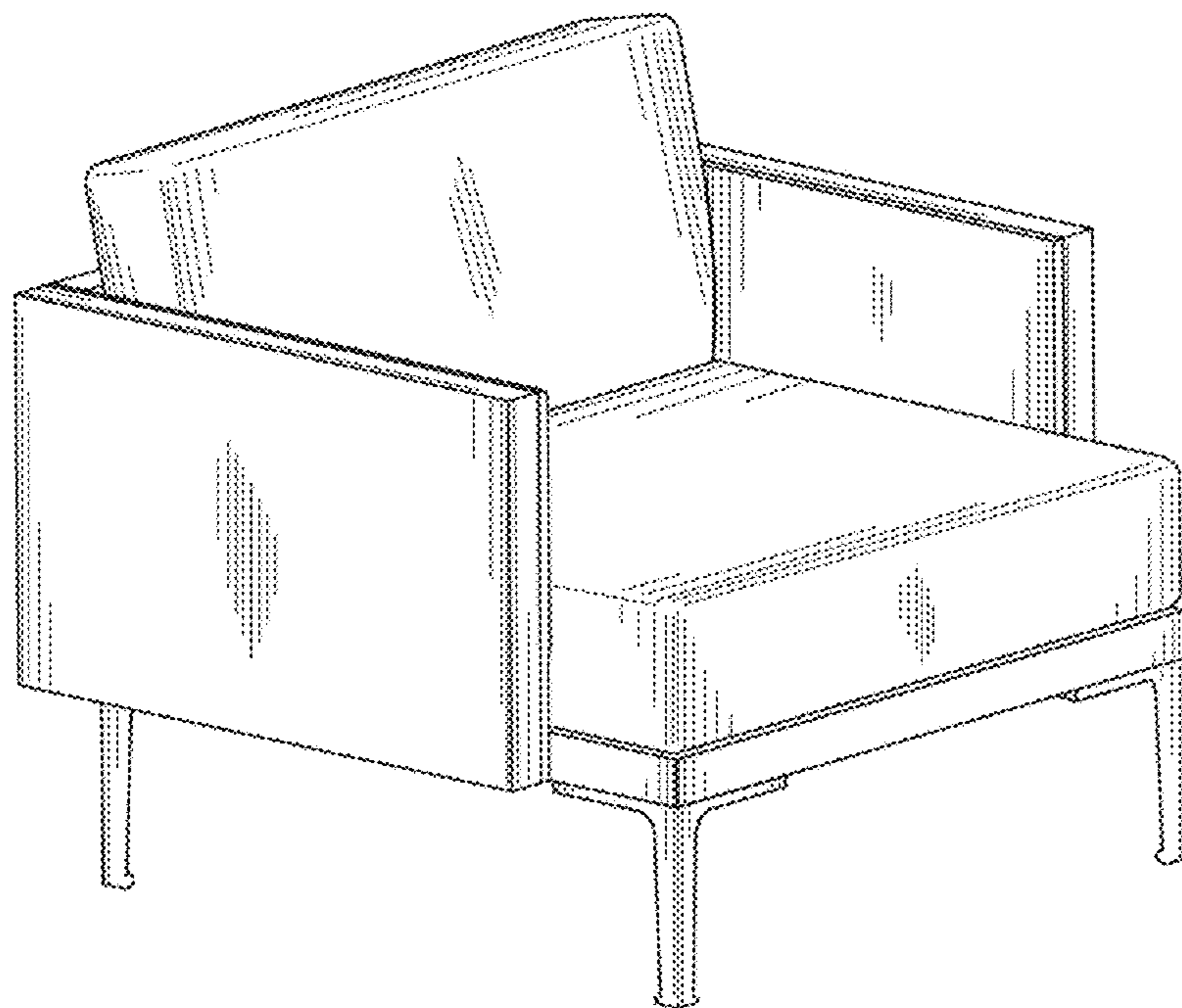
(57) **CLAIM**

The ornamental design for a sofa, as shown and described.

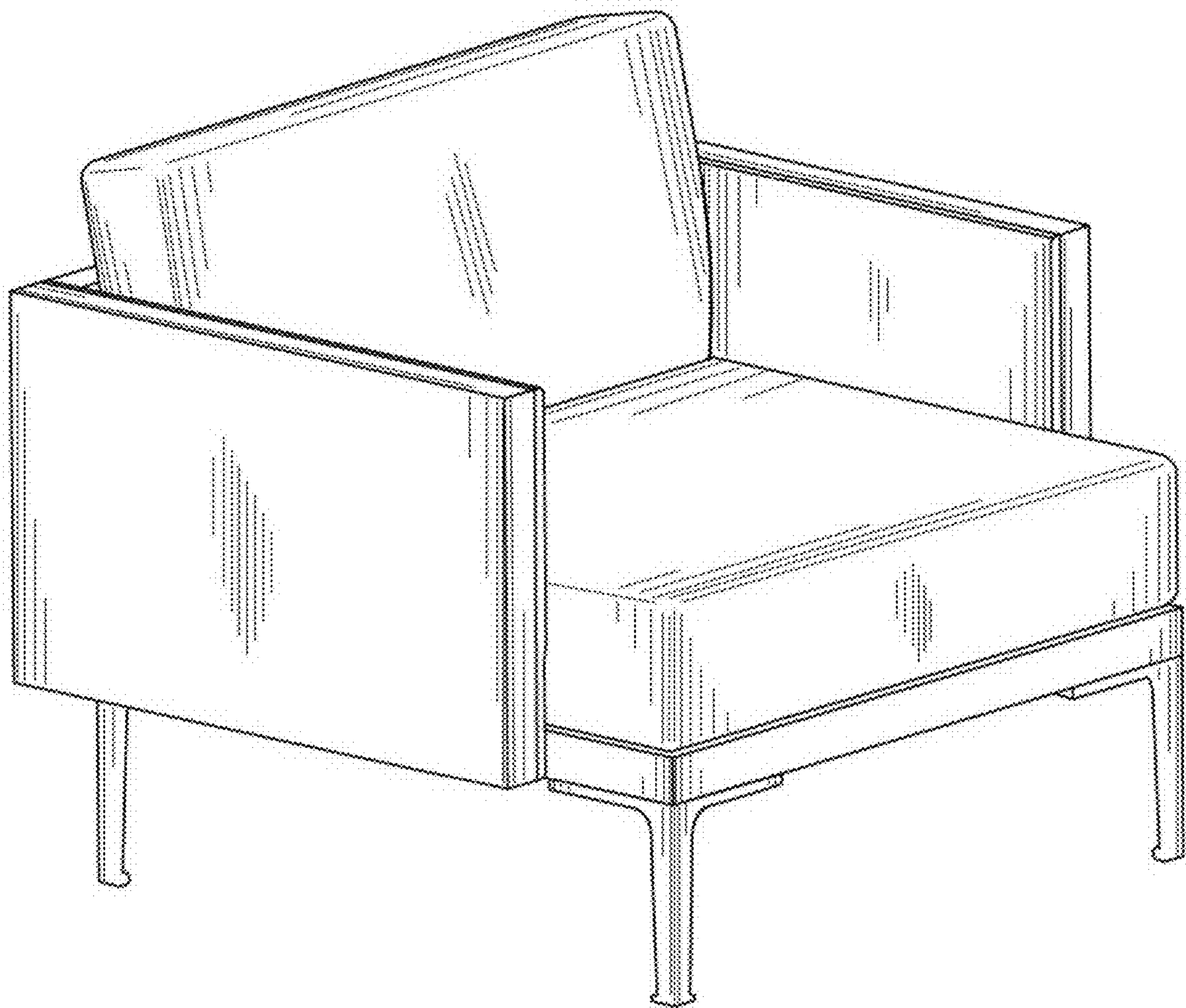
DESCRIPTION

- 1.1 is a perspective view;
- 1.2 is a right side view thereof;
- 1.3 is a left side view thereof;
- 1.4 is a front view thereof;
- 1.5 is a rear view thereof;
- 1.6 is a top view thereof; and
- 1.7 is a bottom view thereof.

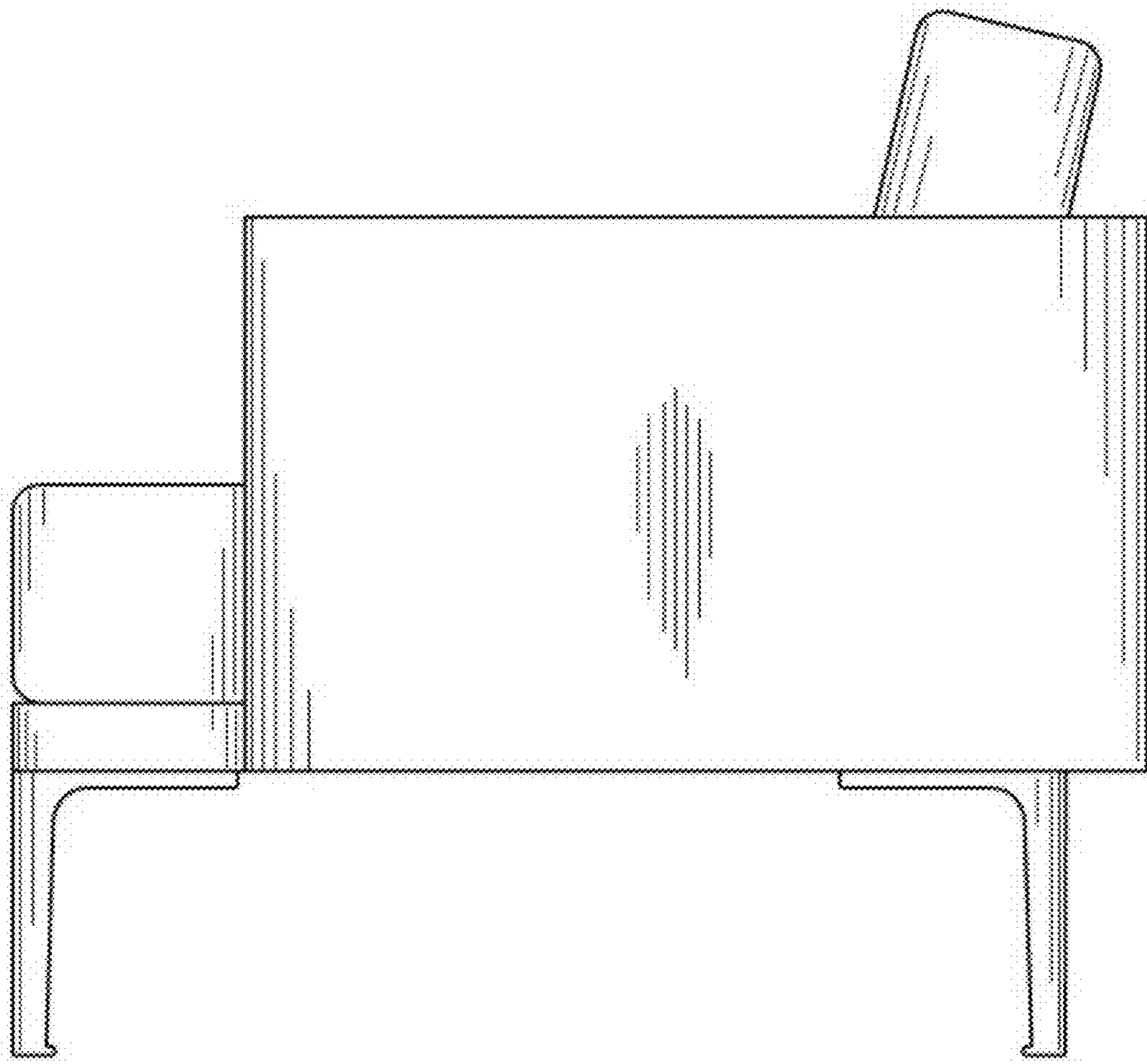
1 Claim, 7 Drawing Sheets



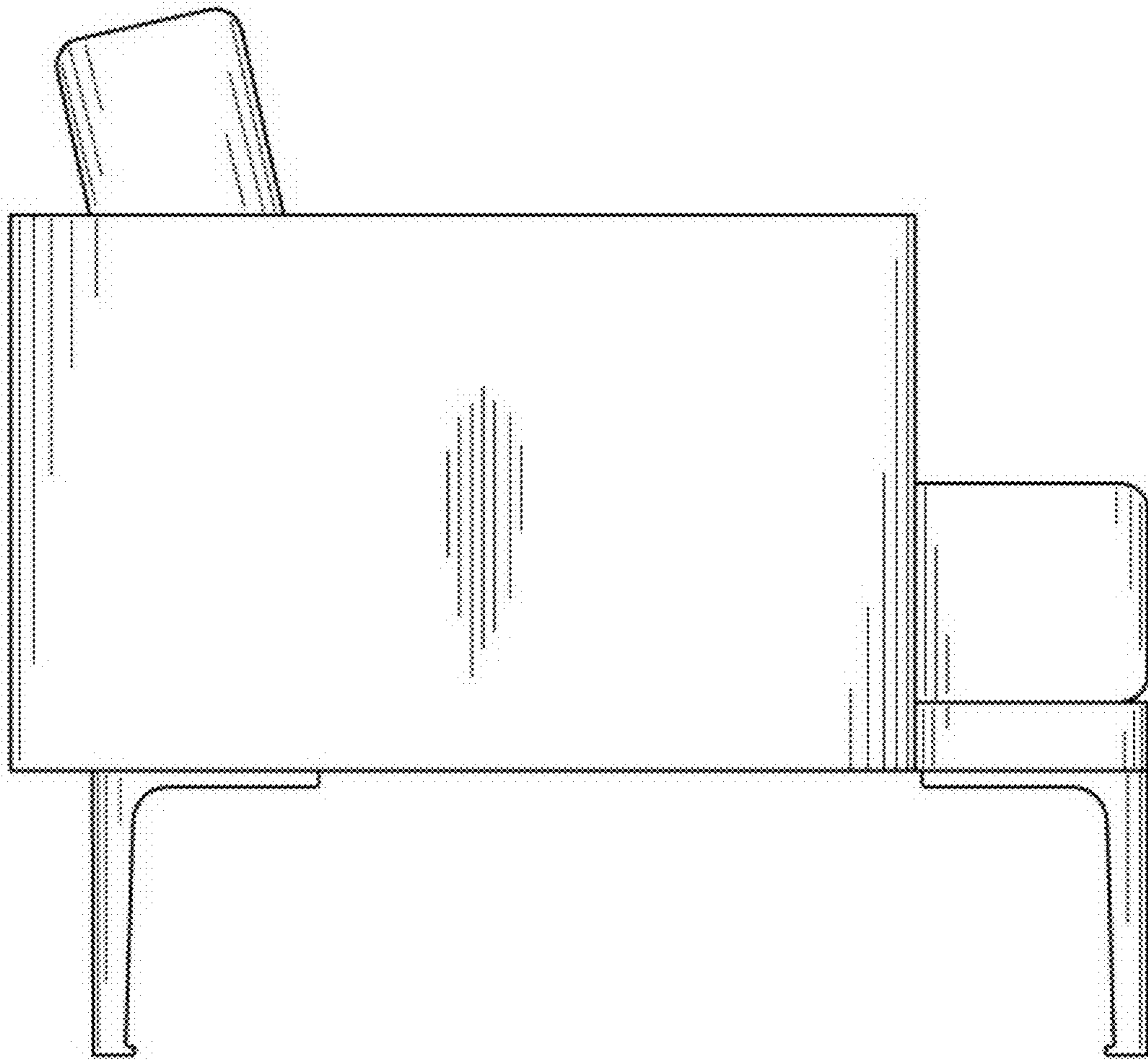
1.1



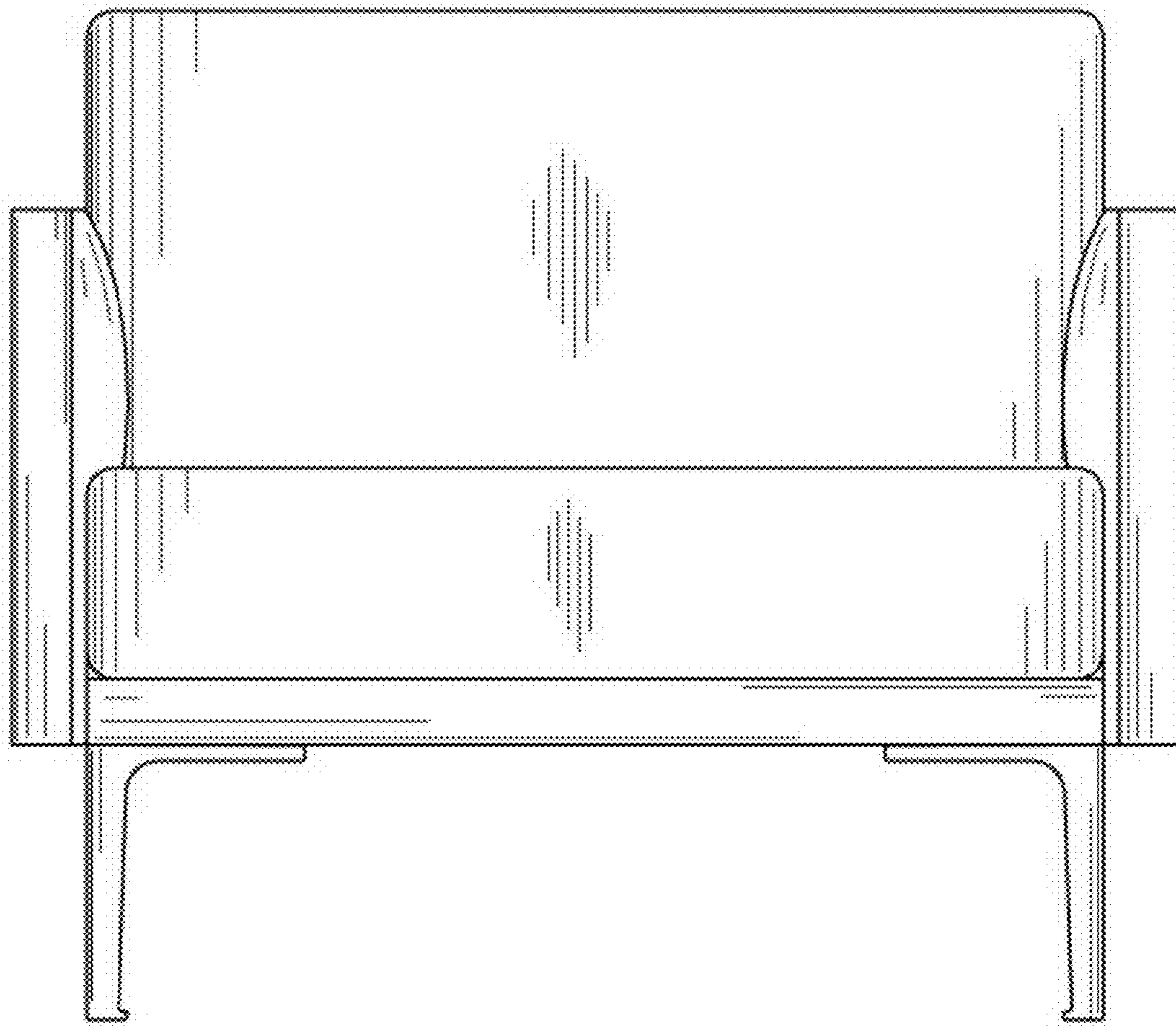
1.2



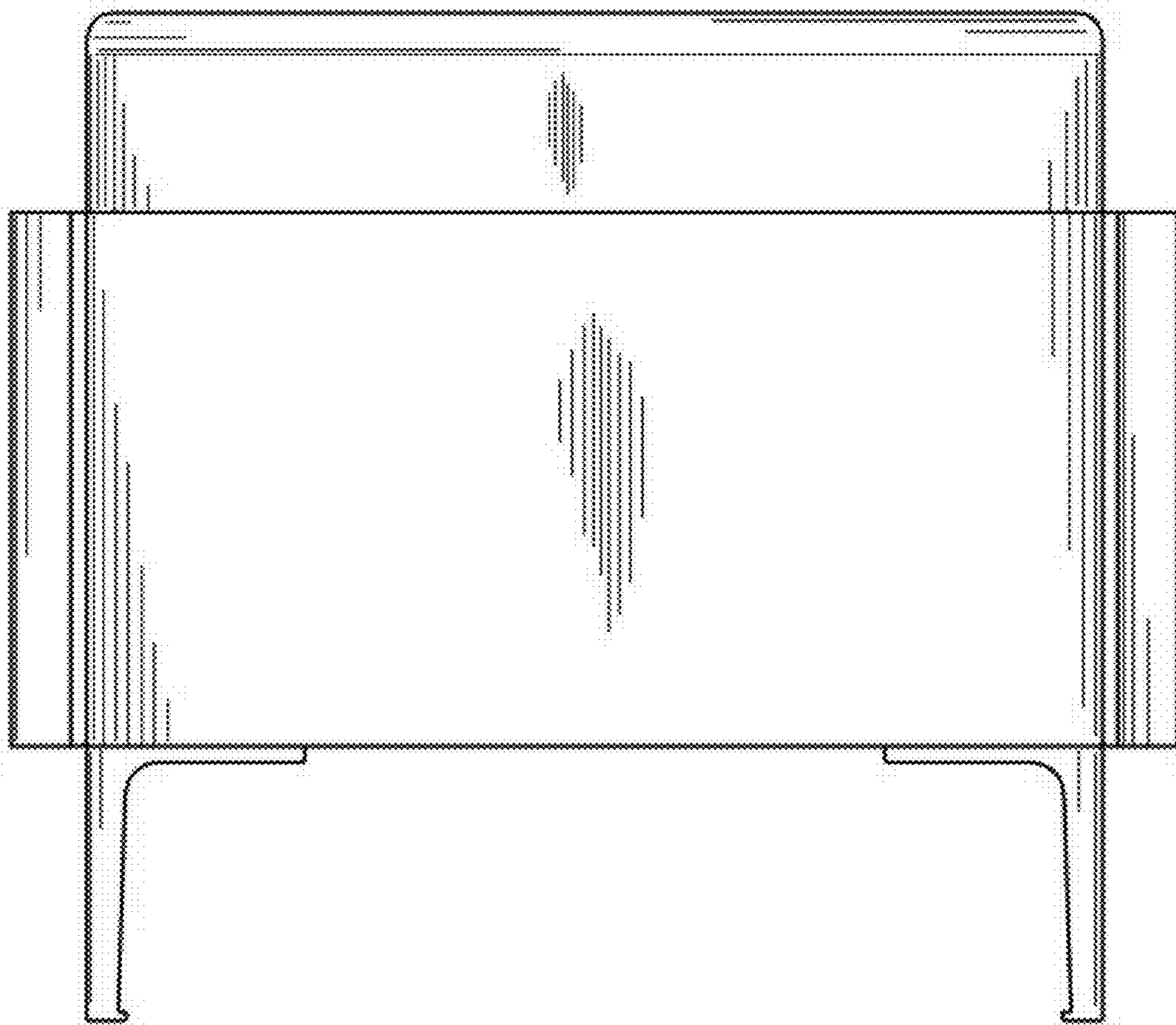
1.3



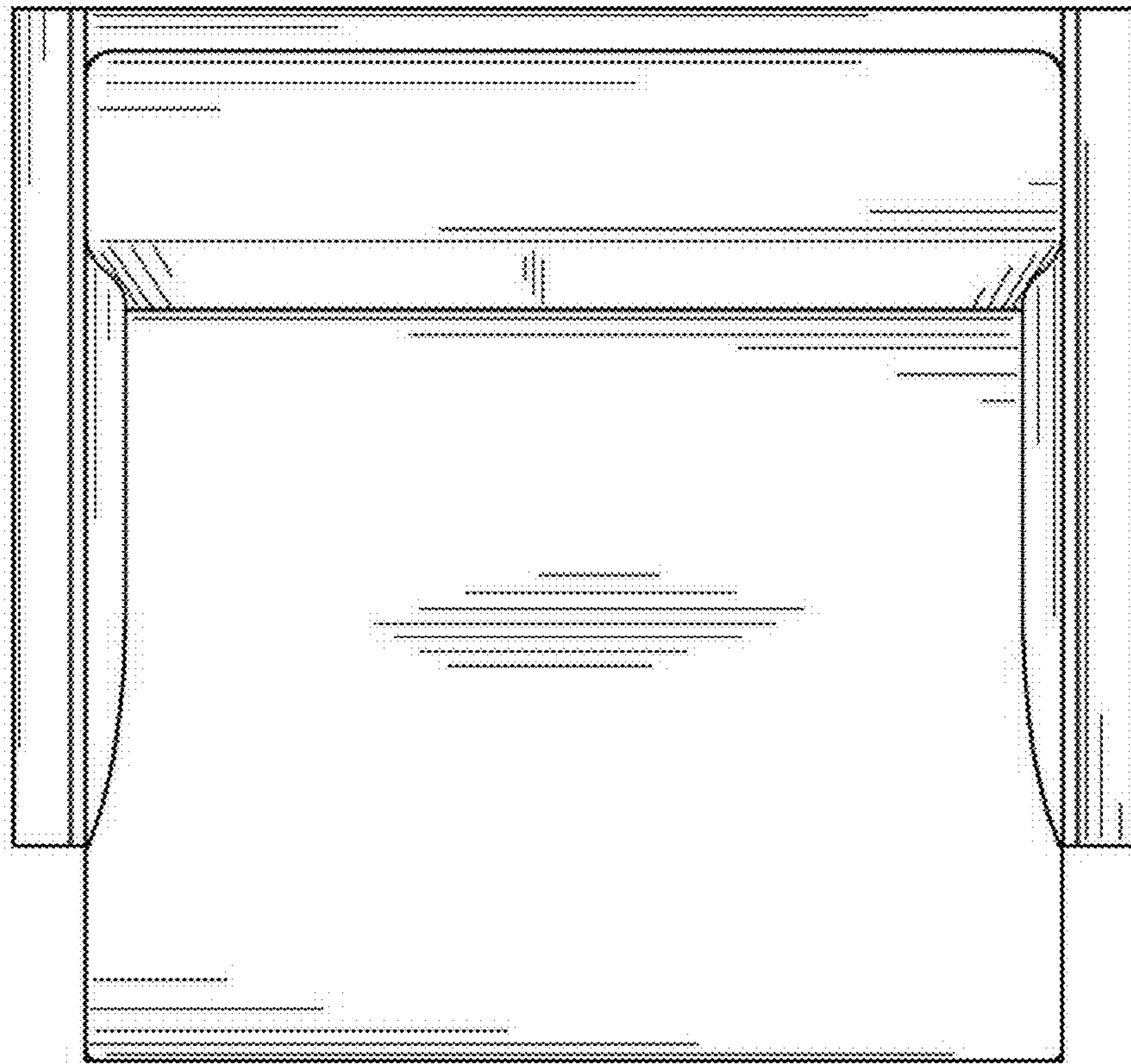
1.4



1.5



1.6



1.7

