



US00D798065S

(12) **United States Design Patent**
Brilla

(10) **Patent No.:** **US D798,065 S**

(45) **Date of Patent:** **** Sep. 26, 2017**

- (54) **BATHING SPONGE HANDLE**
- (71) Applicant: **Joshua Brilla**, LaVerne, CA (US)
- (72) Inventor: **Joshua Brilla**, LaVerne, CA (US)
- (**) Term: **15 Years**
- (21) Appl. No.: **29/555,799**
- (22) Filed: **Feb. 24, 2016**
- (51) **LOC (10) Cl.** **04-02**
- (52) **U.S. Cl.**
USPC **D4/138; D28/63**
- (58) **Field of Classification Search**
USPC D4/122, 127, 131, 132, 133, 134, 135,
D4/130, 199, 138; D24/211, 212, 213,
D24/214, 215, 218; D28/7, 63; D32/40,
D32/43, 45
CPC .. A46B 5/02; A46B 9/02; A46B 9/026; A46B
2200/102; A46B 2200/1006; A47K 7/02;
A47L 13/12
See application file for complete search history.

D310,270 S *	8/1990	Bacal	401/6
D341,001 S *	11/1993	Pantages	D28/7
D355,726 S *	2/1995	Delmerico	D28/7
D380,868 S *	7/1997	Santore	D28/63
6,276,022 B1	8/2001	Gallacher		
6,557,204 B2	5/2003	Maxwell		
6,689,224 B1	2/2004	Hillman		
D544,667 S *	6/2007	Nelson	D32/50
7,469,442 B1	12/2008	Matheson		
D589,259 S *	3/2009	Littmann	D4/104
D595,099 S *	6/2009	Dederer	D7/688
D698,156 S *	1/2014	Kling	D4/104
D744,242 S *	12/2015	Harrington	D4/138
D744,243 S *	12/2015	Harrington	D4/118
2006/0168750 A1 *	8/2006	Dotterman	A47L 13/12 15/228

* cited by examiner

Primary Examiner — Karen E Eldridge Powers

(57) **CLAIM**

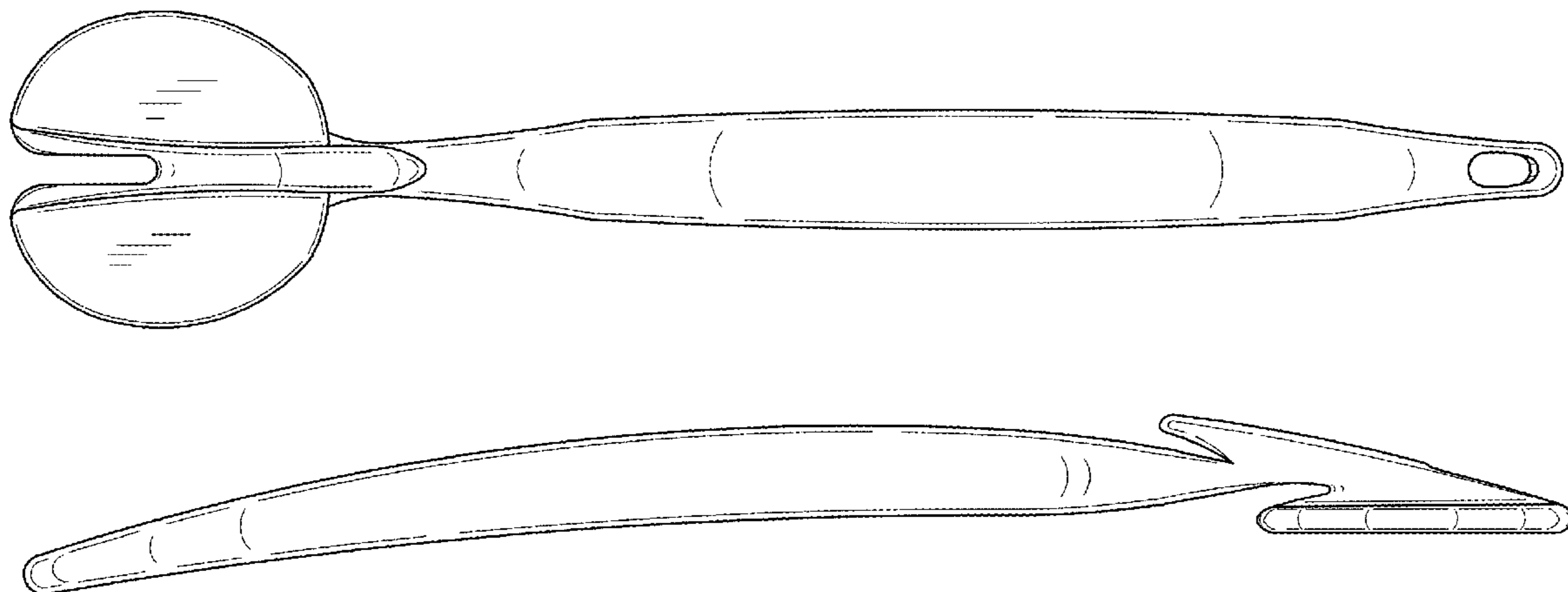
The ornamental design for a bathing sponge handle, as shown and described.

DESCRIPTION

FIG. 1 is a top plan view of a bathing sponge handle showing my new design;
 FIG. 2 is a bottom plan view of the bathing sponge handle;
 FIG. 3 is a front elevation view of the bathing sponge handle;
 FIG. 4 is a rear elevation view of the bathing sponge handle;
 and,
 FIG. 5 is a right side elevation view of the bathing sponge handle, a left side elevation view being a mirror image thereof.

1 Claim, 2 Drawing Sheets

- (56) **References Cited**
U.S. PATENT DOCUMENTS
315,814 A 4/1885 Morgan
D156,039 S 11/1949 Sabo
D183,065 S * 6/1958 Schotland D28/63
4,184,221 A 1/1980 Edwards
D265,255 S * 6/1982 O'Neil 401/140
4,508,108 A * 4/1985 Miyaoka A46B 5/00
15/145
D286,576 S * 11/1986 Schneider D19/185
D297,467 S * 8/1988 McCann D28/7



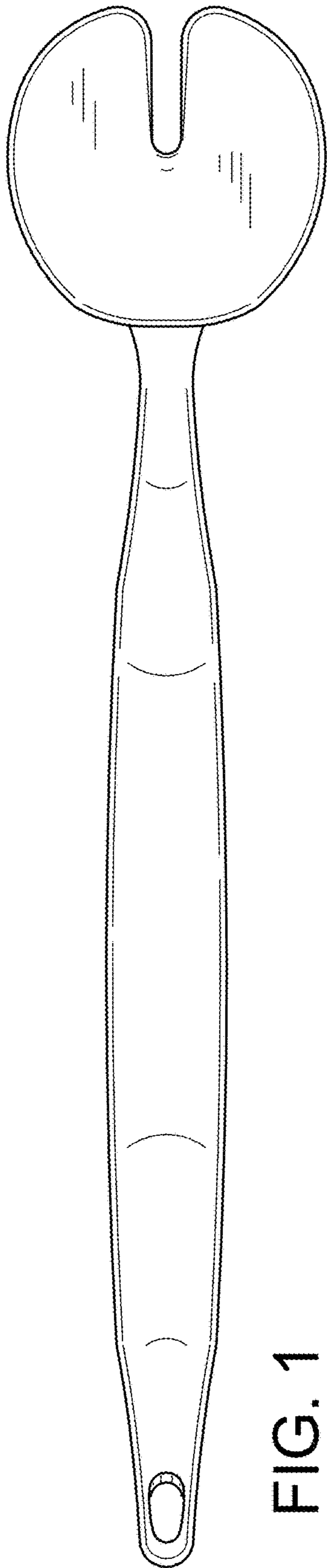


FIG. 1

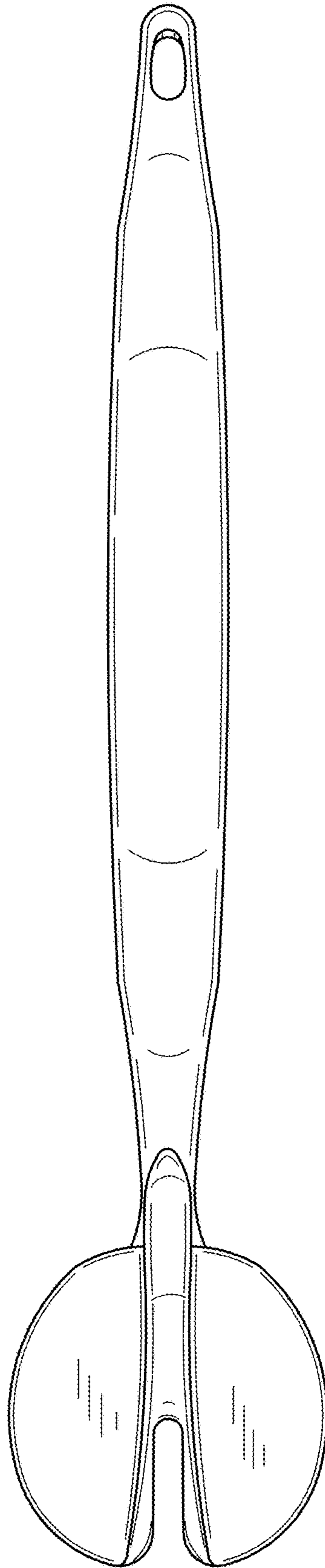


FIG. 2

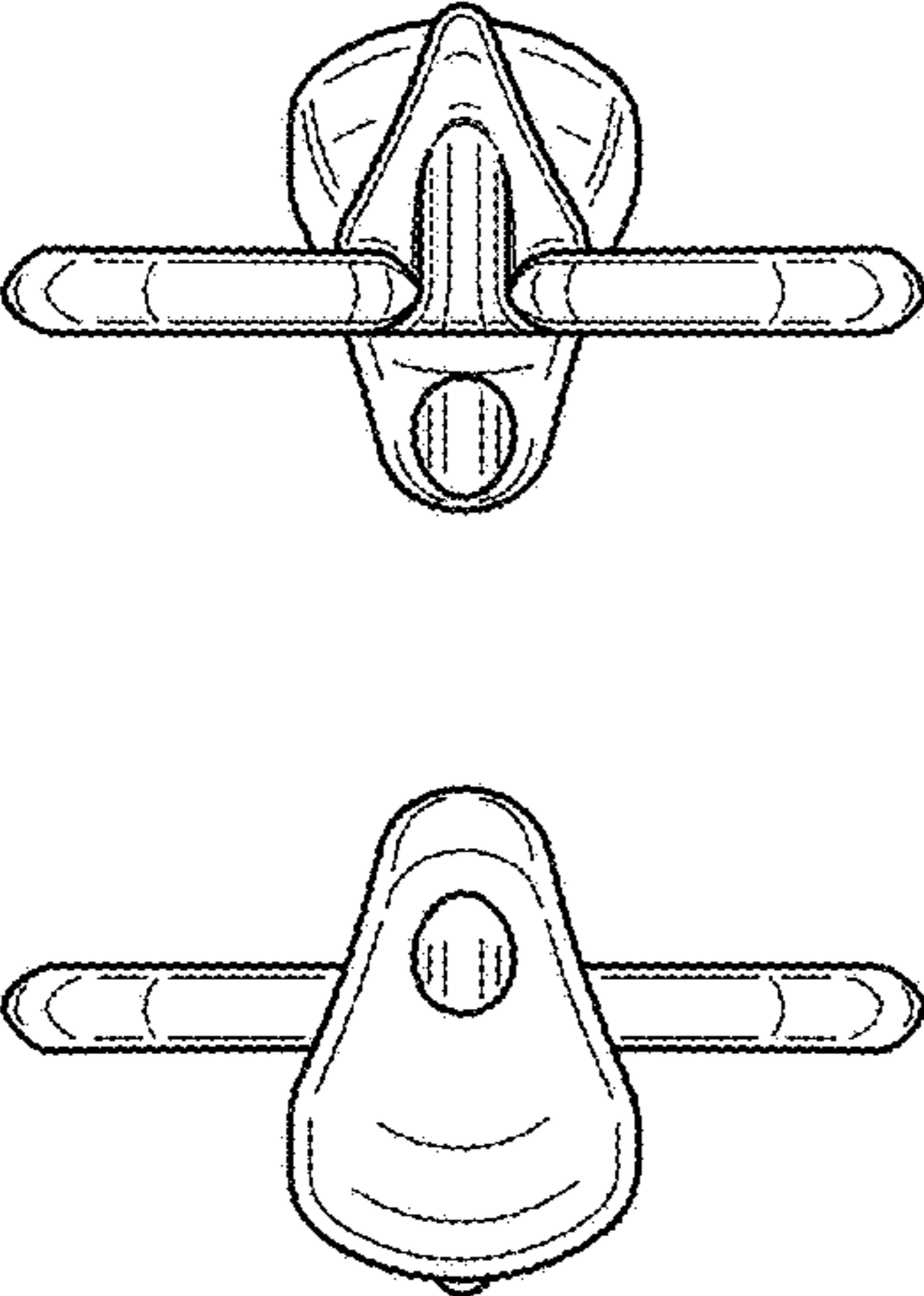


FIG. 3 FIG. 4

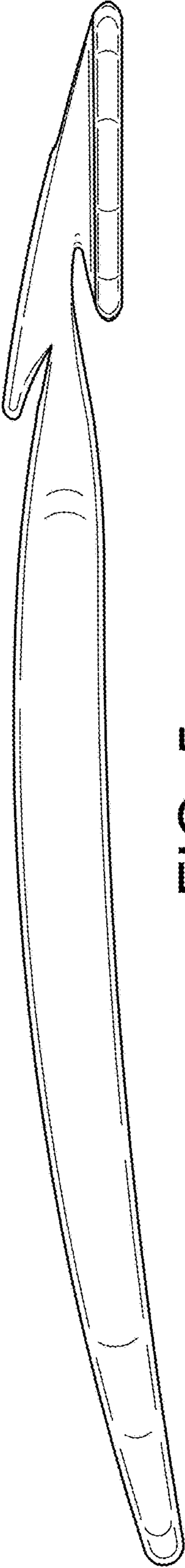


FIG. 5