



US00D798063S

(12) **United States Design Patent**
Grund et al.

(10) **Patent No.:** **US D798,063 S**

(45) **Date of Patent:** **** Sep. 26, 2017**

(54) **MAKEUP APPLICATOR**

(71) Applicant: **And.B, LLC**, New York, NY (US)

(72) Inventors: **Bobbie Lynn Grund**, New York, NY (US); **Andrea DeVos Abraham**, New York, NY (US)

(73) Assignee: **And.B, LLC**, New York, NY (US)

(**) Term: **15 Years**

(21) Appl. No.: **29/600,828**

(22) Filed: **Apr. 17, 2017**

Related U.S. Application Data

(63) Continuation of application No. 29/547,797, filed on Dec. 8, 2015, now abandoned.

(51) **LOC (10) Cl.** **04-01**

(52) **U.S. Cl.**
USPC **D4/120**

(58) **Field of Classification Search**
USPC D4/120, 135, 138, 101, 116, 131; D28/7, D28/56; D32/47; D24/119; 132/73.5
CPC A47K 7/028; A46B 9/02
See application file for complete search history.

(56) **References Cited**

U.S. PATENT DOCUMENTS

1,319,493	A	10/1919	Severance	
1,356,080	A	10/1920	Mason	
2,031,990	A	2/1936	Turner	
D307,332	S *	4/1990	Dahm	D28/7
5,430,905	A *	7/1995	Curtin	A46B 9/02 132/73.5
D370,098	S *	5/1996	Chou	D32/47
D378,026	S *	2/1997	Balazs	D28/7
D387,564	S	12/1997	Talbot	
5,774,922	A	7/1998	Bumb	

D433,189	S *	10/2000	Schoon	D28/56
6,176,631	B1	1/2001	Gueret	
6,210,060	B1	4/2001	Gueret	
D469,180	S *	1/2003	Mark	D24/119
6,779,532	B2	8/2004	Dorf	
D502,262	S *	2/2005	Cheetham	D24/119
D571,105	S	6/2008	Godin	
7,581,275	B2	9/2009	Rekart	
7,725,972	B2	6/2010	Berde et al.	
D630,437	S *	1/2011	Carey	D4/116
D657,144	S *	4/2012	Autie	D4/131
D663,957	S *	7/2012	Garcia	D4/135
D686,417	S *	7/2013	Pope	D4/135
8,528,501	B2	9/2013	Prochaska	
8,662,090	B2	3/2014	Gueret	
D710,617	S *	8/2014	Mink	D4/135
D713,646	S *	9/2014	Mink	D4/135
D714,558	S *	10/2014	Mink	D4/135
D717,548	S *	11/2014	Lim	D4/135
D739,148	S *	9/2015	Lim	D4/135

(Continued)

Primary Examiner — Rhea Shields

(74) *Attorney, Agent, or Firm* — Warner Norcross & Judd LLP

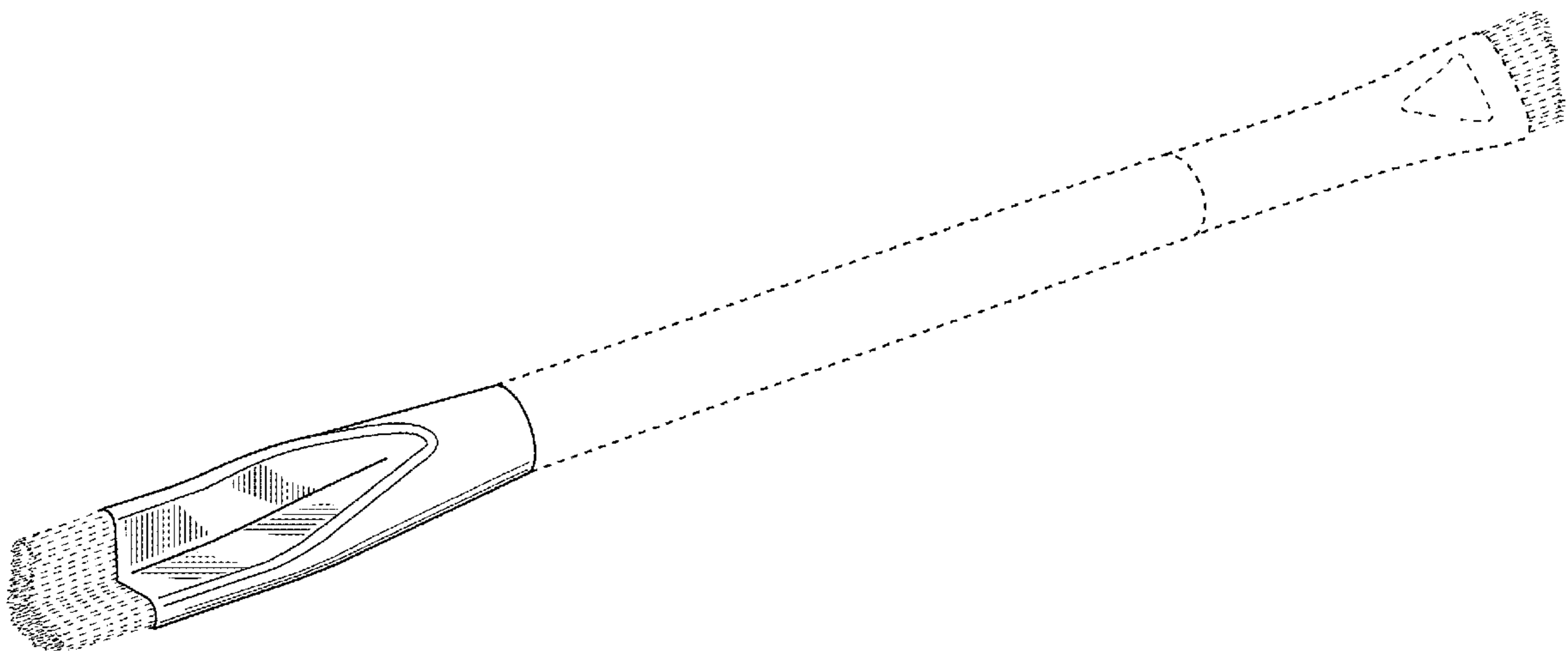
(57) **CLAIM**

The ornamental design for a makeup applicator, as shown and described.

DESCRIPTION

FIG. 1 is a perspective view of a makeup applicator; FIG. 2 is a right side elevation view thereof; FIG. 3 is a front elevation view thereof; FIG. 4 is a left side elevation view thereof; FIG. 5 is a rear elevation view thereof; FIG. 6 is a top plan view thereof; and, FIG. 7 is a bottom plan view thereof. In the drawings, the broken lines are for the purpose of illustrating environment only and form no part of the claimed design.

1 Claim, 3 Drawing Sheets



(56)

References Cited

U.S. PATENT DOCUMENTS

D751,824	S	*	3/2016	Childs	D4/135
D756,127	S	*	5/2016	Nicoline	D28/7
9,326,644	B2	*	5/2016	Makar	A47K 7/028
D758,742	S	*	6/2016	Nicoline	D4/138
D761,568	S	*	7/2016	Harrington	D4/138
D772,580	S	*	11/2016	Harrington	D4/138
D776,941	S	*	1/2017	Nicoline	D4/138
D778,056	S	*	2/2017	Wada	D4/101
2009/0038094	A1		2/2009	Kim		
2014/0037364	A1		2/2014	Hartstock et al.		
2015/0083158	A1		3/2015	Abraham et al.		

* cited by examiner

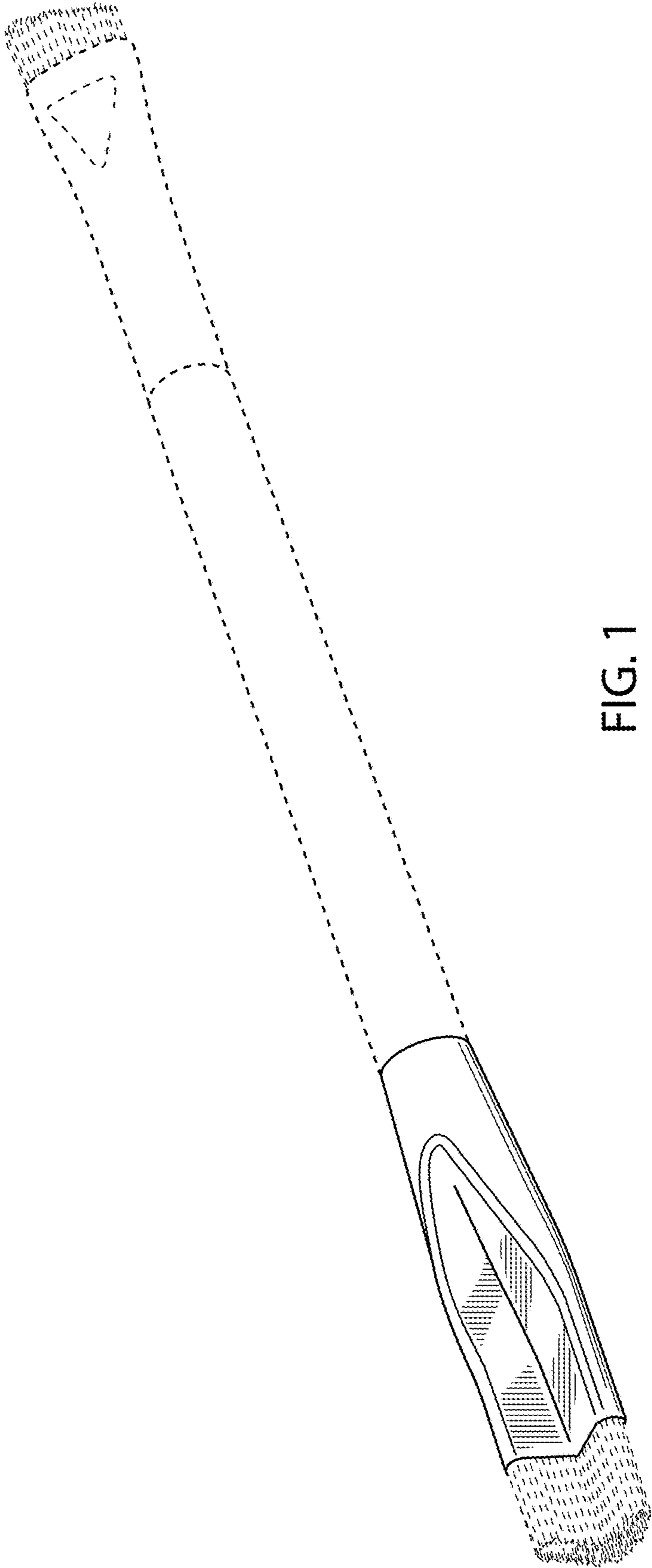


FIG. 1

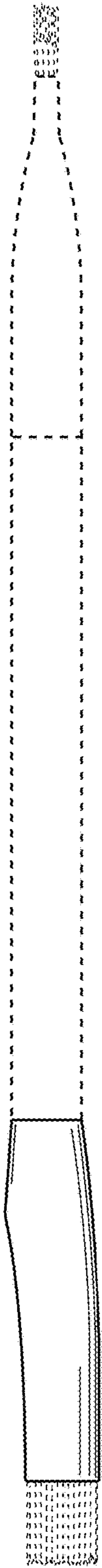


FIG. 2

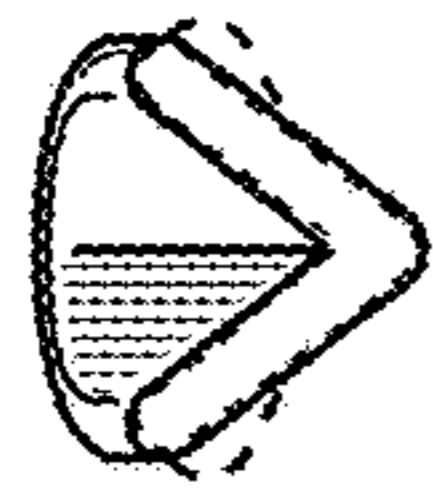


FIG. 3

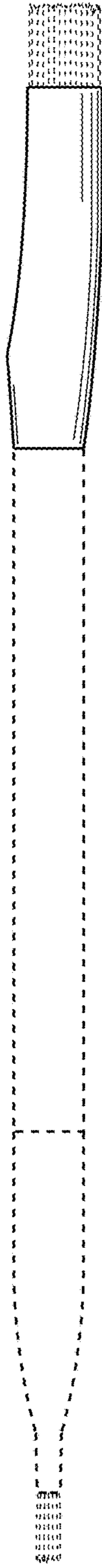


FIG. 4



FIG. 5

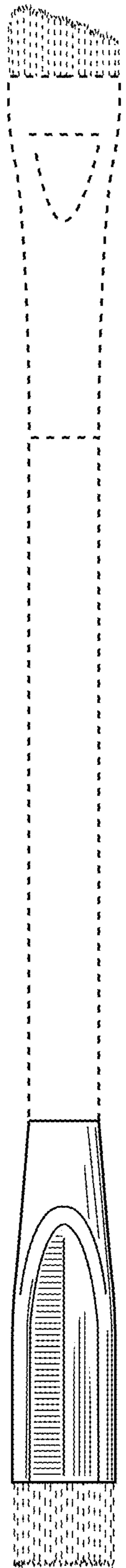


FIG. 6

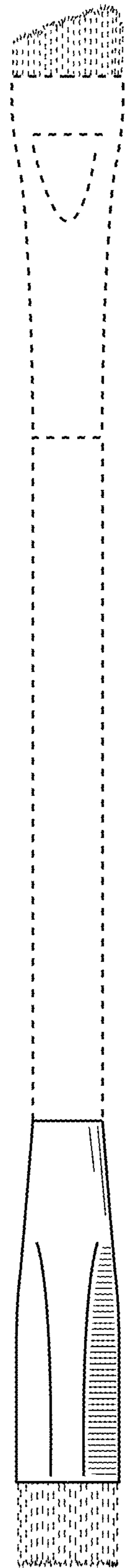


FIG. 7