



US00D798059S

(12) **United States Design Patent**  
**Huy et al.**

(10) **Patent No.:** **US D798,059 S**

(45) **Date of Patent:** **\*\* Sep. 26, 2017**

- (54) **BRISTLE SUPPORT PLATE FOR TOOTHBRUSH**
- (71) Applicant: **Church & Dwight, Co., Inc.**, Princeton, NJ (US)
- (72) Inventors: **Gerhart P. Huy**, Hamilton Square, NJ (US); **Matthew Kwang**, Old Bridge, NJ (US); **Clark F. Bow**, Dandridge, TN (US)
- (73) Assignee: **Church & Dwight Co., Inc.**, Princeton, NJ (US)
- (\*\*) Term: **14 Years**
- (21) Appl. No.: **29/513,183**
- (22) Filed: **Dec. 29, 2014**
- (51) **LOC (10) Cl.** ..... **04-02**
- (52) **U.S. Cl.**  
USPC ..... **D4/101**
- (58) **Field of Classification Search**  
USPC ..... D4/102, 127, 128, 138, 101, 104, 105, D4/109, 110, 111; D24/200, 214, 215; D28/13; 15/167.1, 167.2, 176.1  
CPC ..... A46B 3/22; A46B 5/0095; A46B 5/021; A46B 9/026; A46B 15/0036; A46B 15/0097; A46B 2200/102; A46B 2200/1066; A61C 17/222  
See application file for complete search history.

(56) **References Cited**

**U.S. PATENT DOCUMENTS**

- 2,770,277 A \* 11/1956 Poupitch ..... F16B 39/26 411/134
- D191,184 S \* 8/1961 Scholz ..... D23/261
- D196,127 S \* 8/1963 Wilson ..... D8/358
- D270,048 S \* 8/1983 Bytheway ..... D12/124
- D296,900 S \* 7/1988 Randolph ..... D15/148

- 4,756,203 A \* 7/1988 Matsuda ..... D05B 35/064 74/393
  - 4,838,843 A \* 6/1989 Westhoff ..... B29D 29/08 474/205
  - 5,037,356 A \* 8/1991 Gladczak ..... F16H 55/12 474/902
  - D372,692 S \* 8/1996 Thomason ..... D12/123
  - D396,436 S \* 7/1998 Liska ..... D12/123
  - D397,966 S \* 9/1998 Chang ..... D12/123
  - 6,146,299 A \* 11/2000 Harvey ..... F16H 55/12 474/95
  - D482,847 S \* 12/2003 Lee ..... D2/869
  - D493,947 S \* 8/2004 Carmody ..... D2/869
- (Continued)

*Primary Examiner* — Karen E Eldridge Powers

(74) *Attorney, Agent, or Firm* — Church & Dwight Co., Inc.

(57) **CLAIM**

We claim the ornamental design for a bristle support plate for toothbrush, as shown and described.

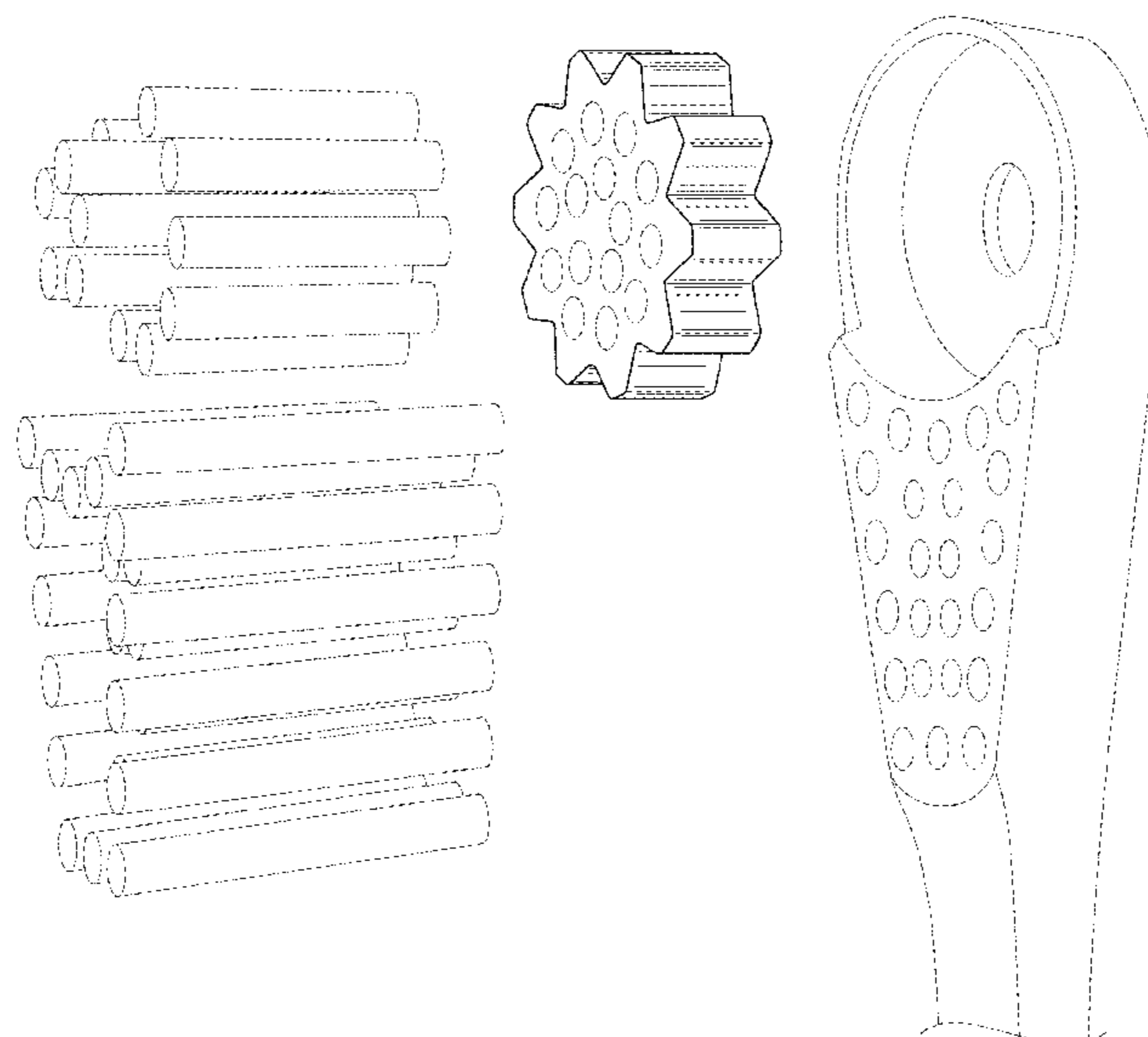
**DESCRIPTION**

FIG. 1 is an exploded perspective view of an assembly for a toothbrush head showing the rotating bristle support plate; FIG. 2 is a bottom plan view of a toothbrush head containing the rotating bristle support plate; FIG. 3 is a side elevation view of a toothbrush head containing the rotating bristle support plate; FIG. 4 is an opposite side elevation view of a toothbrush head containing the rotating bristle support plate; and, FIG. 5 is a front elevation view of a toothbrush head containing the rotating bristle support plate.

The broken lines in the drawings illustrate environmental structure, and form no part of the claimed design.

The circles shown in broken lines on the bristle support plate illustrate the bounds of the claim and form no part of the claimed design.

**1 Claim, 5 Drawing Sheets**



(56)

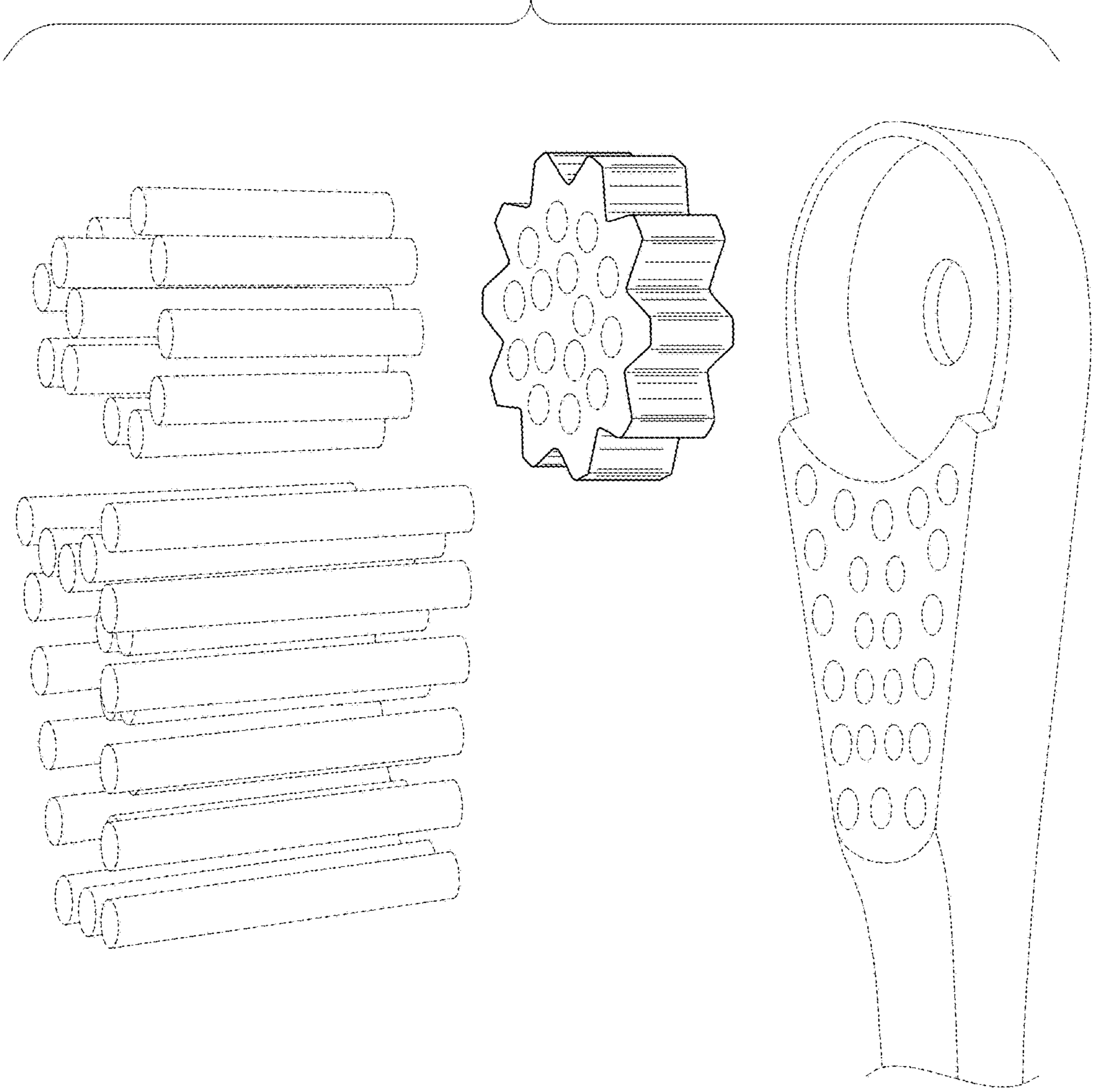
**References Cited**

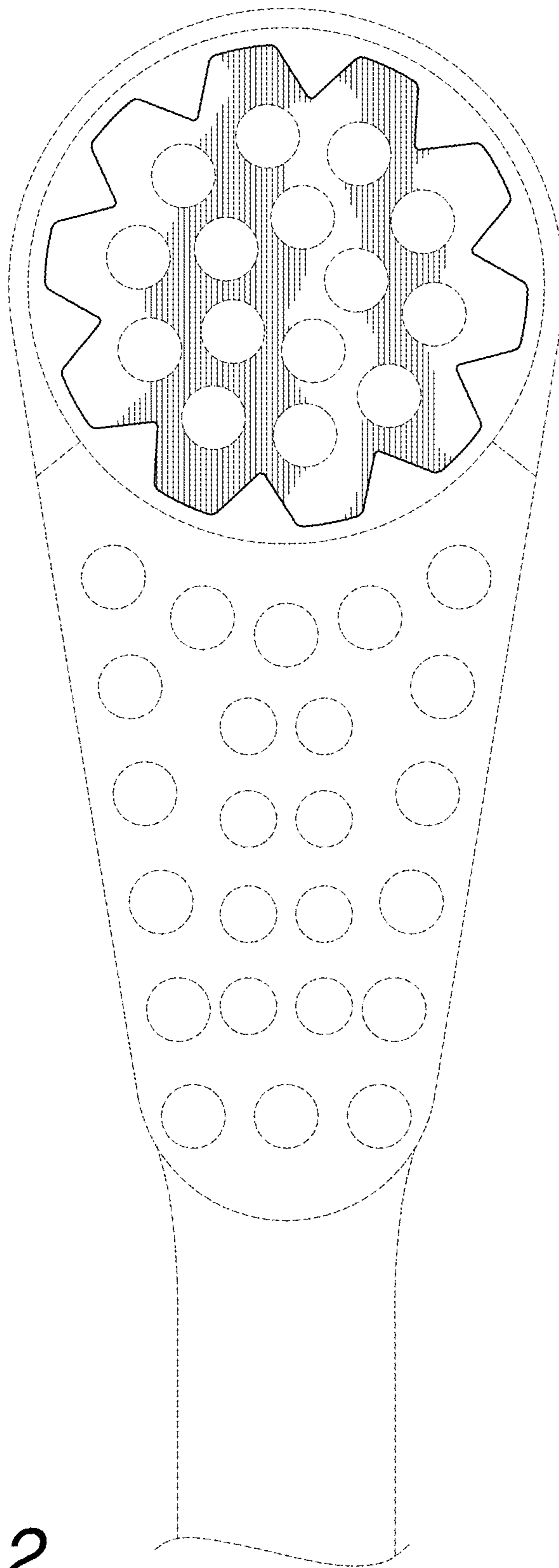
U.S. PATENT DOCUMENTS

6,899,651 B2 *	5/2005	Oertley .....	F16H 55/12 305/137
D527,245 S *	8/2006	Kelleghan .....	D8/356
D534,416 S *	1/2007	Kelleghan .....	D8/356
D571,192 S *	6/2008	Stomp .....	D8/356
D639,199 S *	6/2011	Liberman .....	D11/26
D706,604 S *	6/2014	Chen .....	D8/72
9,388,894 B2 *	7/2016	Van Der Ende .....	F16H 55/12
D765,551 S *	9/2016	Baker, Jr. ....	D12/123
D767,073 S *	9/2016	Dulisse .....	D22/108

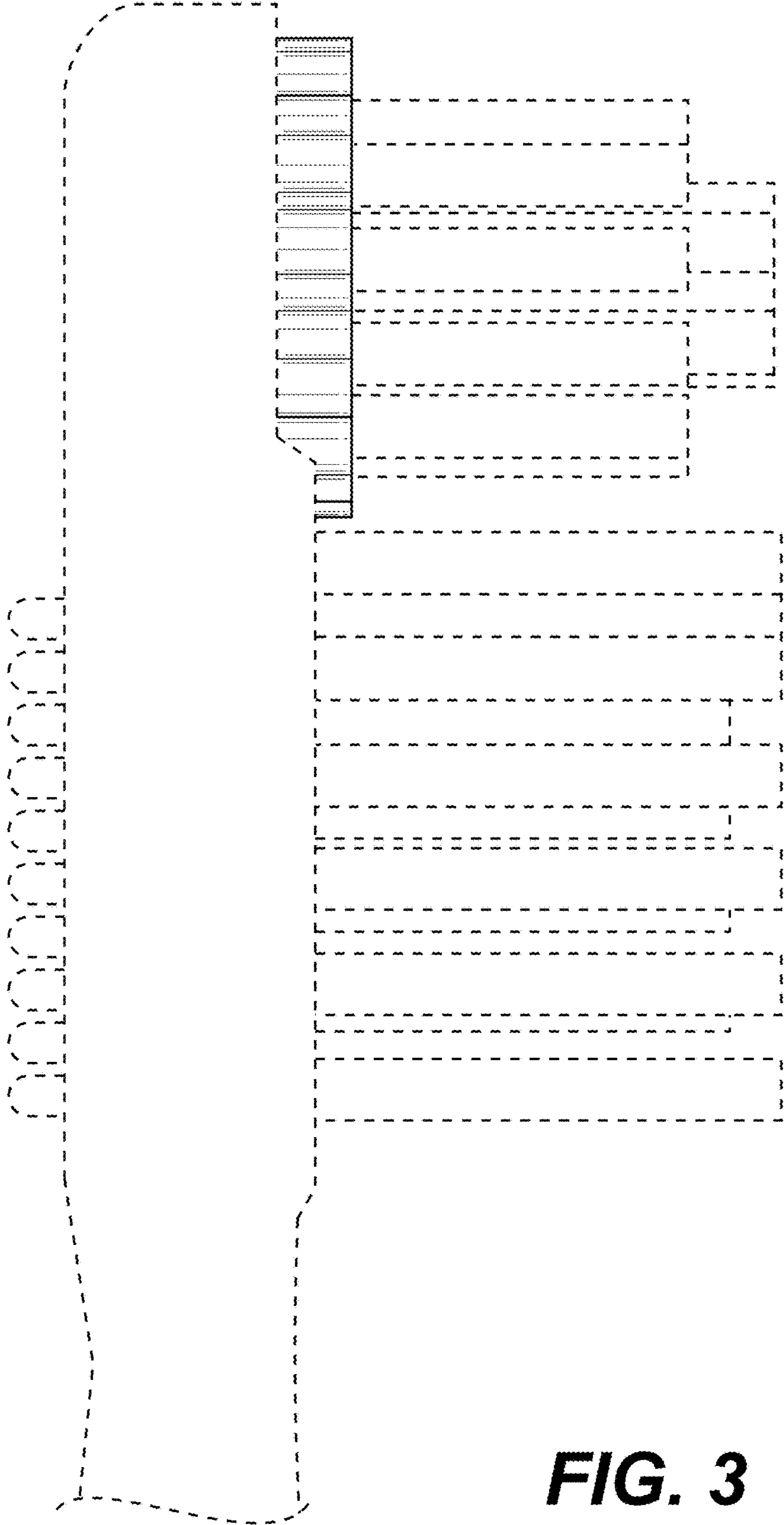
\* cited by examiner

FIG. 1



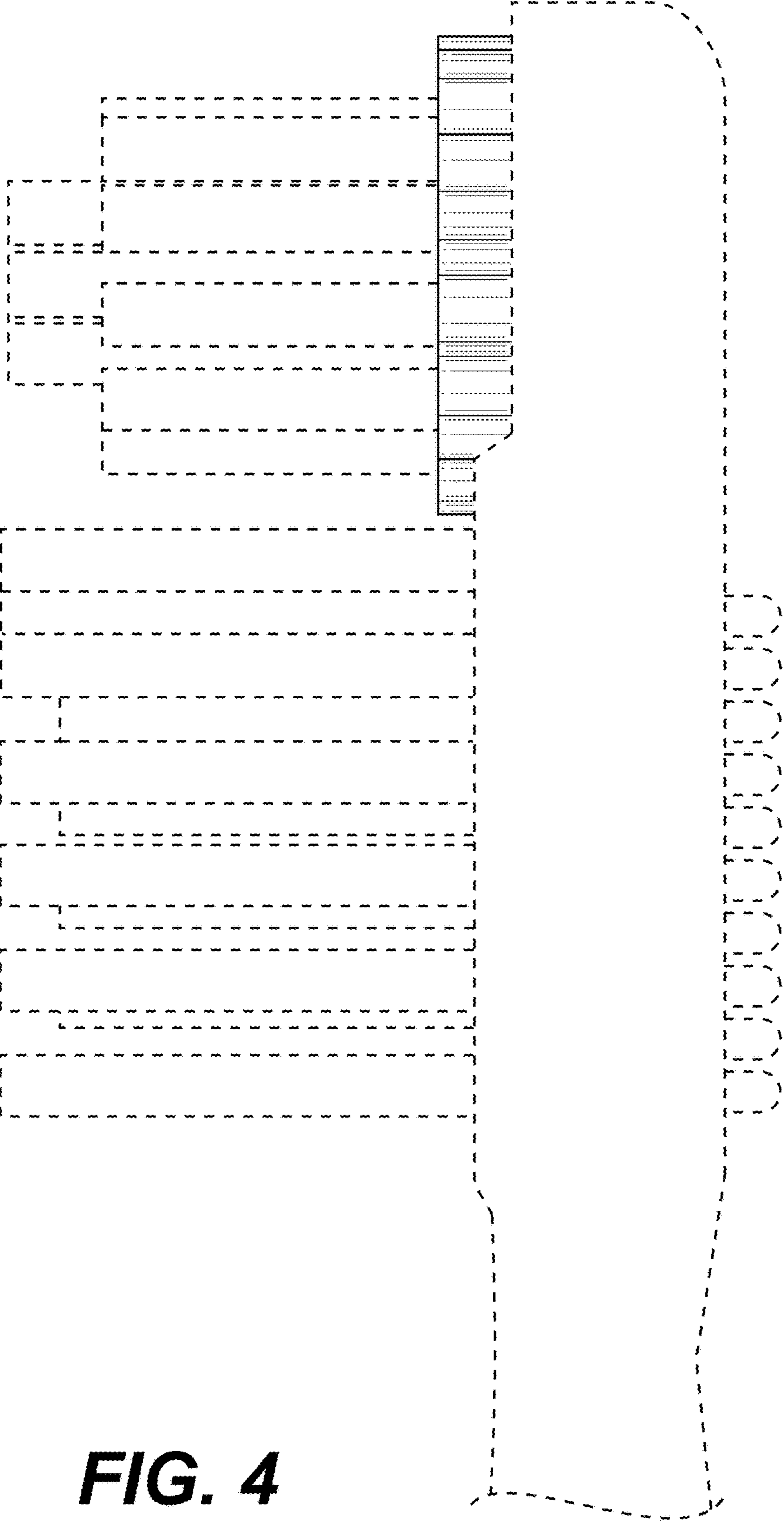


**FIG. 2**

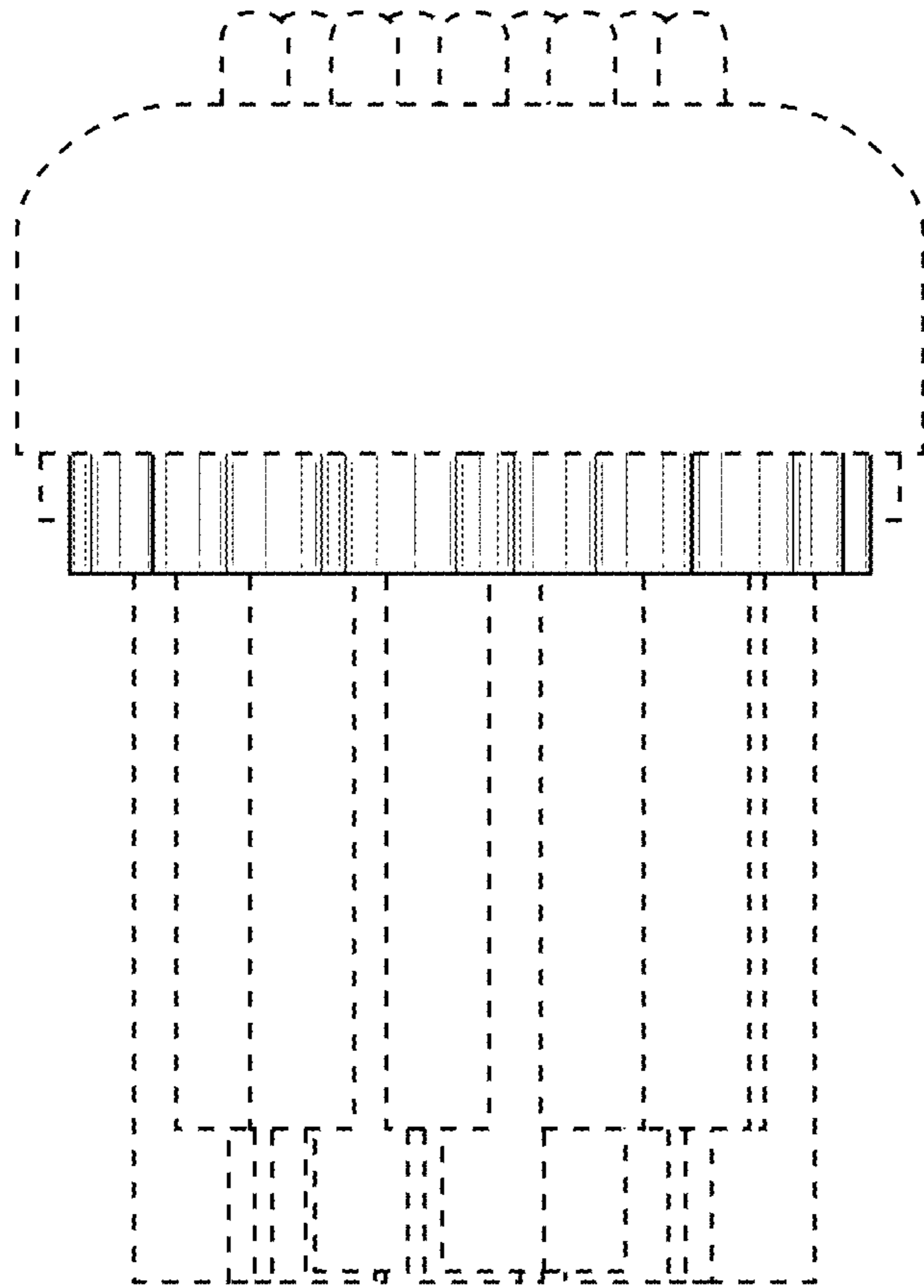


**FIG. 3**





**FIG. 4**



**FIG. 5**