



US00D798054S

(12) **United States Design Patent** (10) **Patent No.:** **US D798,054 S**
Shpitzer et al. (45) **Date of Patent:** **** Sep. 26, 2017**

(54) **TOOL BOX**
(71) Applicant: **The Stanley Works Israel Ltd.**, Rosh Ha' Ayin (IL)
(72) Inventors: **Yaron Shpitzer**, Rishon Le Tsiyon (IL); **Yosi Sabbag**, Holon (IL); **Mickey Menirom**, Raanana (IL)
(73) Assignee: **THE STANLEY WORKS ISRAEL LTD** (IL)
(**) Term: **15 Years**

D434,225 S *	11/2000	Story	D3/276
D600,912 S *	9/2009	Brunner	D3/291
D629,607 S *	12/2010	Sabbag	D3/282
D668,048 S *	10/2012	Vilkomirski	D3/281
D674,605 S *	1/2013	Vilkomirski	D3/281
D703,436 S *	4/2014	Sabbag	D3/281
D709,697 S *	7/2014	Brunner	D3/281
D710,103 S *	8/2014	Horovitz	D3/281
D718,934 S *	12/2014	Lin	D3/281
D724,320 S *	3/2015	Russell	D3/273
D738,105 S *	9/2015	Shitrit	D3/276
D744,750 S *	12/2015	Sabbag	D3/281
D753,396 S *	4/2016	Brunner	D3/281
2011/0181008 A1 *	7/2011	Bensman	B25H 3/026 280/47.26

(21) Appl. No.: **29/536,566**
(22) Filed: **Aug. 18, 2015**
(30) **Foreign Application Priority Data**
Feb. 20, 2015 (EM) 002638452
(51) **LOC (10) Cl.** **03-01**
(52) **U.S. Cl.**
USPC **D3/283; D3/905**
(58) **Field of Classification Search**
USPC D3/905, 276, 279-284, 291, 294, 295,
D3/298, 901, 302, 272, 273, 274, 903
CPC . B25H 3/02-3/028; B25H 3/00; B25H 3/003;
B25H 3/006
See application file for complete search history.

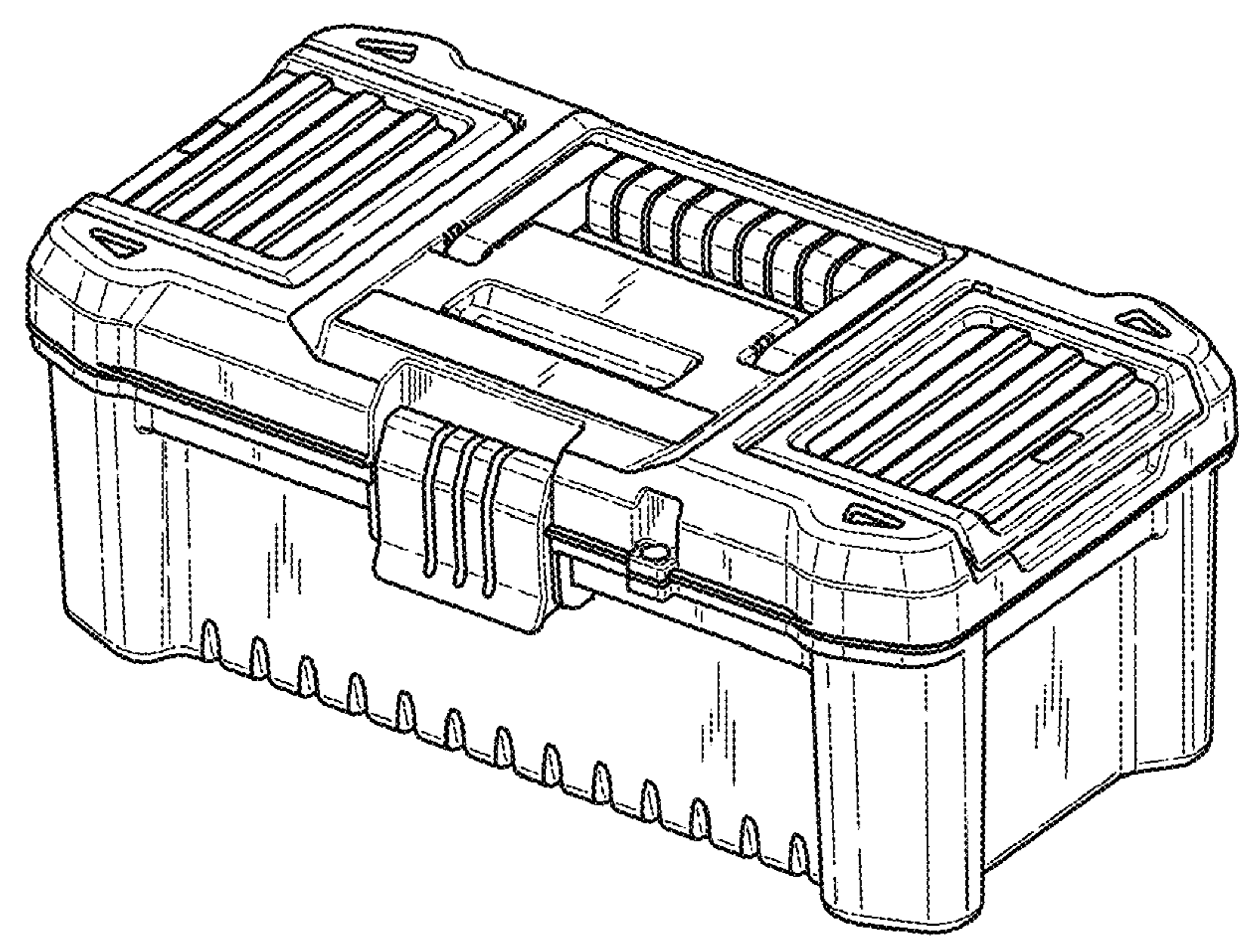
* cited by examiner
Primary Examiner — Jennifer Rivard
Assistant Examiner — April Rivas
(74) *Attorney, Agent, or Firm* — Carl E. Myers

(56) **References Cited**
U.S. PATENT DOCUMENTS
D328,818 S * 8/1992 Hanna D3/281
D330,329 S * 10/1992 Brightbill D3/302
D378,874 S * 4/1997 Dickinson D3/281

(57) **CLAIM**
The ornamental design for a tool box, as shown and described.

DESCRIPTION
FIG. 1 is a perspective view of a of our new design.
FIG. 2 is a front view thereof.
FIG. 3 is a back view thereof.
FIG. 4 is a left side view thereof.
FIG. 5 is a right side view thereof.
FIG. 6 is a top view thereof; and,
FIG. 7 is a bottom view thereof.
The broken lines illustrate portions of the tool box and form no part of the claimed design.

1 Claim, 7 Drawing Sheets



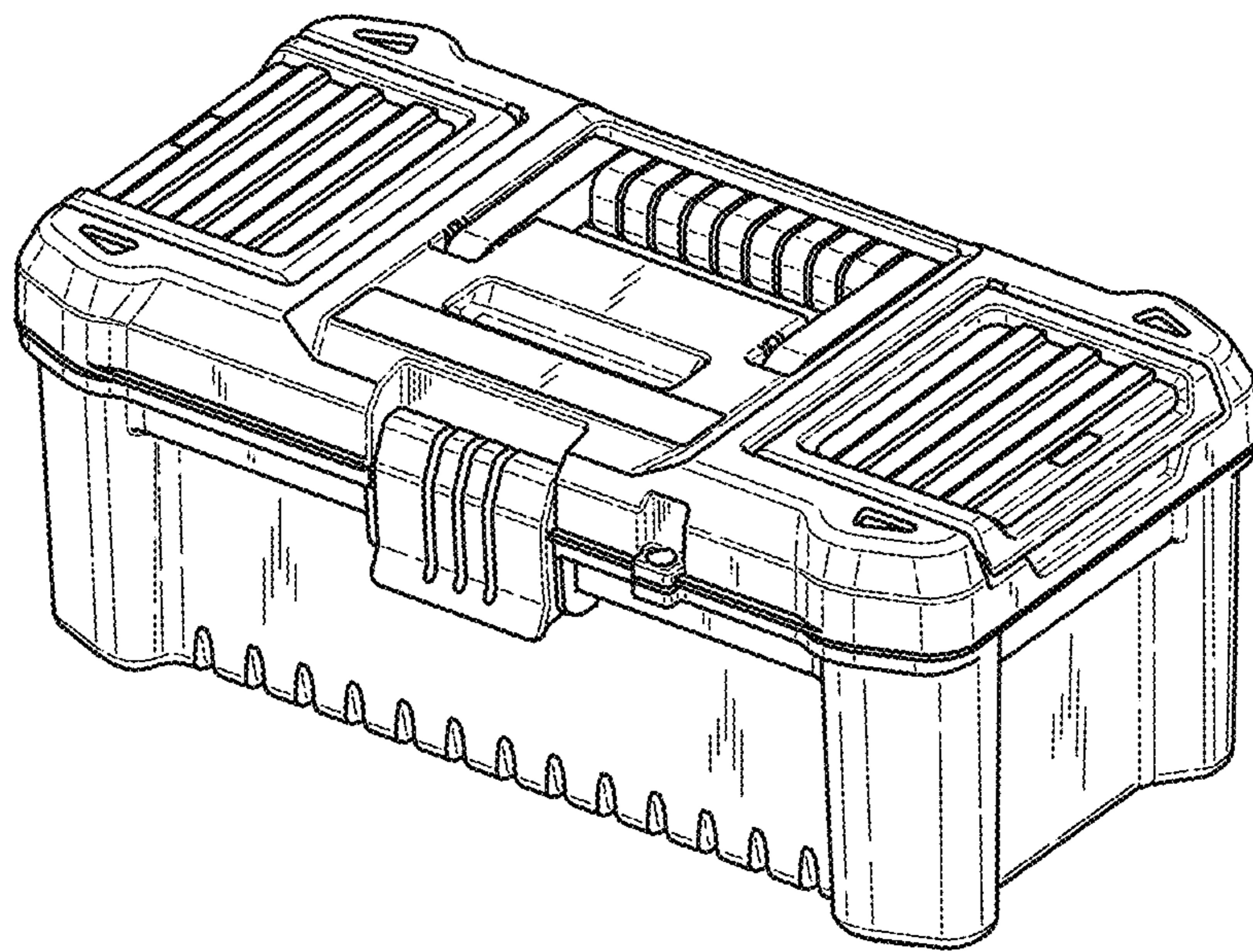


Fig. 1

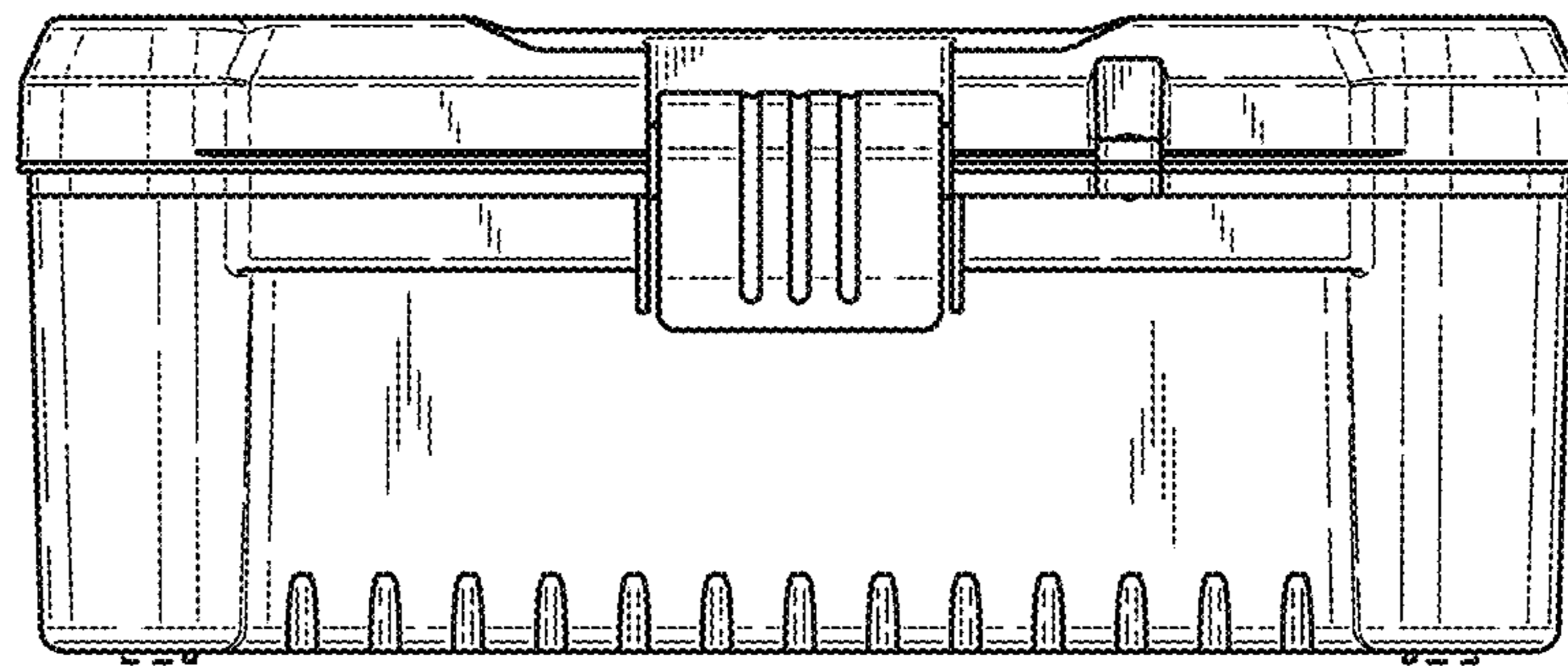


Fig. 2

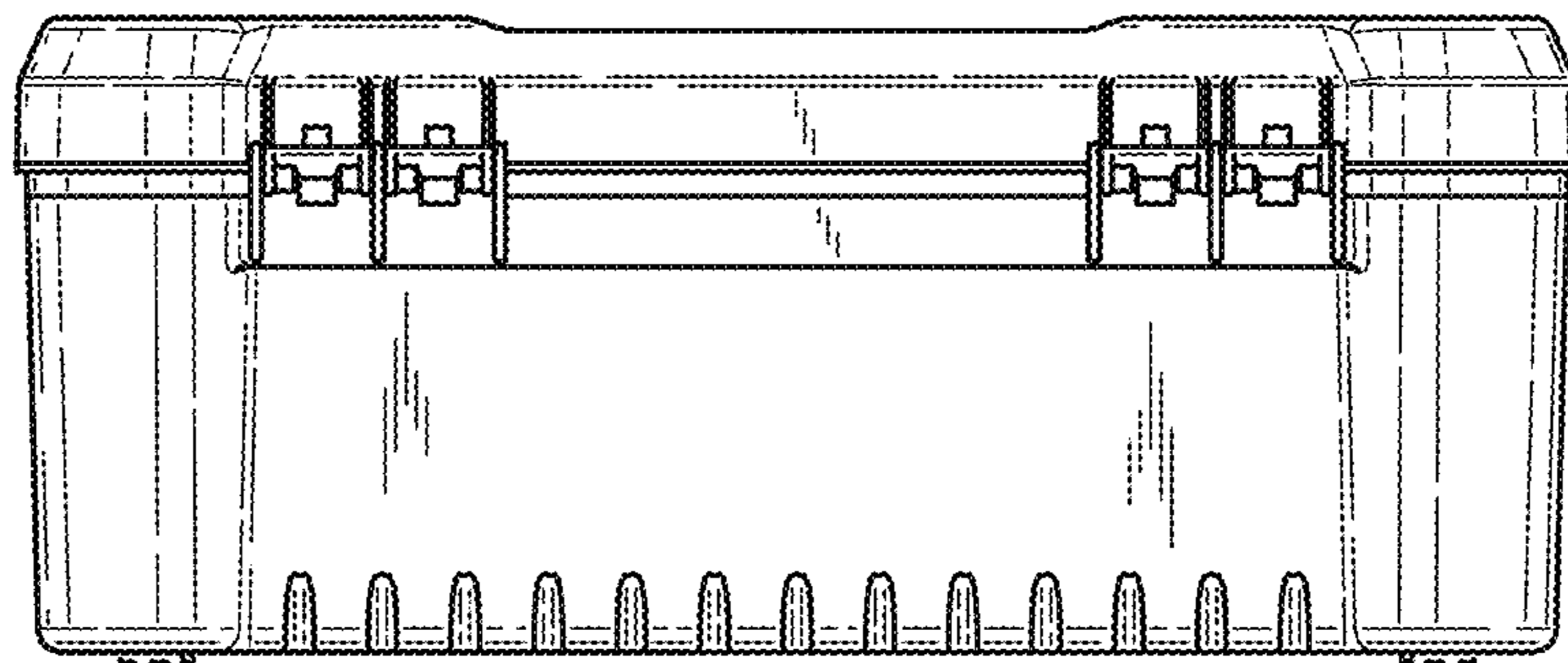


Fig. 3

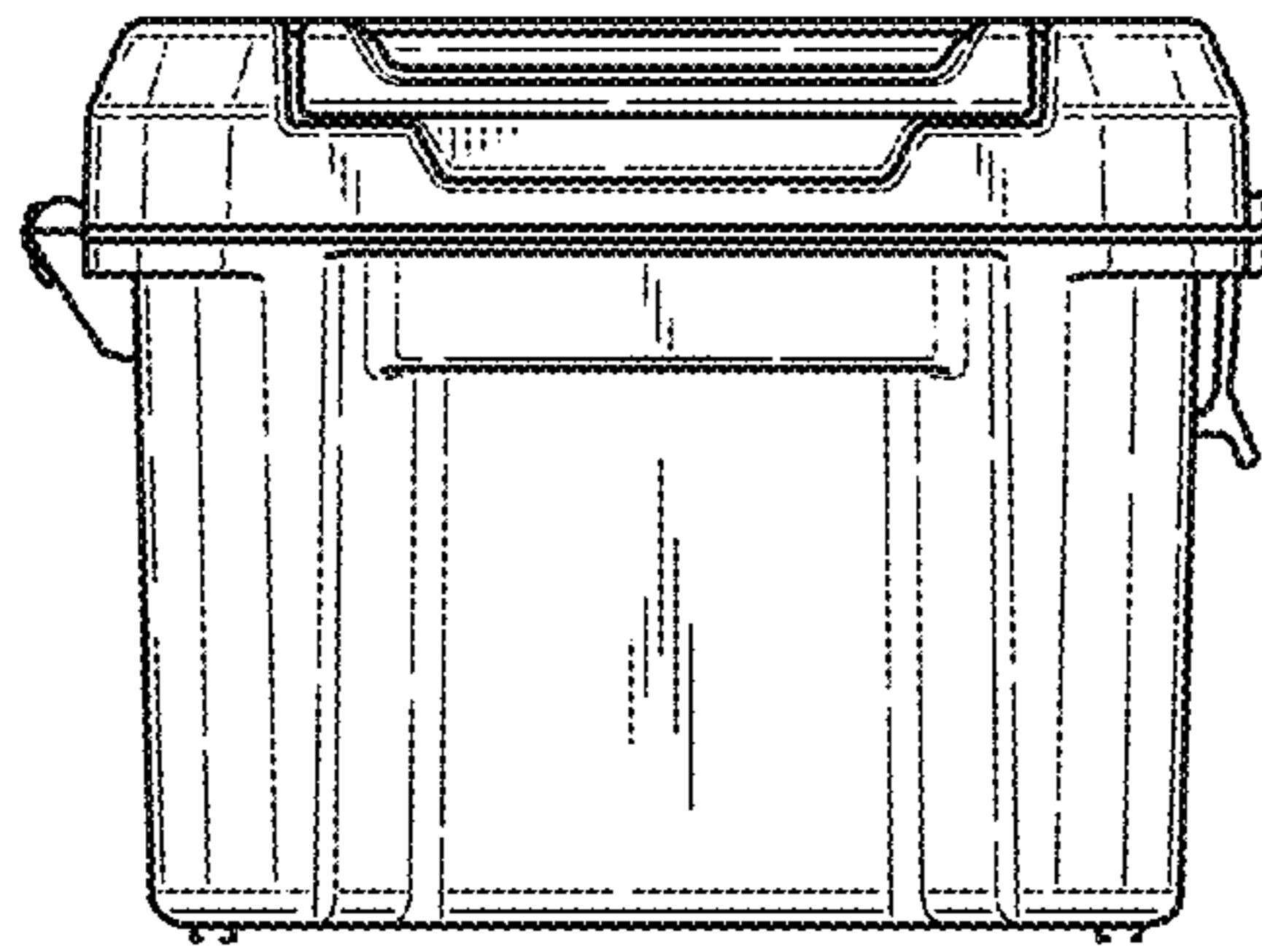


Fig. 4

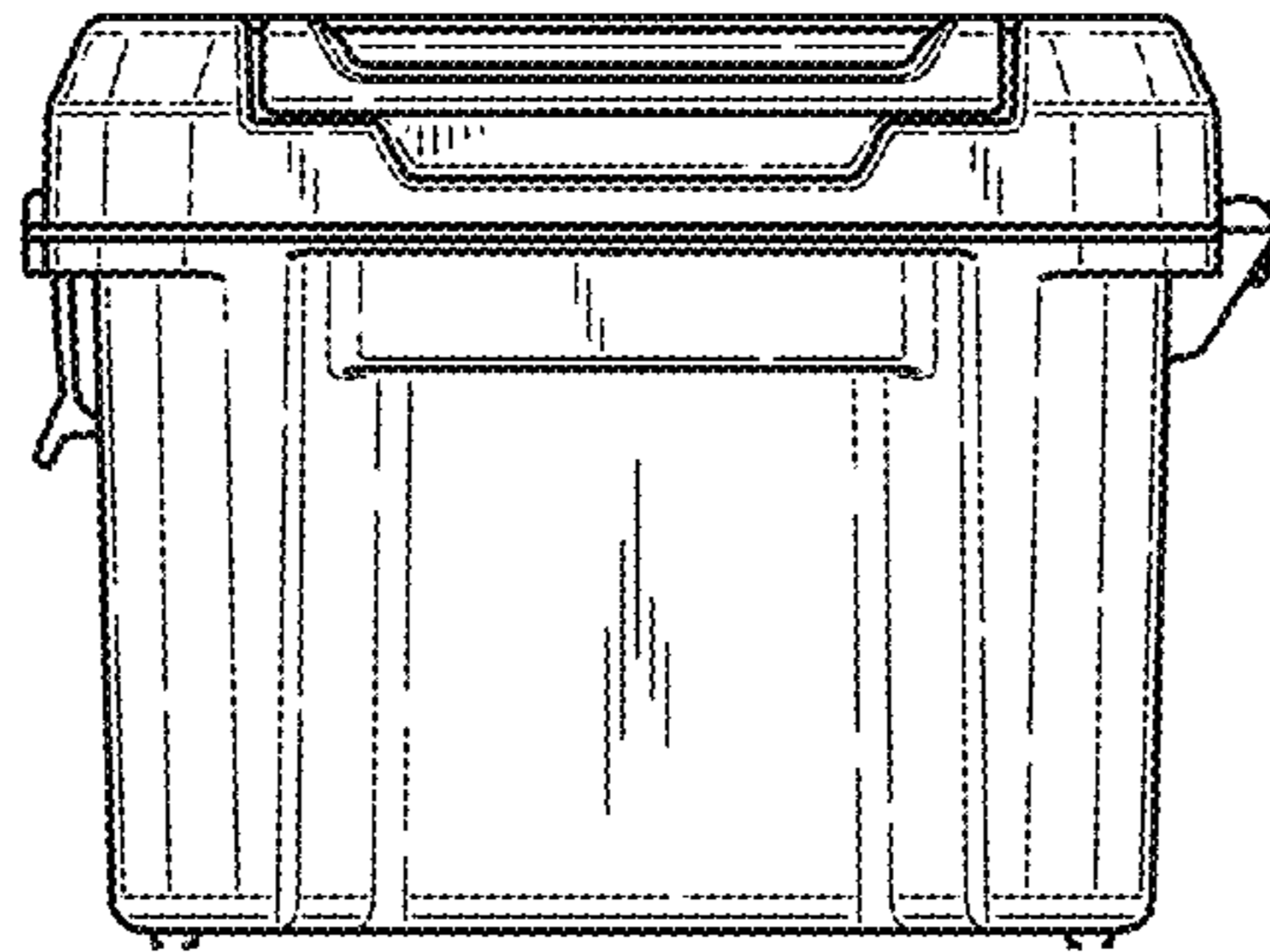


Fig. 5

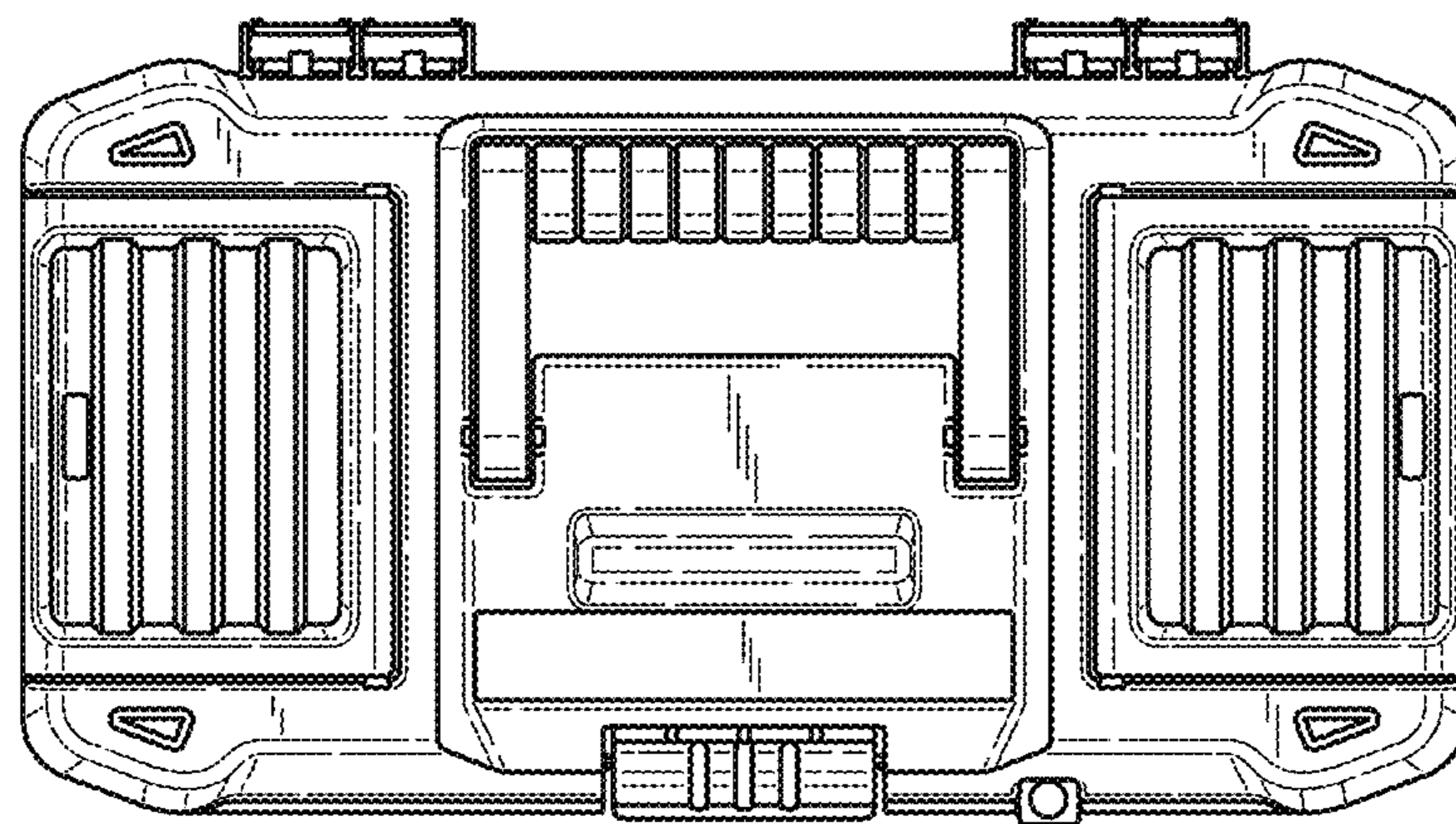


Fig. 6

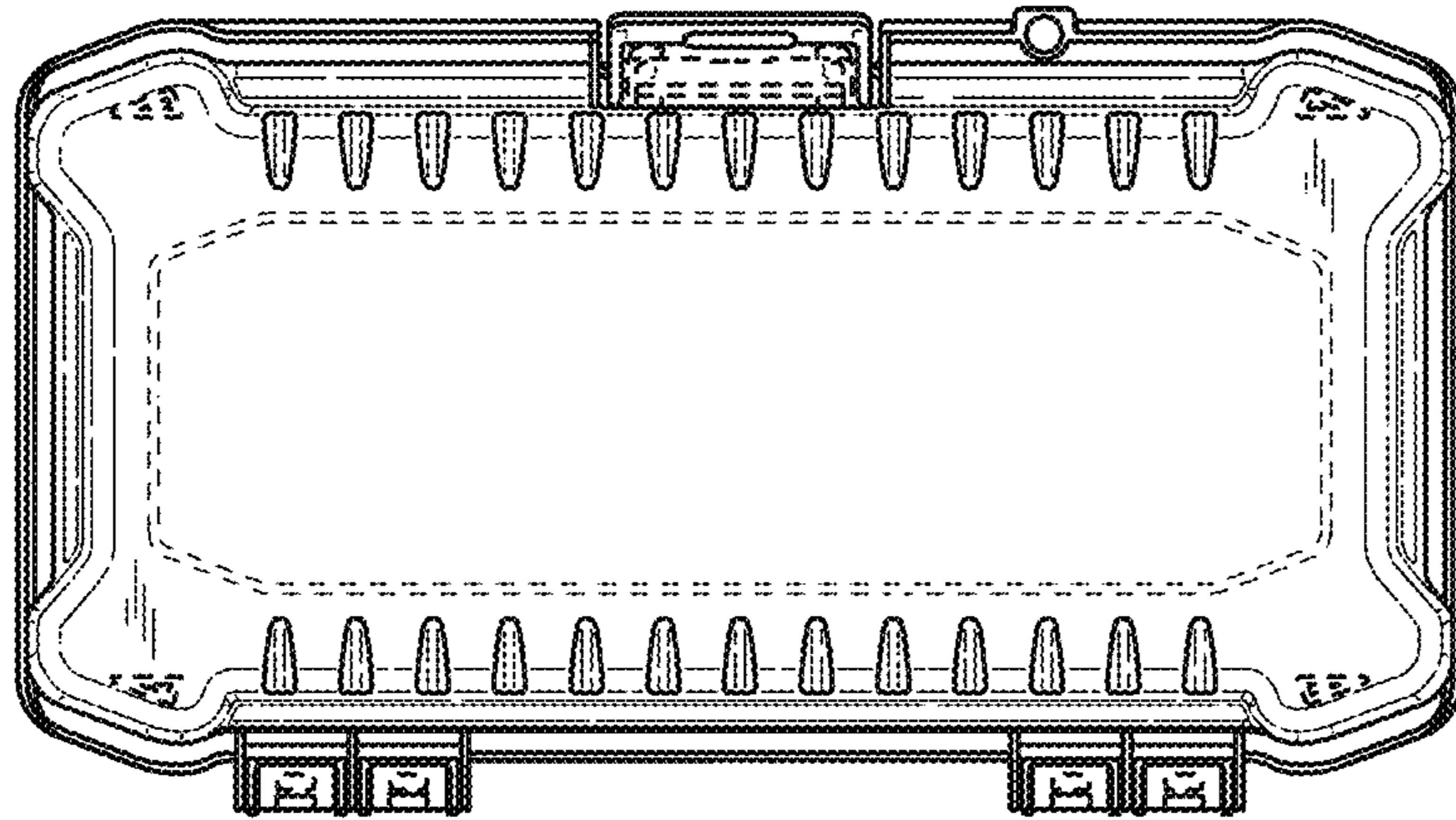


Fig. 7