



US00D798052S

(12) **United States Design Patent** (10) **Patent No.:** **US D798,052 S**
Koutsolioutsos (45) **Date of Patent:** **** Sep. 26, 2017**

(54) **WALLET**
(71) Applicant: **Folli-Follie Commercial Manufacturing and Technical Societe Anonyme, Athens (GR)**
(72) Inventor: **Dimitrios Koutsolioutsos, Attica (GR)**
(73) Assignee: **Folli-Follie Commercial Manufacturing and Technical Societe Anonyme, Athens (GR)**

D247,930 S * 5/1978 Glaser D3/245
D283,938 S * 5/1986 Strongwater D3/245
D383,903 S * 9/1997 Kopel D3/233
D395,750 S * 7/1998 Dominique D3/226
D418,975 S * 1/2000 Nastasi D3/232
D439,040 S * 3/2001 Vazquez D3/233
D496,786 S * 10/2004 Wolf D3/215
D528,295 S * 9/2006 Harvey D3/252
D546,555 S * 7/2007 Oner D3/215
D582,156 S * 12/2008 Gonzalez D3/245
D584,895 S * 1/2009 Holzner D3/247
D609,457 S * 2/2010 Blanford D3/208
D703,433 S * 4/2014 Morszeck D3/247

(**) Term: **15 Years**

* cited by examiner

(21) Appl. No.: **29/532,424**

Primary Examiner — Susan E Krakower

(22) Filed: **Jul. 7, 2015**

Assistant Examiner — Lisa A Grabenstetter

(51) **LOC (10) Cl.** **03-01**

(74) *Attorney, Agent, or Firm* — Fredrikson & Byron, P.A.

(52) **U.S. Cl.**

USPC **D3/252**

(58) **Field of Classification Search**

USPC D3/20, 203.6, 205, 206, 208, 226, 232, D3/245, 247–253, 303, 324

CPC A45C 1/06; A45C 3/08

See application file for complete search history.

(57) **CLAIM**

I claim the ornamental design for a wallet, as shown and described.

DESCRIPTION

(56) **References Cited**

U.S. PATENT DOCUMENTS

1,494,445 A * 5/1924 Schramm A45D 33/26
132/301
1,600,633 A * 9/1926 Hildebrand A45C 1/02
150/150
D114,351 S * 4/1939 Steinman 150/143
D126,349 S * 4/1941 Morris D3/245
D141,986 S * 8/1945 Rubin D3/245
2,470,367 A * 5/1949 Palma A45C 1/02
150/106
D220,022 S * 2/1971 White D3/250

FIG. 1 is a front perspective view of a wallet, showing my new design.

FIG. 2 is a front view thereof;

FIG. 3 is a rear view thereof;

FIG. 4 is a top view thereof;

FIG. 5 is a bottom view thereof;

FIG. 6 is a first side view thereof; and,

FIG. 7 is an opposite side view thereof.

The broken lines represent unclaimed stitching.

1 Claim, 7 Drawing Sheets

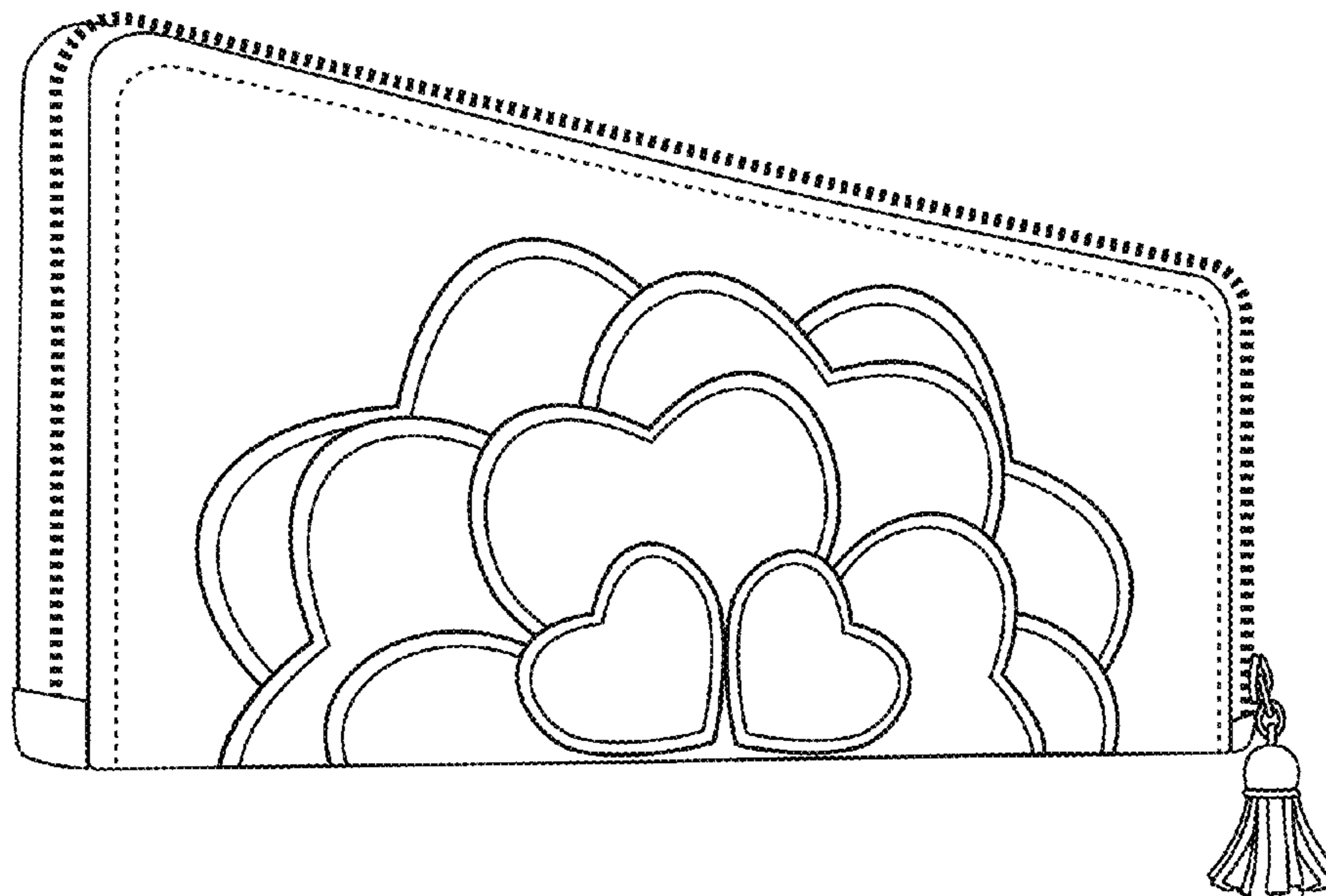


Fig. 1

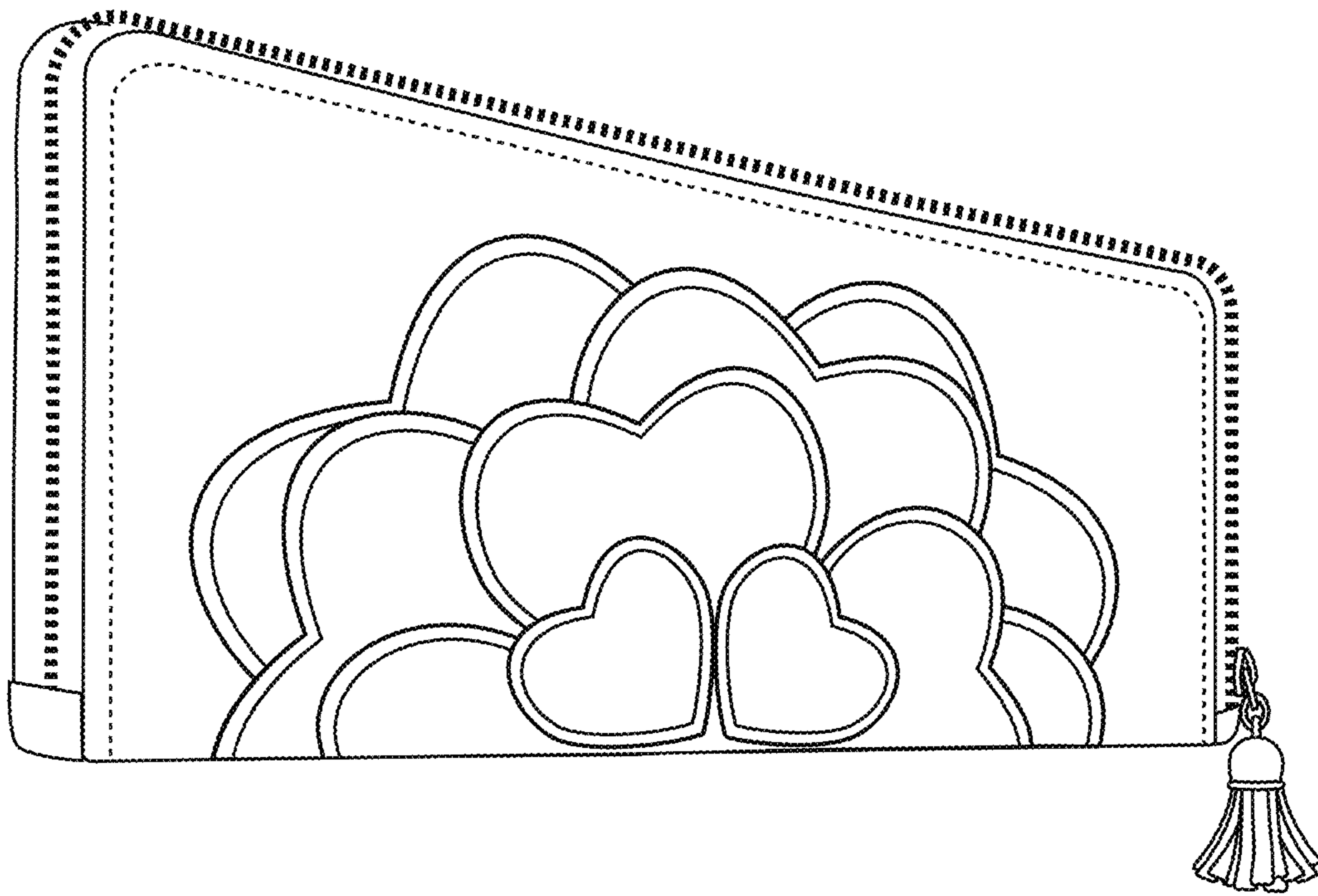


Fig.2

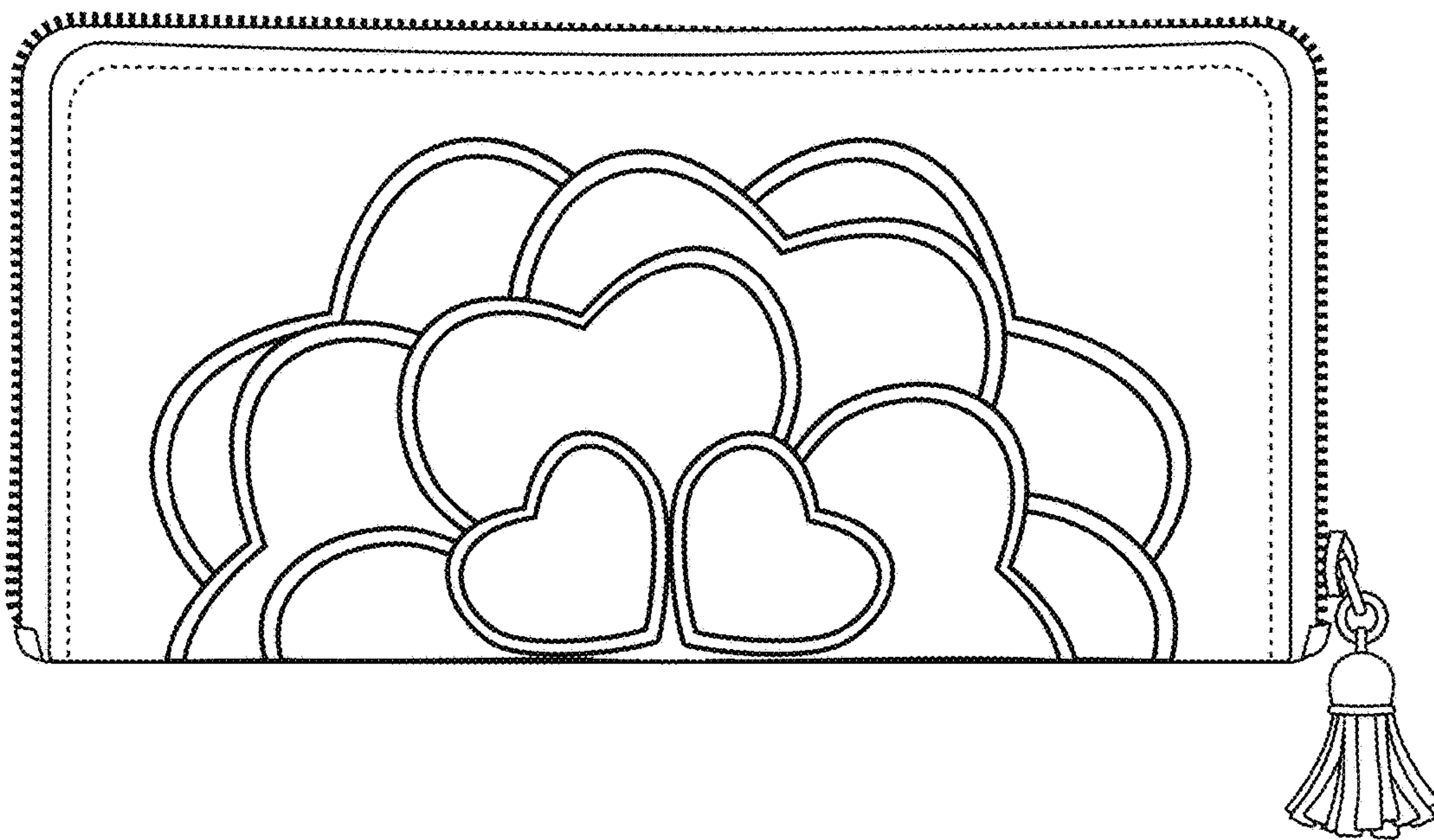


Fig. 3

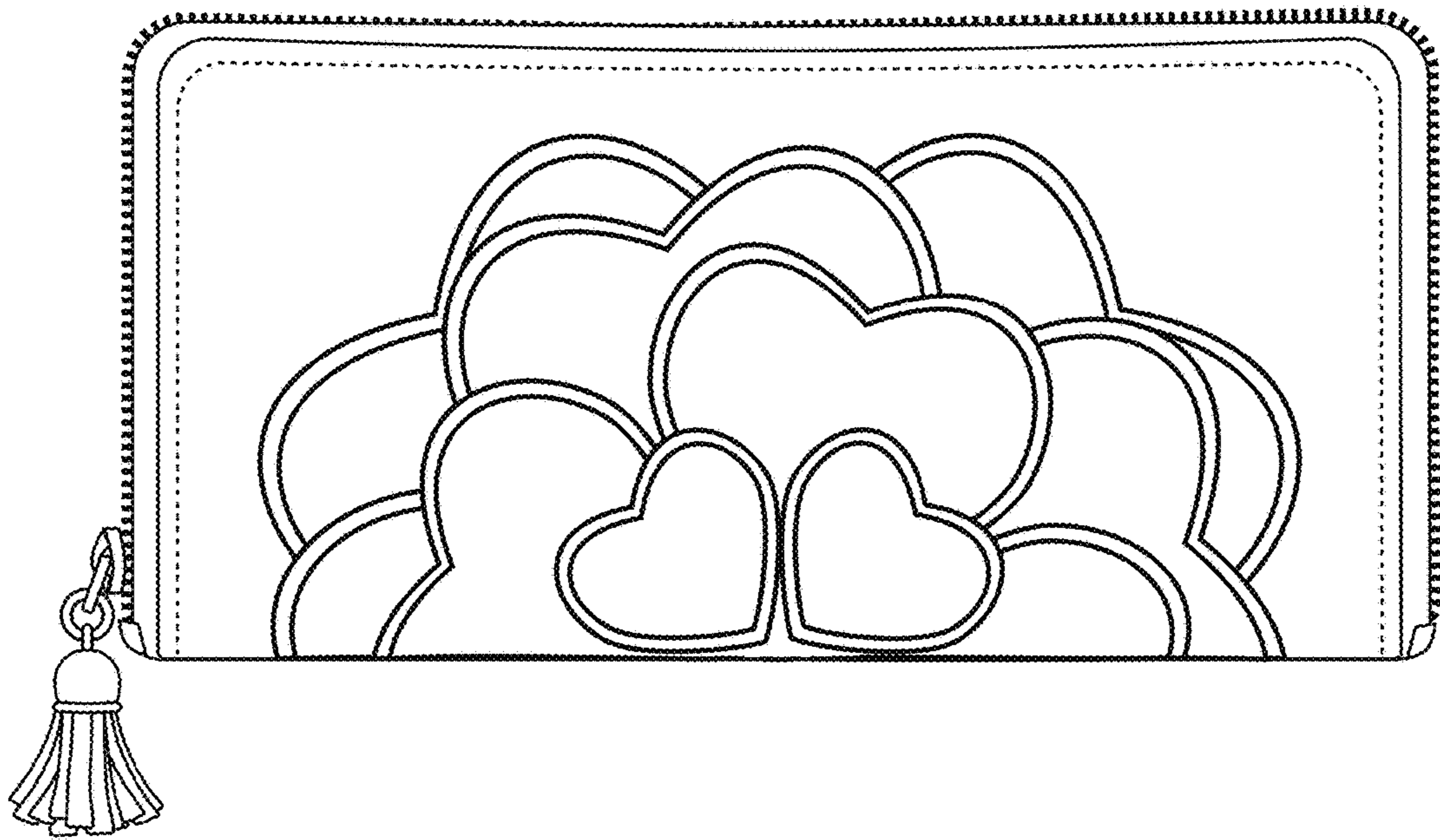


Fig.4

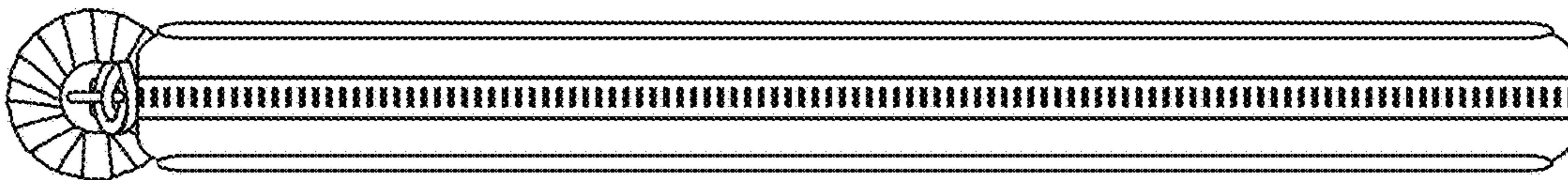


Fig.5



Fig.6

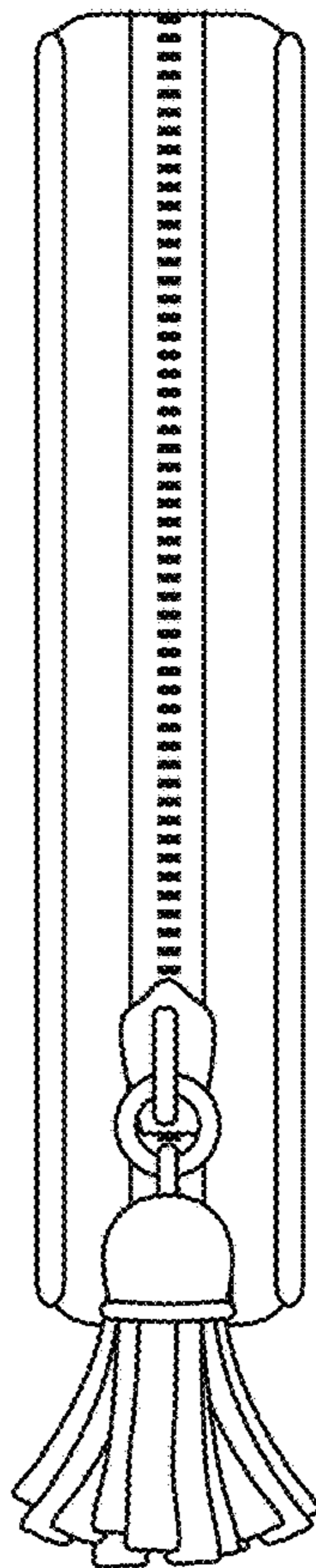


Fig. 7

